



US00D902686S

(12) **United States Design Patent** (10) **Patent No.:** **US D902,686 S**
Prezner (45) **Date of Patent:** **** Nov. 24, 2020**

(54) **HANDLE**

(71) Applicant: **Ronald Prezner**, Valhalla, NY (US)

(72) Inventor: **Ronald Prezner**, Valhalla, NY (US)

(73) Assignee: **Decorative Hardware Studio, Inc.**,
Chappaqua, NY (US)

(**) Term: **15 Years**

(21) Appl. No.: **29/729,715**

(22) Filed: **Mar. 30, 2020**

(51) **LOC (12) Cl.** **08-06**

(52) **U.S. Cl.**
USPC **D8/308**

(58) **Field of Classification Search**
USPC D8/300-302, 307-309; D23/250, 252;
D7/393

CPC Y10T 16/44; Y10T 74/20612; Y10T
74/20732; Y10T 16/458; Y10T 16/498;
Y10T 16/469; Y10T 16/476; Y10T
74/20744; Y10T 74/20864; Y10T
16/4628; Y10T 74/20642; Y10T 16/473;
Y10T 74/20762; Y10T 74/2042; Y10T
74/20828; Y10T 16/459; Y10T 16/4713;
Y10T 74/2014; Y10T 16/50; Y10T
74/20438; Y10T 74/20582; Y10T
74/20738; Y10T 16/48; Y10T 74/20618;
Y10T 74/20684; Y10T 74/20624; Y10T
74/20468; Y10T 16/61; Y10T 16/4719;
Y10T 16/86; Y10S 16/30; Y10S 292/31;
Y10S 292/53; Y10S 16/12; Y10S 292/23;
Y10S 292/27; Y10S 292/30; Y10S
292/63; E05B 85/16; E05B 1/0015; E05B
77/06; E05B 79/06; E05B 85/18; E05B
3/12; E05B 385/10; E05B 7/00; E05B
1/0053; E05B 77/265

See application file for complete search history.

(56) **References Cited**

U.S. PATENT DOCUMENTS

D283,785	S	*	5/1986	Belaiche	16/DIG. 12
D290,578	S	*	6/1987	Belaiche	D8/308
D299,109	S	*	12/1988	Jans	D23/252
D301,200	S	*	5/1989	Jans	D8/305
D504,309	S	*	4/2005	Fuchs	D6/523
D619,872	S	*	7/2010	Singtoroj	D8/308
D838,572	S	*	1/2019	Su	D8/301
D869,931	S	*	12/2019	Dulley	D8/308
2010/0019516	A1	*	1/2010	Williamson	E05B 15/02 292/336.3
2016/0002954	A1	*	1/2016	Ali	E05B 63/0056 292/336.3

* cited by examiner

Primary Examiner — Lauren R Calve

(74) *Attorney, Agent, or Firm* — Winthrop & Weinstine,
P.A.

(57) **CLAIM**

The ornamental design for a handle, as shown and described.

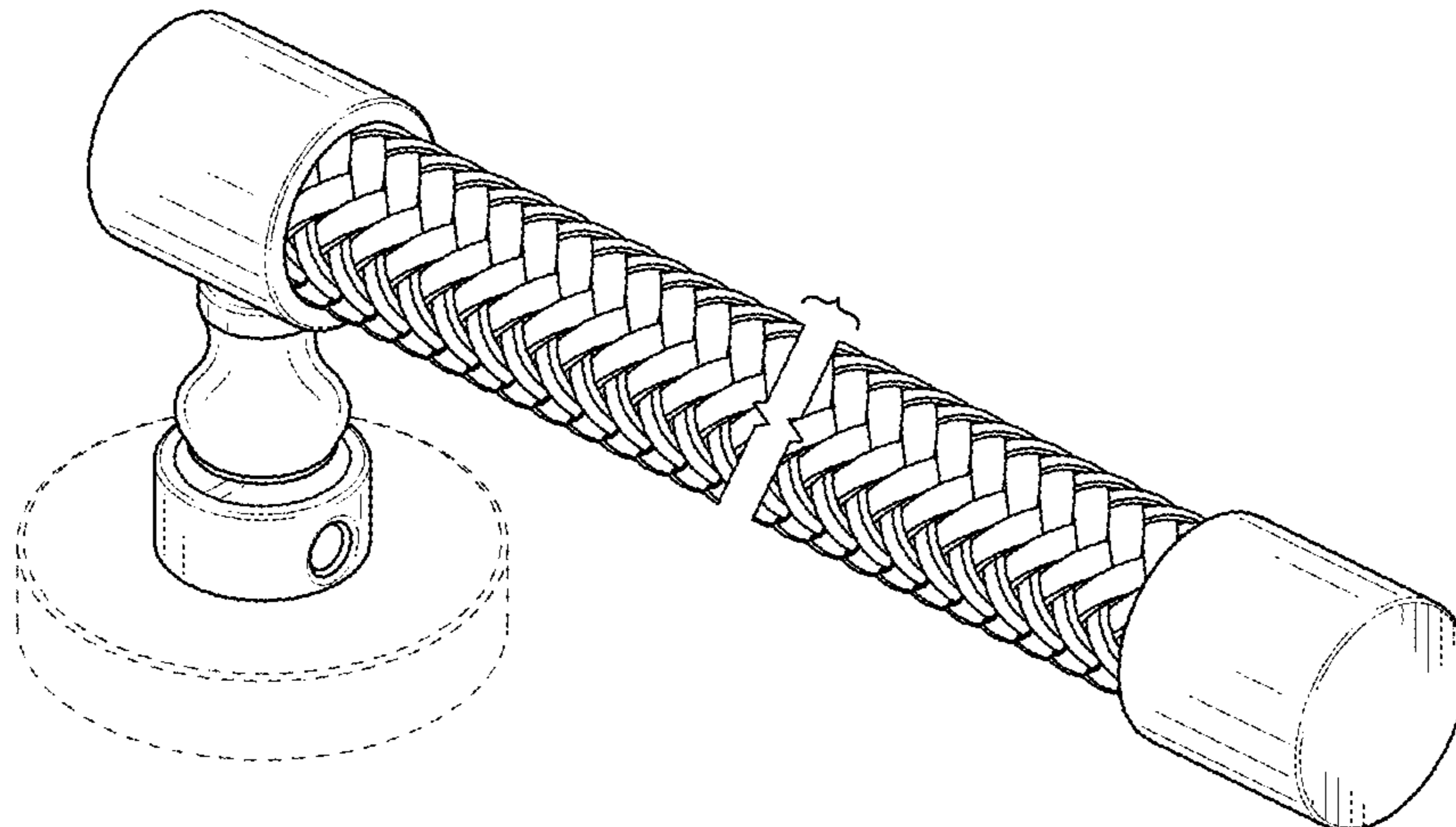
DESCRIPTION

FIG. 1 is a front isometric view of a handle in accordance with the present disclosure;
FIG. 2 is a front view thereof;
FIG. 3 is a back view thereof;
FIG. 4 is a left side view thereof;
FIG. 5 is a right side view thereof;
FIG. 6 is a top view thereof; and,
FIG. 7 is a bottom view thereof.

The claim is shown with a symbolic break in its length. The appearance of any portion of the article between the break lines forms no part of the claimed design.

The broken lines shown in the Figures are included for the purpose of illustrating features of the disclosed embodiments and form no part of the claimed design. The handle is

(Continued)



shown having a break and any portion of the design not shown in the drawings forms no part of the claimed design.

1 Claim, 4 Drawing Sheets

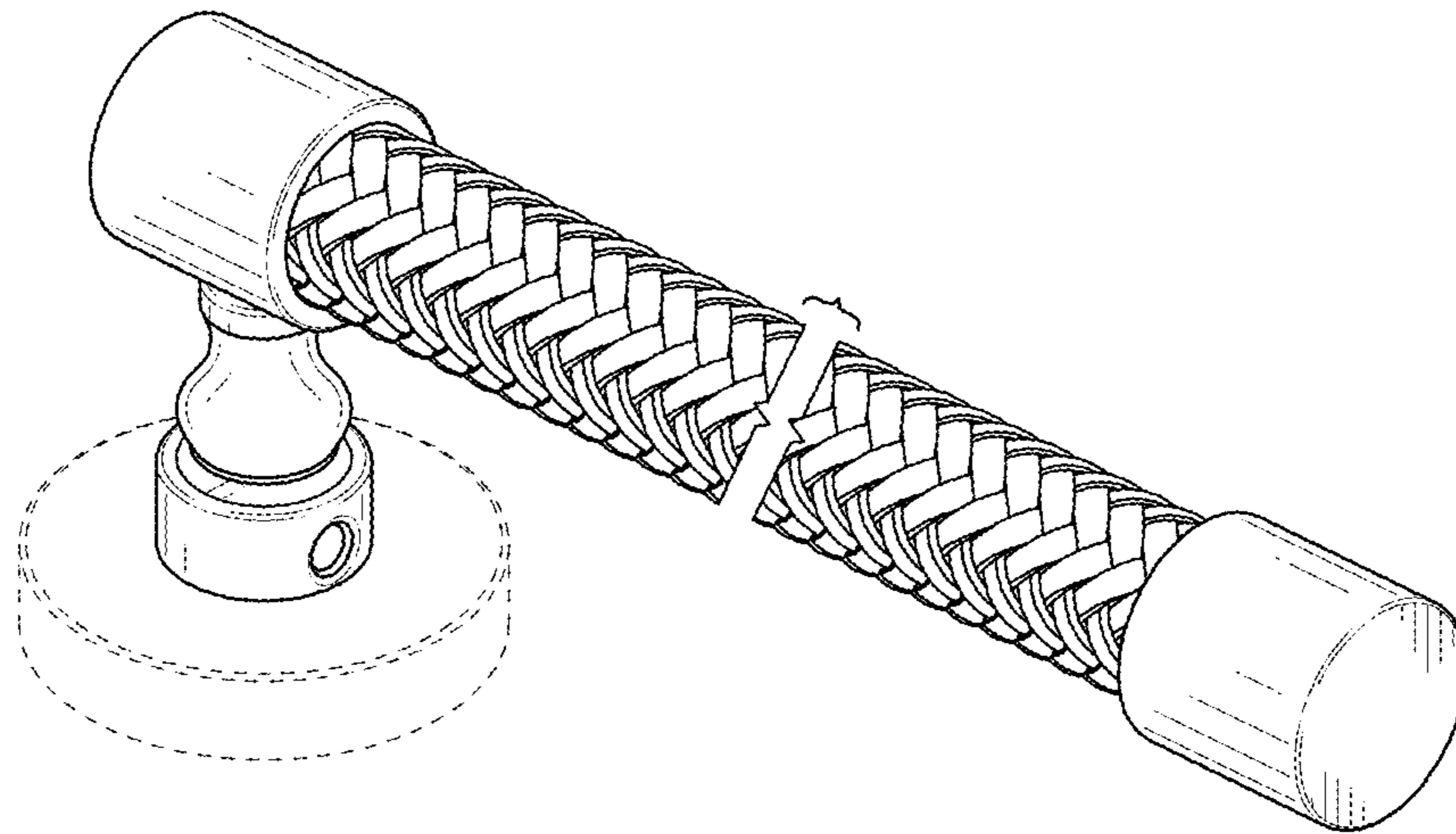


FIG. 1

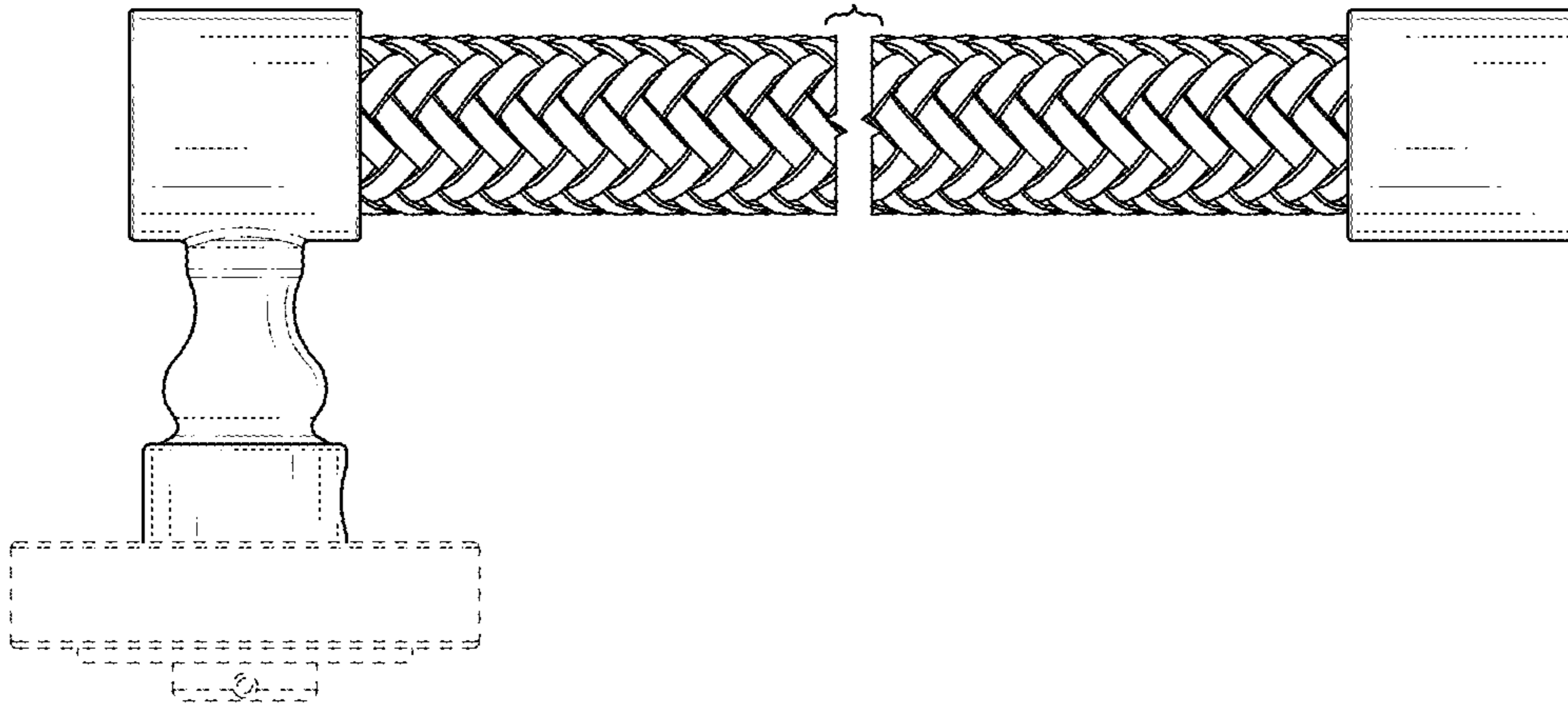


FIG. 2

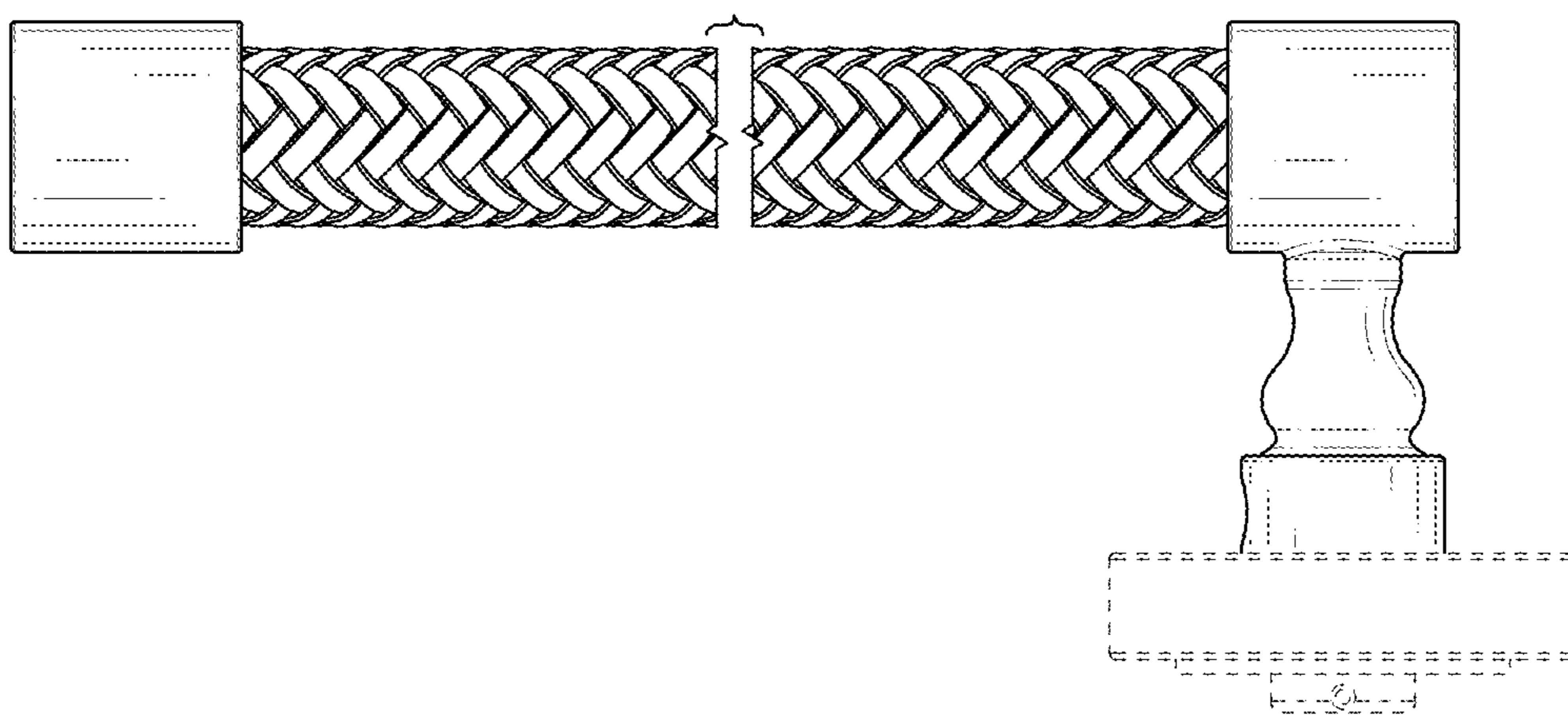


FIG. 3

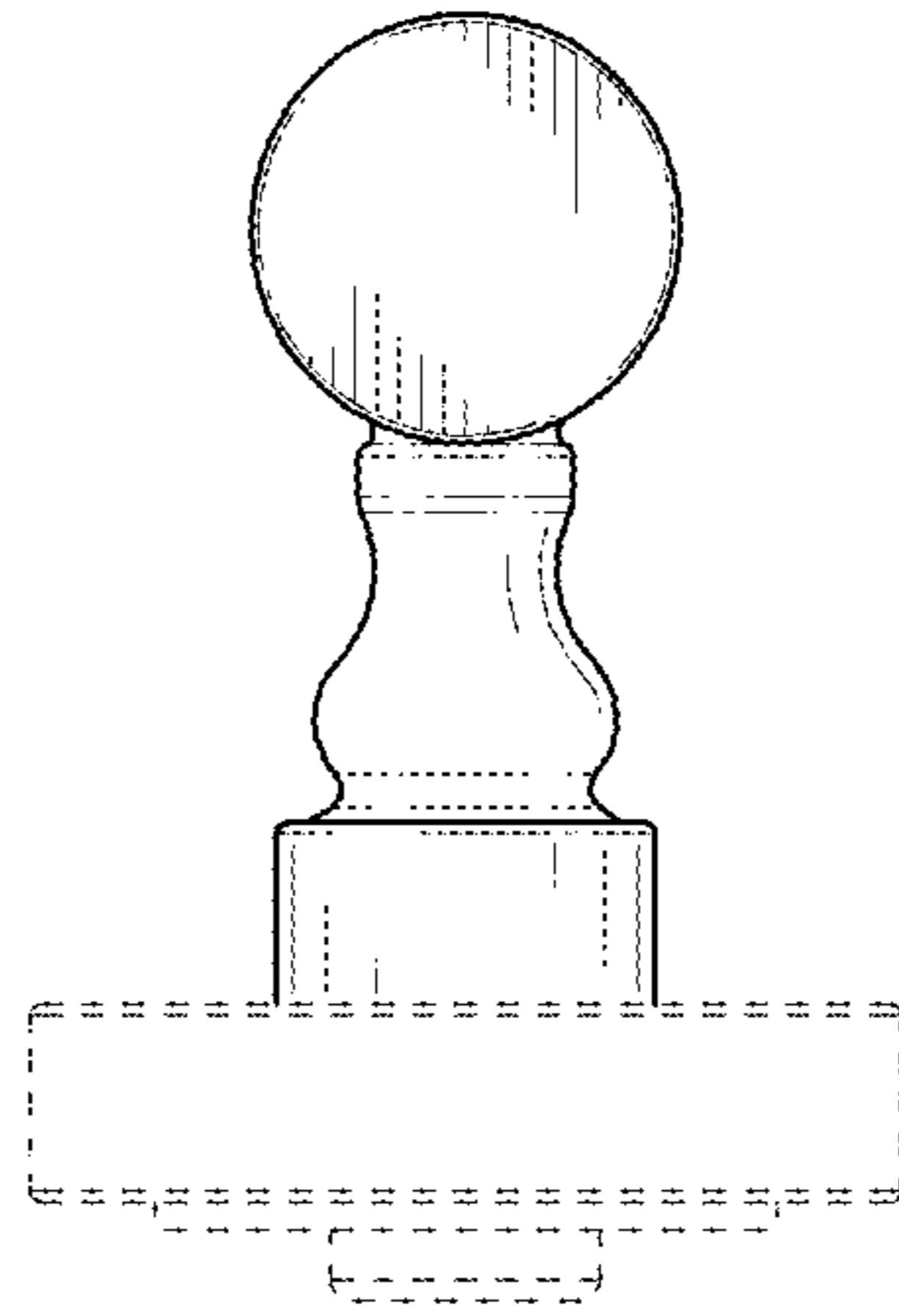


FIG. 4

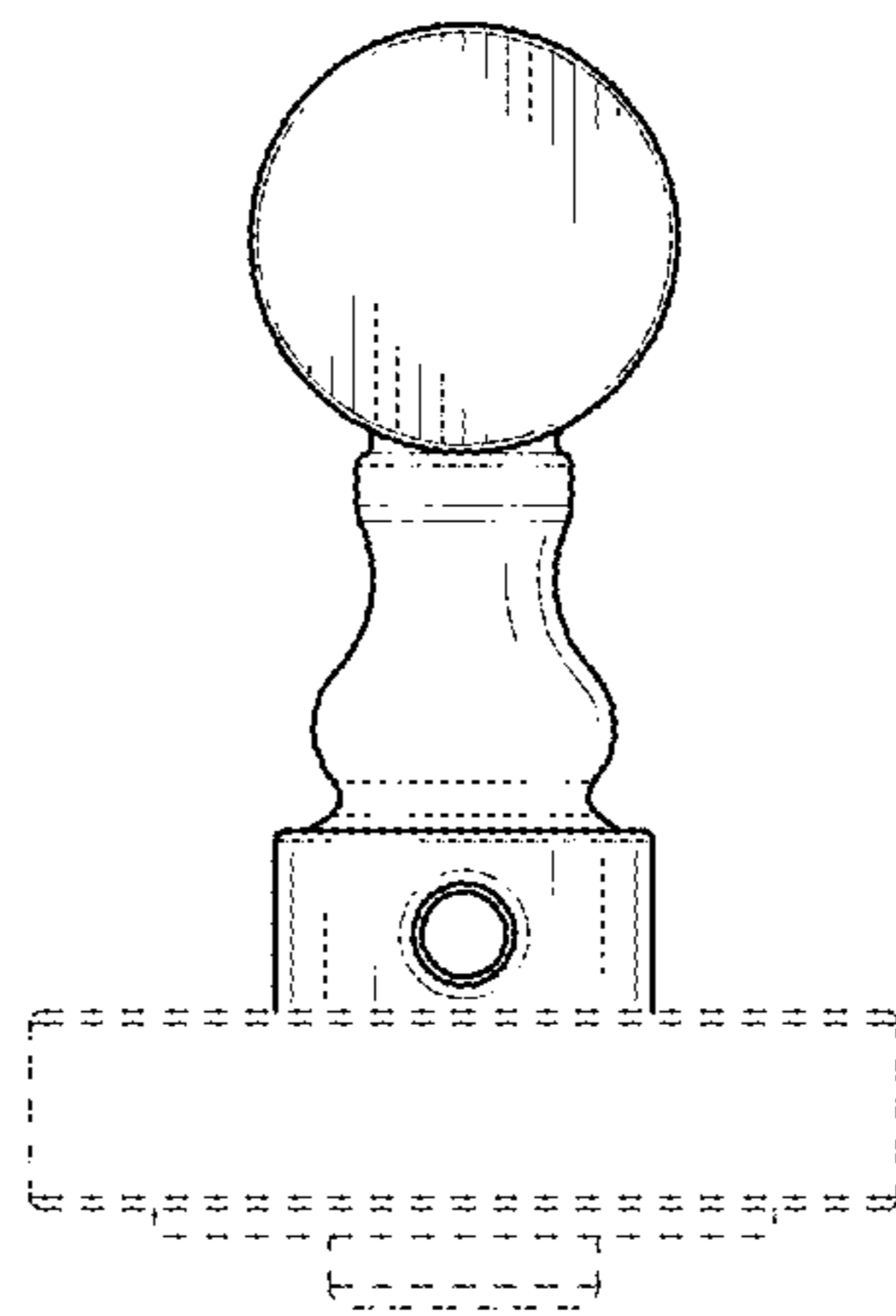


FIG. 5

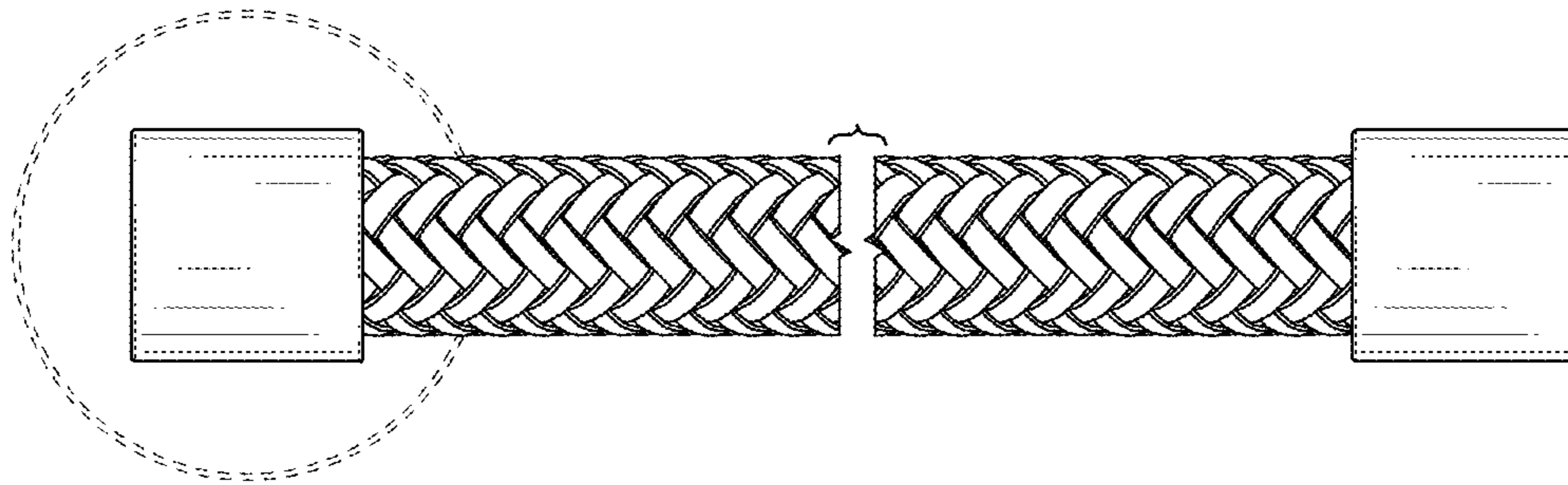


FIG. 6

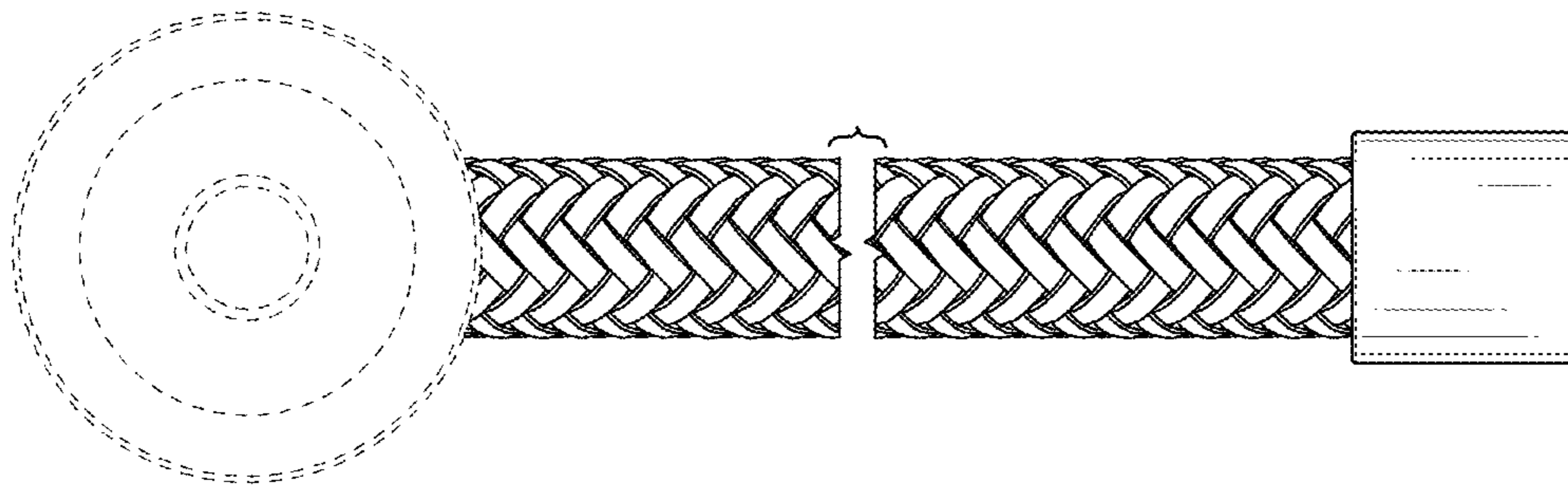


FIG. 7