

US00D902685S

(12) **United States Design Patent** (10) **Patent No.:** **US D902,685 S**
Kim (45) **Date of Patent:** **** Nov. 24, 2020**

(54) **VEHICLE EMERGENCY ESCAPE TOOL**

(71) Applicant: **Jin Sun Kim**, Changwon-si (KR)

(72) Inventor: **Ganghui Kim**, Changwon-si (KR)

(**) Term: **15 Years**

(21) Appl. No.: **35/507,208**

(22) Filed: **Dec. 20, 2018**

(80) **Hague Agreement Data**

Int. Filing Date: **Dec. 20, 2018**

Int. Reg. No.: **DM/202200**

Int. Reg. Date: **Dec. 20, 2018**

Int. Reg. Pub. Date: **Aug. 9, 2019**

(51) **LOC (12) Cl.** **08-05**

(52) **U.S. Cl.**
USPC **D8/105**

(58) **Field of Classification Search**
USPC D8/14, 47, 75, 81, 105; D10/104.1
(Continued)

(56) **References Cited**

U.S. PATENT DOCUMENTS

4,592,467 A * 6/1986 Lechner B25B 27/0035
206/349
5,251,351 A * 10/1993 Klotz A47L 1/08
7/100

(Continued)

OTHER PUBLICATIONS

Screenshot: Sharper Image 8-in-1 Emergency Auto Tool. Earliest date "2 years ago"; one page. Found online Jun. 12, 2020 at <https://www.sharperimage.com/si/view/product/8-In-1+Emergency+Auto+Tool/206562> (Year: 2018).*

(Continued)

Primary Examiner — Robert M. Spear

(74) *Attorney, Agent, or Firm* — Antonio Ha & U.S. Patent, LLC

(57) **CLAIM**

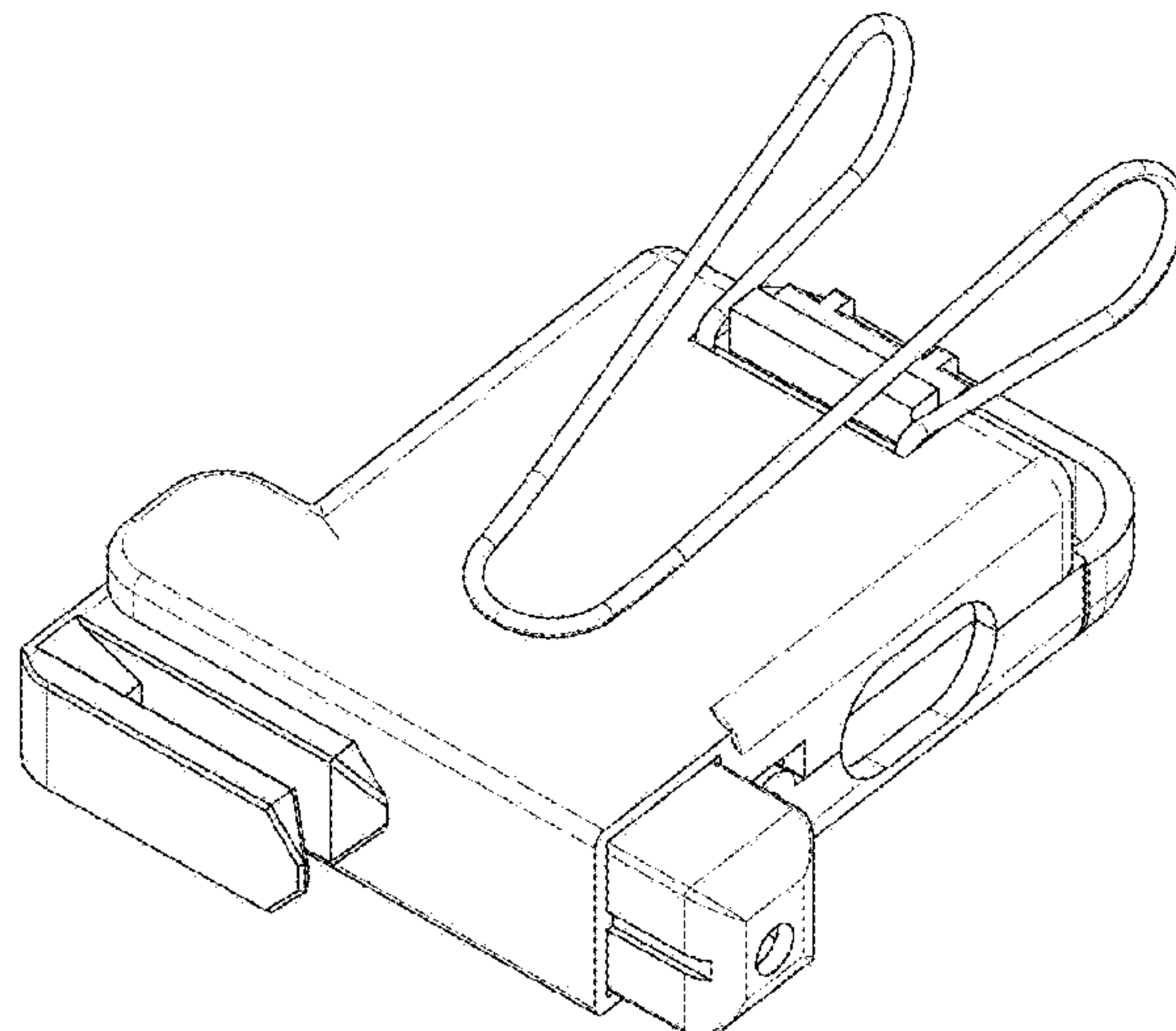
The ornamental design for a vehicle emergency escape tool, as shown and described.

DESCRIPTION

- 1.1 : Perspective
- 1.2 : Front
- 1.3 : Back
- 1.4 : Left
- 1.5 : Right
- 1.6 : Top
- 1.7 : Bottom
- 1.8 : an overall form of top view
- 1.9 : an overall form of back view
- 1.10 : an over all of bottom view
- 1.11 : reference view in an open position
- 1.12 : reference view in an open position

The present design is for a vehicle emergency escape tool which is used for emergence escape of a user (users) by cutting a safety belt and breaking glass, and which is used to accommodate spectacles or the like in a state that the vehicle emergency escape tool is combined with a vehicle sunshade at ordinary times; fig. 1.1 is a drawing expressing an overall form of the present design, fig. 1.2 is a drawing expressing a front surface portion of the present design, fig. 1.3 is a drawing expressing a back surface portion of the present design, fig. 1.4 is a drawing expressing a left side portion of the present design, fig. 1.5 is a drawing expressing a right side portion of the present design, fig. 1.6 is a drawing expressing a top portion of the present design, fig. 1.7 is a drawing expressing a bottom portion of the present design, fig. 1.8 is a drawing expressing an overall form of a top part of the present design, fig. 1.9 is a drawing expressing an overall form of a back part of the present design, fig. 1.10 is a drawing expressing an overall form of a bottom part of the present design, and figs. 1.11 and 1.12 are reference views, in an open position, of the present design.

1 Claim, 12 Drawing Sheets



(58) **Field of Classification Search**
 CPC .. A62B 3/005; A62B 3/00; B25D 5/02; B25D
 1/00; B25B 27/0035; B25F 1/00
 See application file for complete search history.

(56) **References Cited**

U.S. PATENT DOCUMENTS

D365,163	S *	12/1995	Brogliato	A62B 3/005 D26/38
D420,269	S *	2/2000	Ben-Moshe	D8/105
6,766,933	B1 *	7/2004	Wang	A62B 3/005 173/202
D524,965	S *	7/2006	Yuen	D26/38
D575,182	S *	8/2008	Rubin	D10/104.1
D595,105	S *	6/2009	White	D8/105
7,557,720	B2 *	7/2009	Rubin	A62B 3/005 340/321
D642,444	S *	8/2011	Kommer	A62B 3/005 D8/105
8,015,643	B2 *	9/2011	White	A62B 3/005 7/144

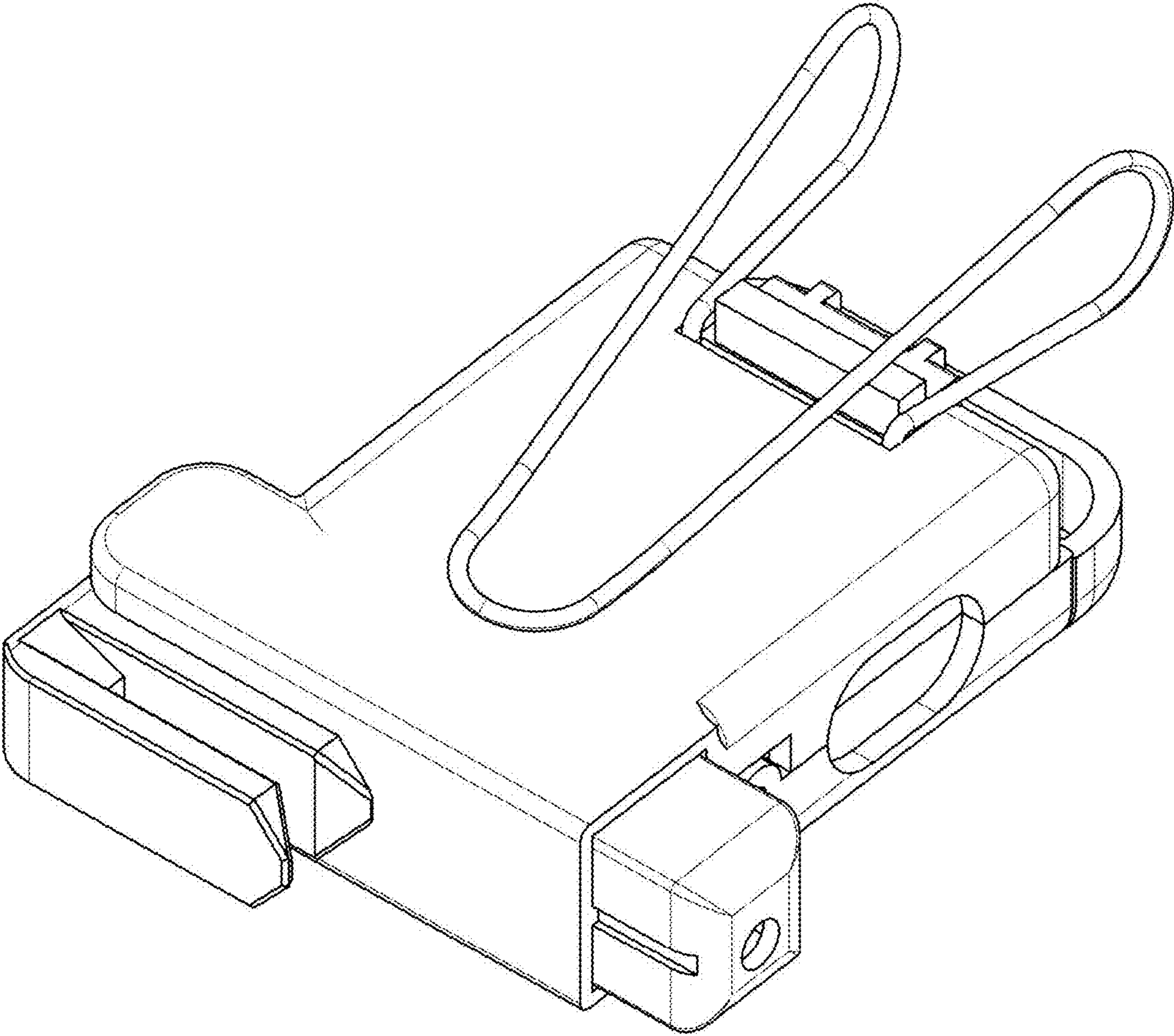
D648,236	S *	11/2011	Rodrig	D10/86
D692,288	S *	10/2013	Locklear	D8/105
8,661,723	B2 *	3/2014	Emde	F41A 11/04 42/71.02
D707,097	S *	6/2014	Kao	A47L 1/08 D29/124
D710,229	S *	8/2014	Burke	D10/104.1
D710,230	S *	8/2014	Burke	B25B 27/0035 D10/104.1
9,716,359	B1 *	7/2017	Xu	B25F 1/006
9,814,912	B2 *	11/2017	Sun	A62B 3/005
D874,240	S *	2/2020	Souders	D8/98

OTHER PUBLICATIONS

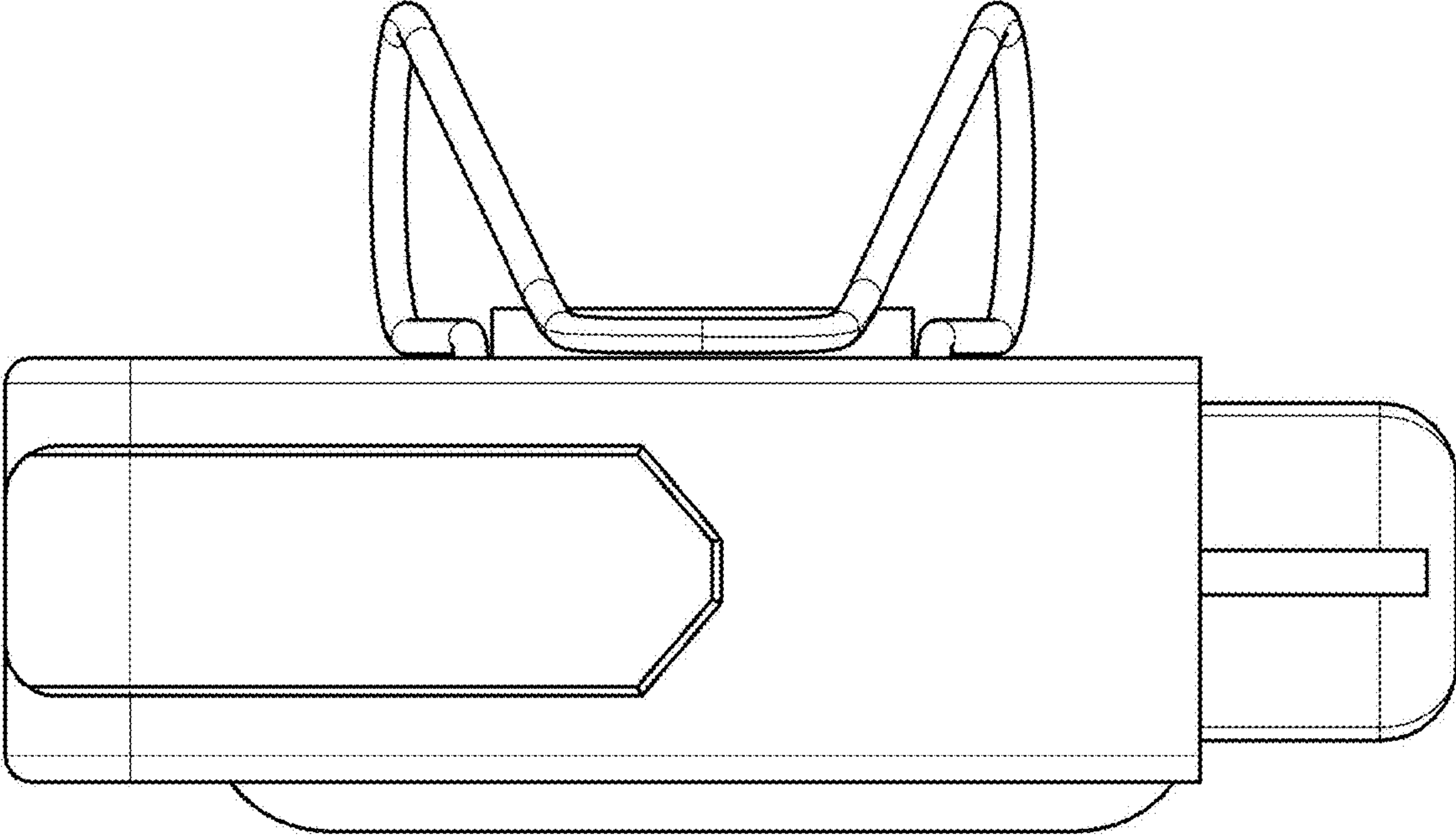
Screenshot: CRKT Exitool Emergency Multitool: Automotive Safety, Seat Belt Strap Cutter, Tungsten Carbide Window Breaker, LED Light, Clips to Seat Belt 9030. Earliest date Jul. 31, 2014; one page. Found online Jun. 12, 2020 at <https://www.amazon.com/CRKT-Exitool-Emergency-Multitool-Automotive/dp/B0030IV8TG> (Year: 2014).*

* cited by examiner

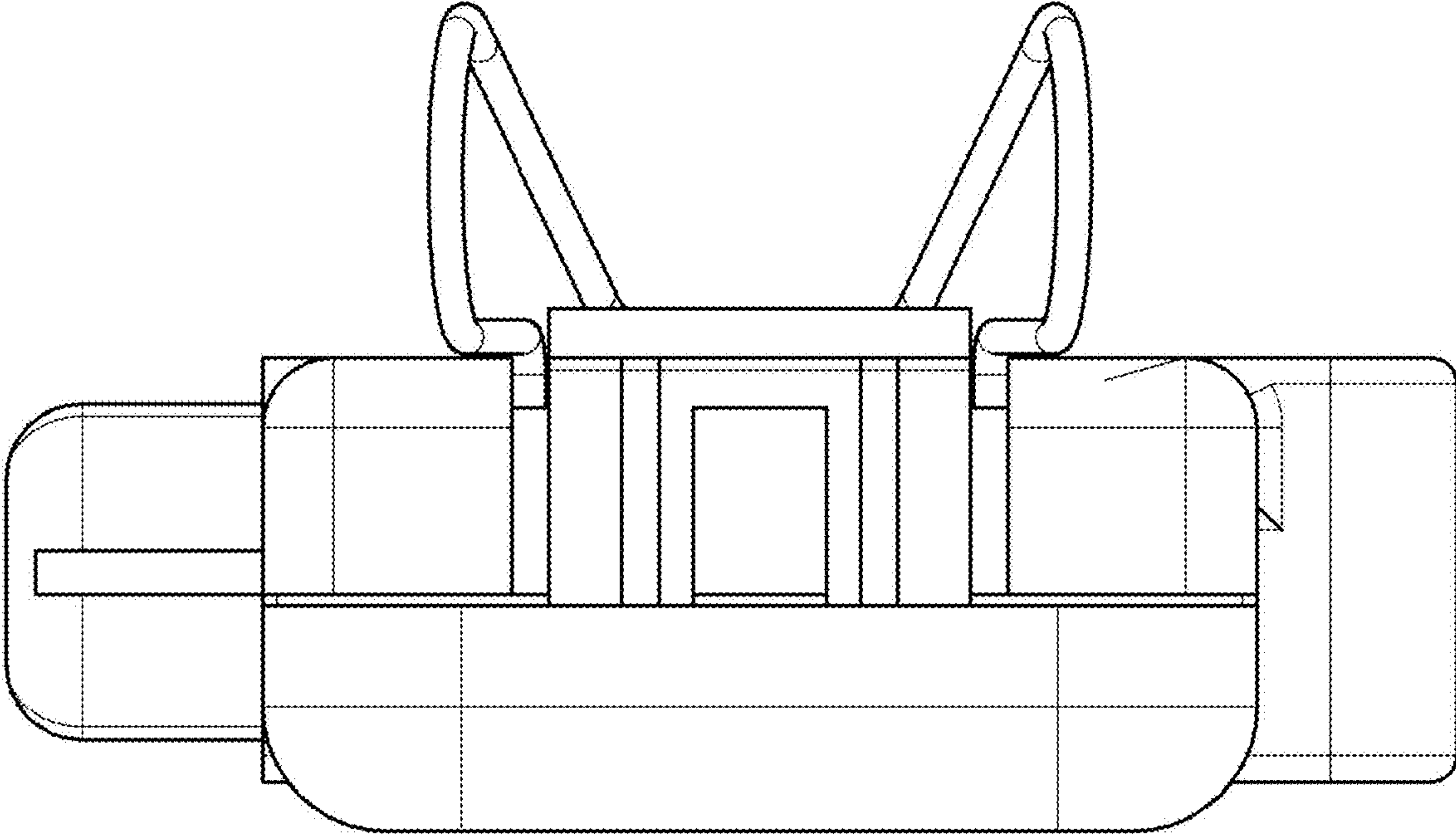
1.1



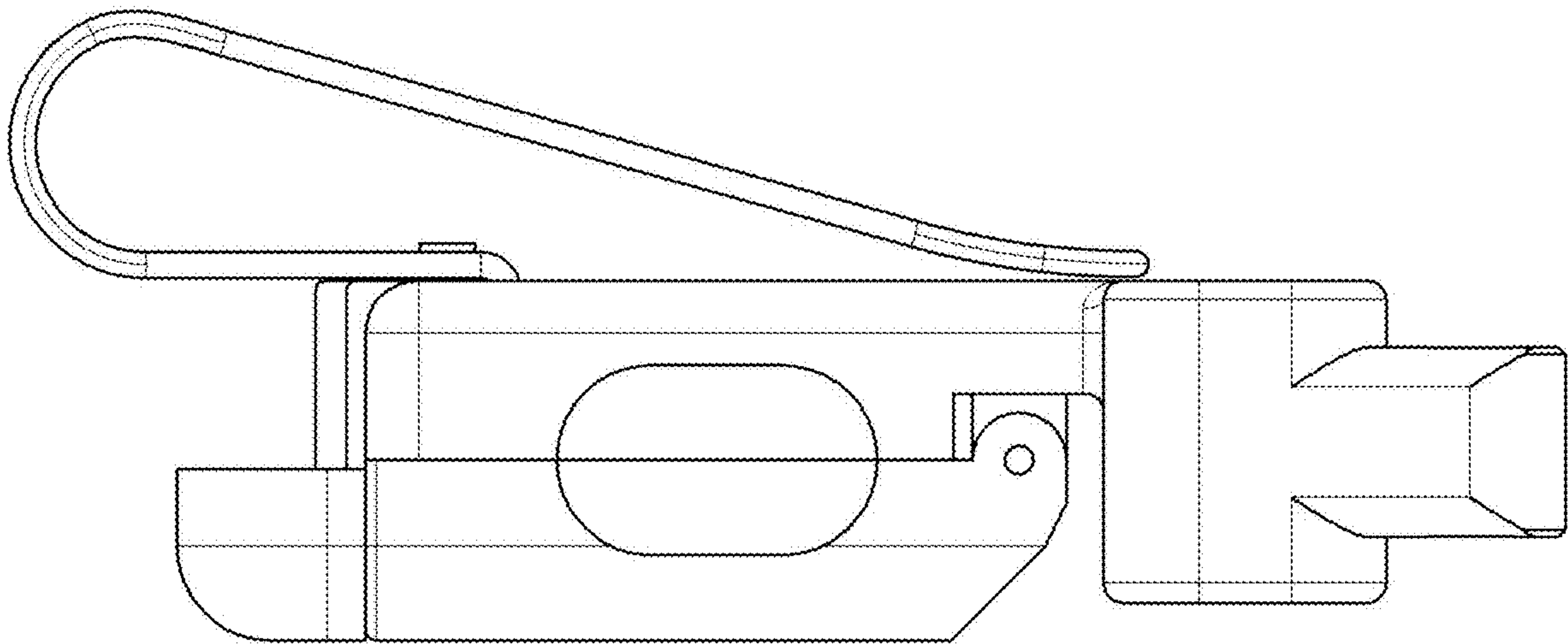
1.2



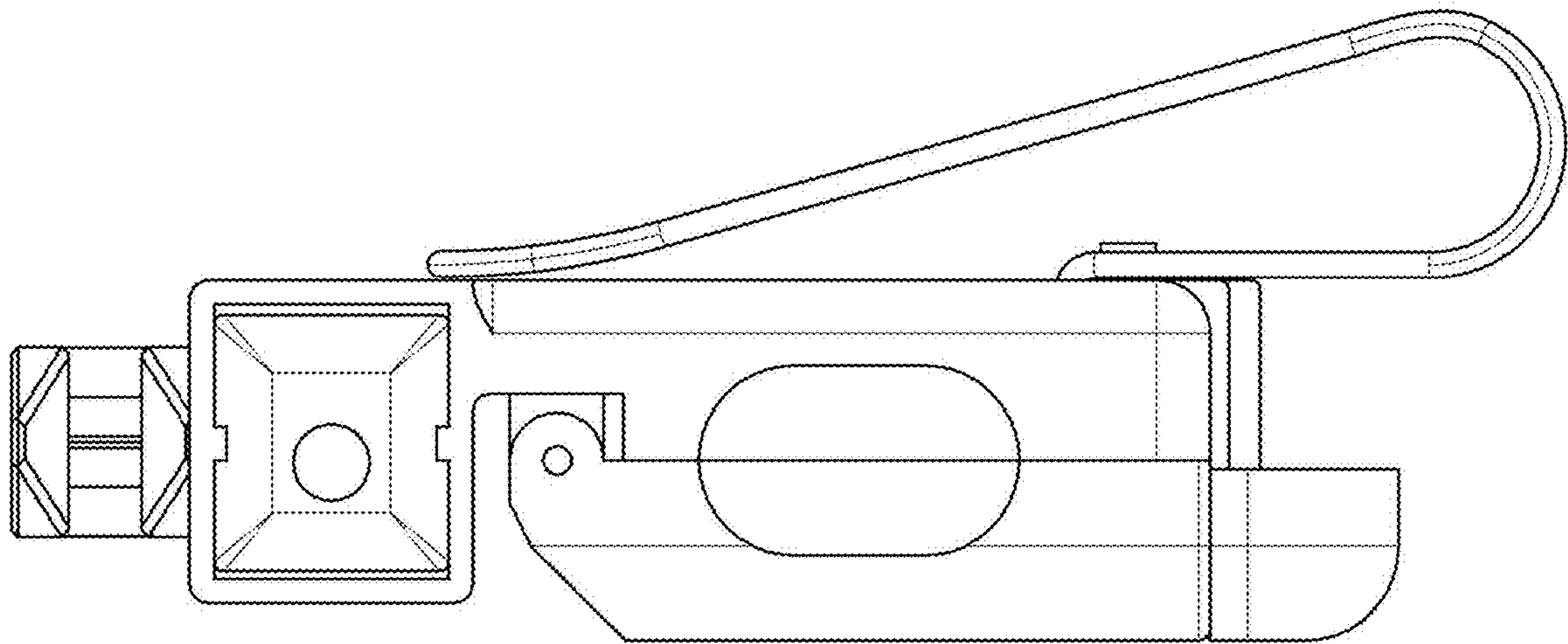
1.3



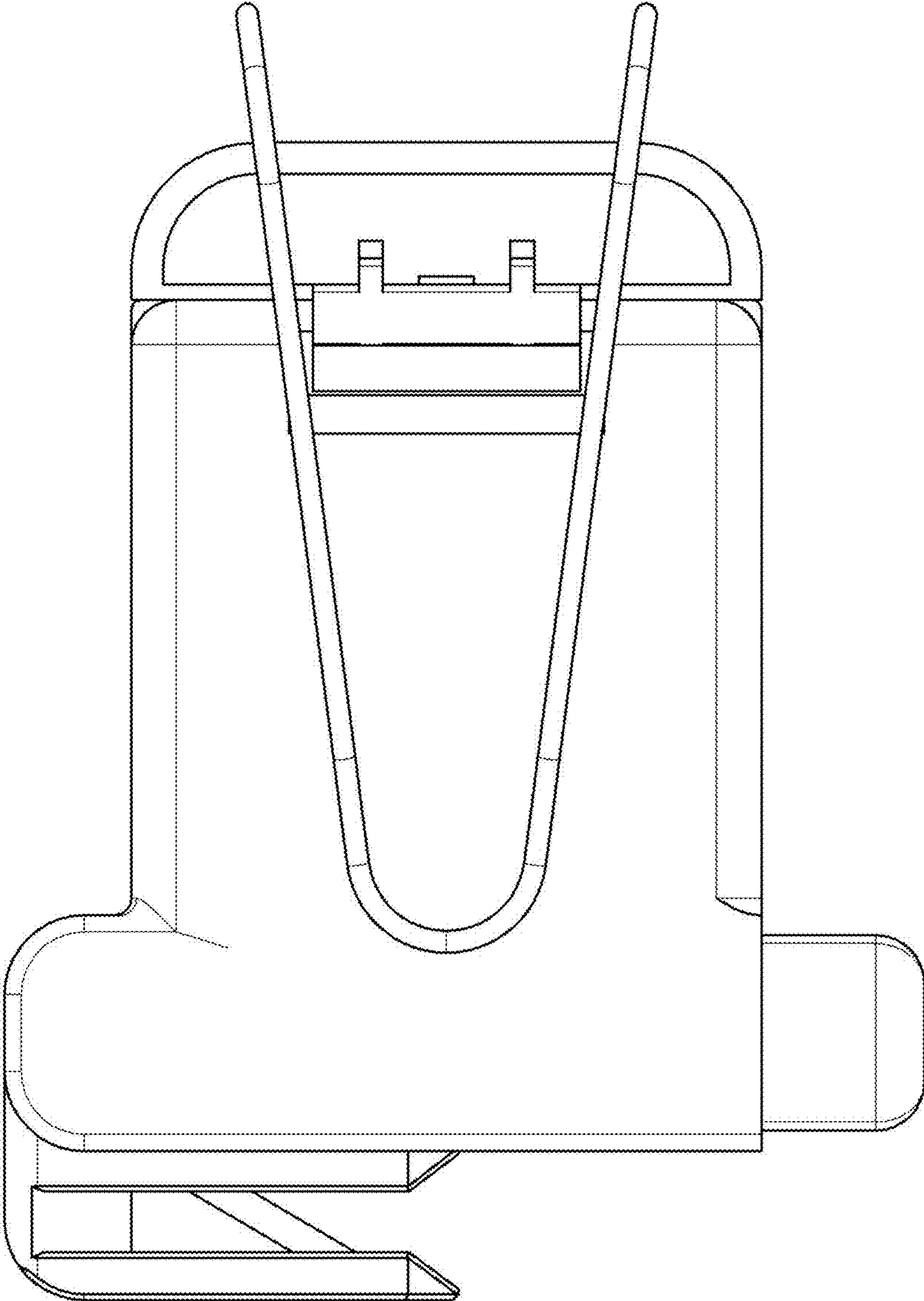
1.4



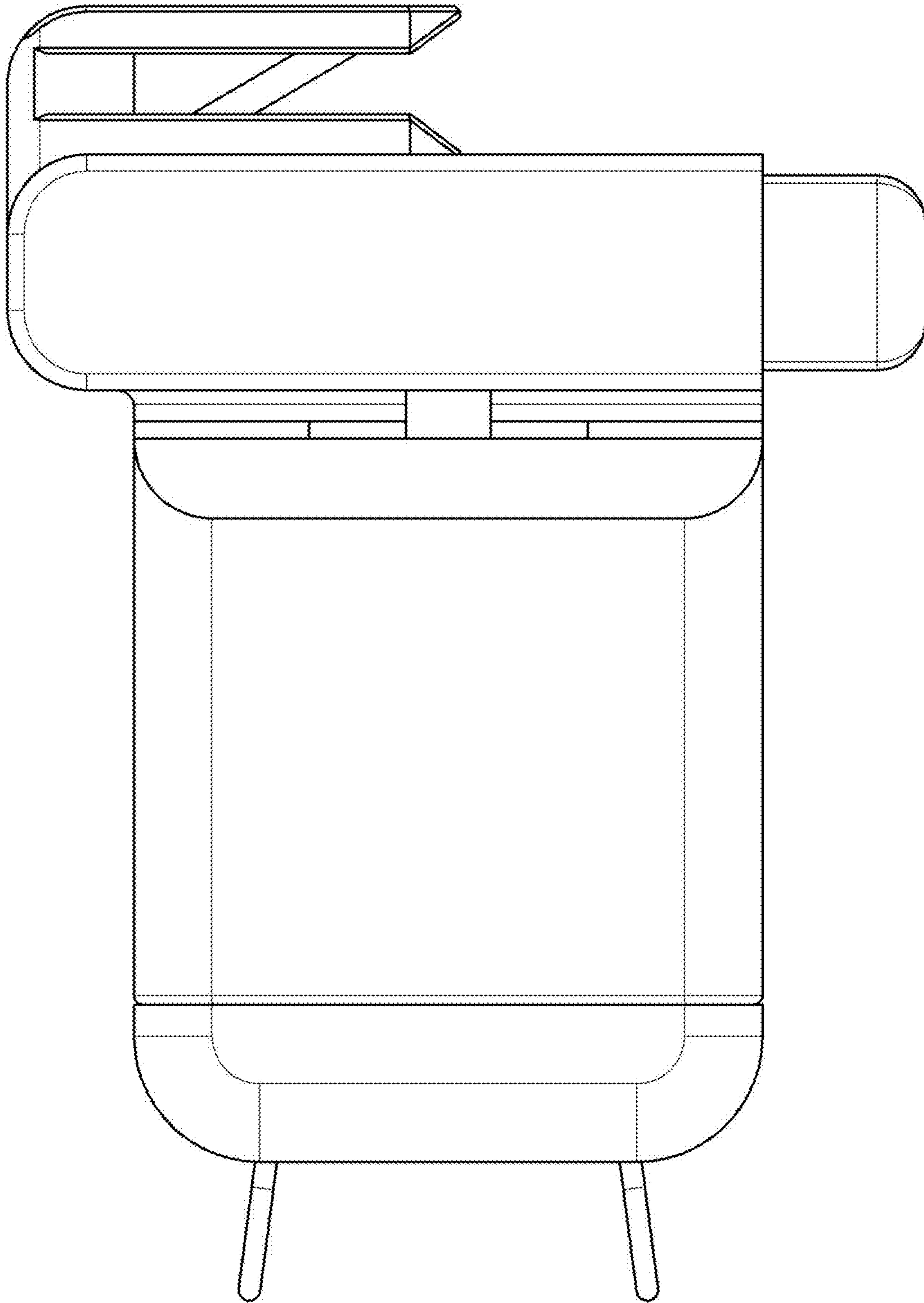
1.5



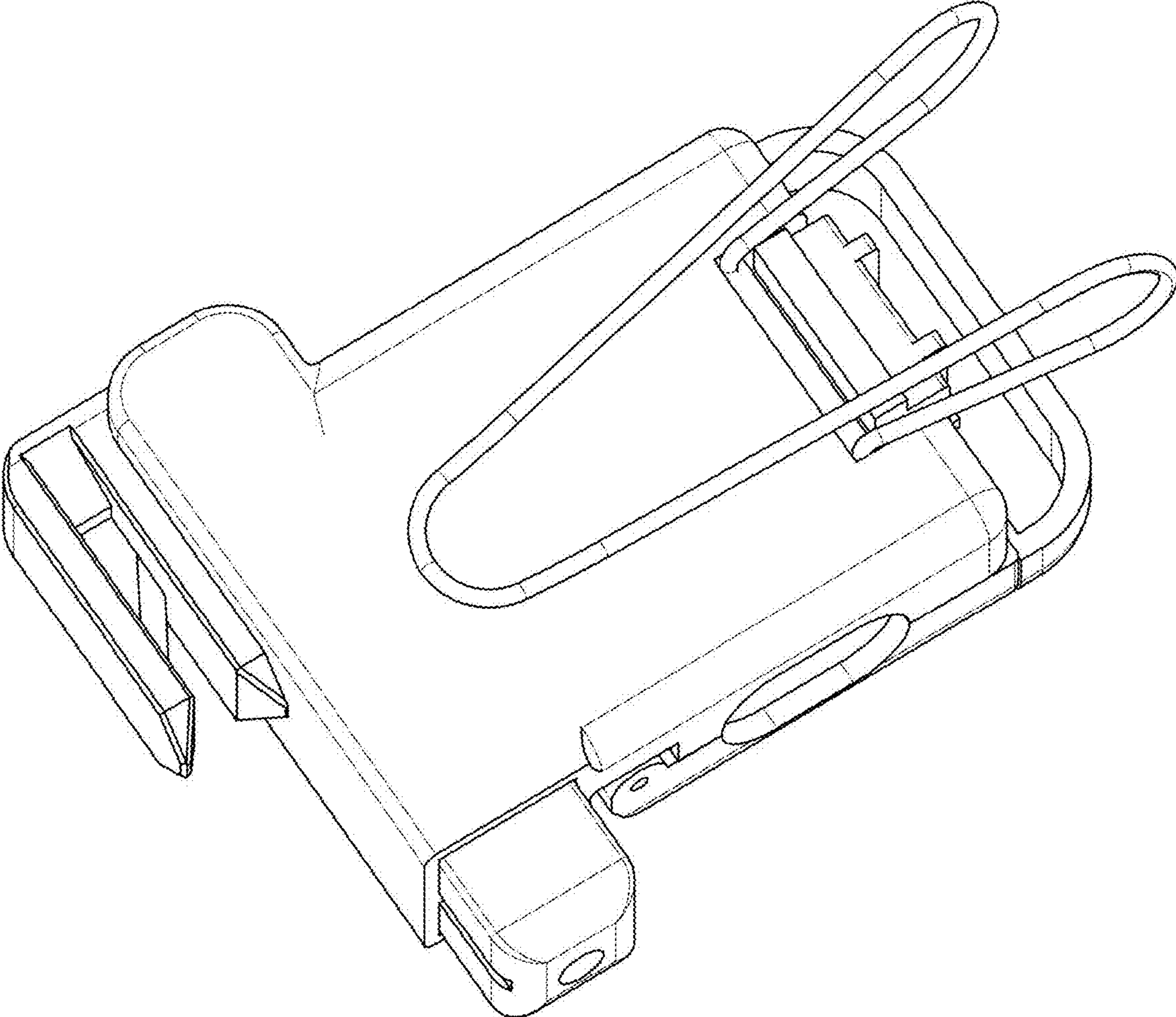
1.6



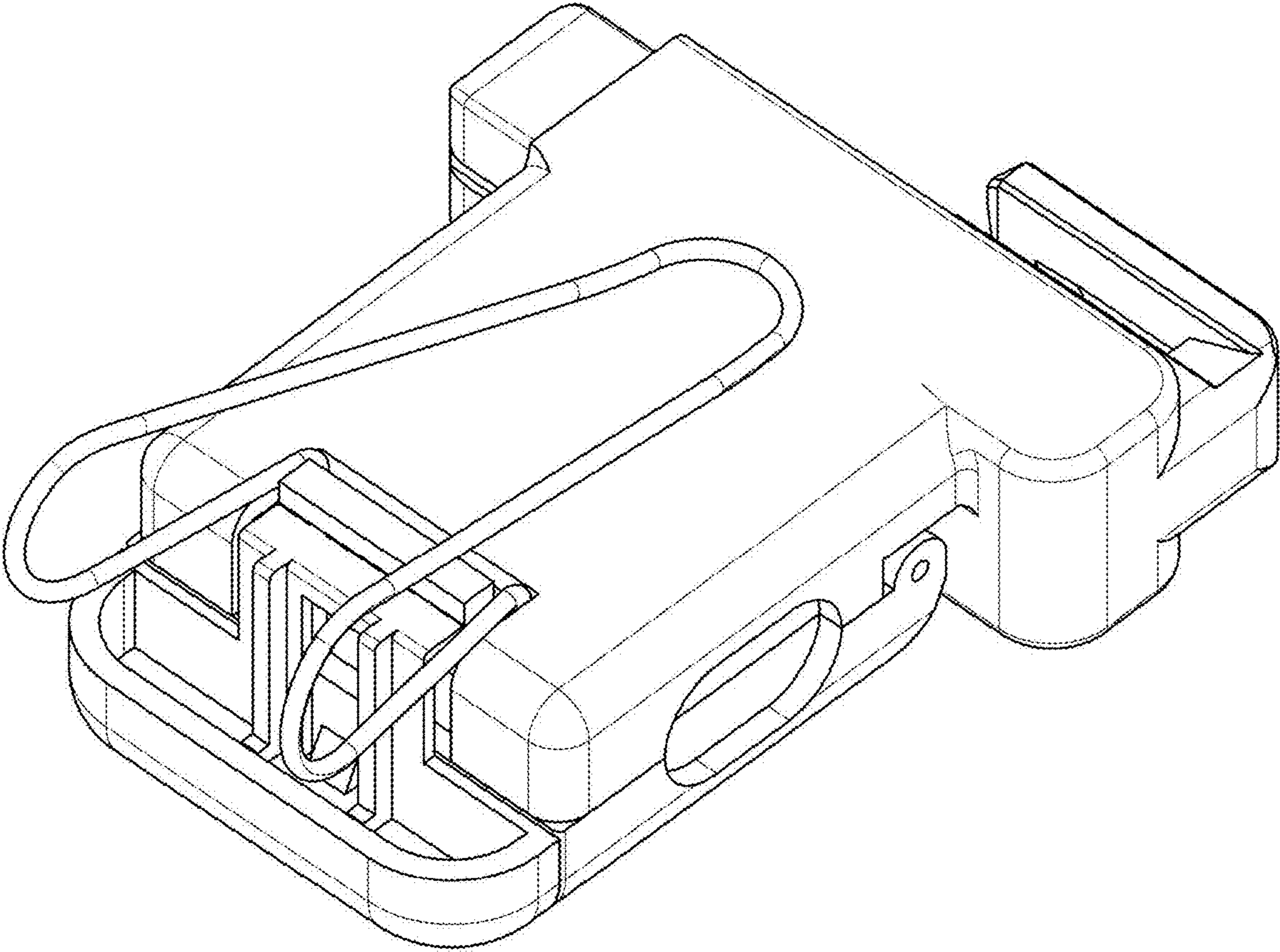
1.7



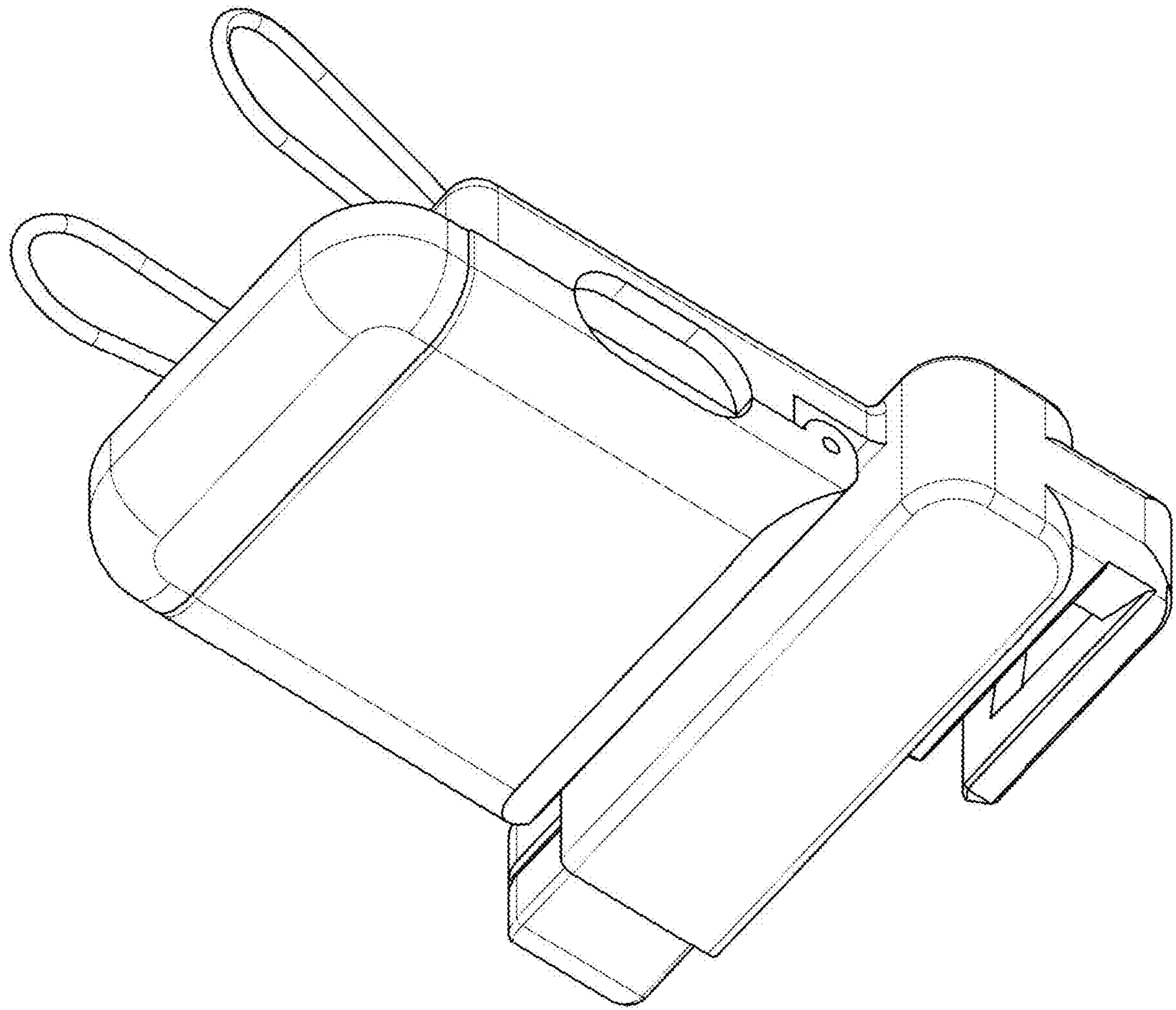
1.8



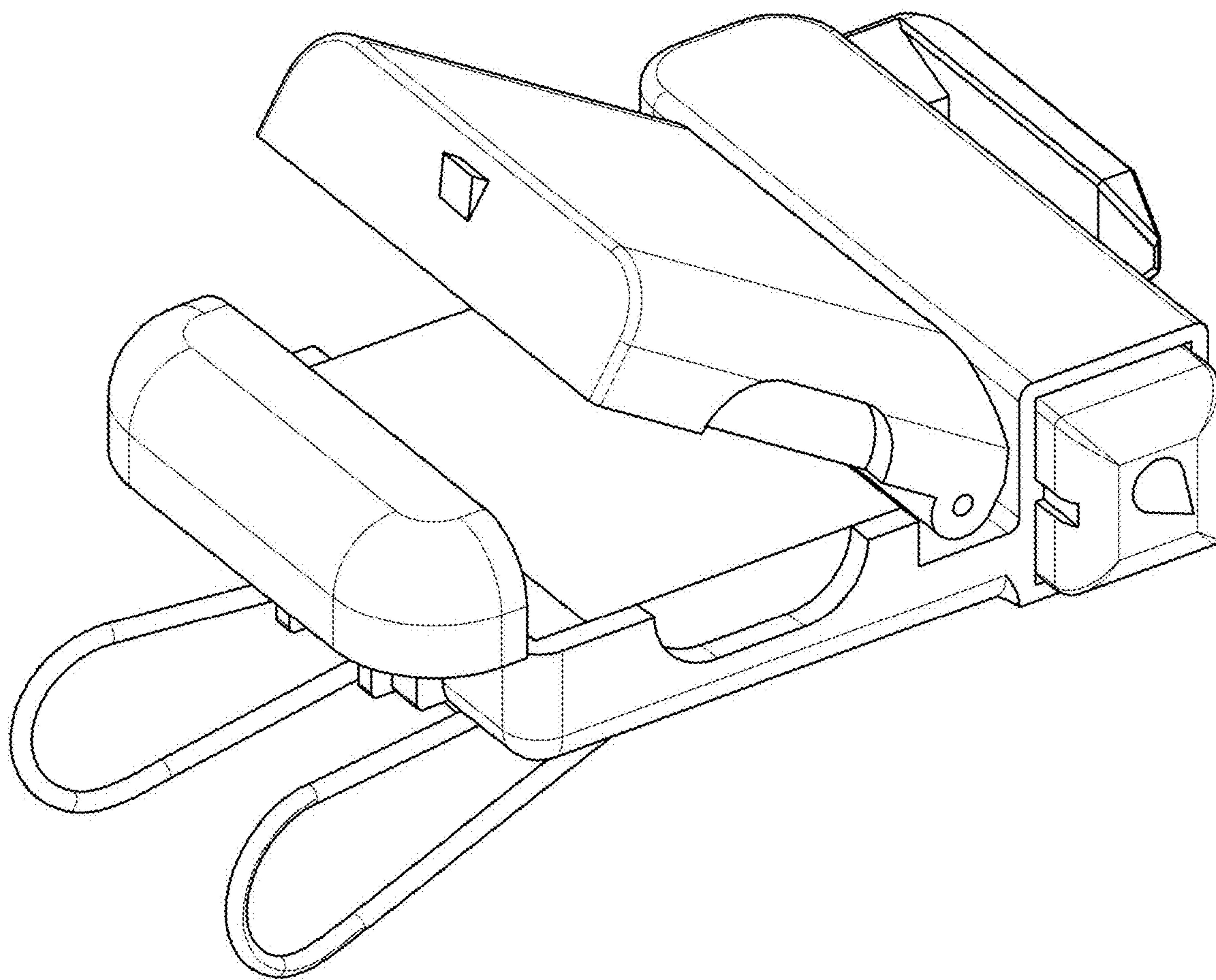
1.9



1.10



1.11



1.12

