



US00D902684S

(12) **United States Design Patent**
Barraco

(10) **Patent No.:** **US D902,684 S**

(45) **Date of Patent:** **** Nov. 24, 2020**

(54) **MASKING STRIP FOR USE IN PAINTING VEHICLES**

(71) Applicant: **TNS Solutions**, Deer Park, NY (US)

(72) Inventor: **Anthony M. Barraco**, Islip, NY (US)

(73) Assignee: **TNS Solutions**, Deer Park, NY (US)

(**) Term: **15 Years**

(21) Appl. No.: **29/741,981**

(22) Filed: **Jul. 17, 2020**

Related U.S. Application Data

(63) Continuation of application No. 16/574,711, filed on Sep. 18, 2019, now Pat. No. 10,717,105.

(51) **LOC (12) Cl.** **08-05**

(52) **U.S. Cl.**
USPC **D8/71**

(58) **Field of Classification Search**

USPC D8/14, 71; D12/190, 195, 220, 400, 126;
D32/40, 41, 42; D25/119, 121, 136, 164
CPC B05B 12/20; B05B 12/24; B05B 12/26
See application file for complete search history.

(56) **References Cited**

U.S. PATENT DOCUMENTS

2,705,820 A * 4/1955 Torrence A47B 13/083
52/782.2
5,354,614 A * 10/1994 Cox C09J 7/20
428/343

D508,570 S * 8/2005 Bouic D25/121
D530,131 S * 10/2006 Chatham D6/580
D621,076 S * 8/2010 Vibiano D25/164
10,233,651 B2 * 3/2019 O'Leary E04F 13/0803
10,717,105 B1 * 7/2020 Barraco B05C 21/005

* cited by examiner

Primary Examiner — Keli L Hill

Assistant Examiner — Harold E Blackwell, II

(74) *Attorney, Agent, or Firm* — Carter, Deluca & Farrell LLP

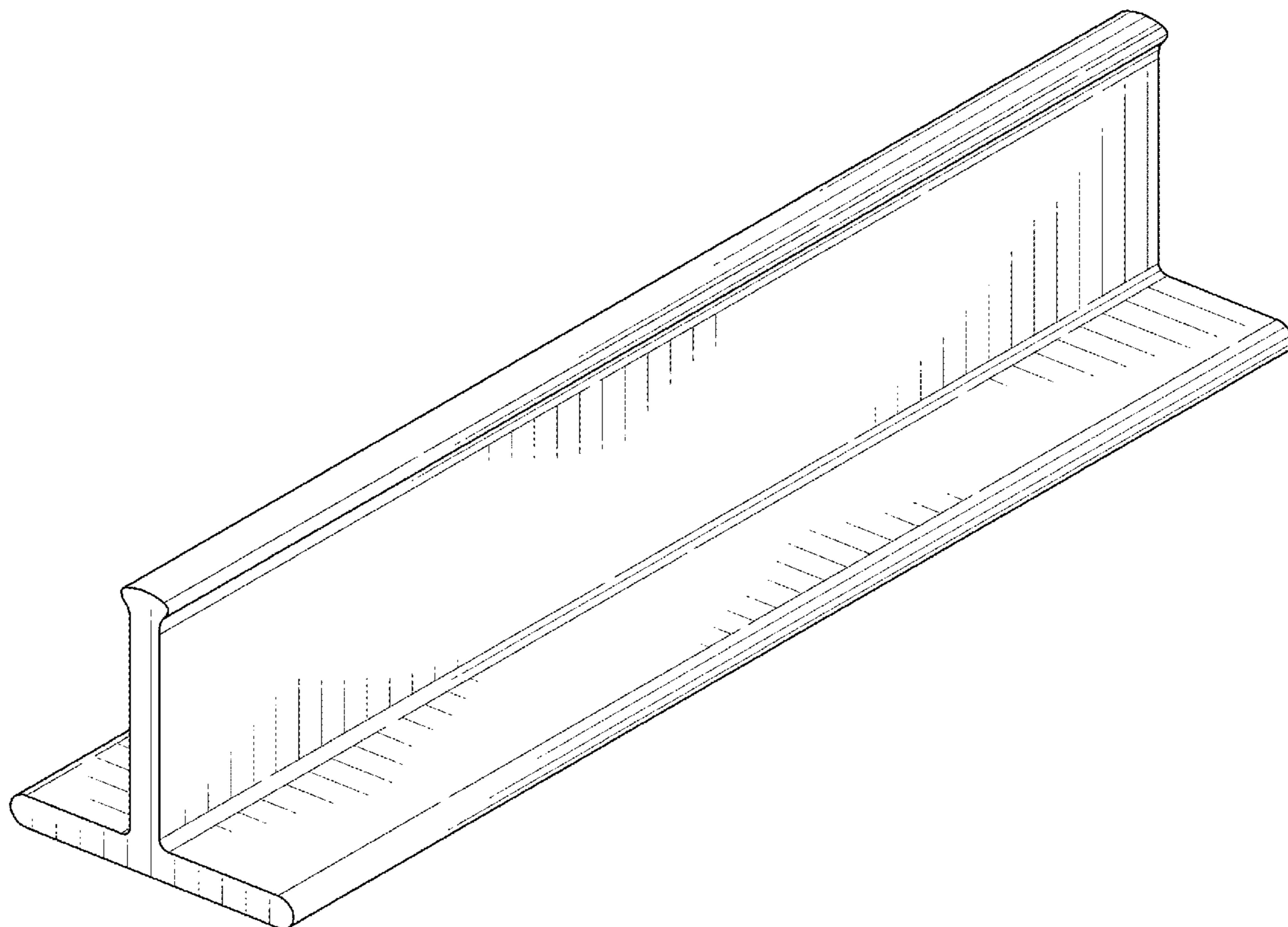
(57) **CLAIM**

The ornamental design for a masking strip for use in painting vehicles, as shown and described.

DESCRIPTION

FIG. 1 is a perspective view of a masking strip for use in painting vehicles in accordance with the present design; FIG. 2 is a right view thereof; FIG. 3 is a left view thereof; FIG. 4 is a rear view thereof; FIG. 5 is a top view thereof; FIG. 6 is a front view thereof; and, FIG. 7 is a bottom view thereof.

1 Claim, 4 Drawing Sheets



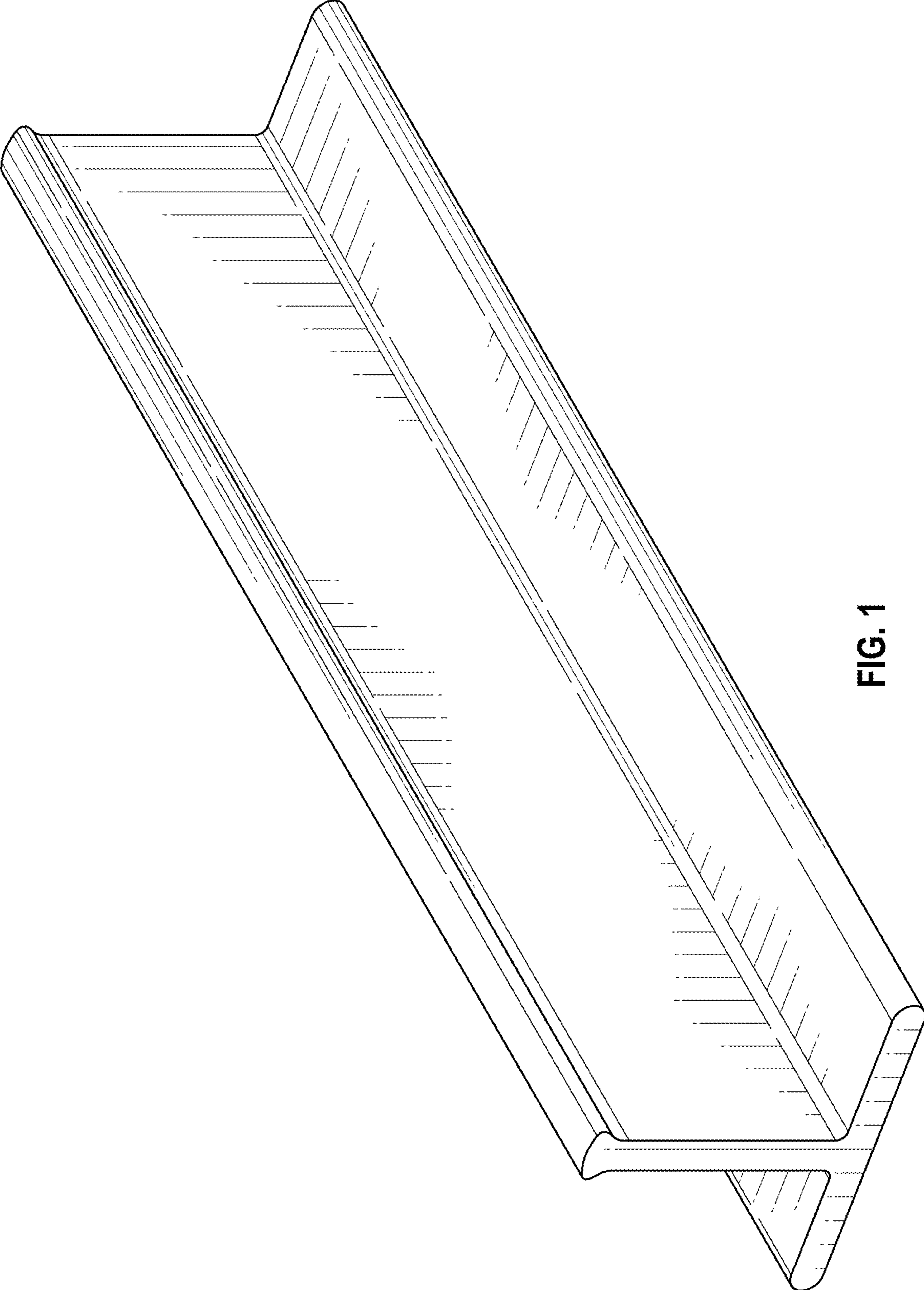


FIG. 1

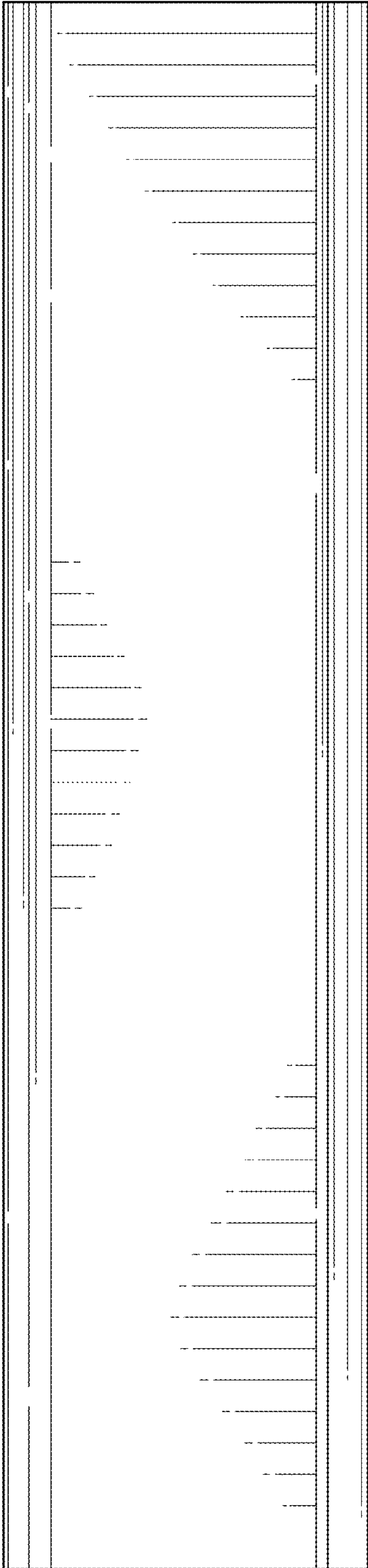


FIG. 2

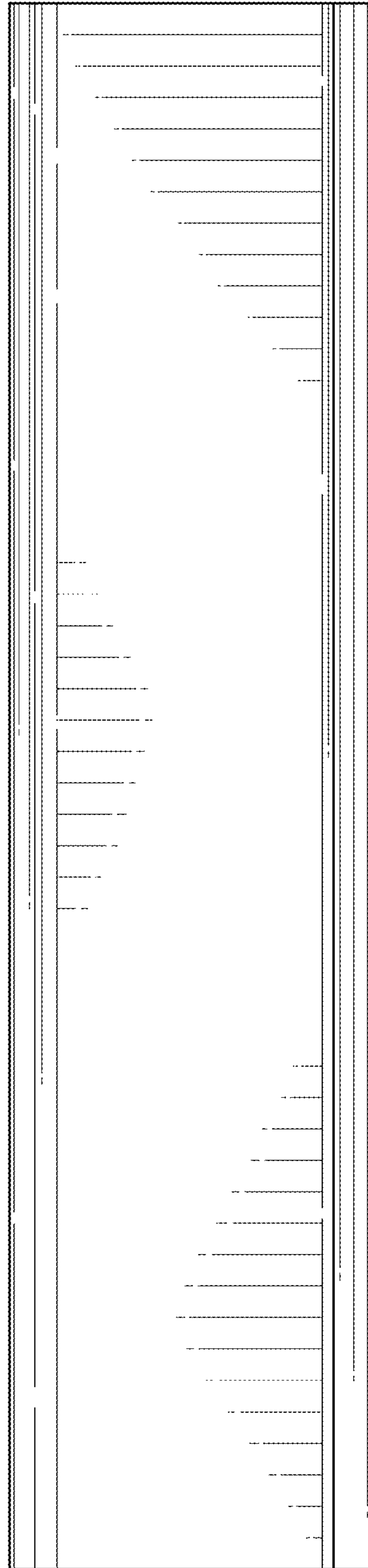


FIG. 3

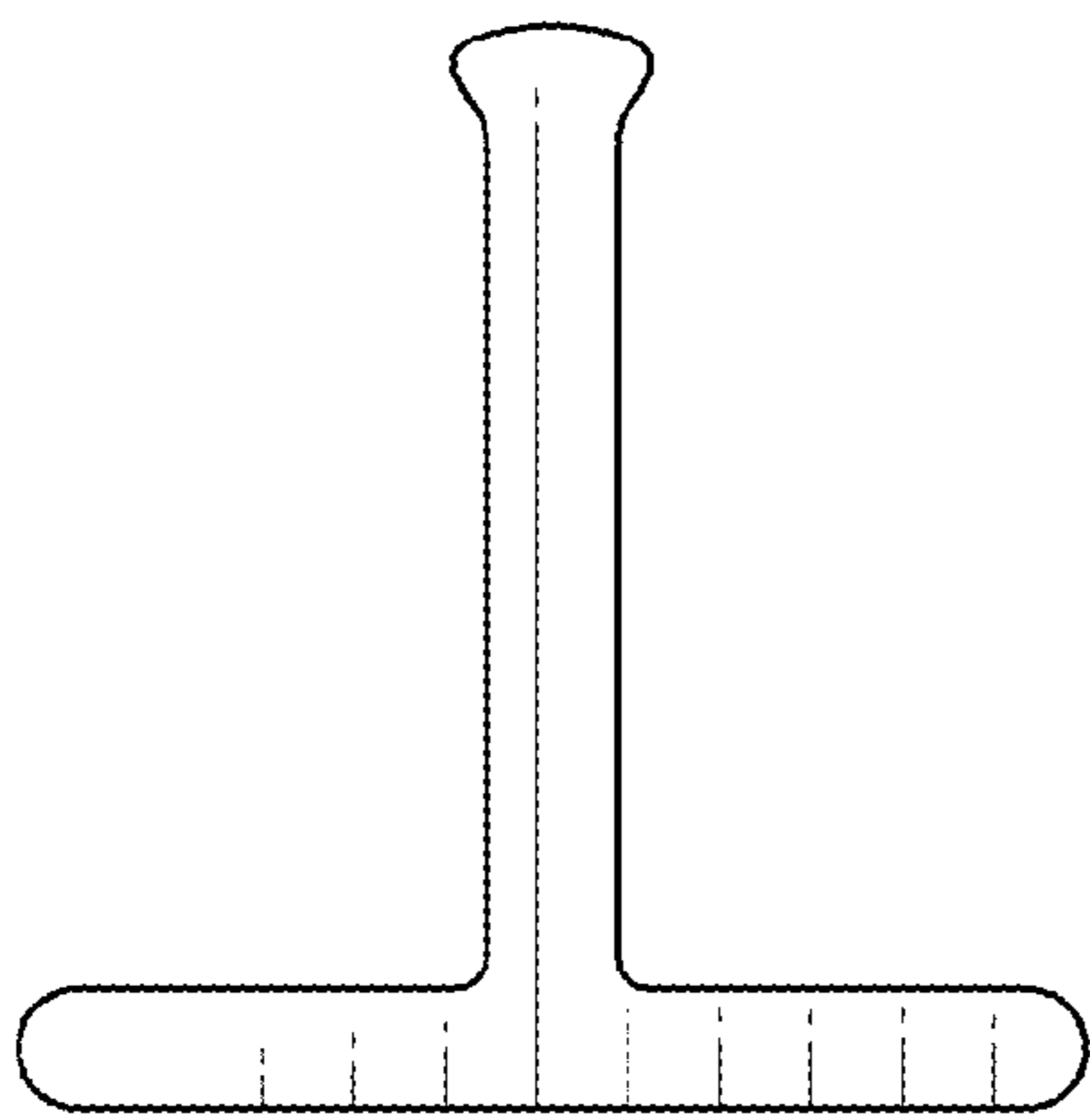


FIG. 4

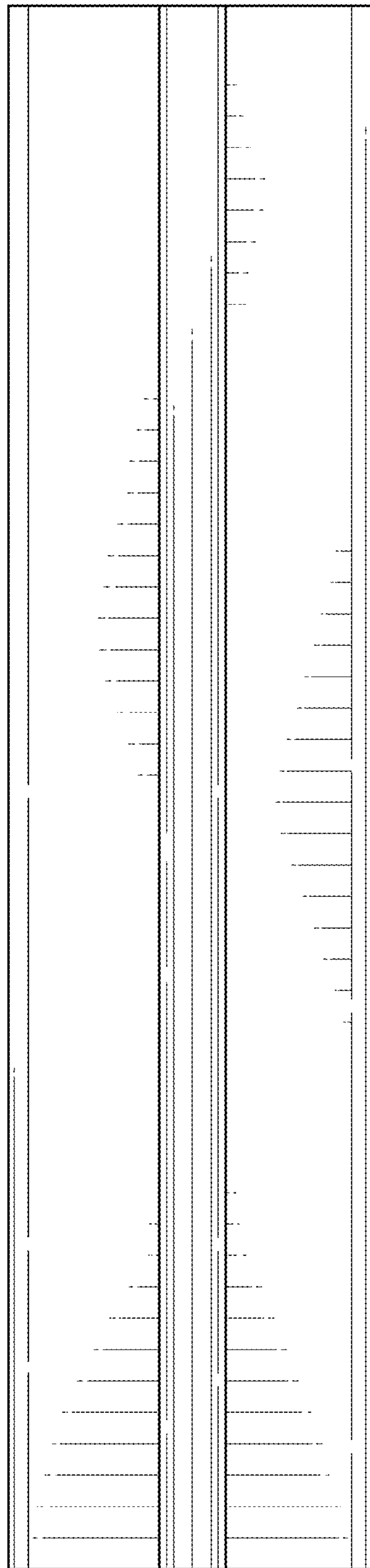


FIG. 5

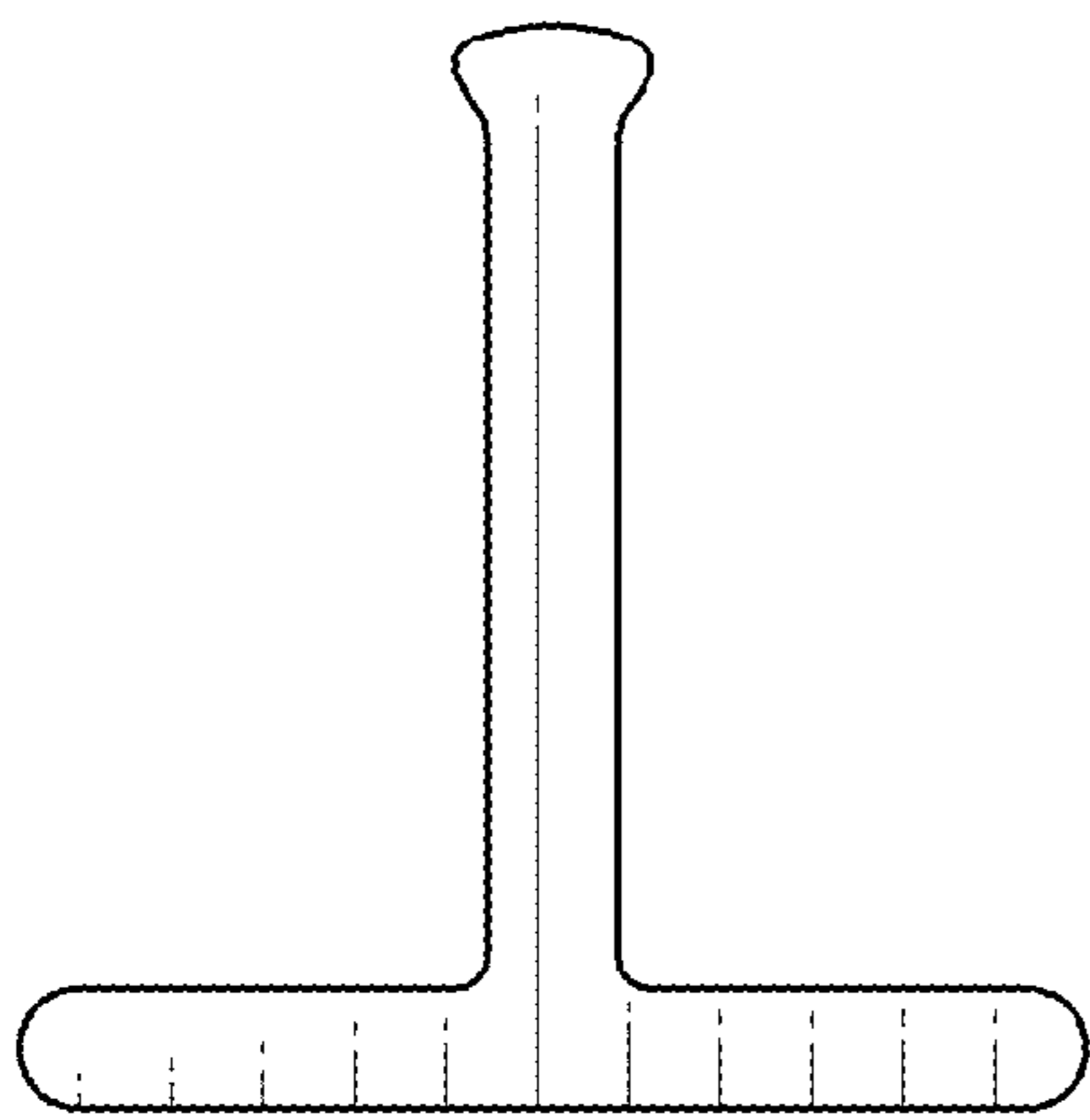


FIG. 6

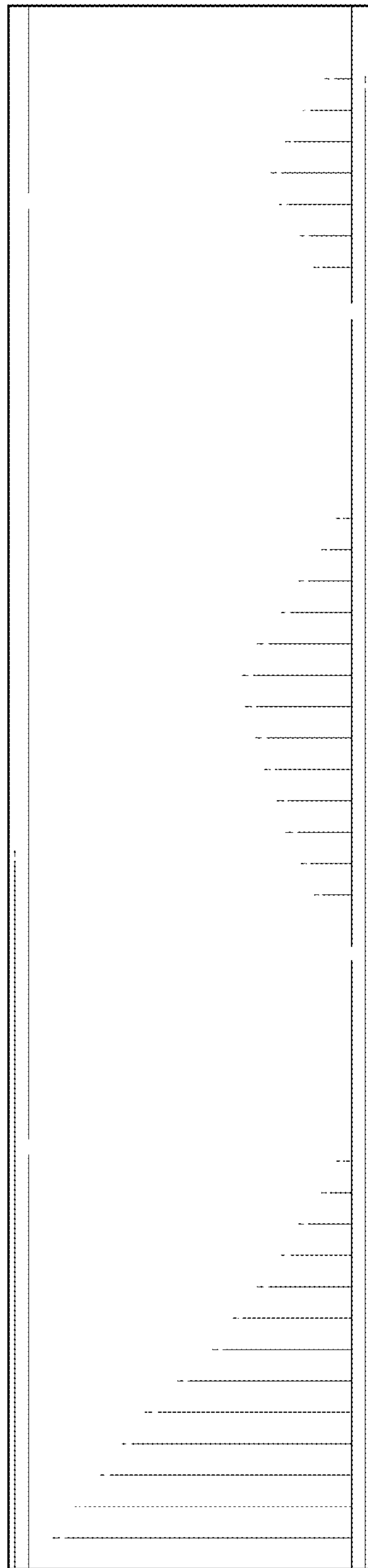


FIG. 7