

US00D902682S

(12) **United States Design Patent** (10) **Patent No.:** **US D902,682 S**  
**Kita** (45) **Date of Patent:** **\*\* Nov. 24, 2020**

(54) **HOLDER FOR SOLDERING IRON**

5,472,133 A \* 12/1995 Lin ..... B23K 3/027  
219/242

(71) Applicant: **HAKKO CORPORATION**, Osaka  
(JP)

D533,042 S \* 12/2006 Loch ..... D8/71

D542,110 S \* 5/2007 Mochizuki ..... D15/144

D594,046 S \* 6/2009 Kita ..... D15/144

9,687,927 B2 \* 6/2017 Stuckey ..... B23K 3/027

D832,901 S \* 11/2018 Gou ..... D15/144

2008/0067164 A1 \* 3/2008 Kuo ..... B23K 3/027

2010/0108827 A1 \* 5/2010 Teraoka ..... B23K 3/027

2018/0111212 A1 \* 4/2018 Lu ..... B23K 3/027

248/117.3

2018/0111212 A1 \* 4/2018 Lu ..... B23K 3/027

\* cited by examiner

(\*\*) Term: **15 Years**

(21) Appl. No.: **29/670,408**

(22) Filed: **Nov. 15, 2018**

*Primary Examiner* — Philip S Hyder

(74) *Attorney, Agent, or Firm* — Squire Patton Boggs

(US) LLP

(30) **Foreign Application Priority Data**

May 23, 2018 (JP) ..... 2018-011275

(51) **LOC (12) Cl.** ..... **08-05**

(52) **U.S. Cl.**

USPC ..... **D8/71; D15/144**

(58) **Field of Classification Search**

USPC ..... D8/30, 71; D15/144; D27/125, 130;  
D3/309, 311; D12/419

CPC ..... B23K 3/027; B23K 3/028

See application file for complete search history.

(56) **References Cited**

U.S. PATENT DOCUMENTS

3,609,791 A \* 10/1971 Siegel et al. .... B23K 3/028  
15/114

3,705,680 A \* 12/1972 Siegel ..... B23K 3/027  
228/57

3,990,623 A \* 11/1976 Fortune ..... B23K 3/027  
228/57

5,048,742 A \* 9/1991 Fortune ..... B23K 3/00  
219/227

(57) **CLAIM**

The ornamental design for a holder for soldering iron, as shown and described.

**DESCRIPTION**

FIG. 1 is a first perspective view of a holder for soldering iron;

FIG. 2 is a second perspective view thereof;

FIG. 3 is a front view thereof;

FIG. 4 is a left side view thereof;

FIG. 5 is a right side view thereof;

FIG. 6 is a top view thereof;

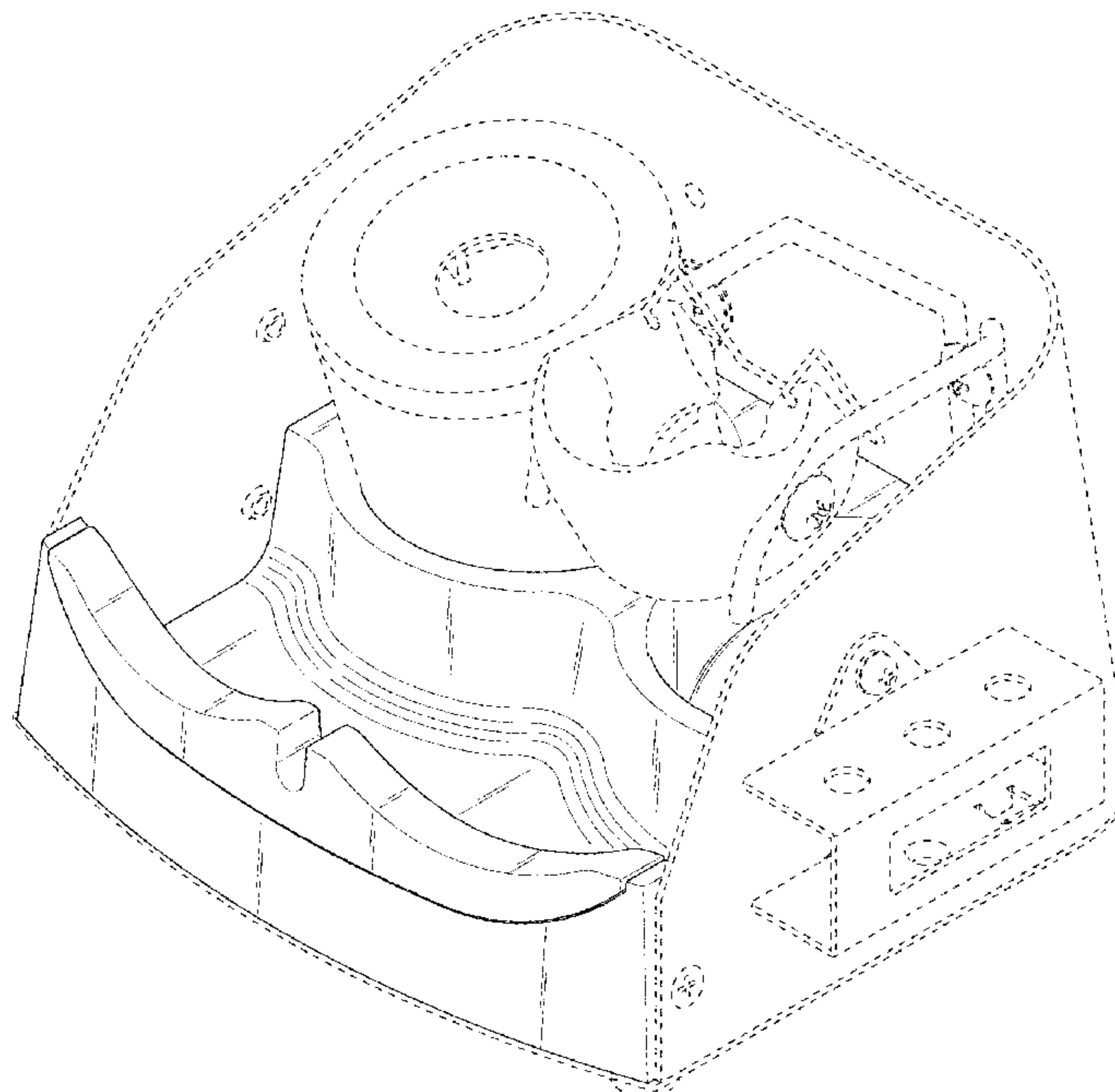
FIG. 7 is a 7-7 sectional view thereof;

FIG. 8 is a 8-8 sectional view thereof; and,

FIG. 9 is a 9-9 sectional view thereof.

The broken lines depict portions of the holder for soldering iron in which the design is embodied that are not considered part of the claimed design.

**1 Claim, 9 Drawing Sheets**



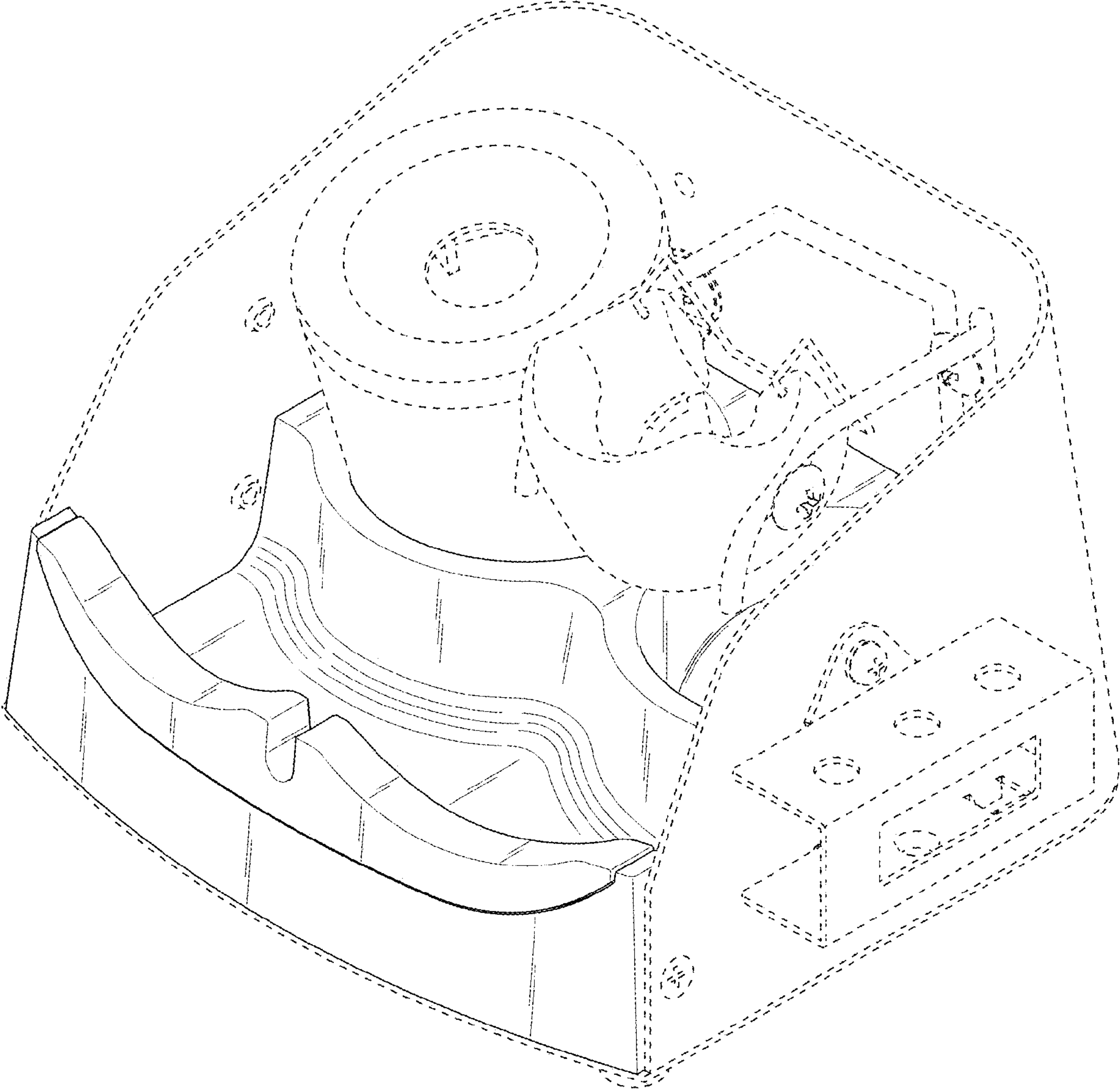


FIG. 1

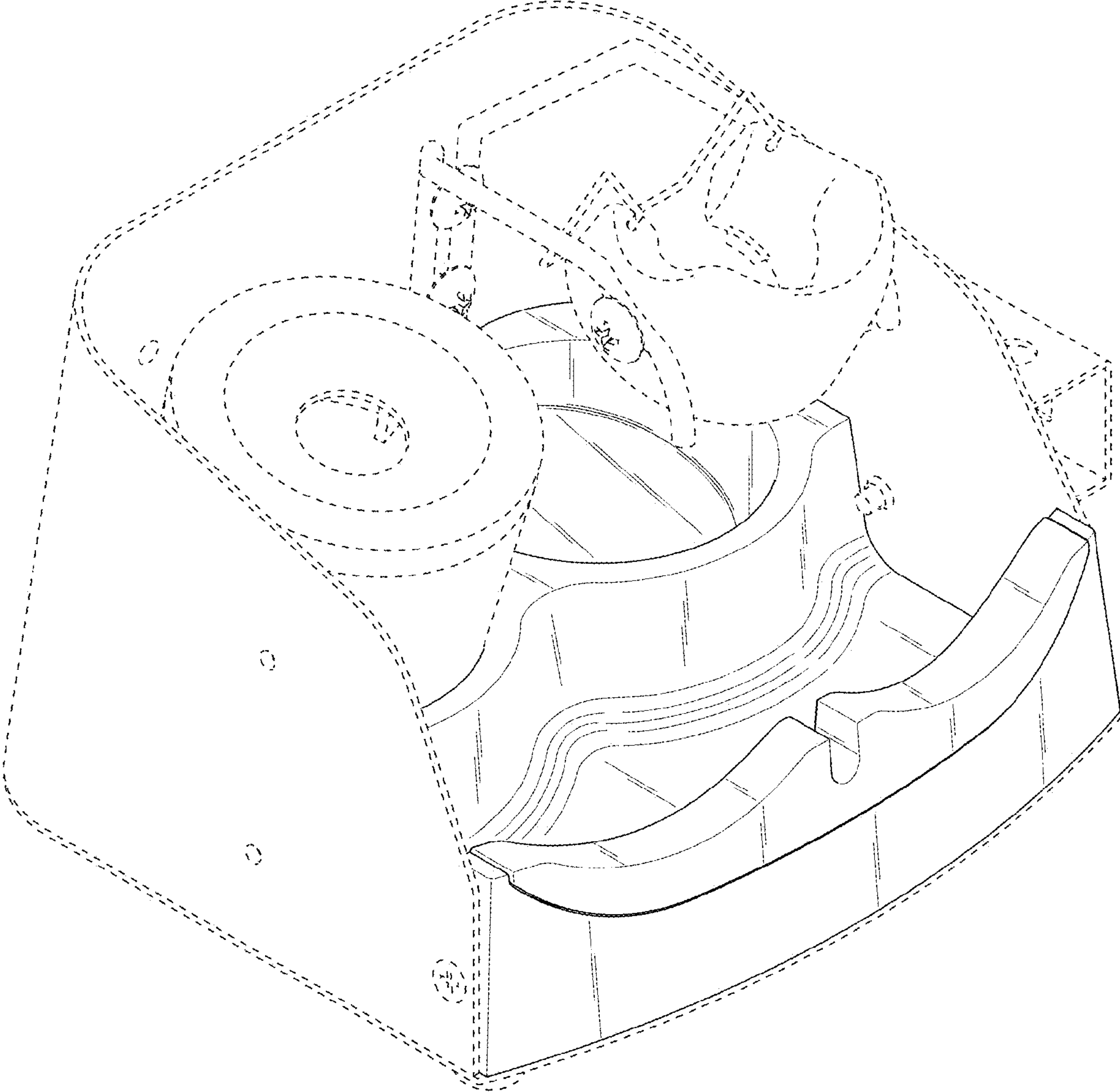


FIG.2

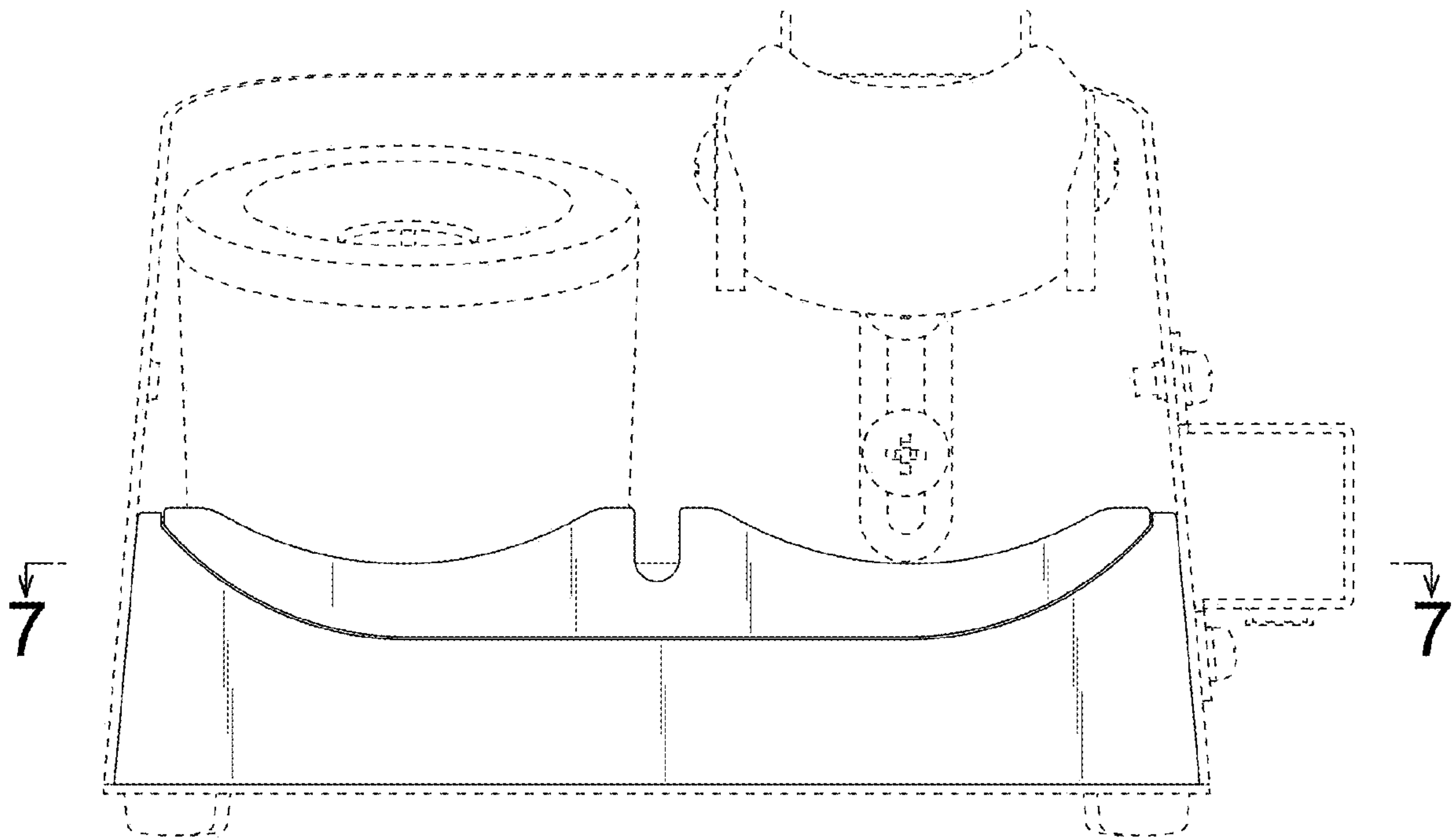


FIG.3

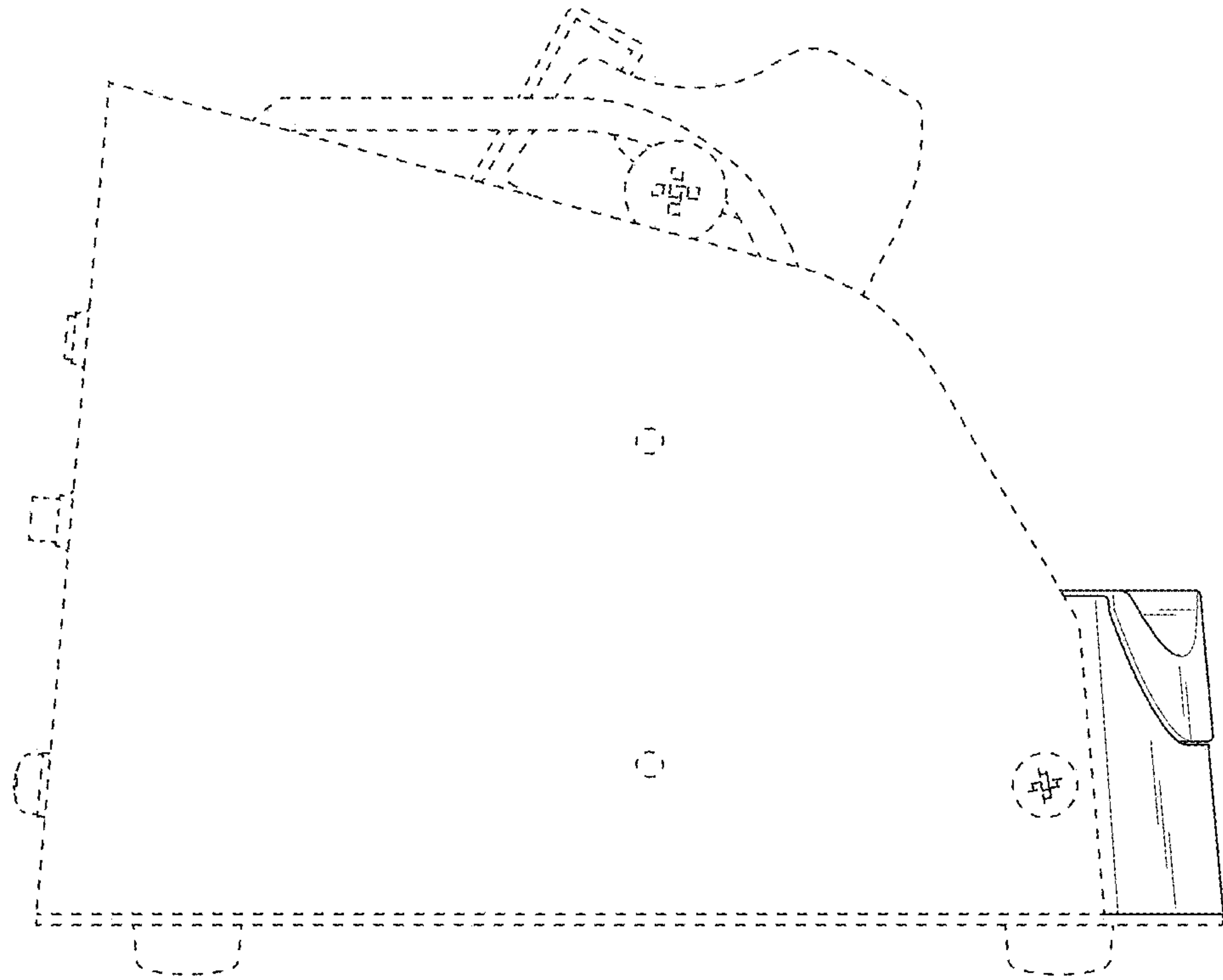


FIG.4

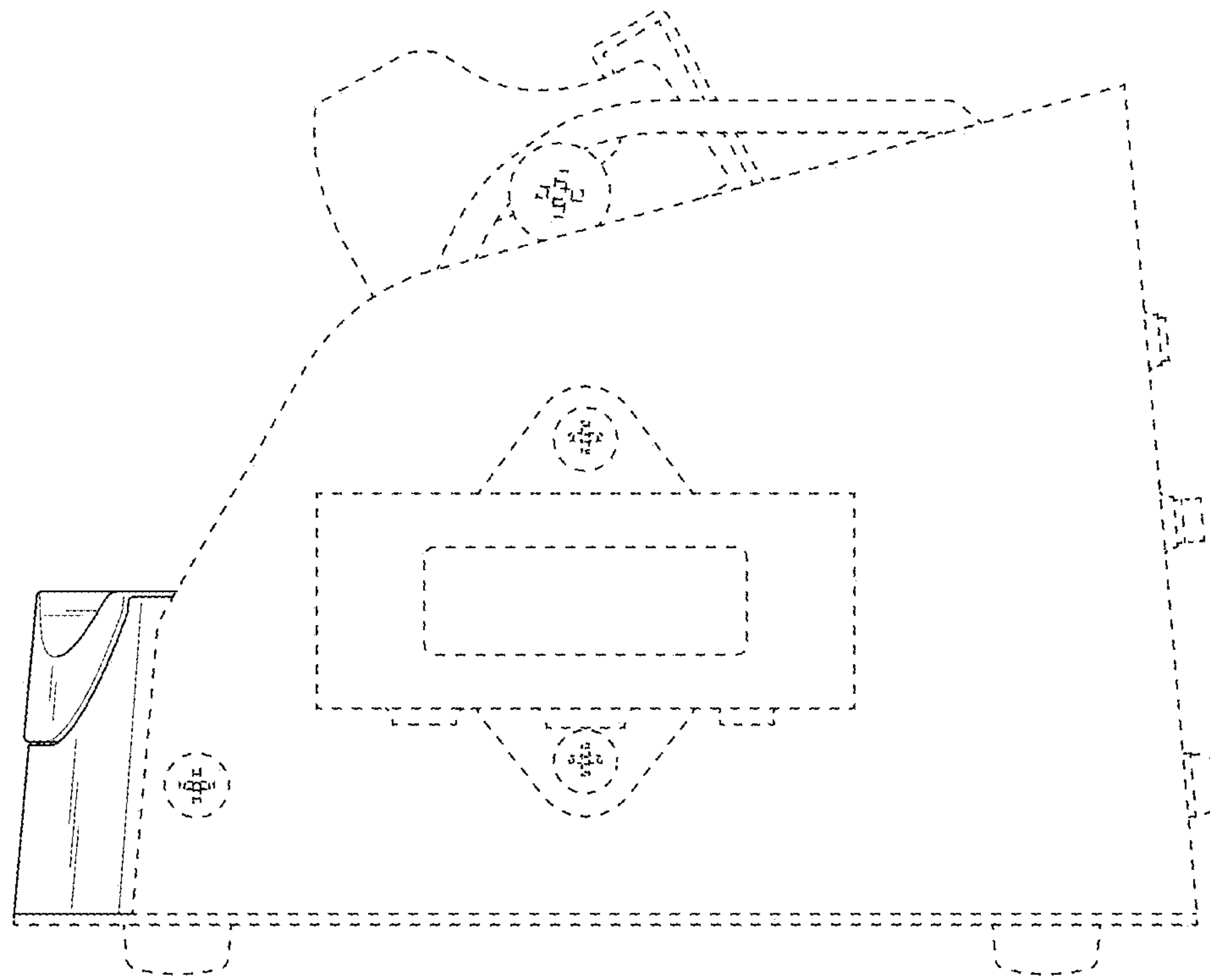


FIG.5



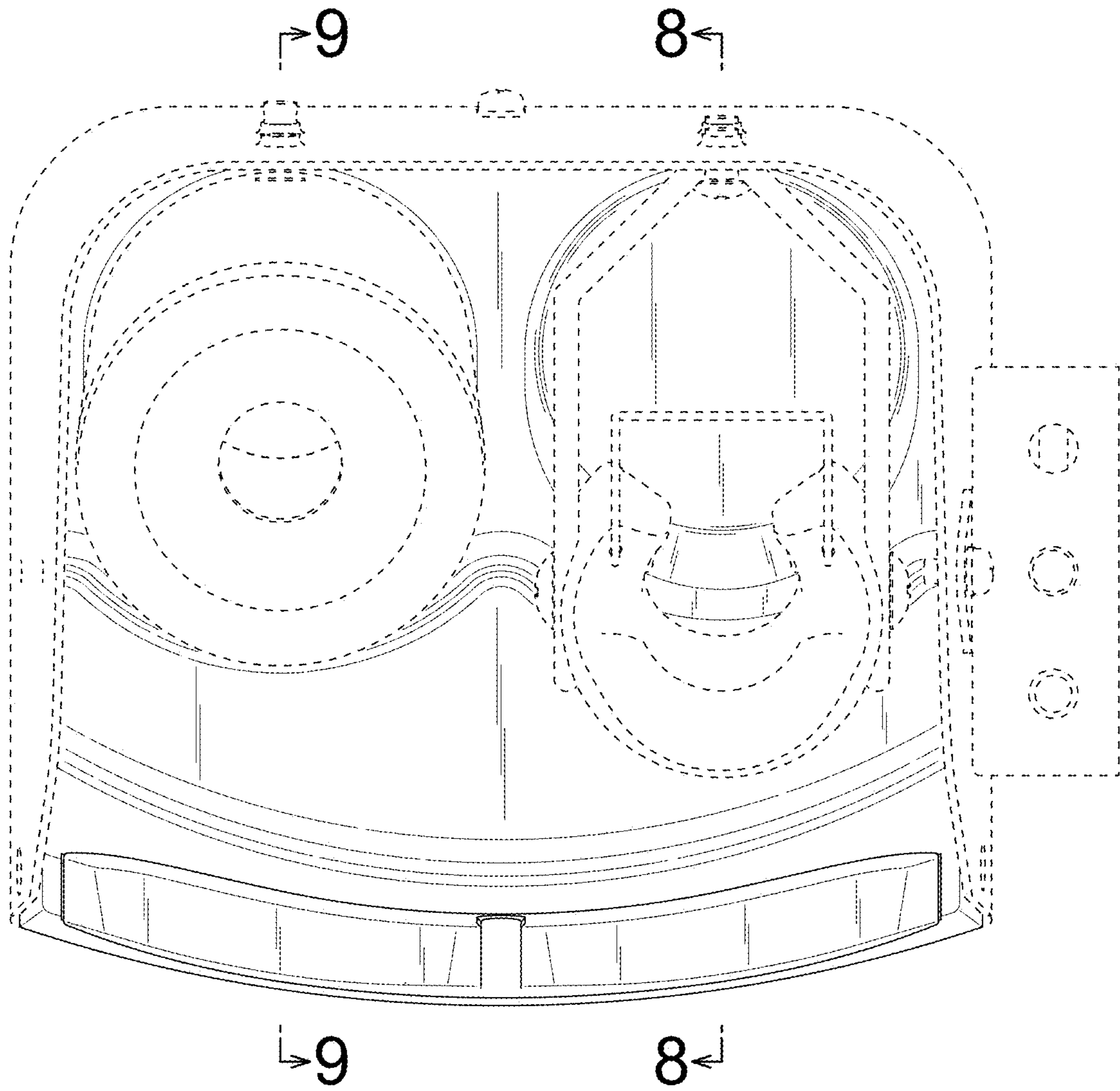


FIG.6

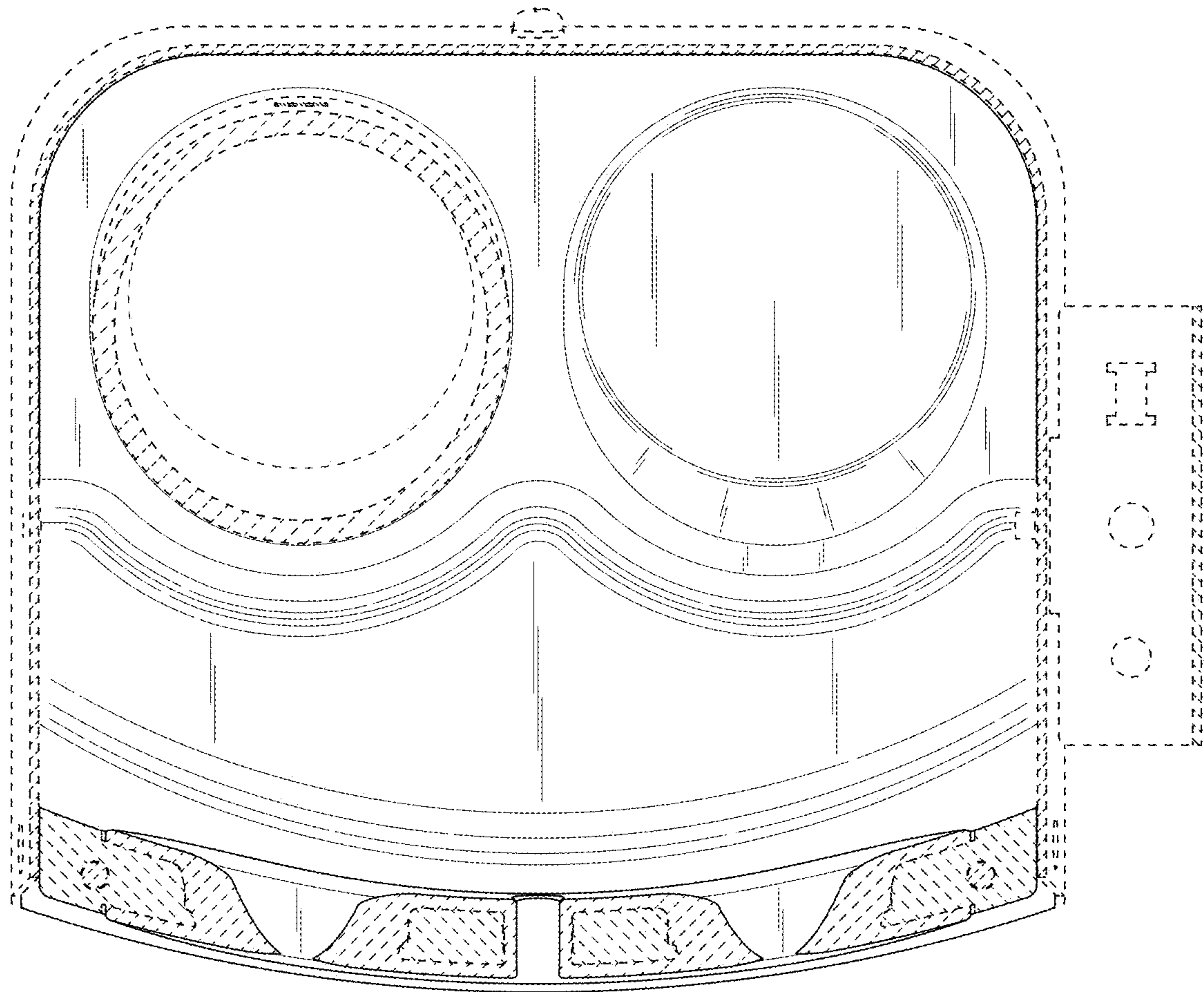


FIG.7



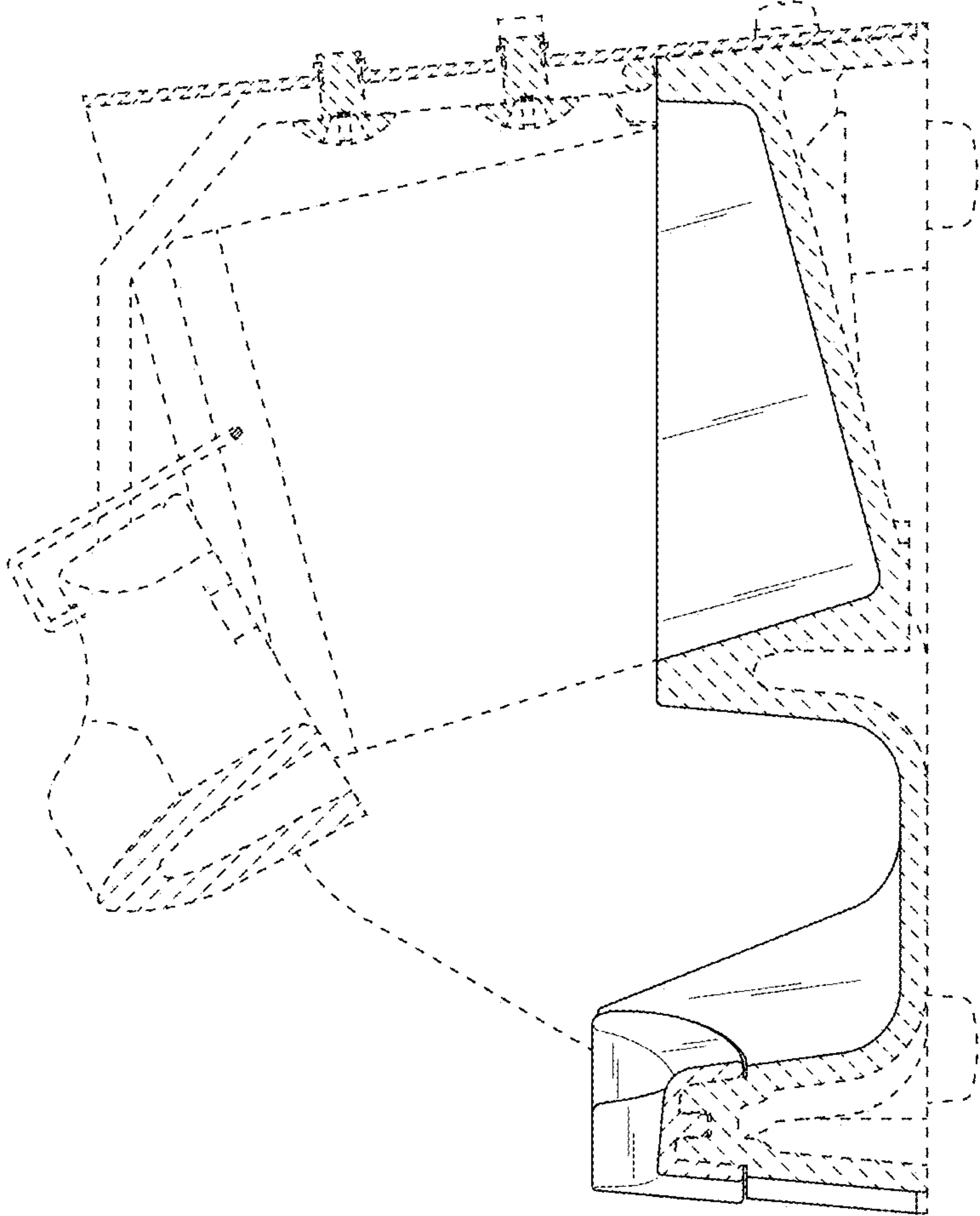


FIG.8

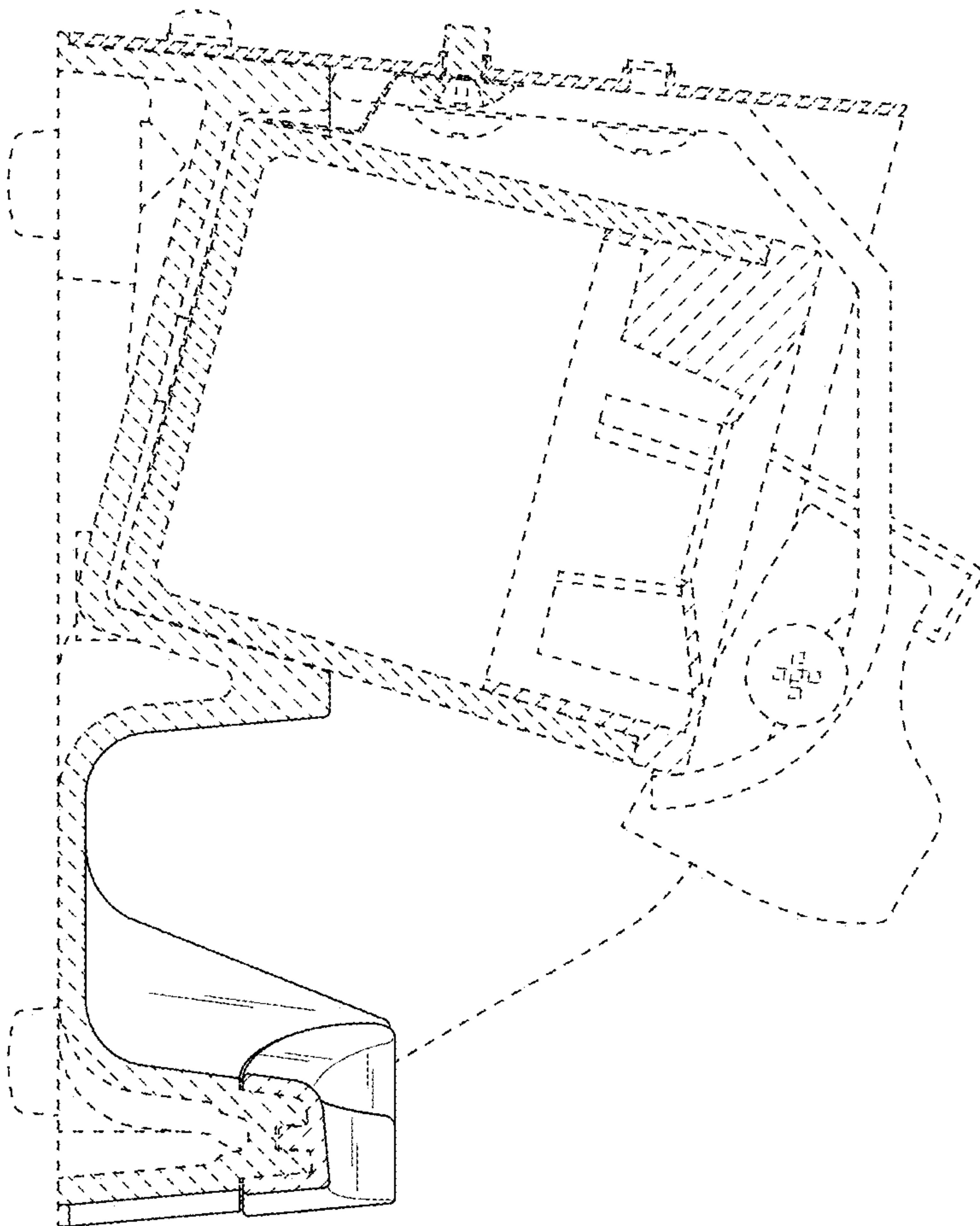


FIG.9