



US00D902681S

(12) **United States Design Patent** (10) **Patent No.:** **US D902,681 S**
Näslund et al. (45) **Date of Patent:** **** Nov. 24, 2020**

(54) **CHAINSAW**

(71) Applicant: **Changzhou Globe Co., Ltd.**,
Changzhou (CN)

(72) Inventors: **Jens Näslund**, Spånga (SE); **Chang Wang**, Jiangsu (CN); **Jie Kuang**,
Jiangsu (CN)

(73) Assignee: **Globe (Jiangsu) Co., Ltd.**, Changzhou
(CN)

(**) Term: **15 Years**

(21) Appl. No.: **29/641,899**

(22) Filed: **Mar. 26, 2018**

(30) **Foreign Application Priority Data**

Sep. 27, 2017 (CN) 2017 3 0463262

(51) **LOC (12) Cl.** **08-03**

(52) **U.S. Cl.**
USPC **D8/65**

(58) **Field of Classification Search**
USPC D8/65; D15/133
CPC B27B 17/00; B27B 17/02; B27B 17/025;
B27B 17/04; B27B 17/0008; A01G 3/00;
A01G 3/053; A01G 3/0535; A01G 3/062;
A01G 3/067; B25F 5/02; B23D 57/02;
B23D 57/023
See application file for complete search history.

(56) **References Cited**

U.S. PATENT DOCUMENTS

D641,603 S * 7/2011 Tinius D8/65
D658,959 S * 5/2012 Landberg D8/65

D690,570 S * 10/2013 Tinius D8/65
D711,700 S * 8/2014 Mehra D8/65
D725,452 S 3/2015 Carl et al.
D755,033 S * 5/2016 Zhou D8/65
D767,962 S * 10/2016 Schoch D8/65
D790,303 S * 6/2017 Tinius D8/65
D805,869 S * 12/2017 Baxter D8/65
D860,744 S * 9/2019 Lau D8/65
2006/0230900 A1 * 10/2006 Bergquisto B27B 17/14
83/381
2017/0297216 A1 * 10/2017 Kachi B27B 17/00
2018/0186027 A1 * 7/2018 McRoberts B27B 17/00
2018/0200917 A1 * 7/2018 Kachi B27B 17/0008
2019/0030746 A1 * 1/2019 Naganuma B27B 17/00
2019/0262753 A1 * 8/2019 Miura F02M 35/024

* cited by examiner

Primary Examiner — Sandra Snapp
Assistant Examiner — Jeisha N Price
(74) *Attorney, Agent, or Firm* — Dorton & Willis, LLP

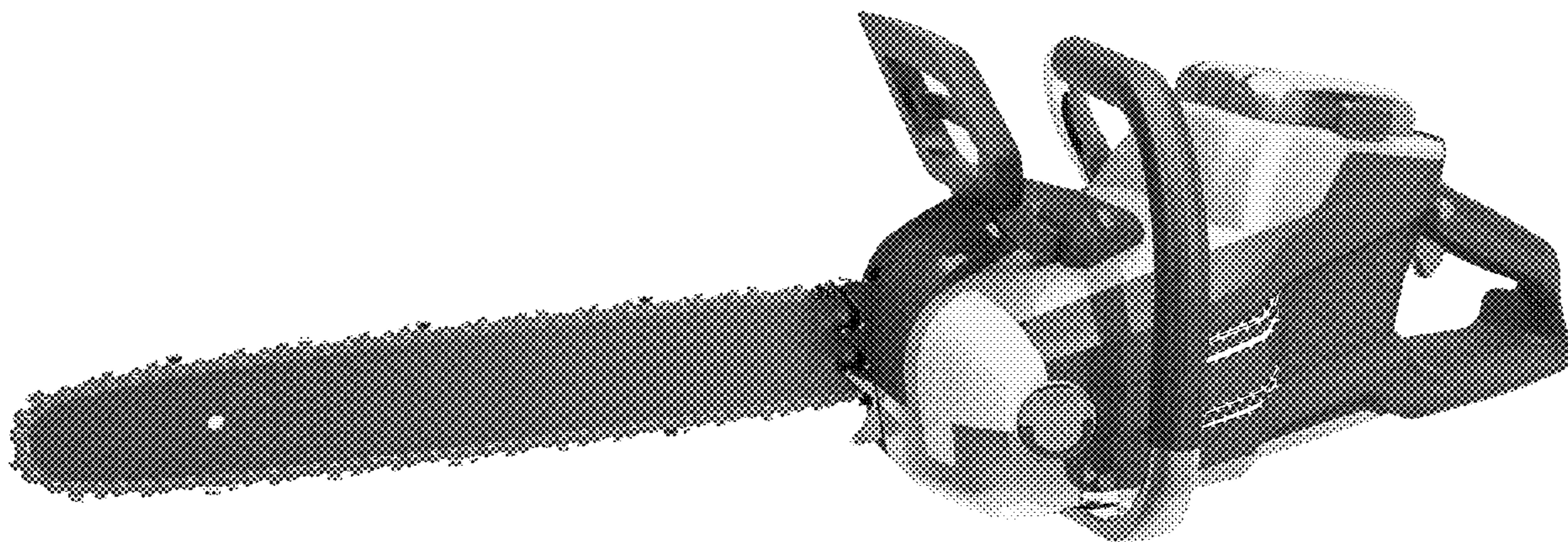
(57) **CLAIM**

The ornamental design for a chainsaw, as shown and described.

DESCRIPTION

FIG. 1 is front perspective view of a chainsaw according to the present invention.
FIG. 2 is a front view thereof.
FIG. 3 is a rear view thereof.
FIG. 4 is a left side view thereof.
FIG. 5 is a right side view thereof.
FIG. 6 is a top view thereof; and,
FIG. 7 is a bottom view thereof.
The superimposed areas, encased in broken lines, in the drawings illustrate portions of the chainsaw and form no part of the claimed design.

1 Claim, 7 Drawing Sheets



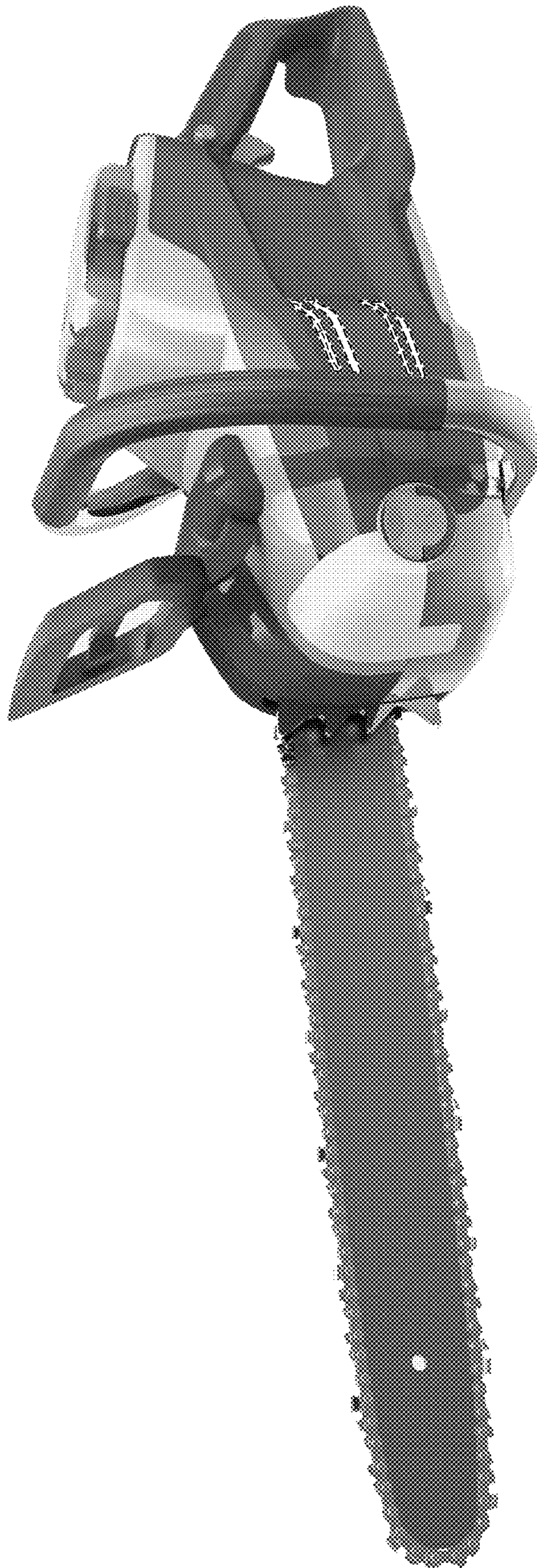


FIG. 1



FIG. 2

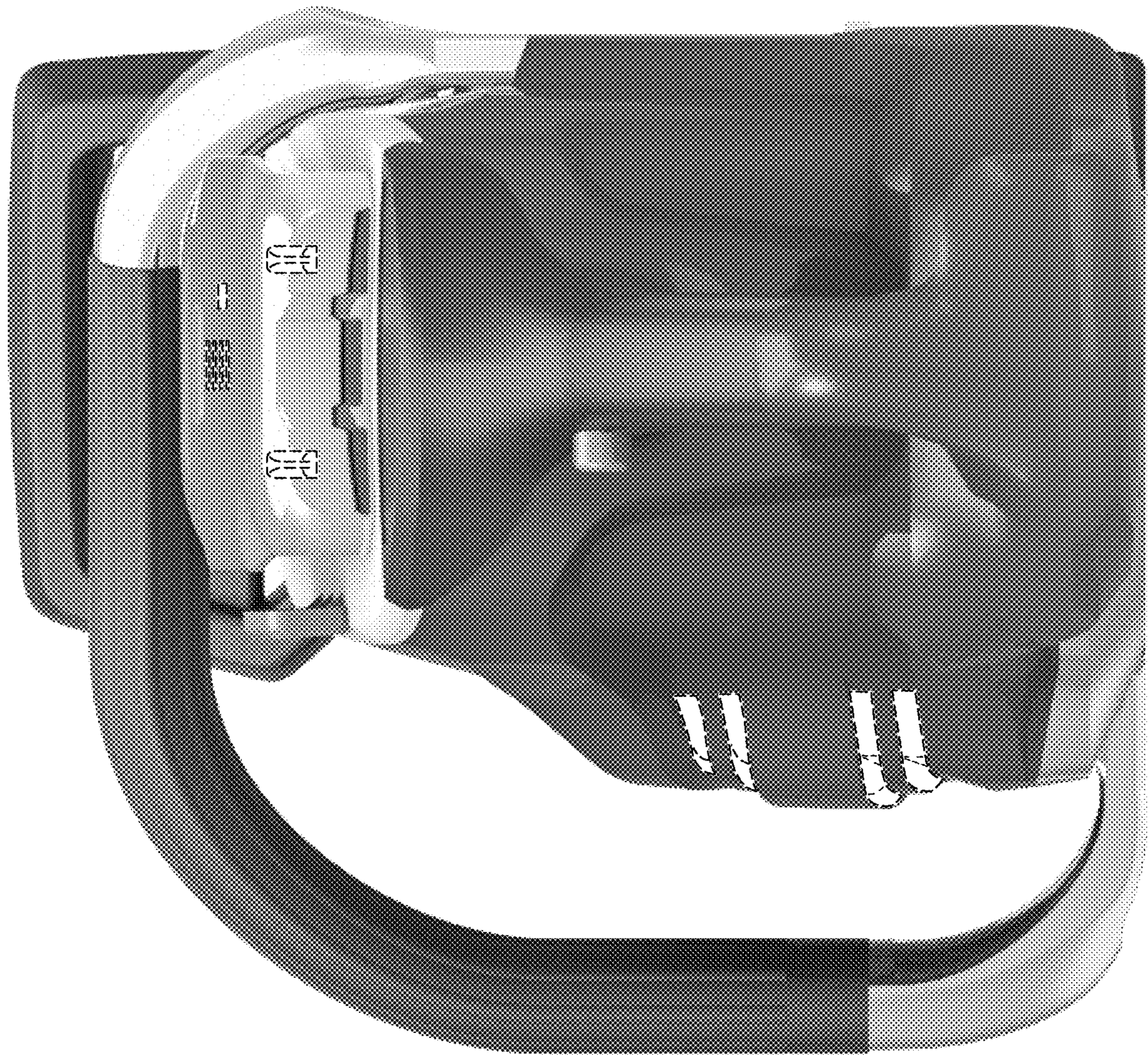


FIG. 3



FIG. 4

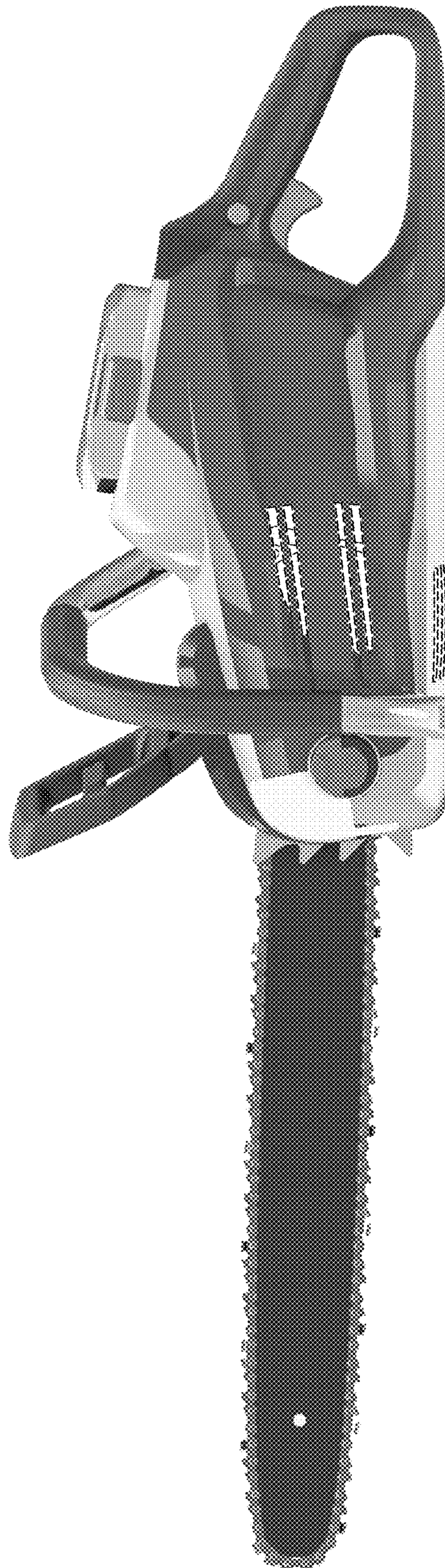


FIG. 5



FIG. 6

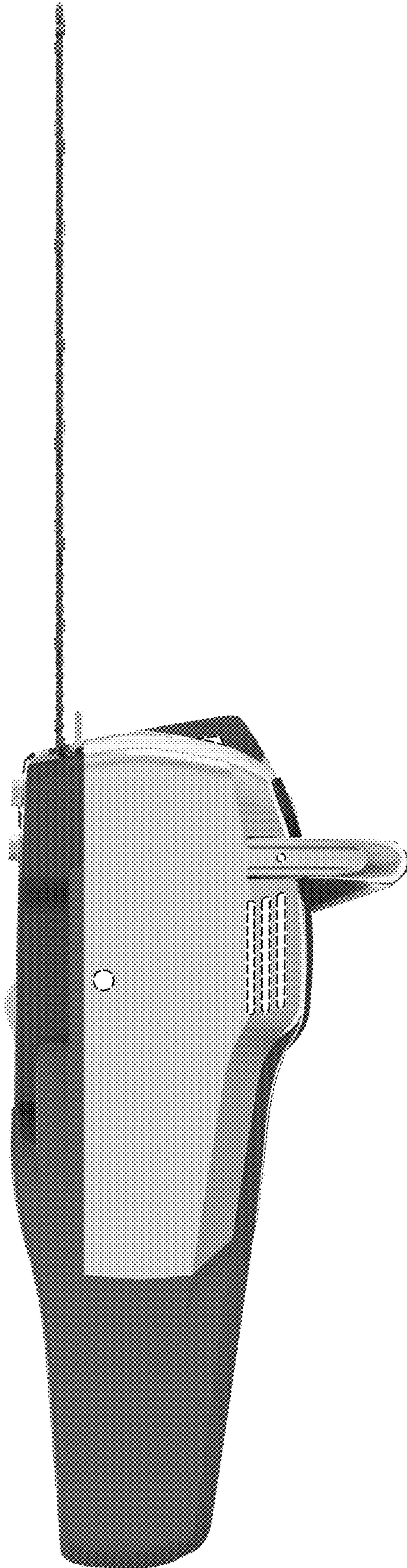


FIG. 7