



US00D902680S

(12) **United States Design Patent**
Kamiyama et al.

(10) **Patent No.:** **US D902,680 S**

(45) **Date of Patent:** **** Nov. 24, 2020**

(54) **SCISSORS**

(71) Applicant: **Shachihata Inc.**, Nagoya (JP)

(72) Inventors: **Takeyuki Kamiyama**, Nagoya (JP);
Natsuki Yamada, Nagoya (JP);
Musashi Kimura, Nagoya (JP)

(73) Assignee: **SHACHIHATA INC.**, Nagoya (JP)

(**) Term: **15 Years**

(21) Appl. No.: **29/672,398**

(22) Filed: **Dec. 5, 2018**

(30) **Foreign Application Priority Data**

Jun. 11, 2018 (JP) 2018-012700

(51) **LOC (12) Cl.** **08-05**

(52) **U.S. Cl.**
USPC **D8/52; D8/57**

(58) **Field of Classification Search**
USPC D8/4, 5, 51-58; D19/163
CPC B25F 1/003; B26B 17/003
See application file for complete search history.

(56) **References Cited**

U.S. PATENT DOCUMENTS

D217,707 S * 6/1970 Laughlin D8/104
D263,350 S * 3/1982 Gingher, Jr. D3/18
D299,807 S * 2/1989 Sawa D22/118
D303,872 S * 10/1989 Tamamura D3/18
D382,455 S * 8/1997 Berg D8/52
D384,974 S * 10/1997 Sawano D19/65
D415,945 S * 11/1999 Kayson D8/100
D463,494 S * 9/2002 Mori D19/65

D472,124 S * 3/2003 Park D8/57
D488,364 S * 4/2004 Wong D8/57
D600,526 S * 9/2009 Avery D8/105
D648,203 S * 11/2011 Avery D8/105
D658,962 S * 5/2012 Green D8/105
D715,359 S * 10/2014 Morales D19/163
D722,645 S * 2/2015 Kimura D19/163
D863,925 S * 10/2019 Sung D8/99

FOREIGN PATENT DOCUMENTS

JP 1011770-1 S 6/1998
JP 1011770 S 6/1998
JP 1178139 S 6/2003
JP 1483425 S 11/2013
JP 1546637 S 3/2016

* cited by examiner

Primary Examiner — Deanna L Pratt

(74) *Attorney, Agent, or Firm* — Westerman, Hattori,
Daniels & Adrian, LLP

(57) **CLAIM**

An ornamental design for the scissors, as shown and described hereunder.

DESCRIPTION

FIG. 1 is an upper-right perspective view of an embodiment of our new design of the scissors, FIG. 2 is a front elevation thereof, FIG. 3 is a rear elevation thereof, FIG. 4 is a right-side elevation thereof, FIG. 5 is a left-side elevation thereof, FIG. 6 is a top plan view thereof, FIG. 7 is a bottom plan view thereof; and, FIG. 8 is an upper-right perspective view in a state of use with the cap removed.

1 Claim, 3 Drawing Sheets

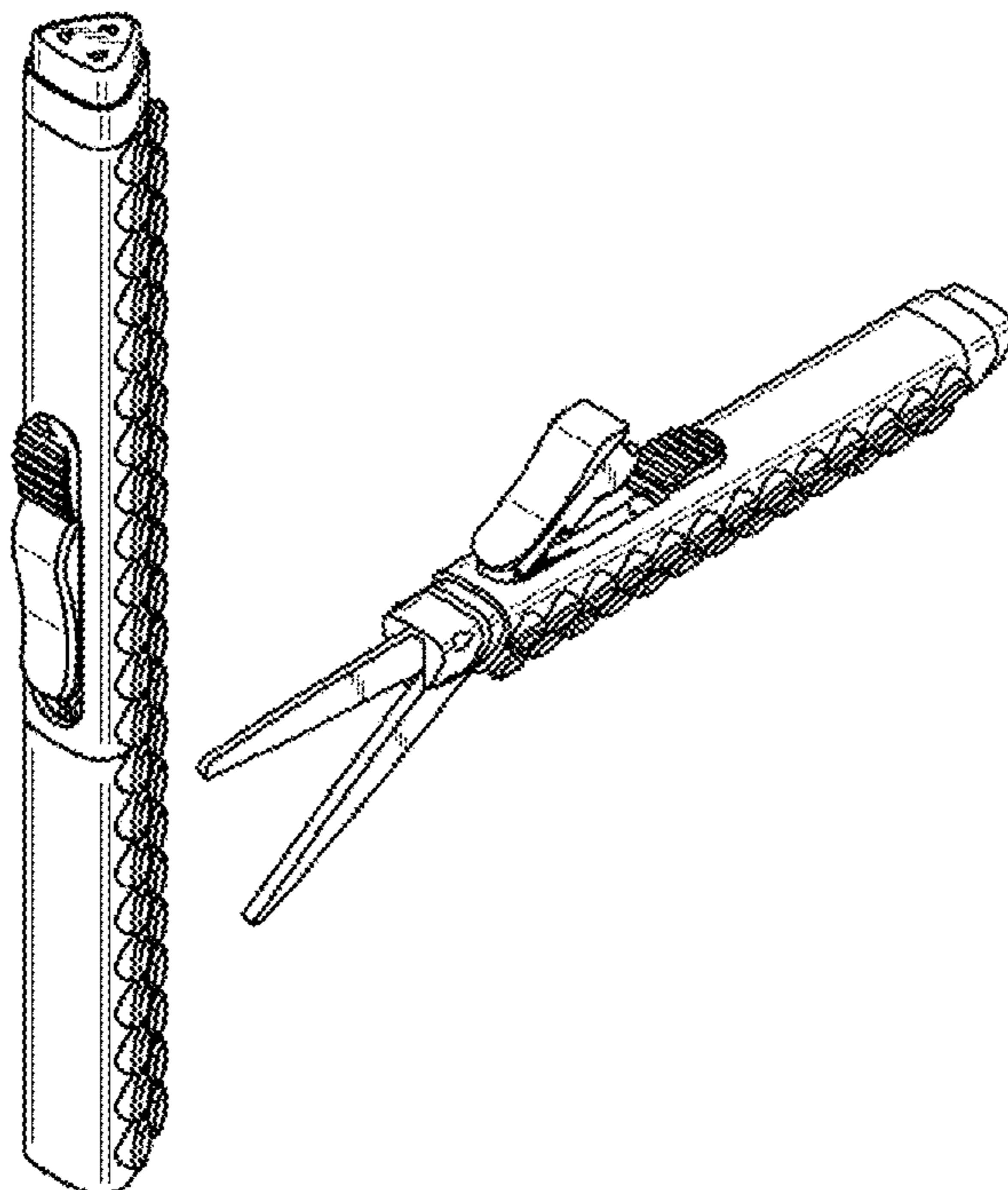


FIG.1

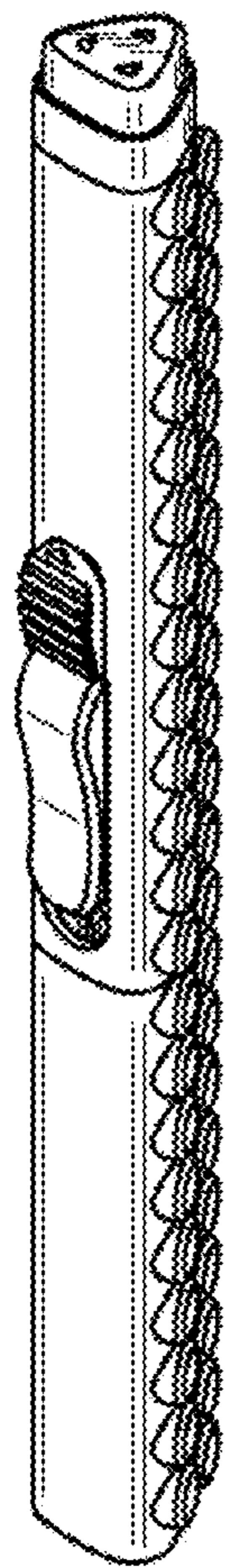


FIG.2

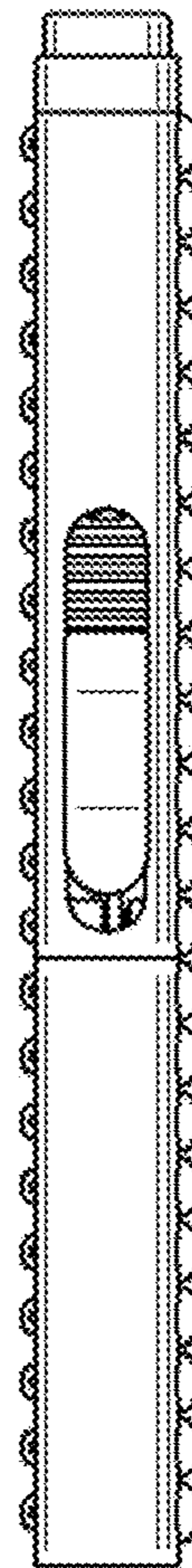


FIG.3

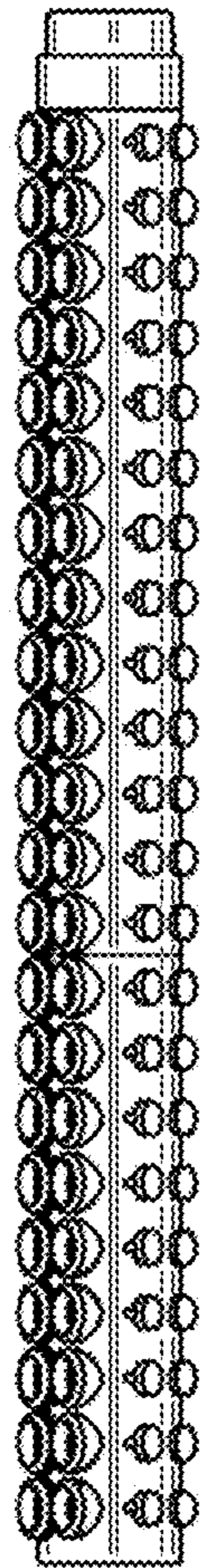


FIG.4

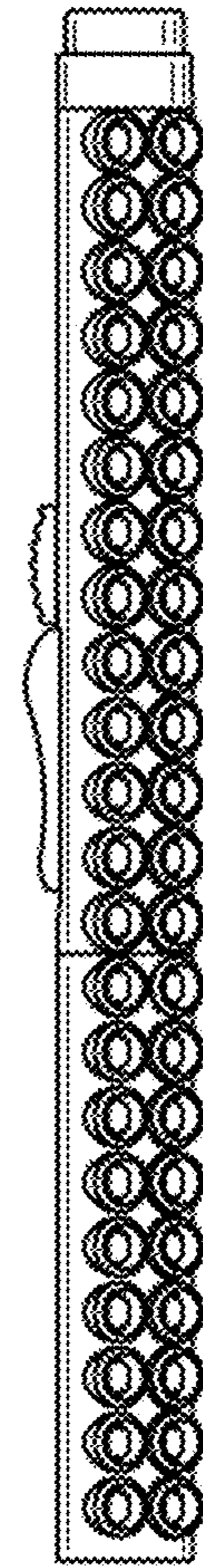


FIG.5

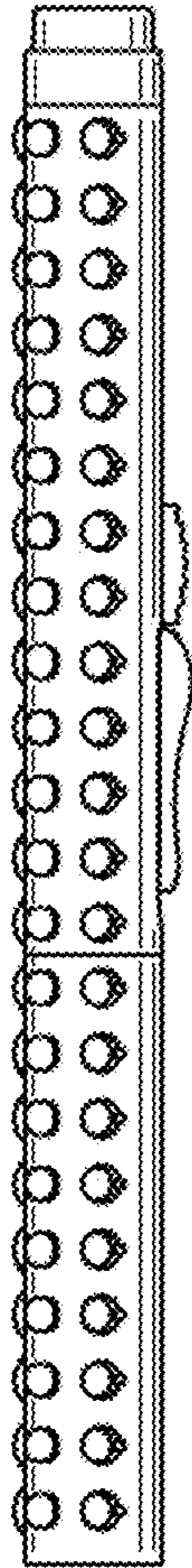


FIG.6



FIG.7



FIG.8

