



US00D902677S

(12) **United States Design Patent**
Pearce

(10) **Patent No.:** **US D902,677 S**

(45) **Date of Patent:** **** Nov. 24, 2020**

(54) **ROOT CUTTER ATTACHMENT**

5,285,854 A 2/1994 Thacker et al.
D350,464 S * 9/1994 Colonello A01C 5/068
D8/13

(71) Applicant: **Chase Pearce**, Okeechobee, FL (US)

6,279,665 B1 8/2001 Devaney

(72) Inventor: **Chase Pearce**, Okeechobee, FL (US)

6,330,922 B1 12/2001 King

6,662,479 B2 12/2003 Chaney

(**) Term: **15 Years**

2004/0068895 A1* 4/2004 Hetherington A01B 13/00
37/381

(21) Appl. No.: **29/689,972**

* cited by examiner

(22) Filed: **May 3, 2019**

Primary Examiner — Sheryl Lane

(51) **LOC (12) Cl.** **08-03**

Assistant Examiner — Calvin E Vansant

(52) **U.S. Cl.**

(74) *Attorney, Agent, or Firm* — Cramer Patent & Design,
PLLC; Aaron R. Cramer

USPC **D8/7**

(58) **Field of Classification Search**

USPC D8/1, 7–13, 107, 499

CPC A01B 1/04; A01B 1/02; A01B 1/12; A01B
1/18; A01B 13/00; A01D 34/412; A01D
34/416; A01G 3/00; A01G 3/053; A01G
3/062; A01G 3/0535; B25F 5/02; B23D
51/08; B23D 51/10; F16H 57/0025; F16H
57/0495; A01C 5/064; A01C 5/068

See application file for complete search history.

(57) **CLAIM**

The ornamental design for a root cutter attachment, as shown and described.

DESCRIPTION

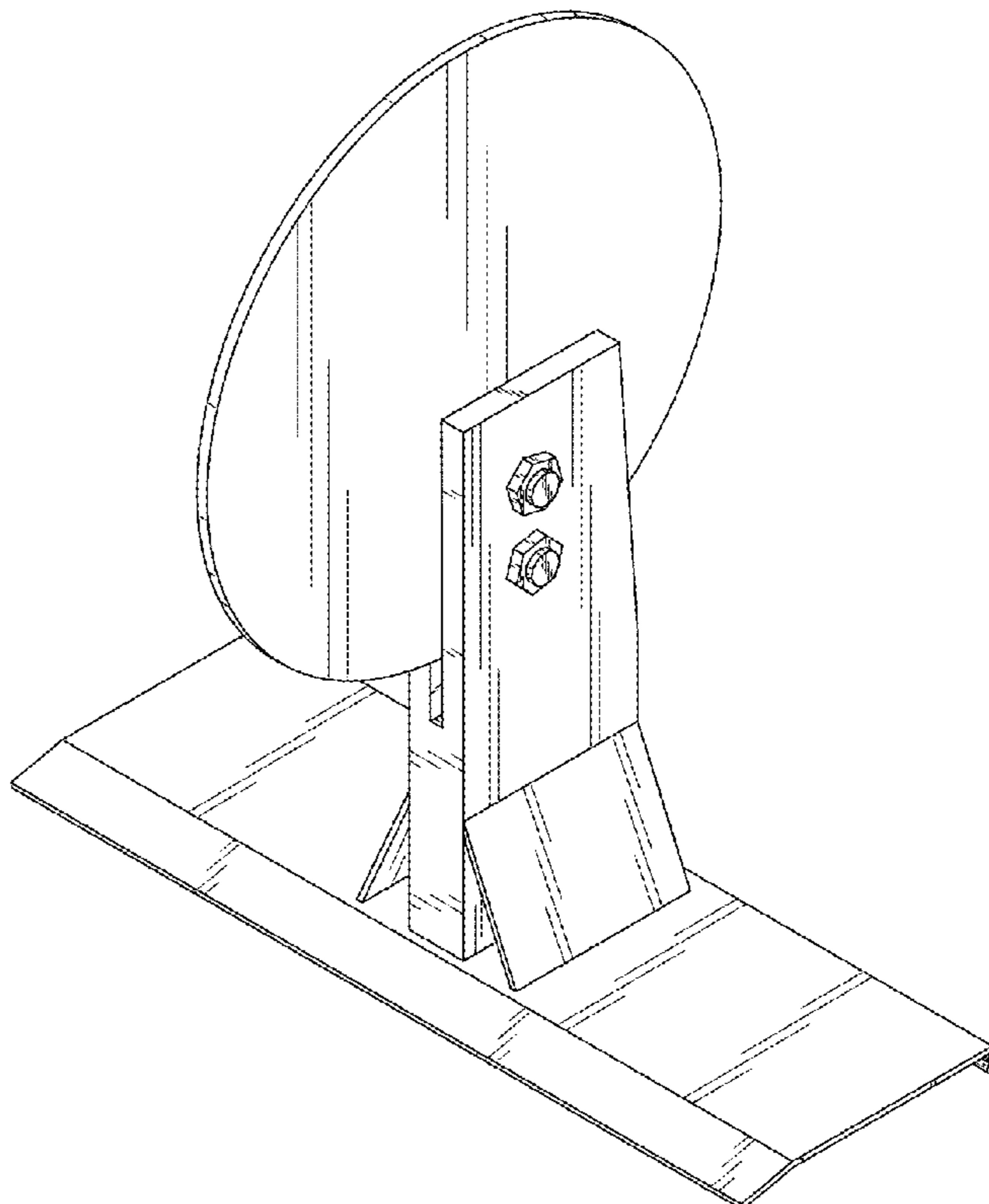
FIG. 1 is a perspective top front right view of a root cutter attachment, showing my new design; FIG. 2 is a perspective top rear left view thereof; FIG. 3 is a front elevation view thereof; FIG. 4 is a rear elevation view thereof; FIG. 5 is a left elevation view thereof; FIG. 6 is a right elevation view thereof; FIG. 7 is a top plan view thereof; and, FIG. 8 is a bottom plan view thereof.

(56) **References Cited**

U.S. PATENT DOCUMENTS

358,246 A * 2/1887 Arnett A01B 23/06
172/604
4,295,532 A 10/1981 Williams et al.
4,520,742 A 6/1985 Anderson
4,596,199 A * 6/1986 Dietrich, Sr. A01C 5/068
111/123
4,903,418 A 2/1990 Loudon

1 Claim, 7 Drawing Sheets



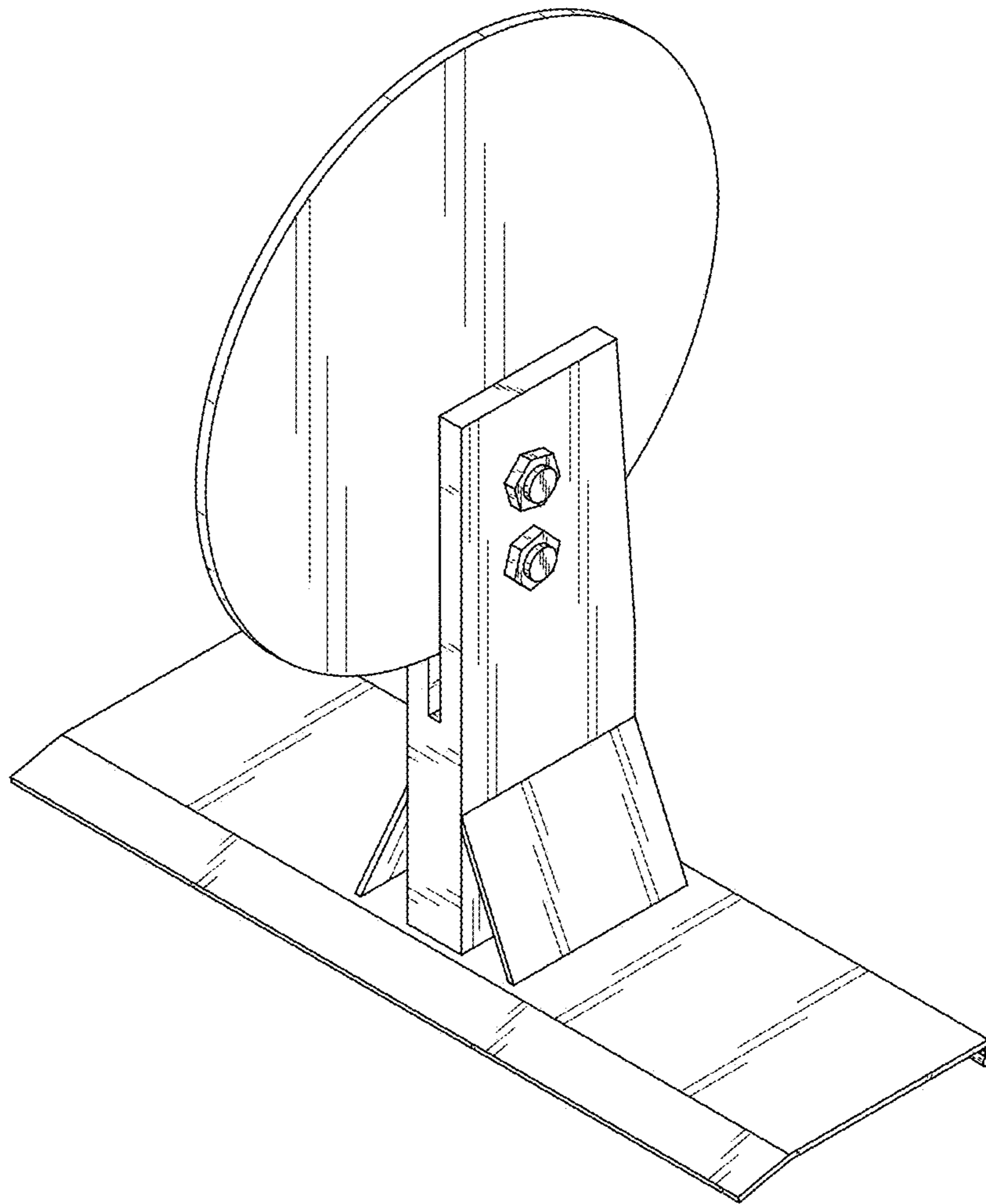


FIG. 1

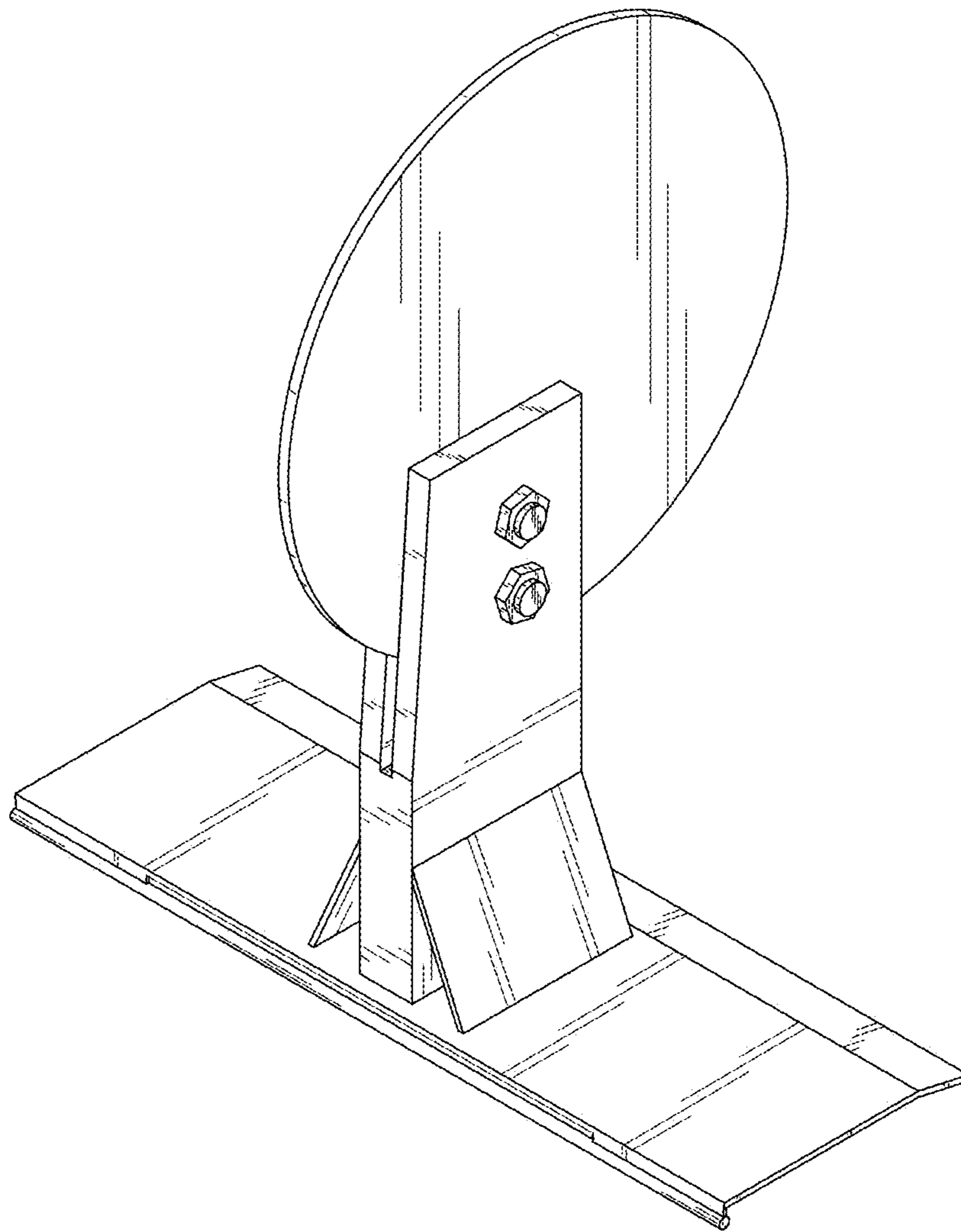


FIG. 2

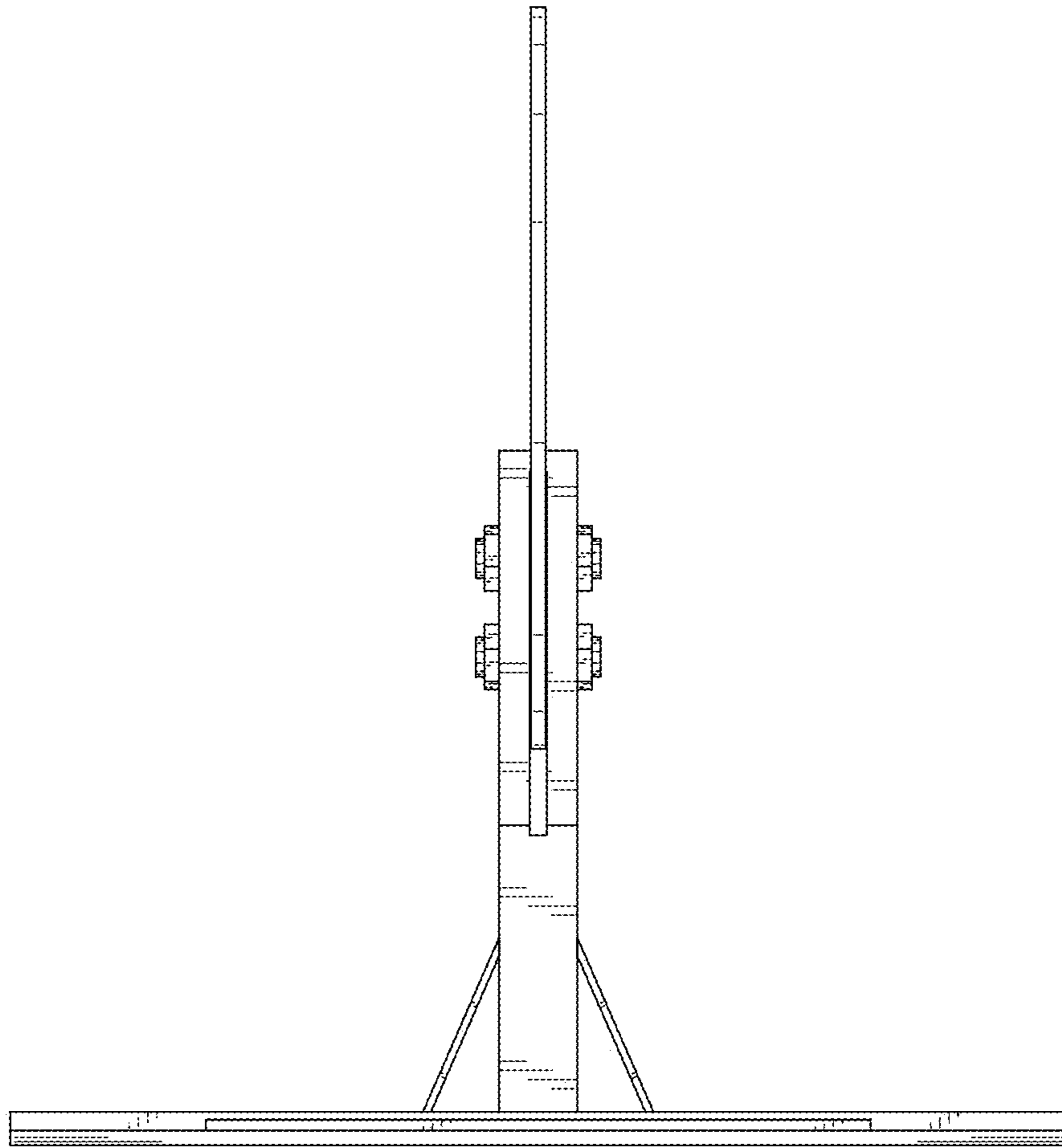


FIG. 3

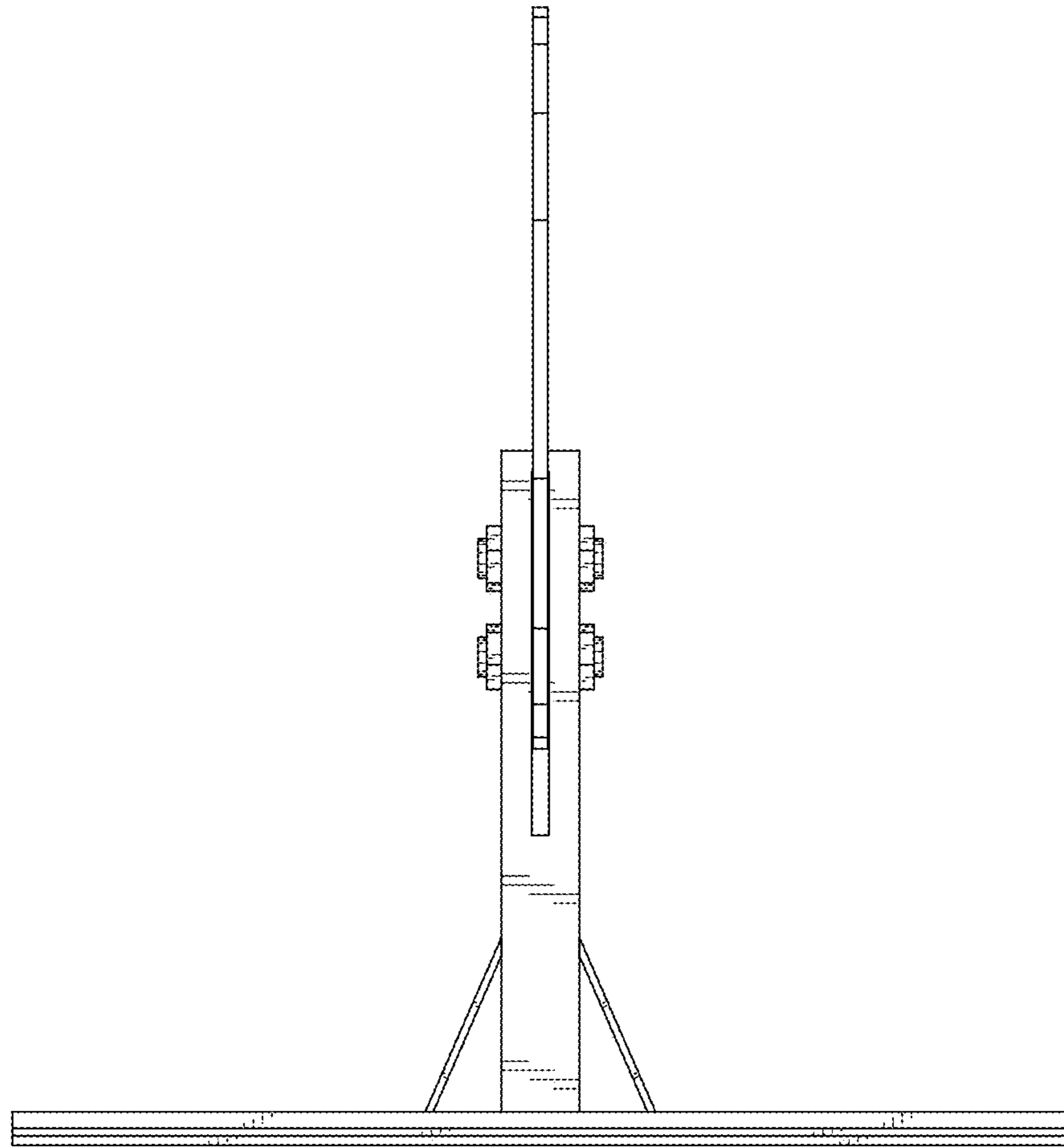


FIG. 4

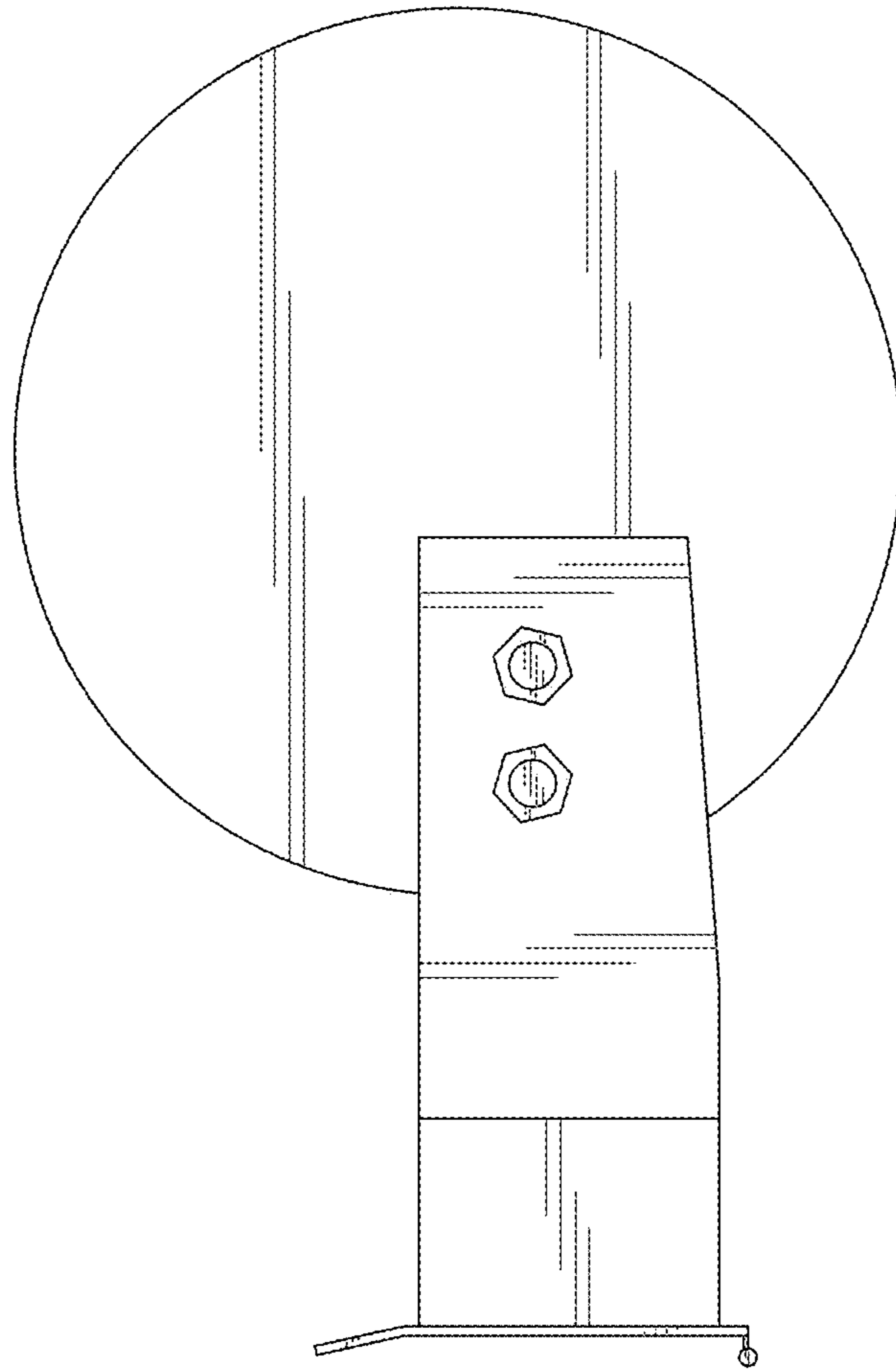


FIG. 5

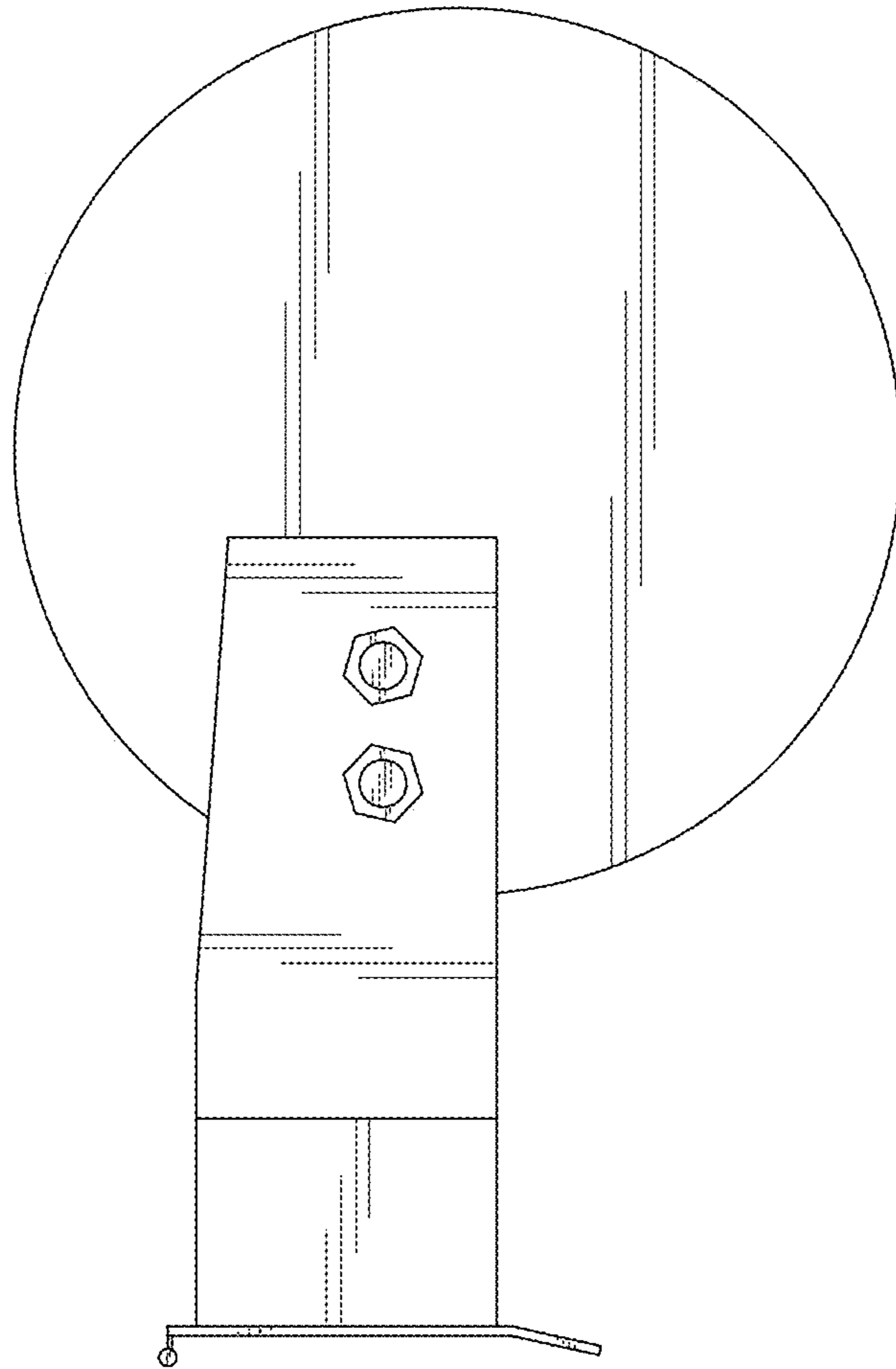


FIG. 6

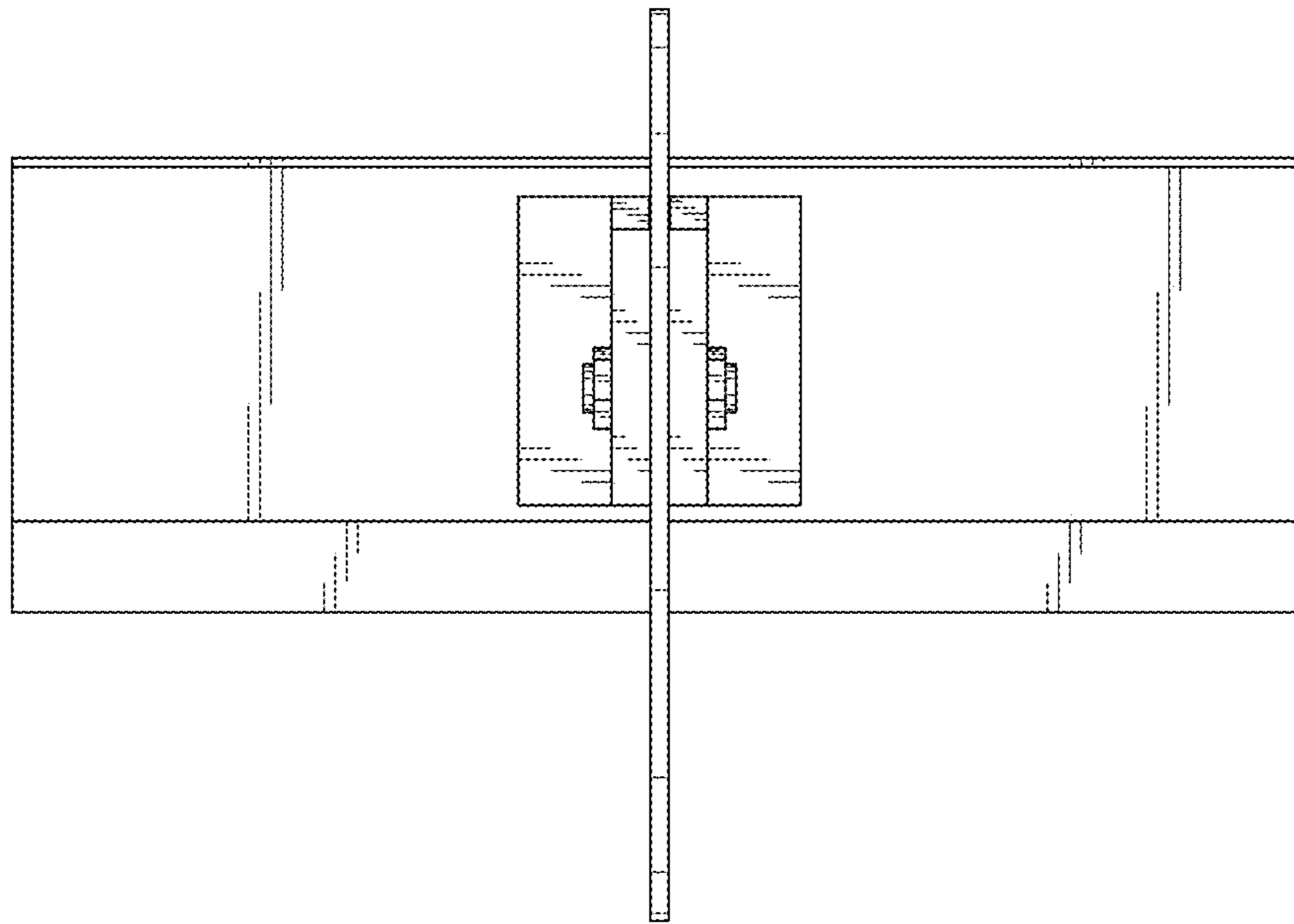


FIG. 7

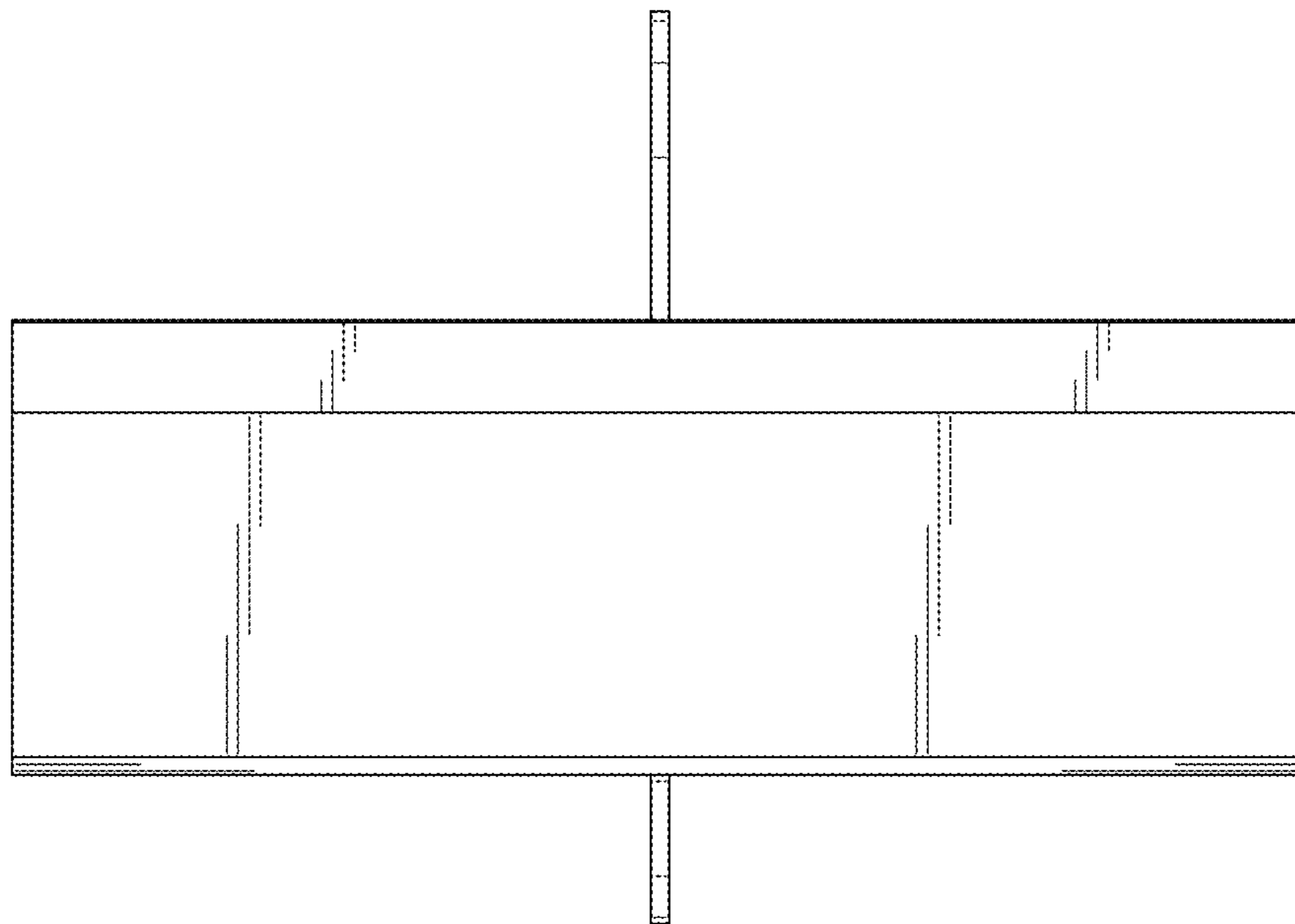


FIG. 8