



US00D902676S

(12) **United States Design Patent**
Mei

(10) **Patent No.:** **US D902,676 S**

(45) **Date of Patent:** **** Nov. 24, 2020**

(54) **CHOPPING BOARD**

(71) Applicant: **Ningbo Mengo Kitchen Equipment Co., Ltd., Ningbo (CN)**

(72) Inventor: **Haibin Mei, Ningbo (CN)**

(**) Term: **15 Years**

(21) Appl. No.: **29/695,849**

(22) Filed: **Jun. 21, 2019**

(51) **LOC (12) Cl.** **07-04**

(52) **U.S. Cl.**
USPC **D7/698**

(58) **Field of Classification Search**
USPC D7/543, 549, 550.1, 586, 693, 698-699;
D19/113; D20/27; D32/55-57
CPC A47J 47/00; A47J 47/005; A47J 47/20;
B26D 7/0006; B26D 7/018; B26D 7/20;
B23D 21/00; B23K 37/04; B23K 37/053;
B23Q 16/001

See application file for complete search history.

(56) **References Cited**

U.S. PATENT DOCUMENTS

4,907,789 A * 3/1990 Tice A47J 47/005
269/13
D348,374 S * 7/1994 Dandurand D7/698
5,386,978 A * 2/1995 Ladwig A47J 47/005
269/289 R

5,984,294 A * 11/1999 Bogomolny A47J 47/005
269/289 R
D630,914 S * 1/2011 Aviles D7/698
D669,531 S * 10/2012 Kong D19/113
D803,640 S * 11/2017 Grimm D7/698
D823,395 S * 7/2018 McWilliam D20/27
D880,260 S * 4/2020 Hamilton D7/698
D882,357 S * 4/2020 Zhang D7/698
D887,228 S * 6/2020 Kwiatkowski D7/698

* cited by examiner

Primary Examiner — Ricky Pham

(74) *Attorney, Agent, or Firm* — W&K IP

(57) **CLAIM**

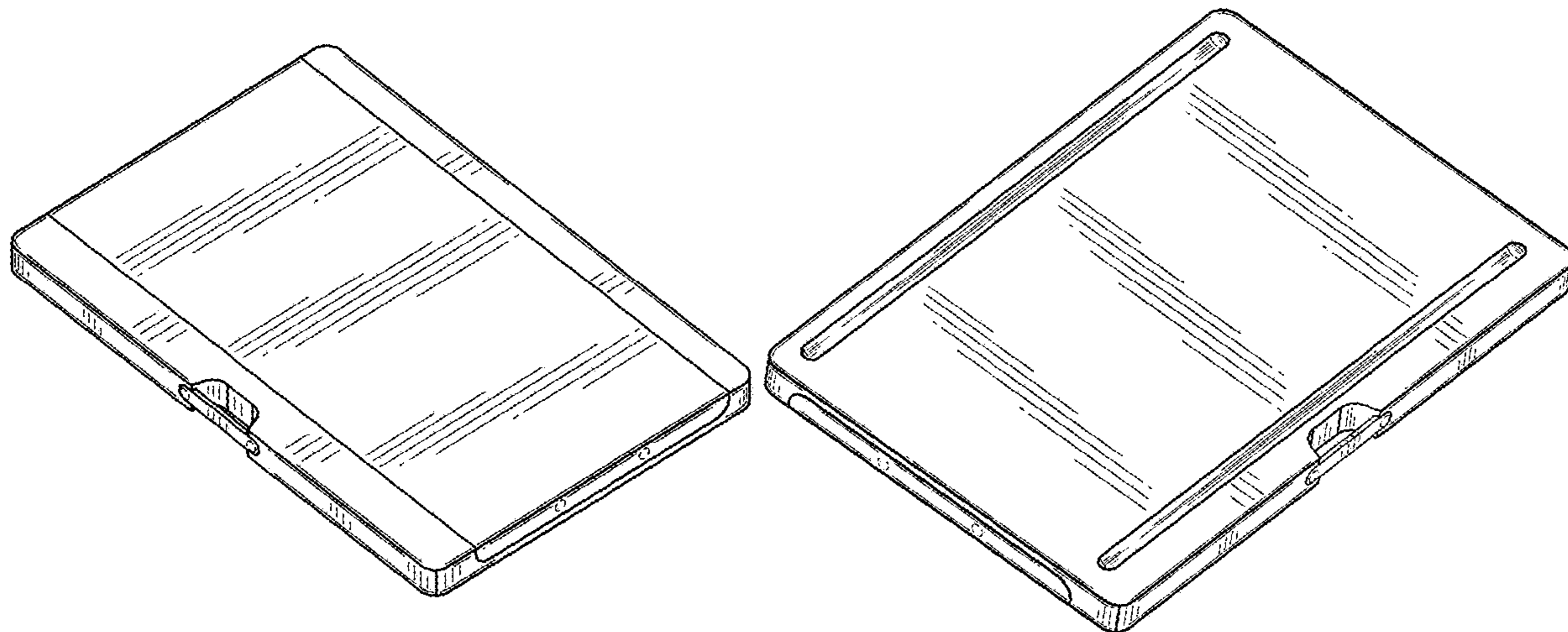
The ornamental design for a chopping board, as shown and described.

DESCRIPTION

FIG. 1 is a perspective view of a chopping board, showing my new design;
FIG. 2 is another perspective view thereof;
FIG. 3 is a front elevational view thereof;
FIG. 4 is a rear elevational view thereof;
FIG. 5 is a left elevational view thereof;
FIG. 6 is a right elevational view thereof;
FIG. 7 is a top plan view thereof; and,
FIG. 8 is a bottom plan view thereof.

The broken lines where present illustrate portions of the chopping board that form no part of the claimed design.

1 Claim, 8 Drawing Sheets



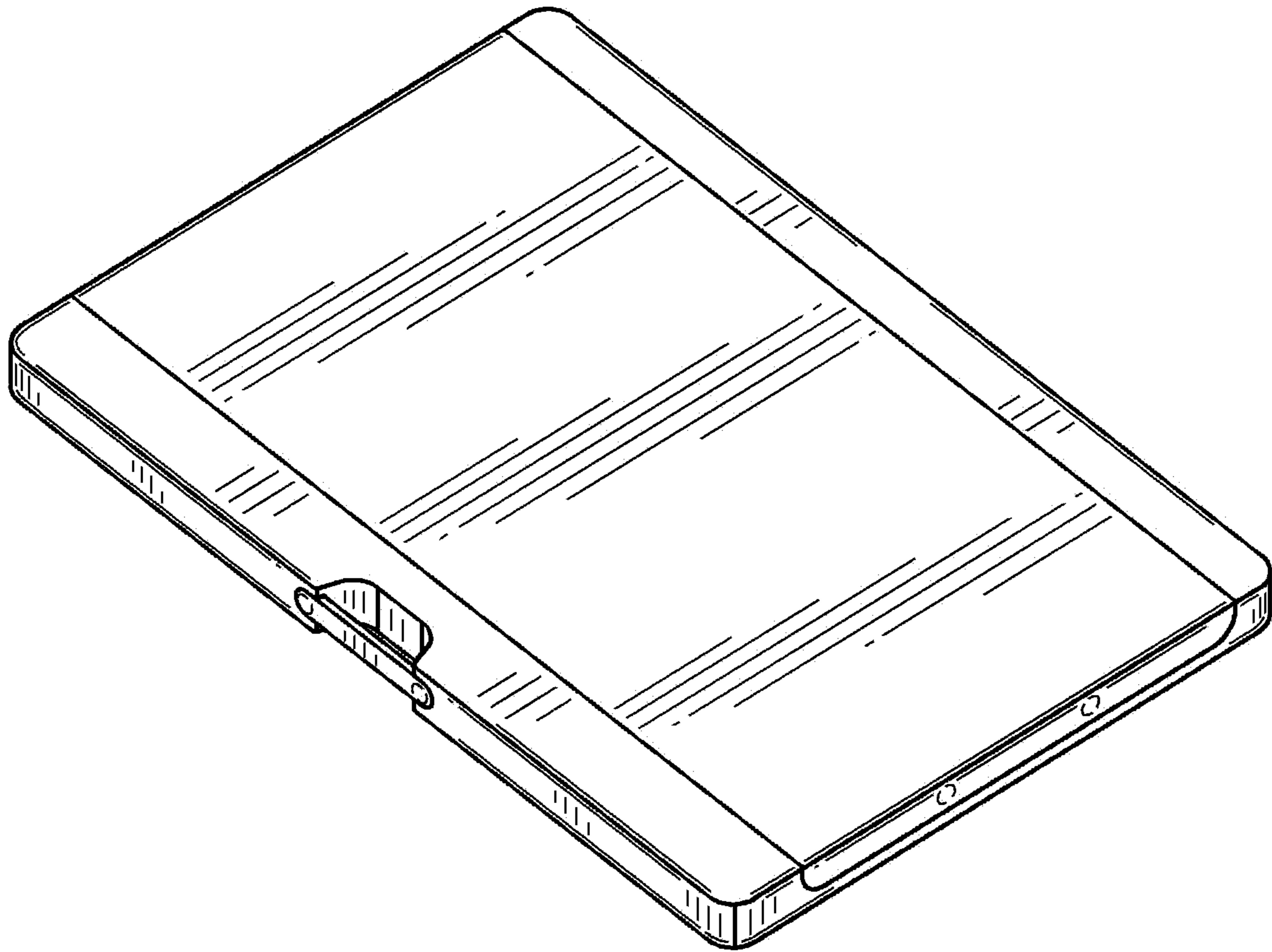


FIG. 1

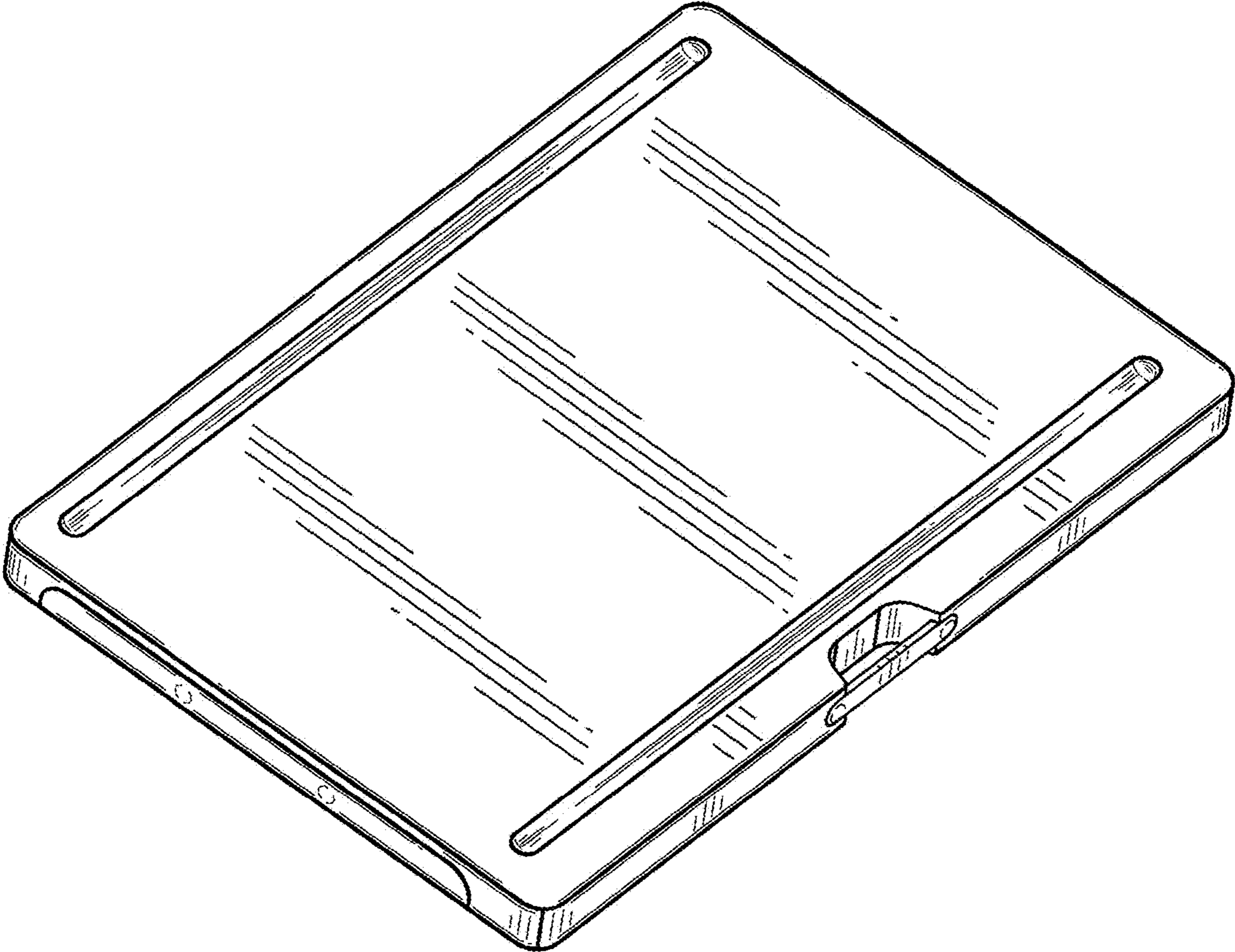


FIG. 2

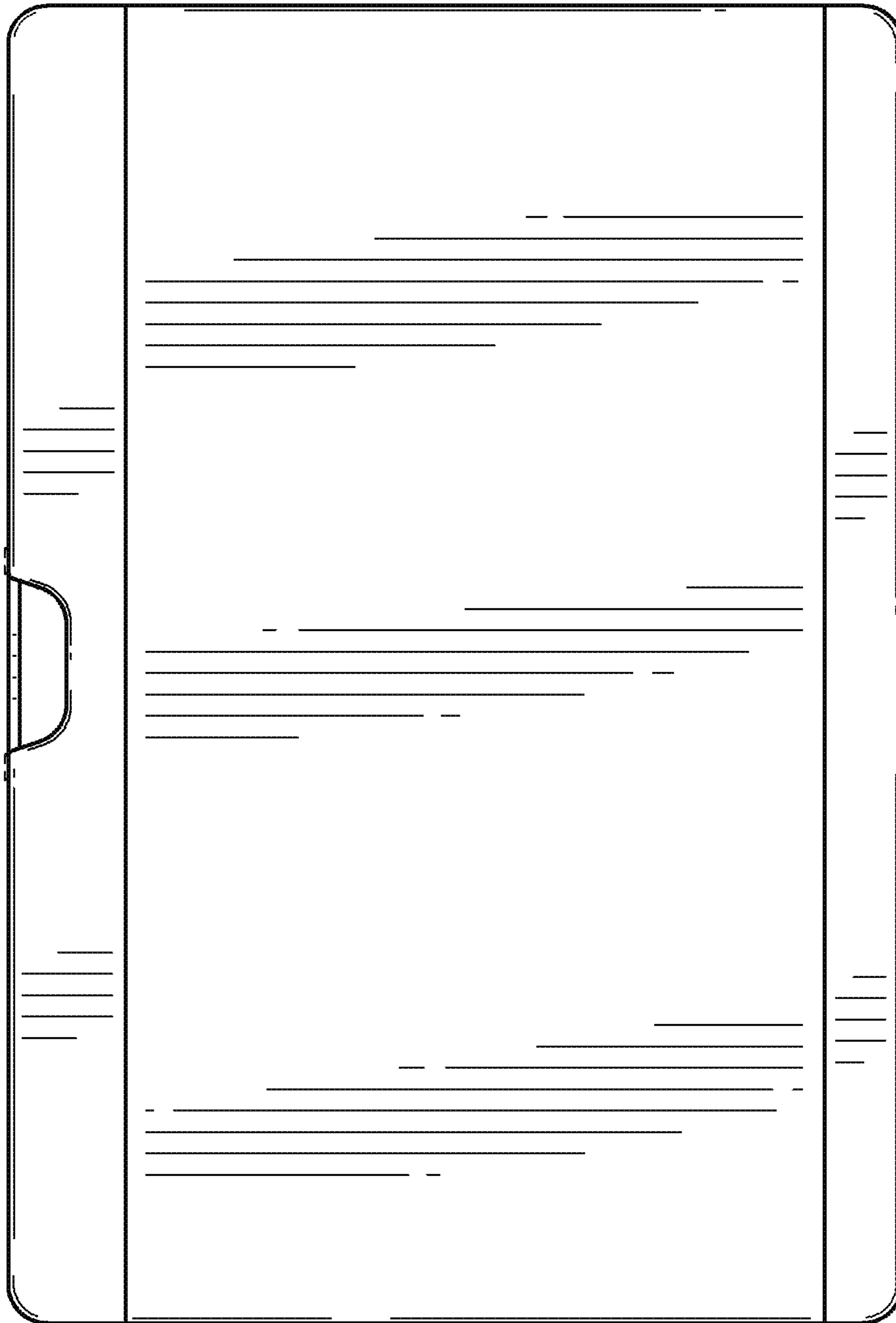


FIG. 3

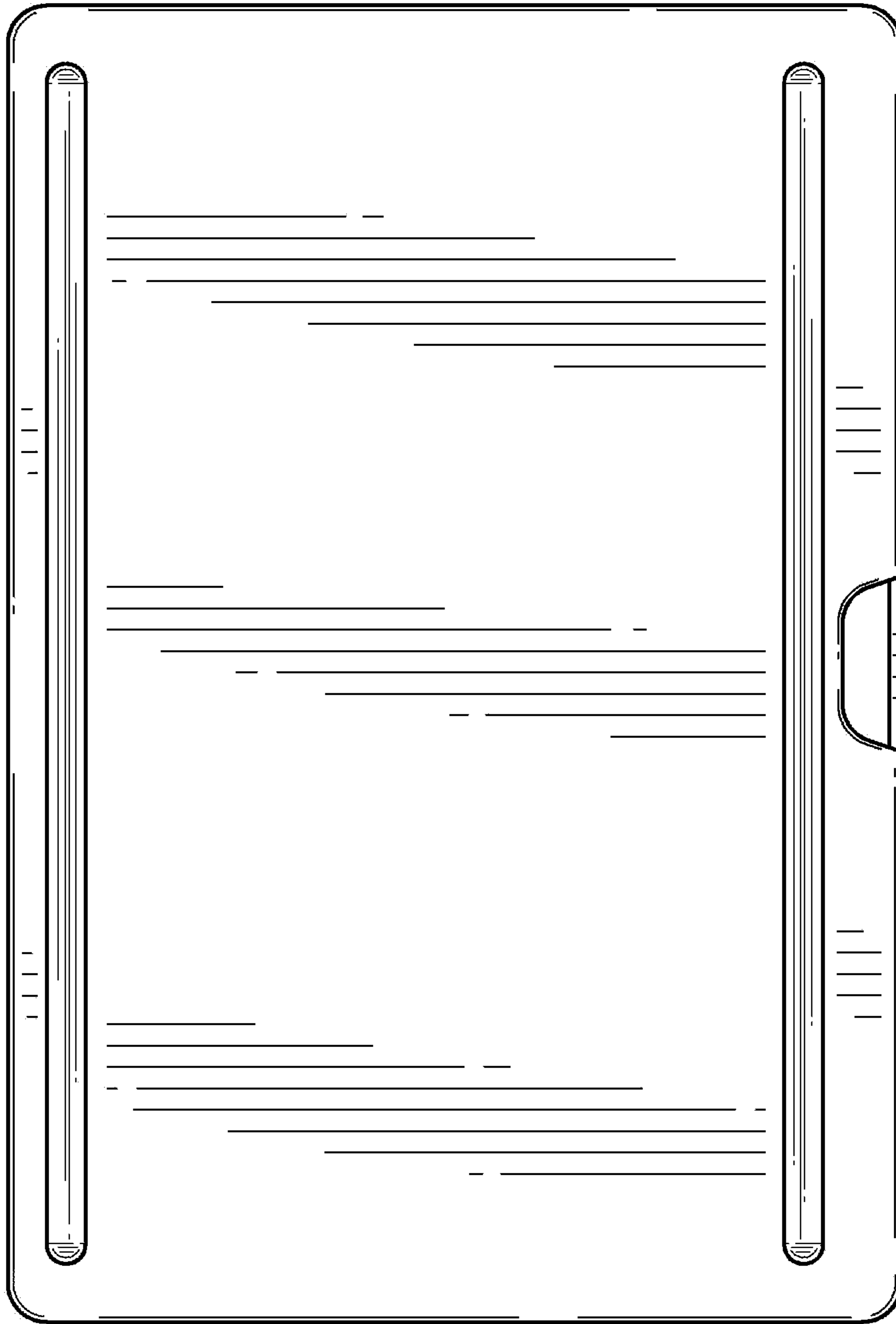


FIG. 4



FIG. 5

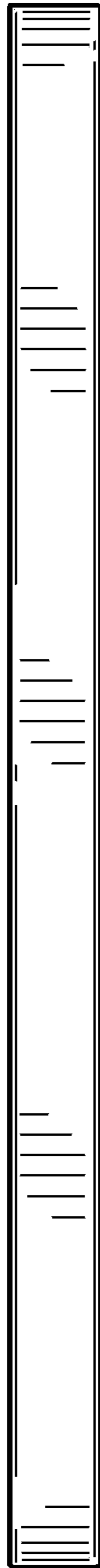


FIG. 6

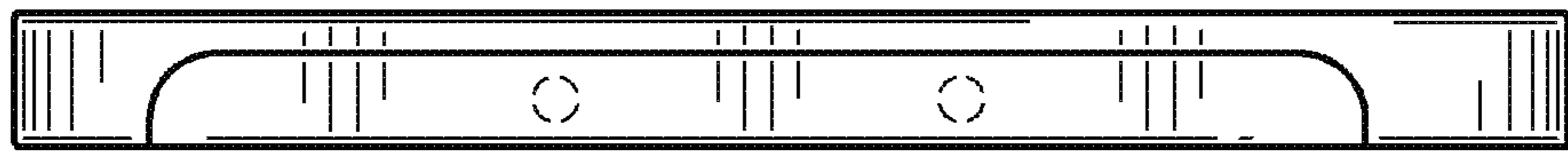


FIG. 7

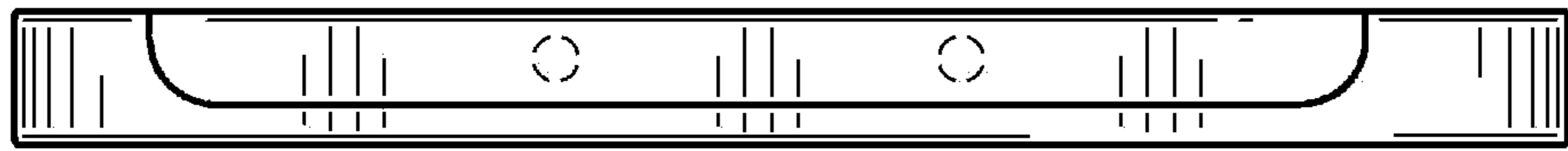


FIG. 8