



US00D902675S

(12) **United States Design Patent**  
**Willmoth**

(10) **Patent No.:** **US D902,675 S**

(45) **Date of Patent:** **\*\* Nov. 24, 2020**

(54) **PIZZA CUTTER**

(71) Applicant: **Bradley S. Willmoth**, Percy, IL (US)

(72) Inventor: **Bradley S. Willmoth**, Percy, IL (US)

(\*\*) Term: **15 Years**

(21) Appl. No.: **29/696,223**

(22) Filed: **Jun. 26, 2019**

(51) **LOC (12) Cl.** ..... **07-04**

(52) **U.S. Cl.**

USPC ..... **D7/694**

(58) **Field of Classification Search**

USPC ..... D7/680-696, 393, 395; D8/98; D3/18

CPC ..... A21C 11/04; A21C 11/02; A21C 11/12;

A21C 11/106; A21C 11/10; A21C 3/021;

A21C 3/00; A21C 5/00; B26D 7/2661;

B26B 25/005; B26B 29/00; B26B 29/02

See application file for complete search history.

(56) **References Cited**

**U.S. PATENT DOCUMENTS**

3,286,349 A 11/1966 Larson  
RE32,501 E \* 9/1987 Okada ..... B26B 25/005  
30/292

4,809,437 A 3/1989 Saliaris  
7,188,424 B2 3/2007 Webster et al.  
7,204,023 B2 \* 4/2007 Chang ..... B26B 29/02  
30/162

7,290,340 B2 \* 11/2007 Lin ..... B26B 25/005  
30/292  
D582,239 S \* 12/2008 Eby ..... D8/98  
8,661,693 B2 3/2014 Bagley  
2009/0183378 A1 \* 7/2009 Eby ..... B26B 25/005  
30/391  
2010/0037787 A1 2/2010 Eide et al.  
2014/0144027 A1 \* 5/2014 Roth ..... B26B 25/005  
30/164  
2014/0190020 A1 7/2014 Galster et al.  
2016/0193741 A1 7/2016 Wong

\* cited by examiner

*Primary Examiner* — Terry A Wallace

(74) *Attorney, Agent, or Firm* — Goldstein Law Offices,  
P.C.

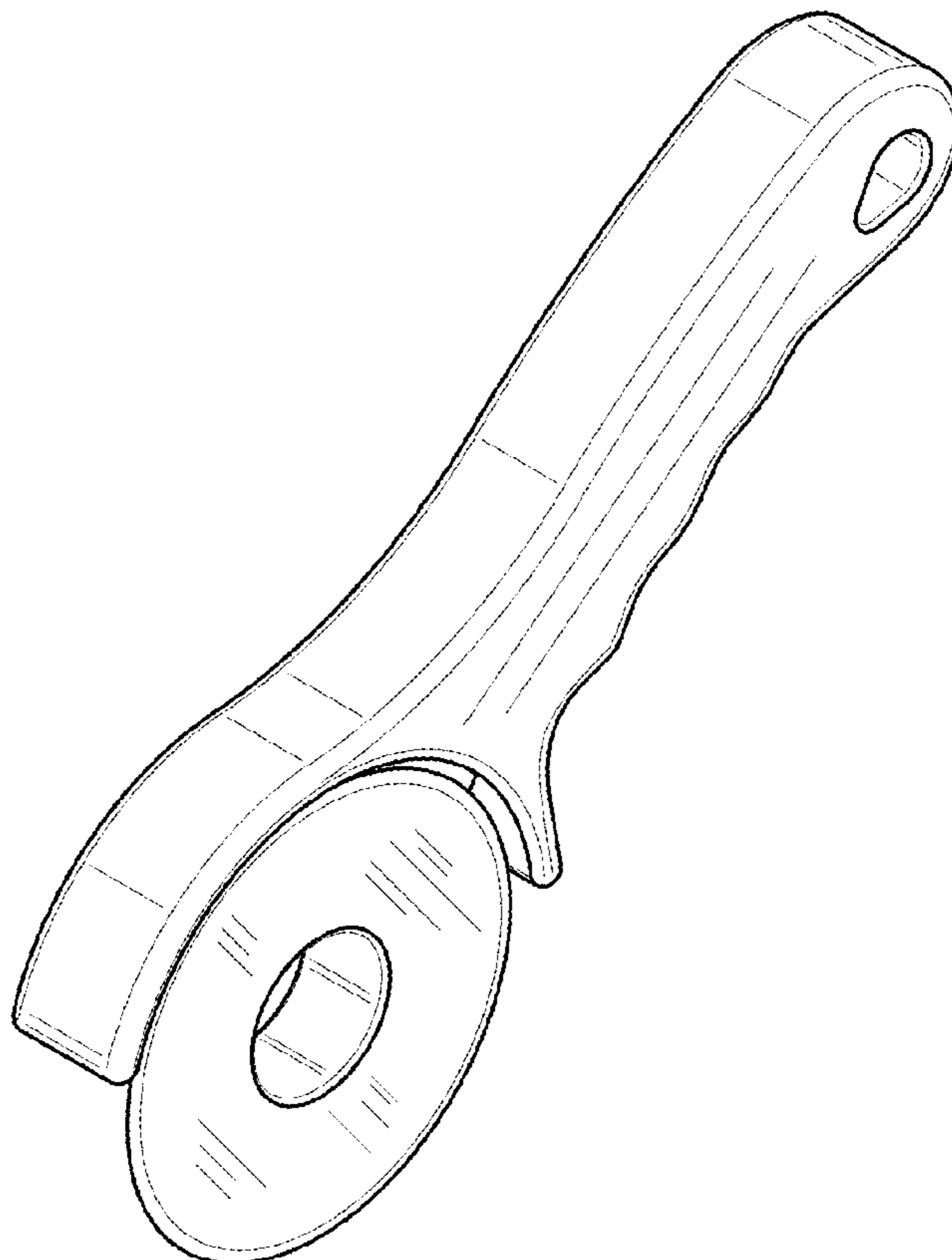
(57) **CLAIM**

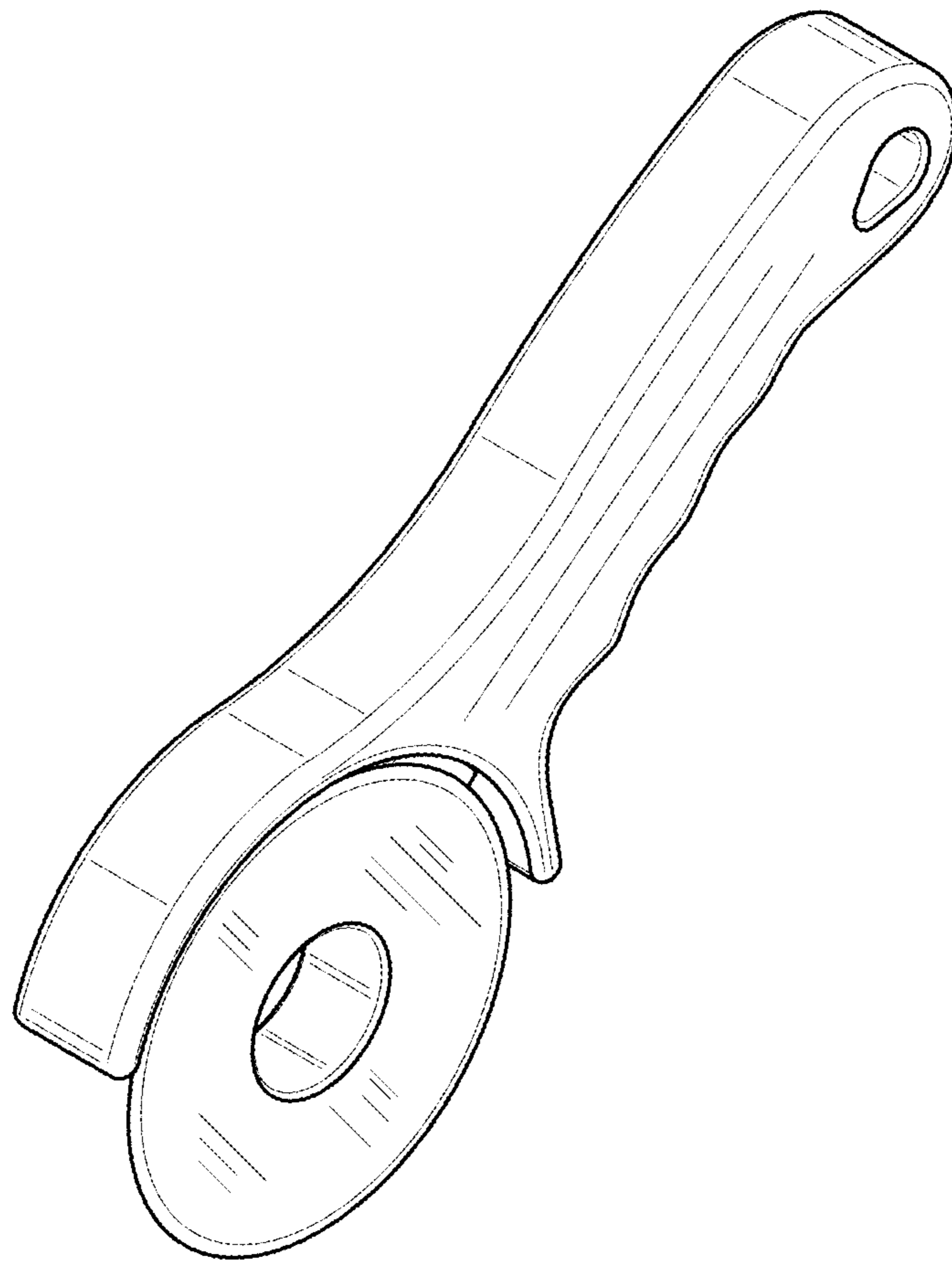
The ornamental design for a pizza cutter, as shown and described.

**DESCRIPTION**

FIG. 1 is a perspective view of the pizza cutter.  
FIG. 2 is a second perspective view of the pizza cutter.  
FIG. 3 is a front elevational view thereof.  
FIG. 4 is a rear elevational view thereof.  
FIG. 5 is a top plan view thereof.  
FIG. 6 is a bottom plan view thereof.  
FIG. 7 is a left side elevational view thereof; and,  
FIG. 8 is a right side elevational view thereof.

**1 Claim, 5 Drawing Sheets**





*FIG. 1*

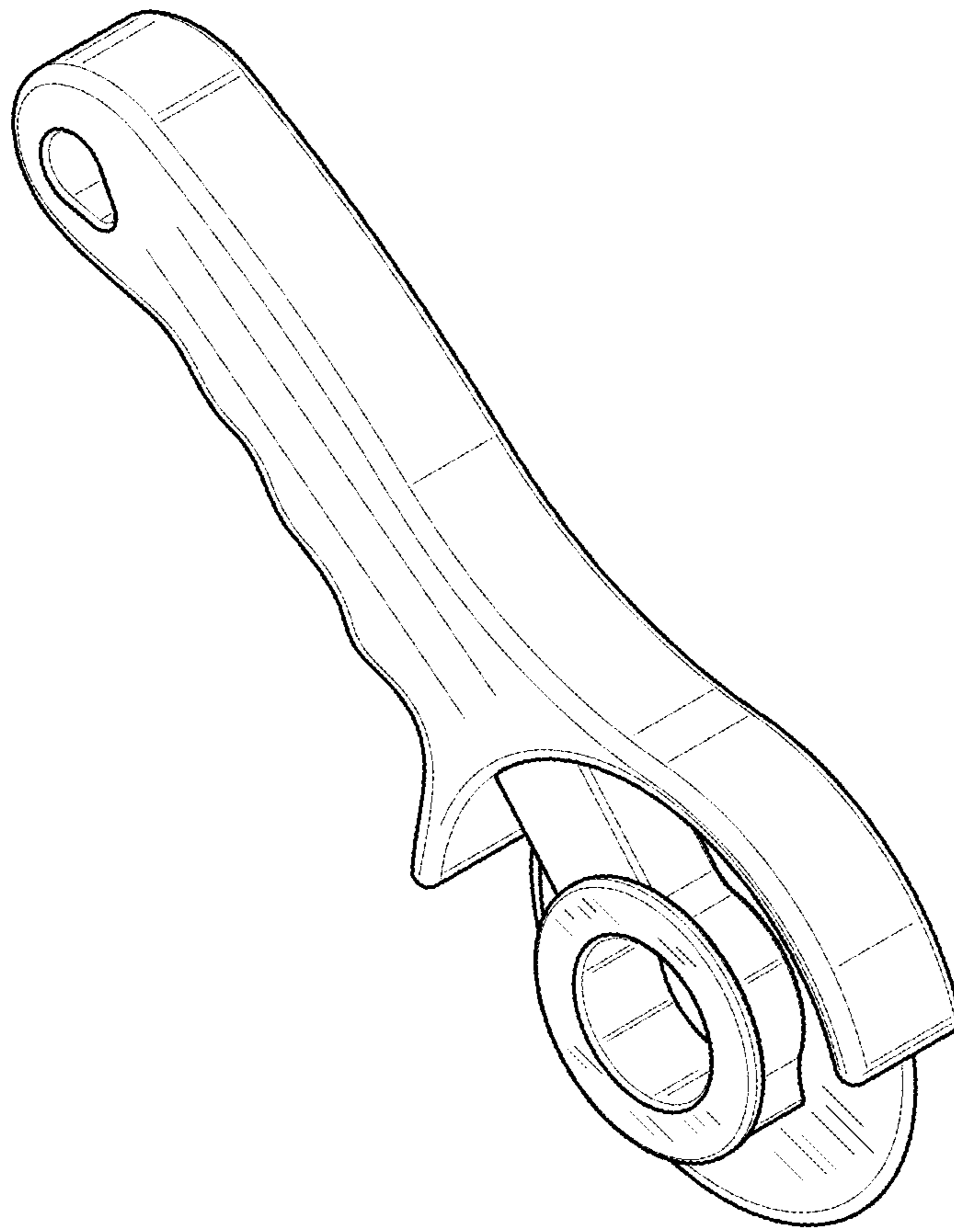


FIG. 2

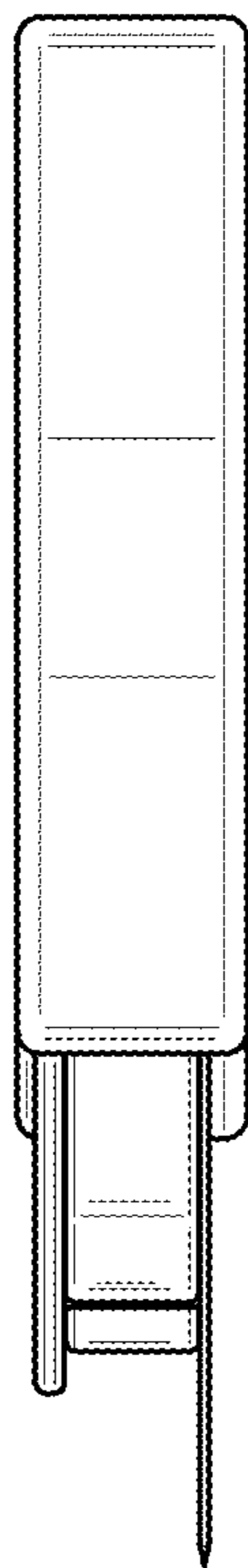


FIG. 3

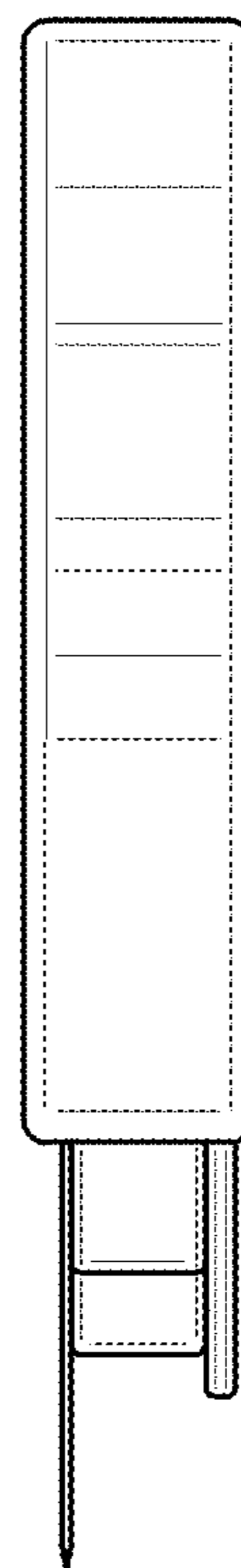
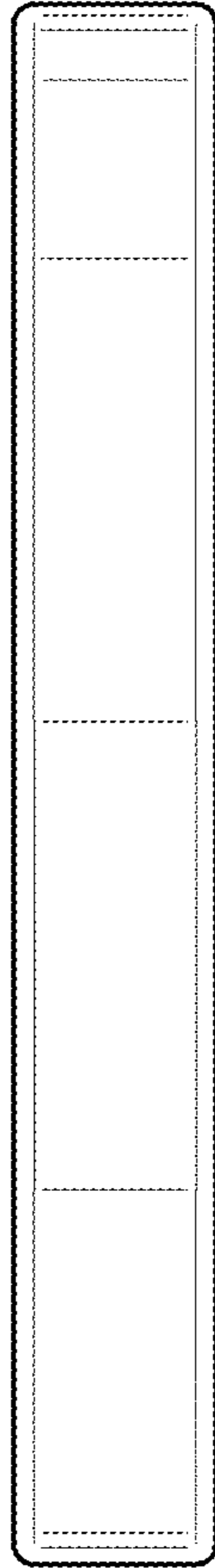
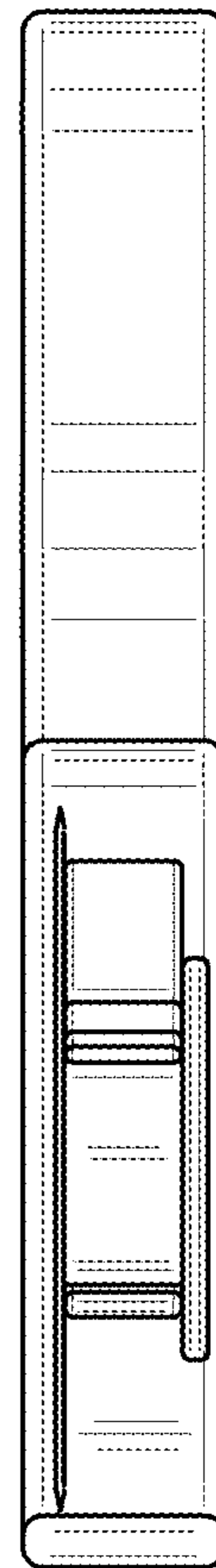


FIG. 4



*FIG. 5*



*FIG. 6*

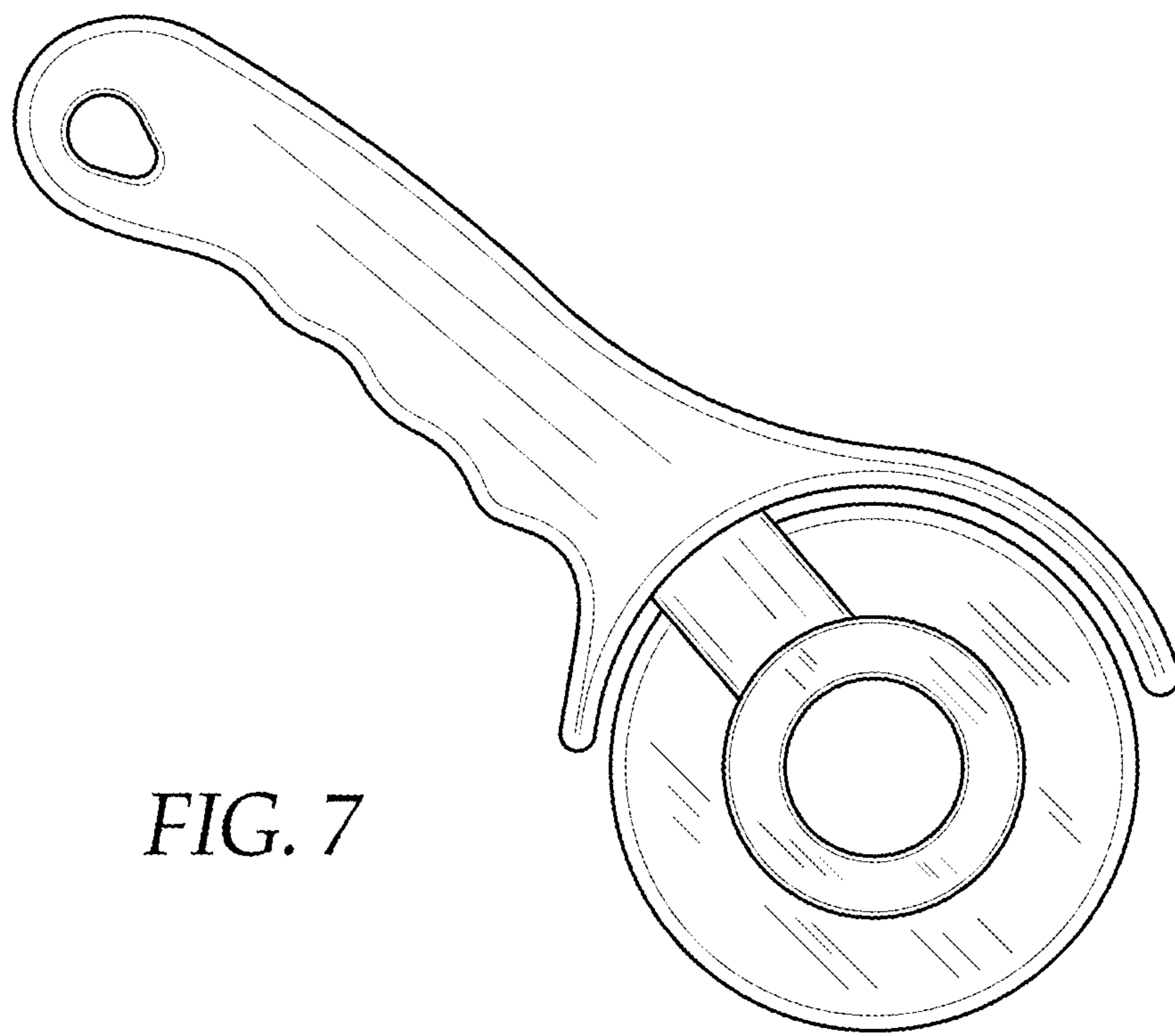


FIG. 7

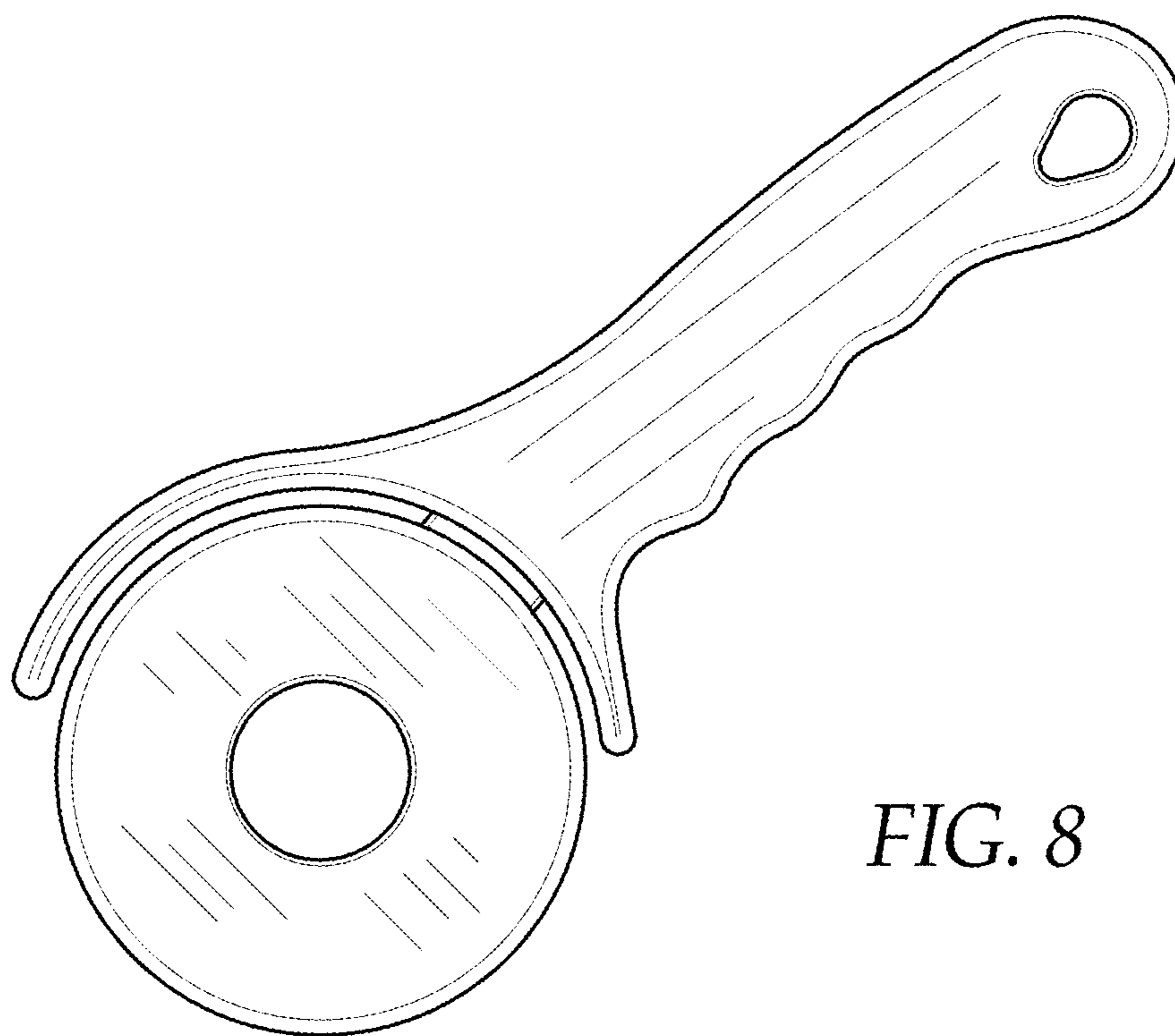


FIG. 8