



US00D902673S

(12) **United States Design Patent** (10) **Patent No.:** **US D902,673 S**
Lin (45) **Date of Patent:** **** Nov. 24, 2020**

(54) **POTATO MASHER**

D437,747 S * 2/2001 Kwok D7/682
D751,354 S * 3/2016 De Leo D7/692
D787,900 S * 5/2017 Perry D7/690

(71) Applicant: **shenzhenshi jingxiong keji**
youxiangongsi, Guangdong (CN)

* cited by examiner

(72) Inventor: **Jingzhen Lin**, Guangdong Province
(CN)

Primary Examiner — Terry A Wallace
(74) *Attorney, Agent, or Firm* — ZANIP

(**) Term: **15 Years**

(21) Appl. No.: **29/741,364**

(57) **CLAIM**

(22) Filed: **Jul. 13, 2020**

The ornamental design for a potato masher, as shown and described.

(51) **LOC (12) Cl.** **07-04**

(52) **U.S. Cl.**
USPC **D7/682; D7/692**

DESCRIPTION

(58) **Field of Classification Search**
USPC D7/680–696, 393, 395, 368, 669
CPC B02C 4/42; A47J 19/04; A47J 19/02; A47J
19/00
See application file for complete search history.

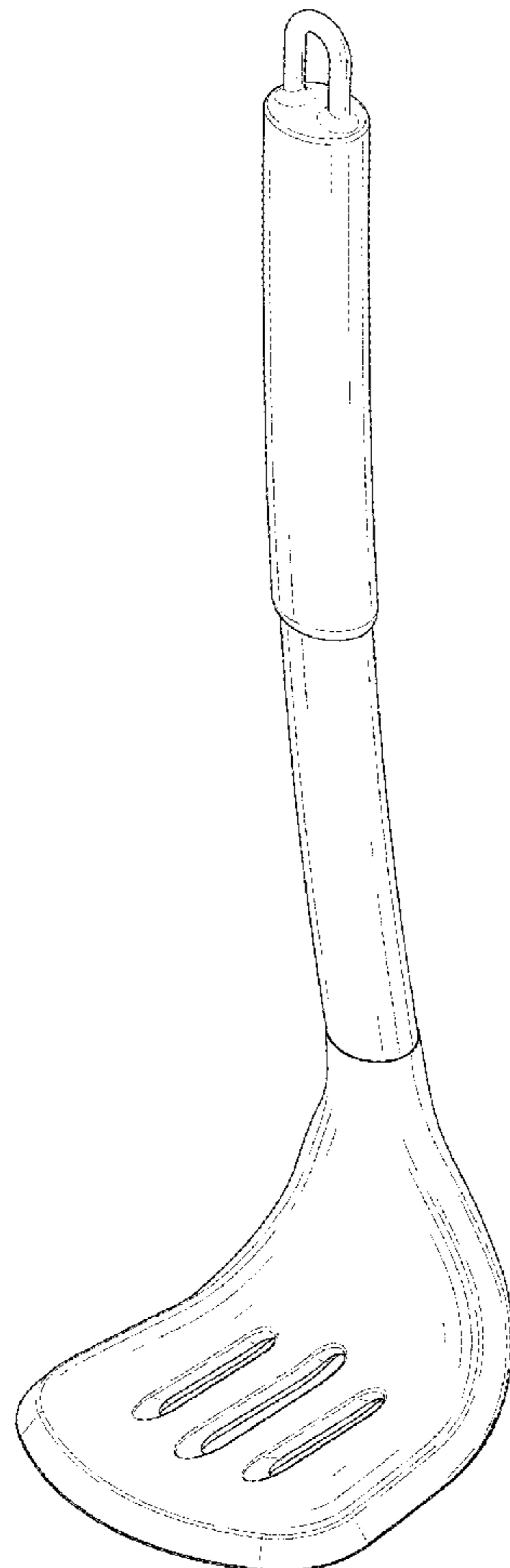
FIG. 1 is a front and top perspective view of a potato masher, showing my new design;
FIG. 2 is a rear and bottom perspective view thereof;
FIG. 3 is a front elevational view thereof;
FIG. 4 is a rear elevational view thereof;
FIG. 5 is a left side elevational view thereof;
FIG. 6 is a right side elevational view thereof;
FIG. 7 is a top plan view thereof; and,
FIG. 8 is a bottom plan view thereof.

(56) **References Cited**

U.S. PATENT DOCUMENTS

1,353,520 A * 9/1920 Defenbaugh A47J 19/04
241/169.2

1 Claim, 8 Drawing Sheets



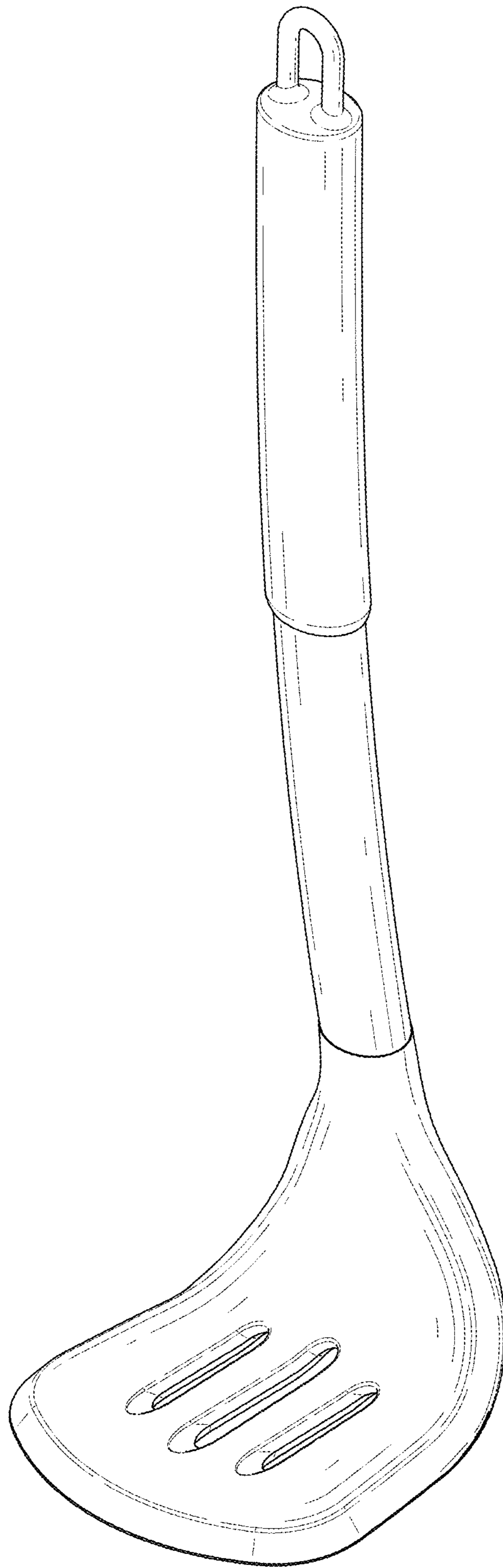


FIG. 1

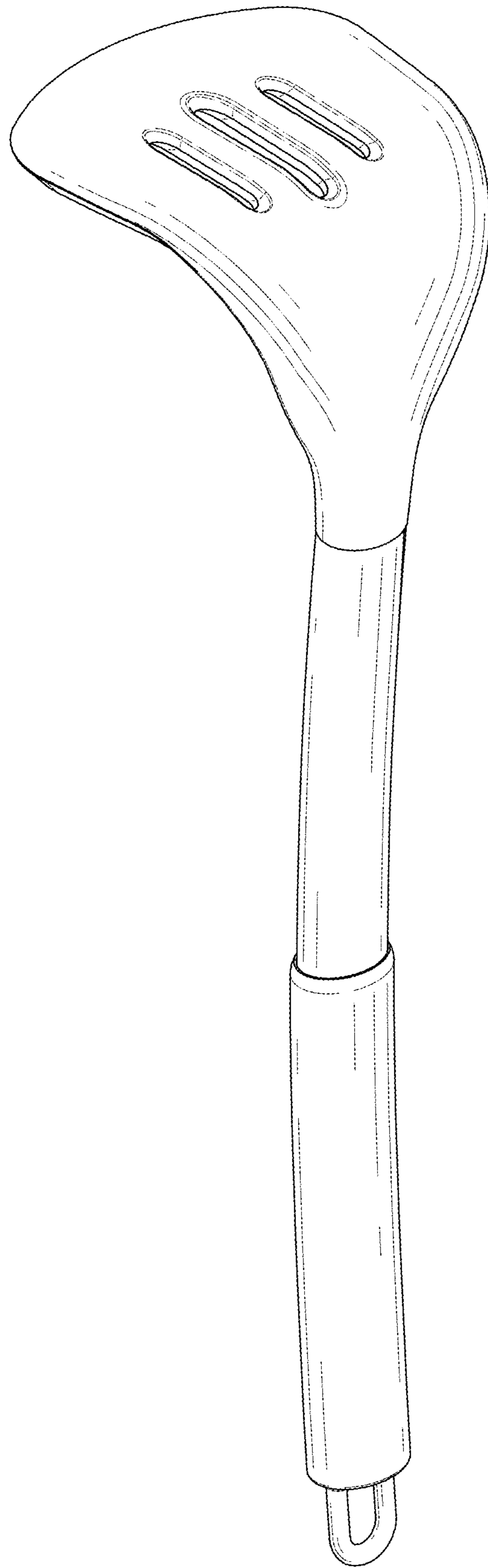


FIG. 2

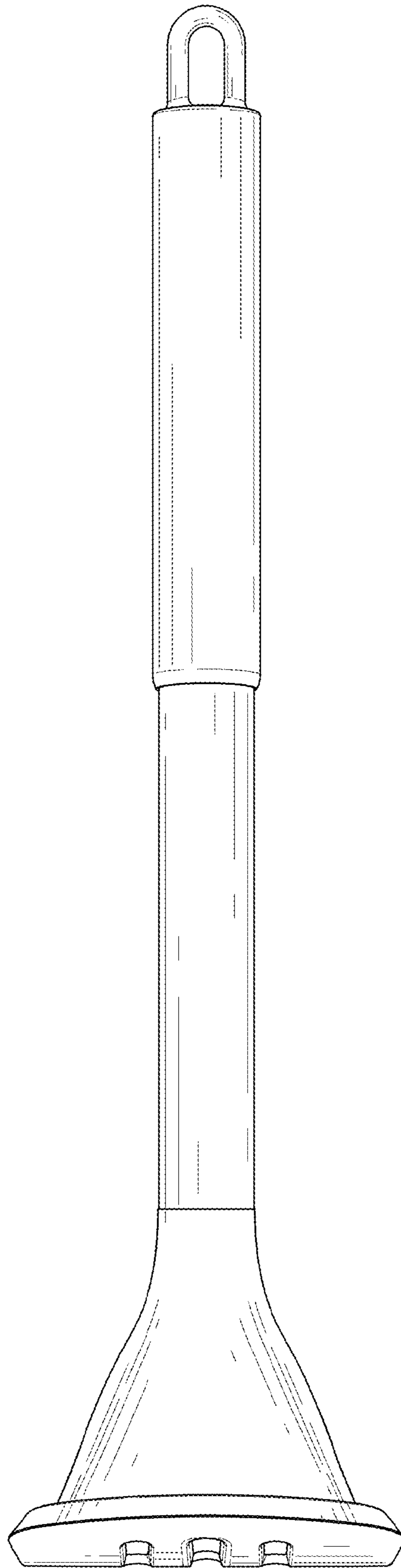


FIG. 3

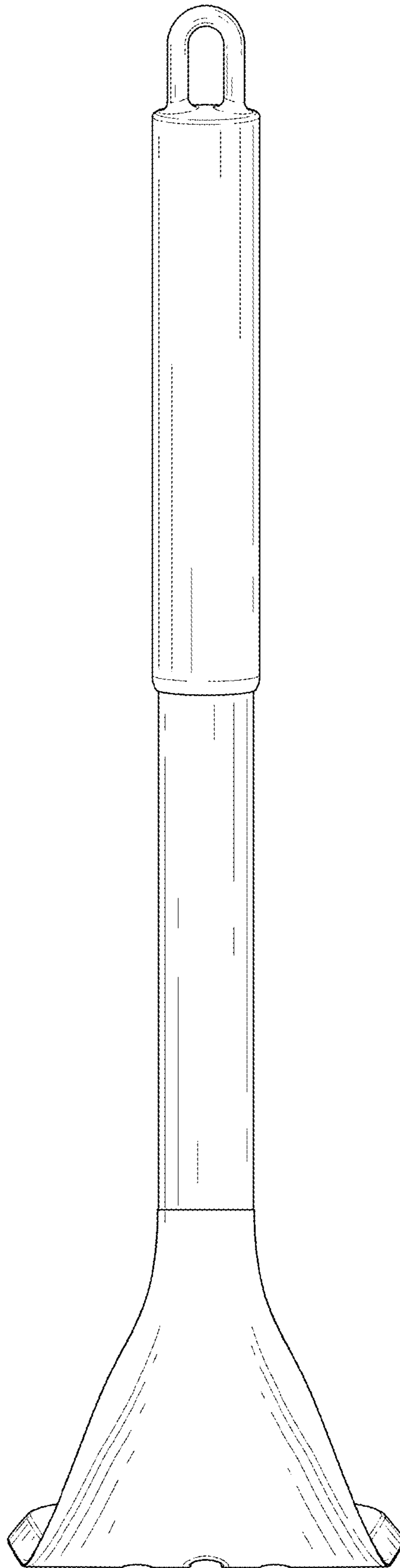


FIG. 4

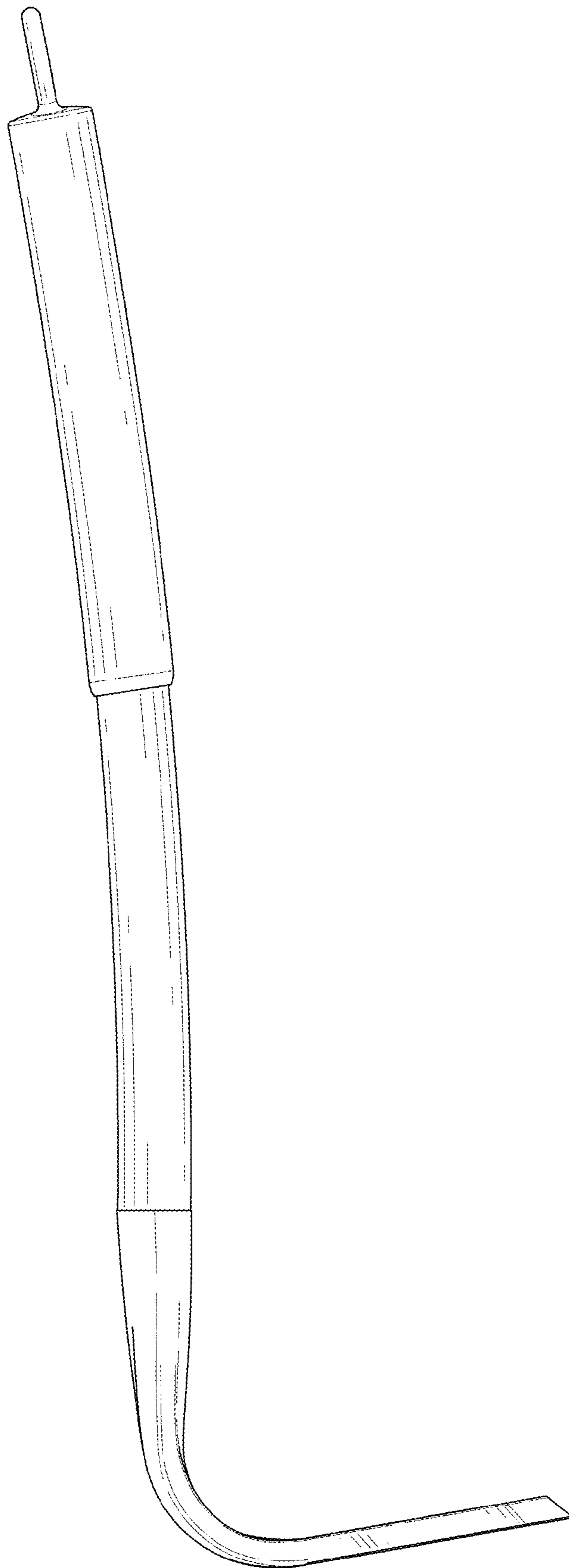


FIG. 5

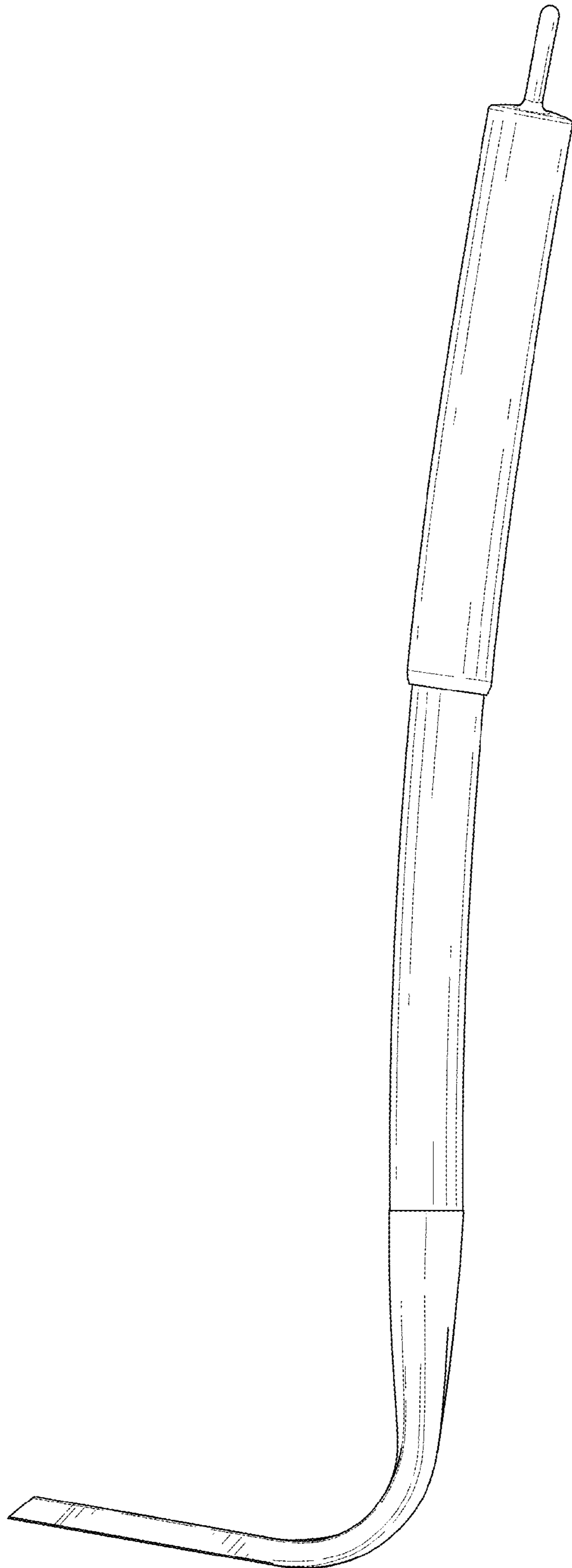


FIG. 6

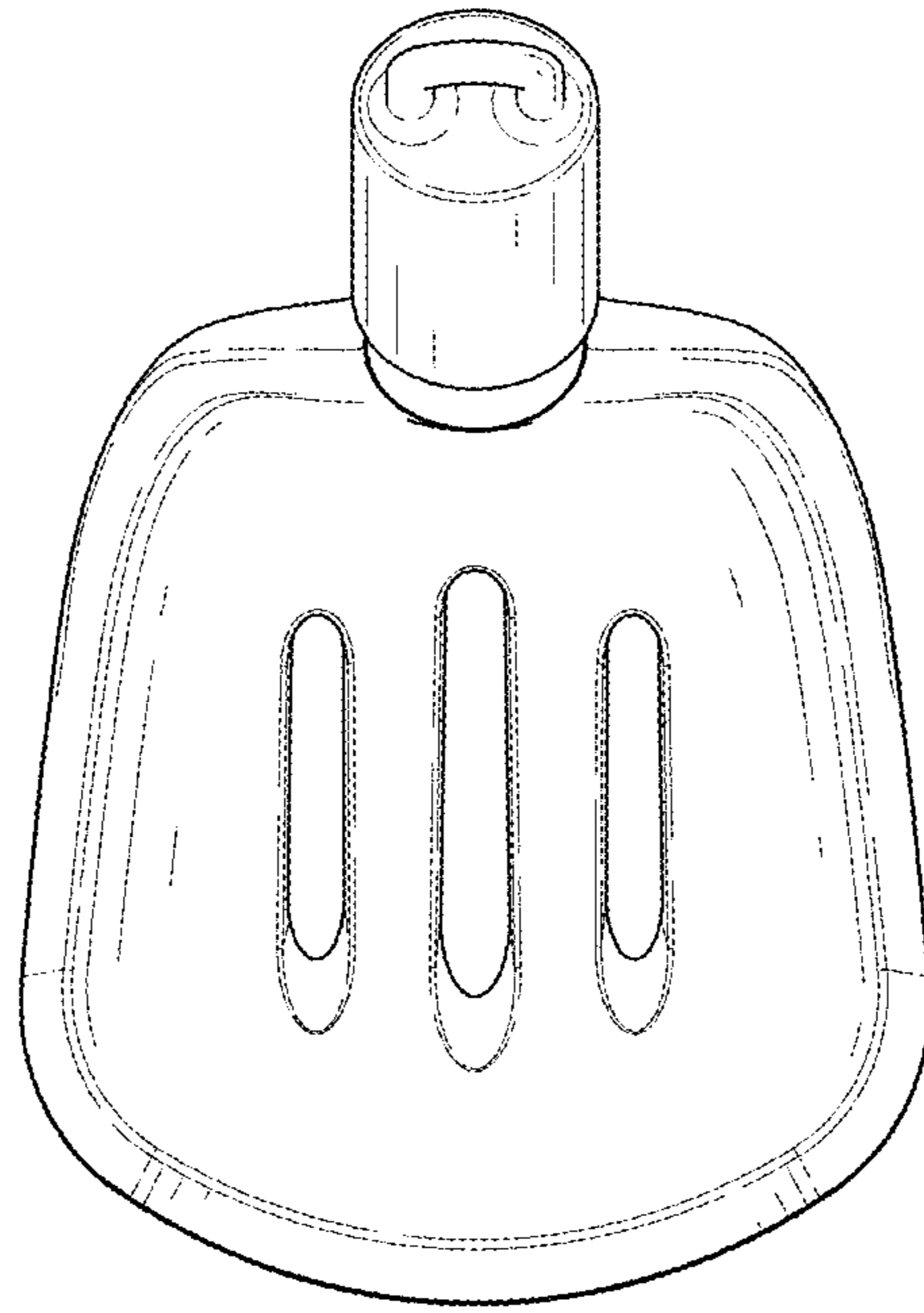


FIG. 7

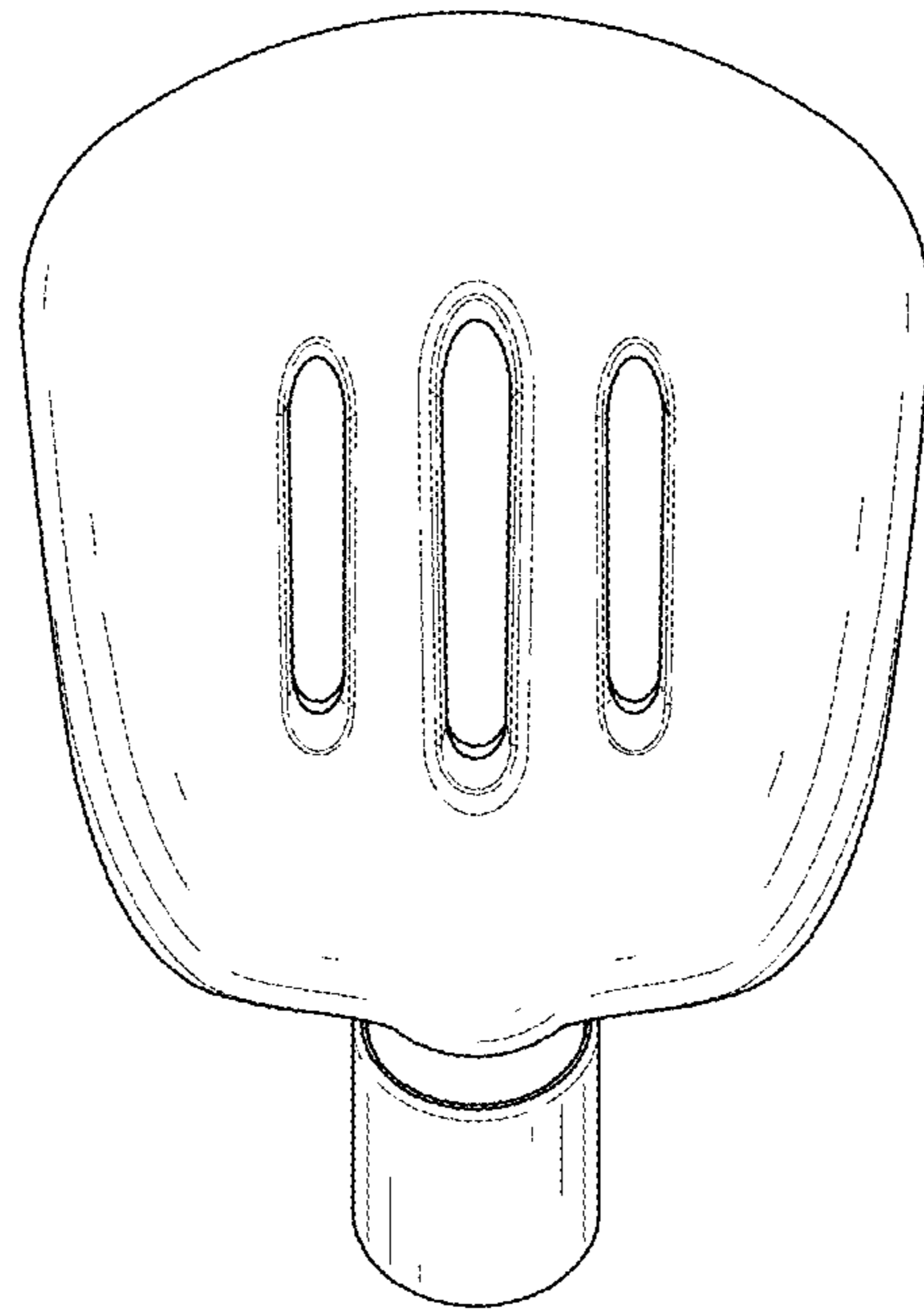


FIG. 8