



US00D902672S

(12) **United States Design Patent** (10) **Patent No.:** **US D902,672 S**
Kim et al. (45) **Date of Patent:** **** Nov. 24, 2020**

(54) **GRATER**

(71) Applicants: **Min Kim**, Jersey City, NJ (US);
Edward Lee, Brooklyn, NY (US);
Mason Adam Umholtz, Sunnyvale, CA
(US); **Marc-Aurelien Vivant**,
Brooklyn, NY (US)

(72) Inventors: **Min Kim**, Jersey City, NJ (US);
Edward Lee, Brooklyn, NY (US);
Mason Adam Umholtz, Sunnyvale, CA
(US); **Marc-Aurelien Vivant**,
Brooklyn, NY (US)

(73) Assignee: **Helen of Troy Limited**, St. Michael
(BB)

(**) Term: **15 Years**

(21) Appl. No.: **29/702,256**

(22) Filed: **Aug. 18, 2019**

(51) **LOC (12) Cl.** **07-04**

(52) **U.S. Cl.**
USPC **D7/678**

(58) **Field of Classification Search**
USPC D7/368, 393, 395, 669, 678, 680–696;
D28/59
CPC .. A47J 43/25; A47J 19/04; A47J 17/02; A47J
17/04; A47J 43/00; A47J 43/255; B26D
1/30; B26D 7/18
See application file for complete search history.

(56) **References Cited**

U.S. PATENT DOCUMENTS

D337,489 S * 7/1993 So D7/678
6,318,652 B1 * 11/2001 Liu A47J 43/25
241/168
D666,066 S * 8/2012 Smith D7/678

D666,463 S * 9/2012 Smith D7/678
D668,918 S * 10/2012 Smith D7/678
D680,820 S * 4/2013 McGuyer D7/678
D741,017 S * 10/2015 Exley D28/59
D812,998 S * 3/2018 Huang D7/678
D821,827 S * 7/2018 O'Halloran D7/678
D822,445 S * 7/2018 O'Halloran D7/678

OTHER PUBLICATIONS

NEW OXO Good Grips Grater. Online, published date Dec. 10,
2019. Retrieved on Sep. 24, 2020 from URL: https://www.amazon.com/NEW-OXO-Good-Grips-Grater/dp/B082LNFVZK/ref=asc_df_B082LNFVZK/?tag=hyprod-20&linkCode=df0&hvadid=435287893589&hvpos=&hvnetw=g&hvrnd=1998628187582457650&hvpone=&hvptwo=&hvqmt=&hvdev=c&hvdvcmld=&hv.*
<https://www.oxo.com/grater-358.html>, publicly available prior to
Aug. 18, 2019.

* cited by examiner

Primary Examiner — Susan Bennett Hattan
Assistant Examiner — Omeed Agilee
(74) *Attorney, Agent, or Firm* — Rankin, Hill & Clark
LLP

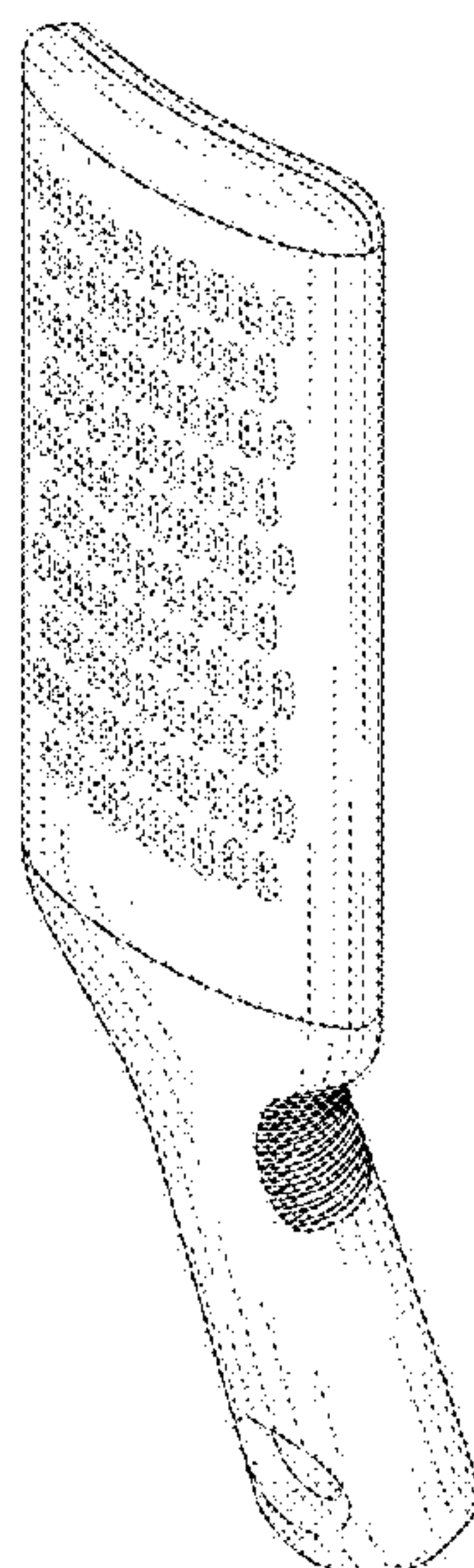
(57) **CLAIM**

The ornamental design for a grater, as shown, and described.

DESCRIPTION

FIG. 1 is a perspective view of a grater;
FIG. 2 is a front view thereof;
FIG. 3 is a rear view thereof;
FIG. 4 is a left elevation view thereof, the right elevation
view being a mirror image thereof;
FIG. 5 is a top plan view thereof; and,
FIG. 6 is a bottom plan view thereof.
The broken lines in the drawings depict portions of the grater
that form no part of the claimed design.

1 Claim, 6 Drawing Sheets



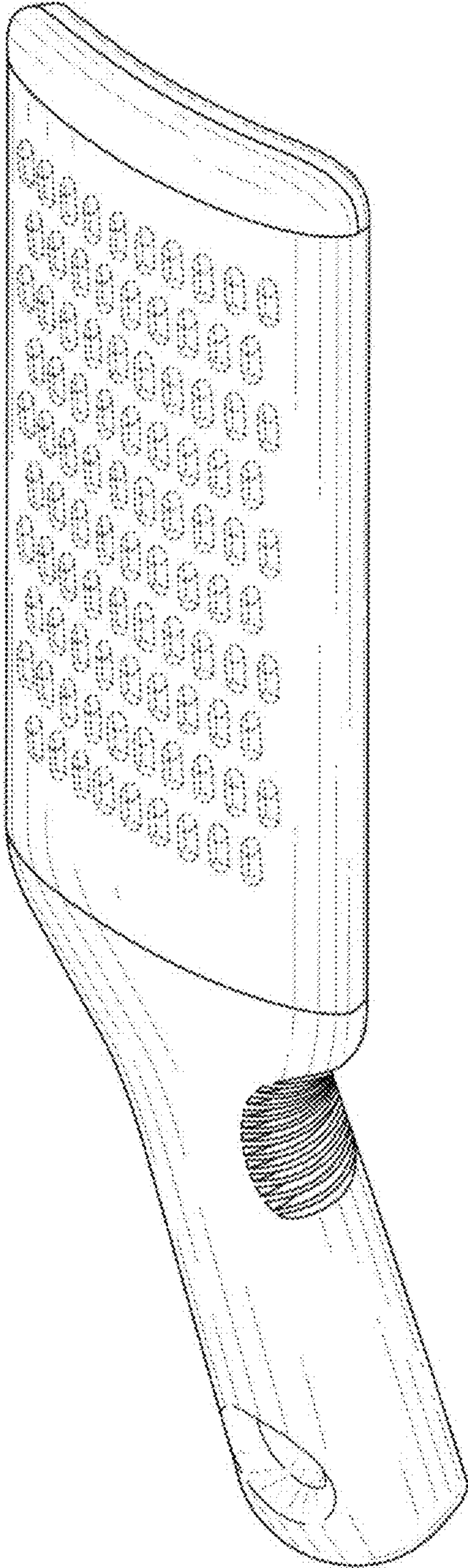


FIG. 1

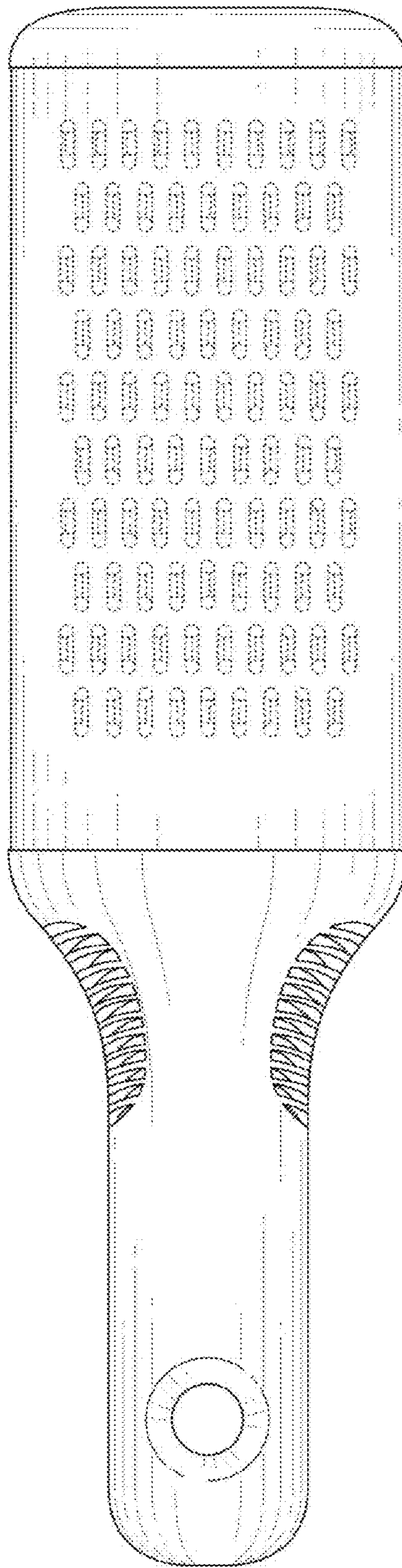


FIG. 2

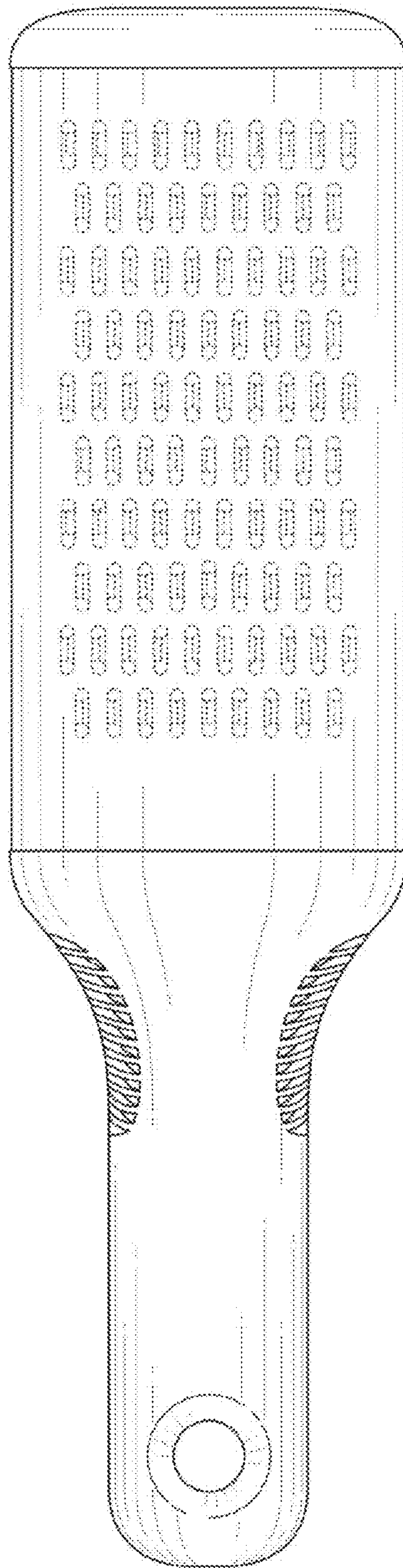


FIG. 3

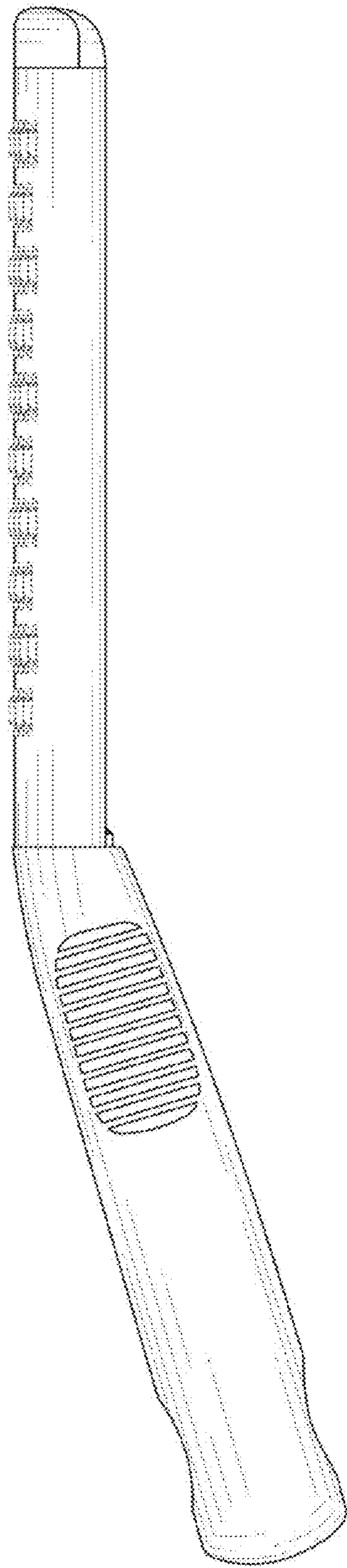


FIG. 4

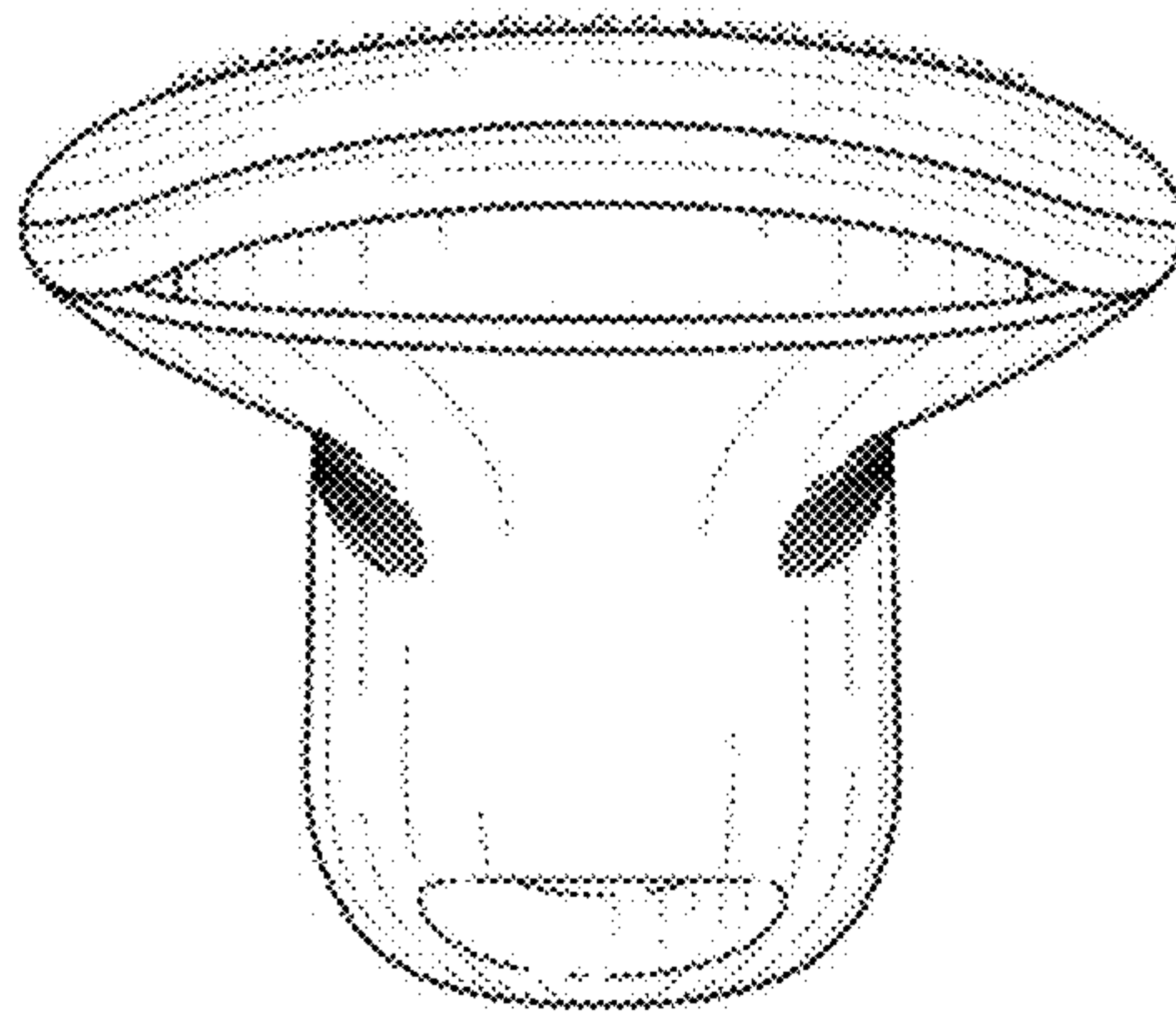


FIG. 5

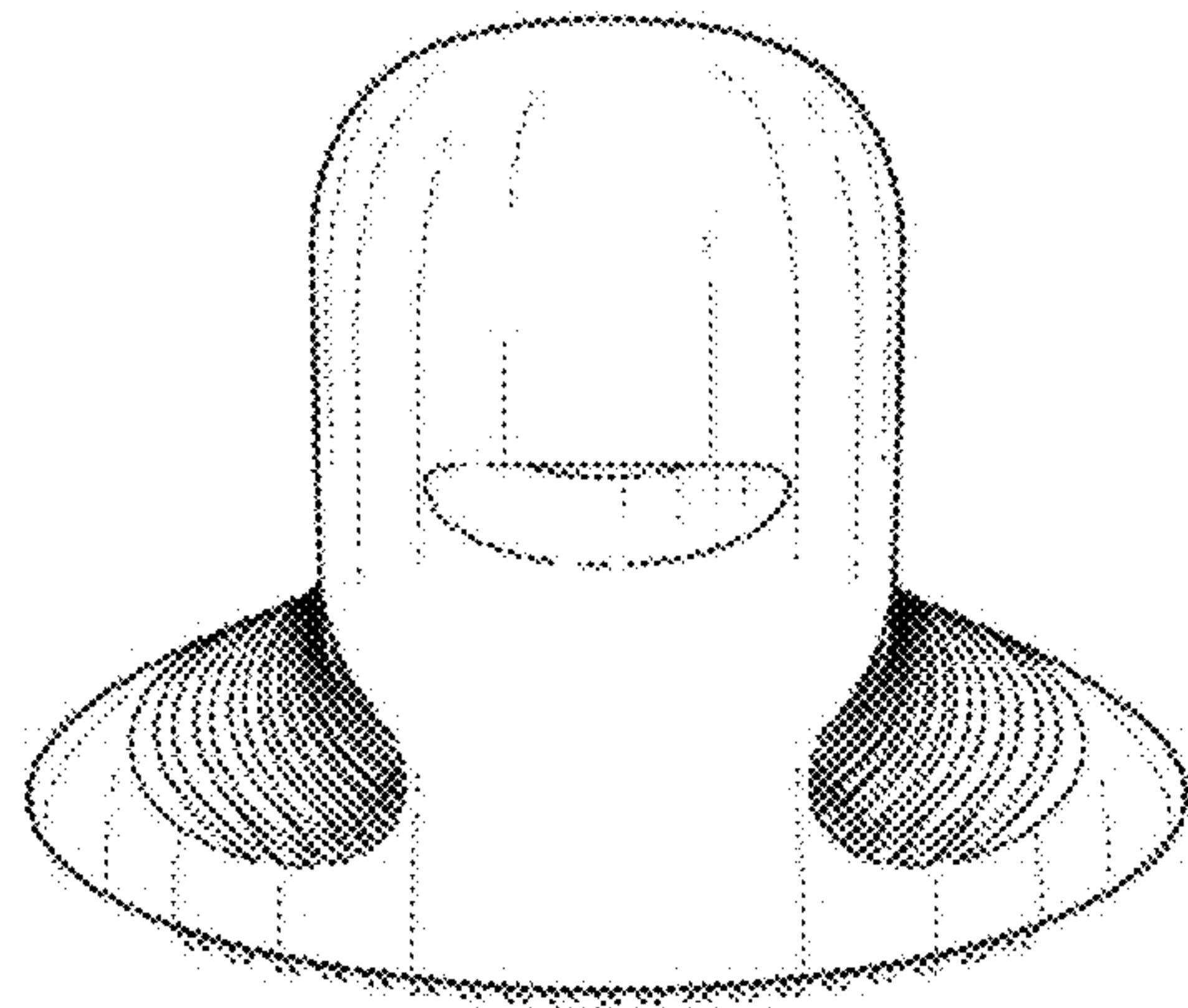


FIG. 6