



US00D902671S

(12) **United States Design Patent** (10) **Patent No.:** **US D902,671 S**
Pawluskiewicz (45) **Date of Patent:** **** Nov. 24, 2020**

(54) **MOLD**

(71) Applicant: **Spectrum Diversified Designs, LLC**,
Streetsboro, OH (US)

(72) Inventor: **Jan Peter Pawluskiewicz**, Seattle, WA
(US)

(73) Assignee: **SPECTRUM DIVERSIFIED
DESIGNS, LLC**, Streetsboro, OH (US)

(**) Term: **15 Years**

(21) Appl. No.: **29/678,409**

(22) Filed: **Jan. 29, 2019**

(51) **LOC (12) Cl.** **07-04**

(52) **U.S. Cl.**
USPC **D7/672; D1/105**

(58) **Field of Classification Search**
USPC D7/354, 357, 672-677, 359, 361;
99/426; D9/425; D15/90; 426/515;
D1/105
CPC A23G 9/26; A23G 9/221; A23G 9/503;
A23G 9/083; B65D 85/78; A47J 43/20
See application file for complete search history.

(56) **References Cited**

U.S. PATENT DOCUMENTS

D210,308 S * 2/1968 Ollier D7/672
3,799,493 A * 3/1974 Beck A47J 43/20
249/104
D381,245 S * 7/1997 Eisbrenner D1/105
D478,249 S * 8/2003 Rocco D7/359
D526,838 S * 8/2006 Park D7/359

D642,022 S * 7/2011 Zorovich D7/672
D721,866 S * 2/2015 Giarrappa D1/105
D796,273 S * 9/2017 Knauf D7/672
D862,179 S * 10/2019 Pereira Da Silva D7/672
2013/0011531 A1* 1/2013 Wolf A23G 9/26
426/241

OTHER PUBLICATIONS

Groovy Pop Molds—Set of 6, Tovolo website page, <https://www.tovolo.com/product/groovy-pop-molds-set-of-6-2/>, dated Jan. 18, 2019, 1 page.

* cited by examiner

Primary Examiner — Brett Miller

(74) *Attorney, Agent, or Firm* — Tucker Ellis LLP

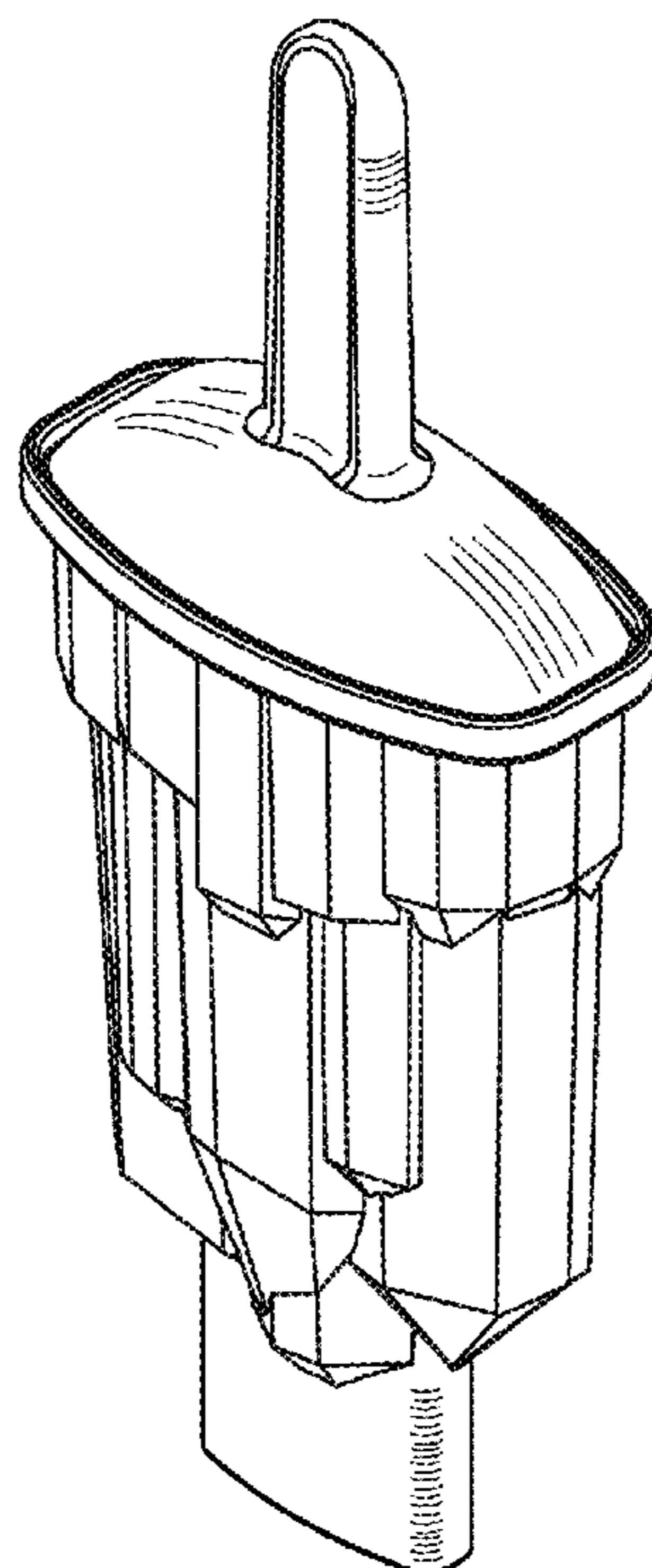
(57) **CLAIM**

The ornamental design for a mold, as shown and described.

DESCRIPTION

FIG. 1 is a top perspective view of a mold showing my new design;
FIG. 2 is a bottom perspective view thereof;
FIG. 3 is a front view thereof;
FIG. 4 is a rear view thereof;
FIG. 5 is a left side view thereof;
FIG. 6 is a right side view thereof;
FIG. 7 is a top view thereof; and,
FIG. 8 is a bottom view thereof.
The broken lines depict portions of the mold that form no part of the claimed design.

1 Claim, 8 Drawing Sheets



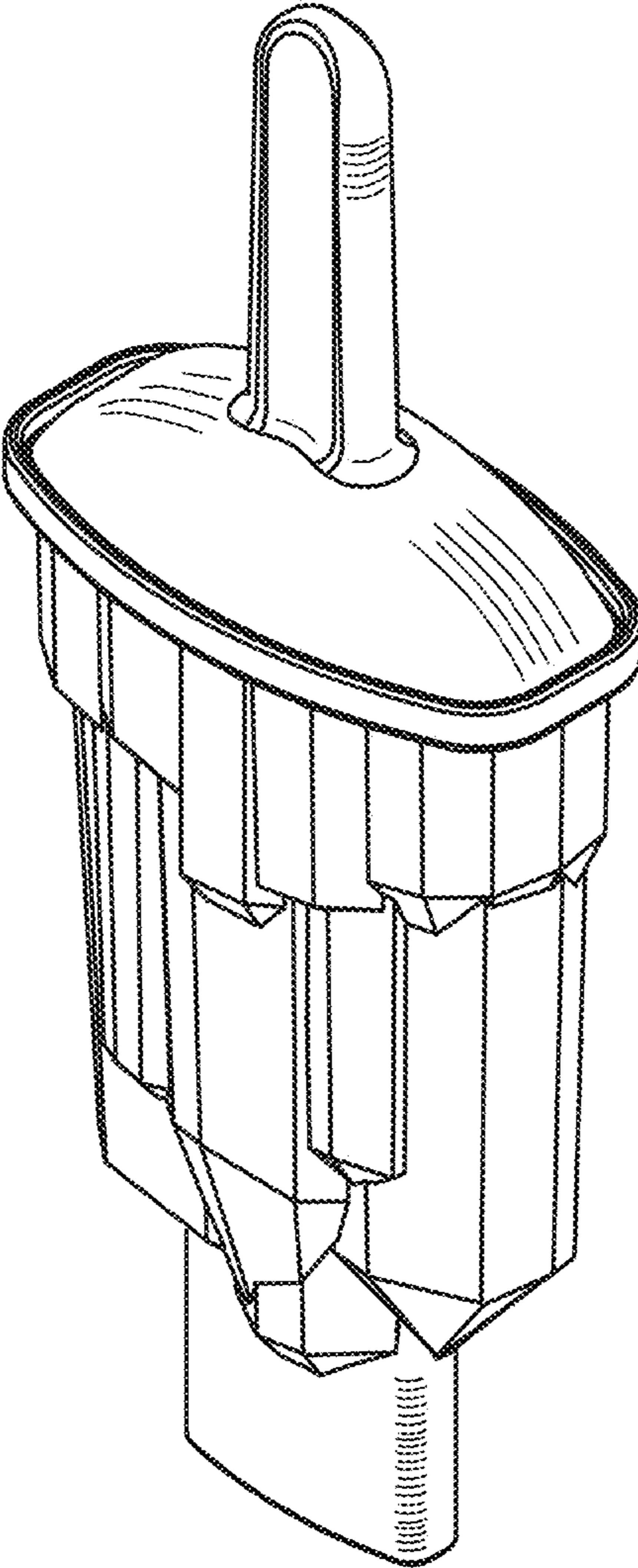


Fig 1

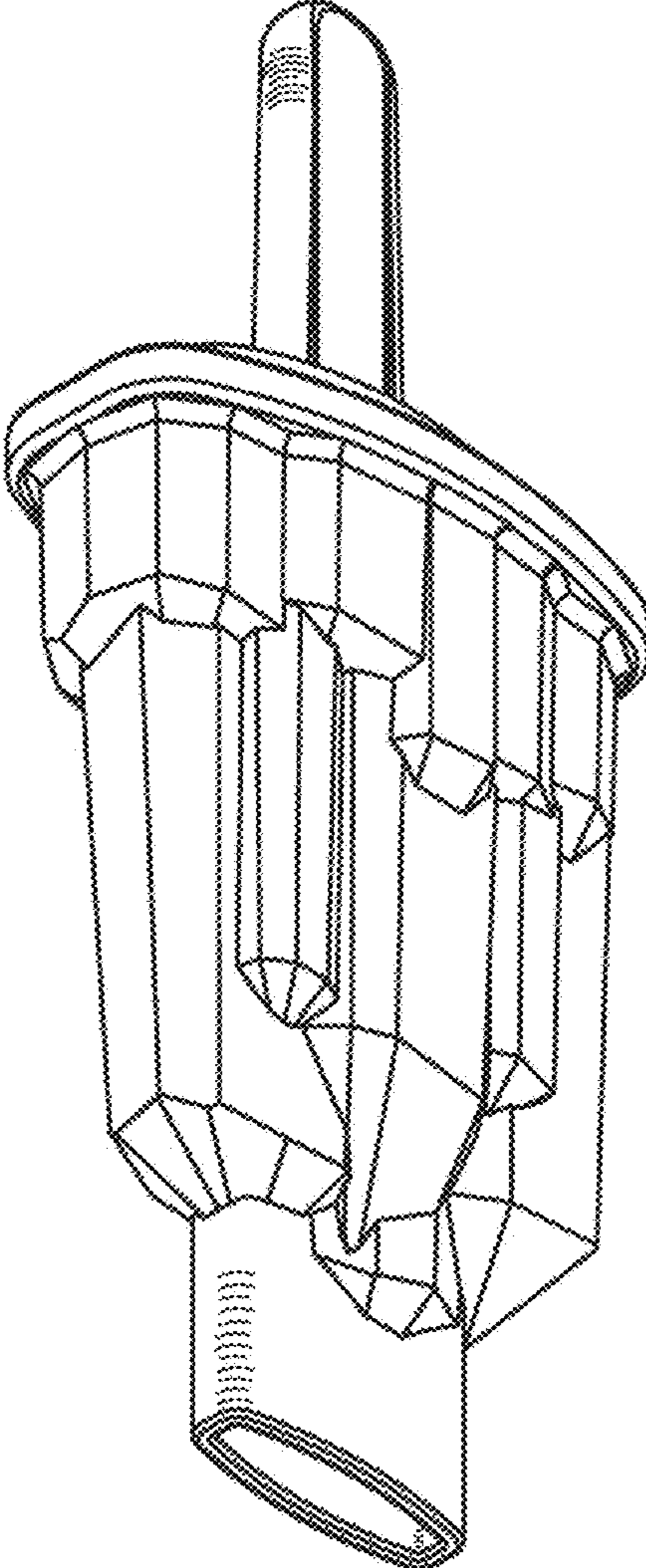


Fig 2

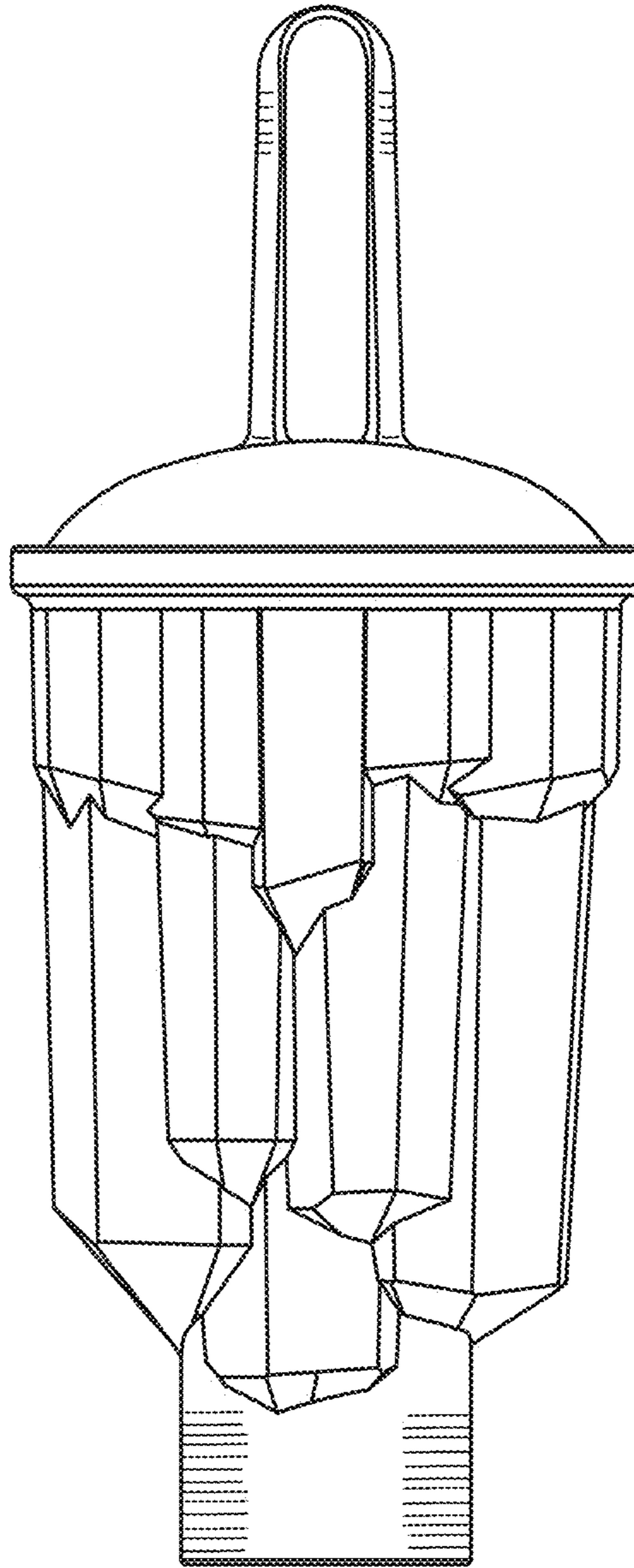


Fig 3

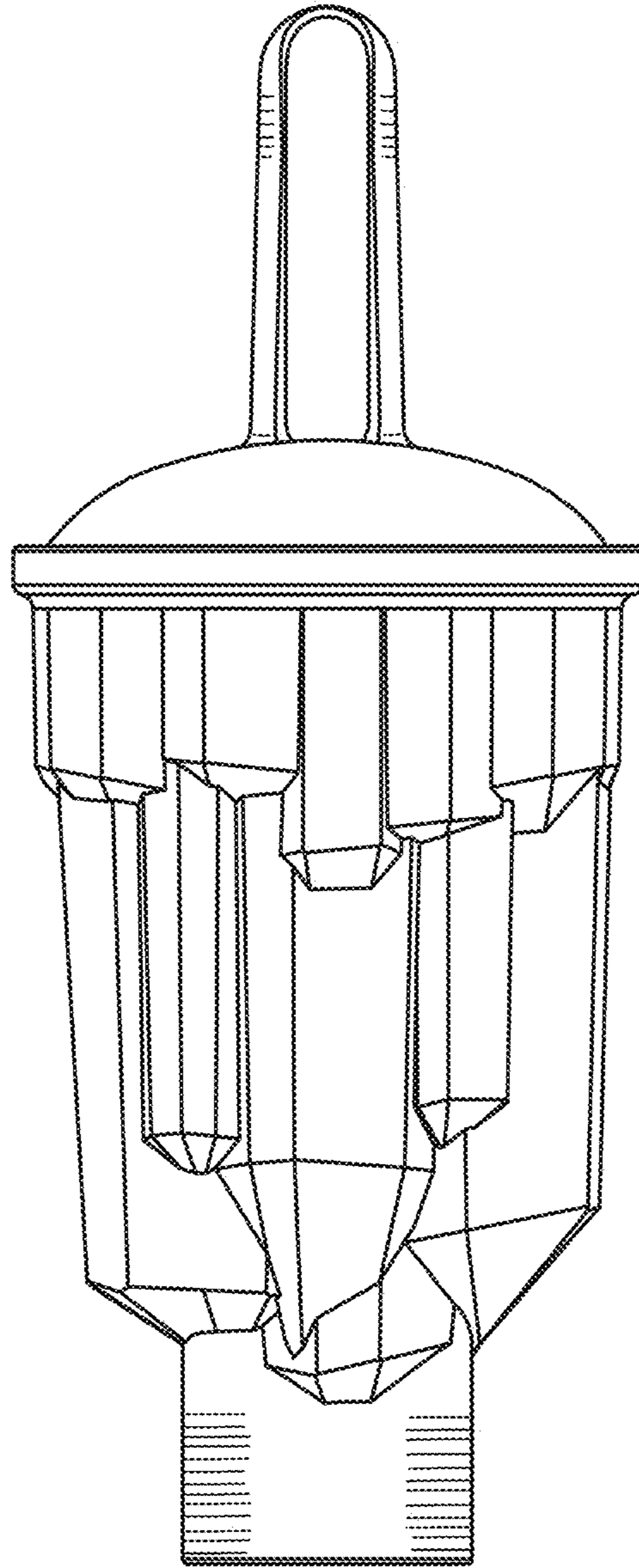


Fig 4

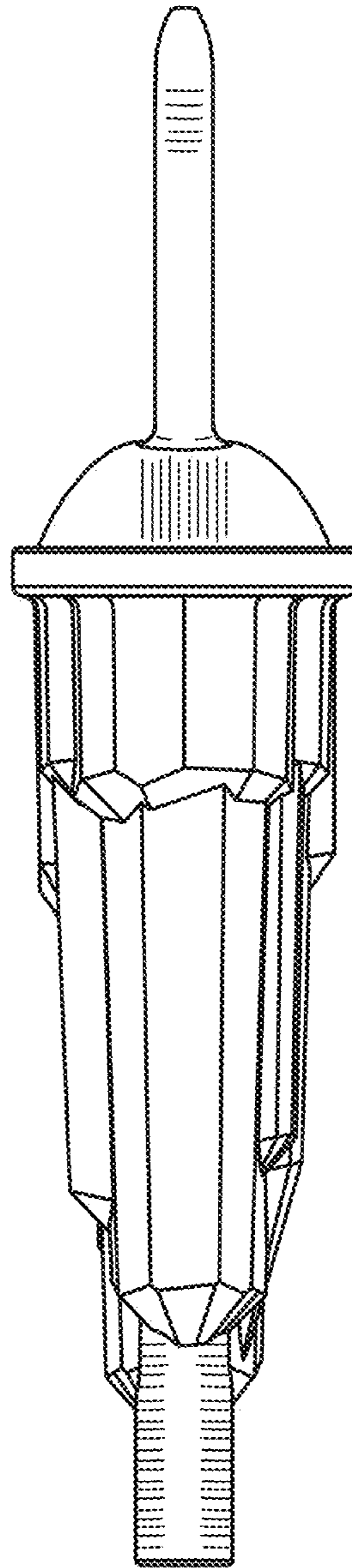


Fig 5

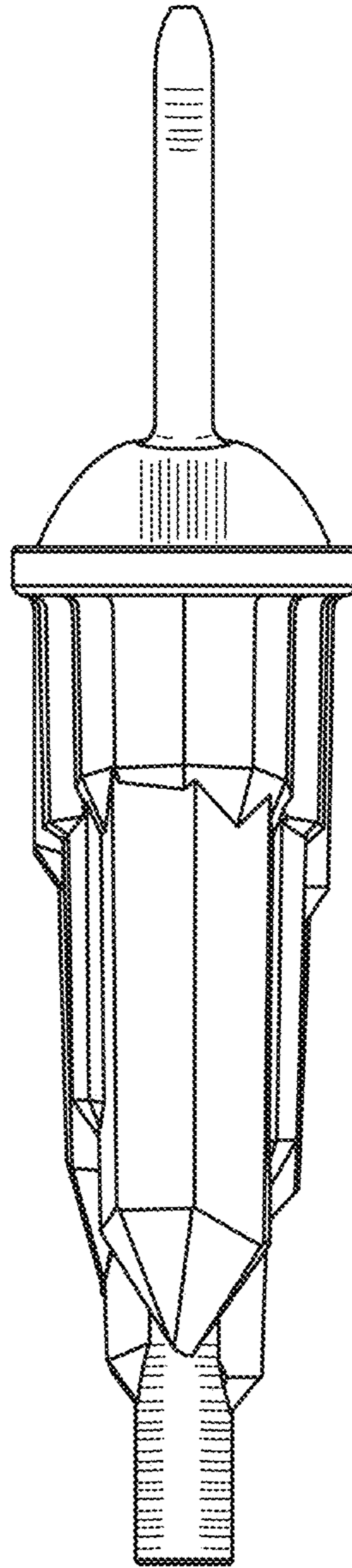


Fig 6

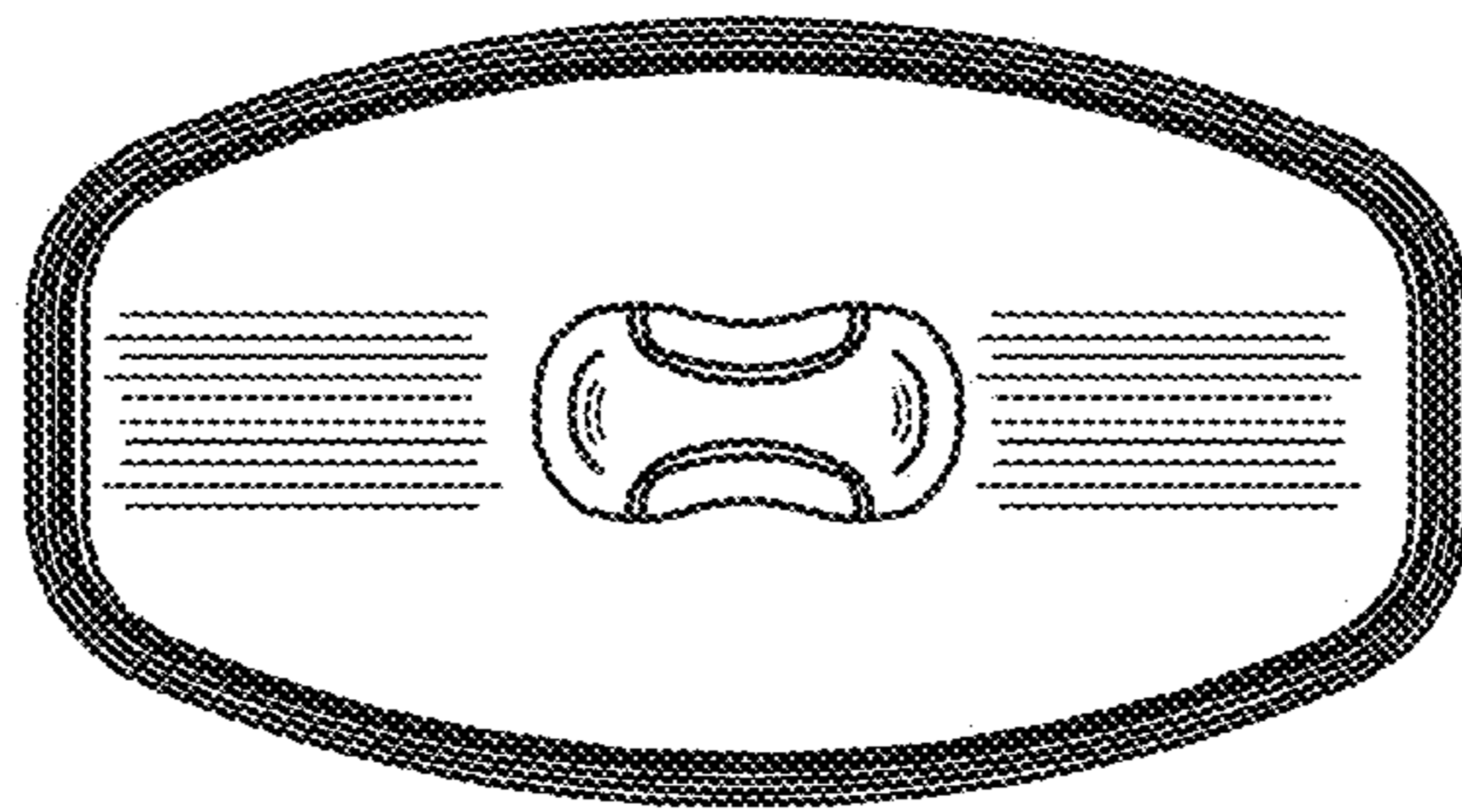


Fig 7

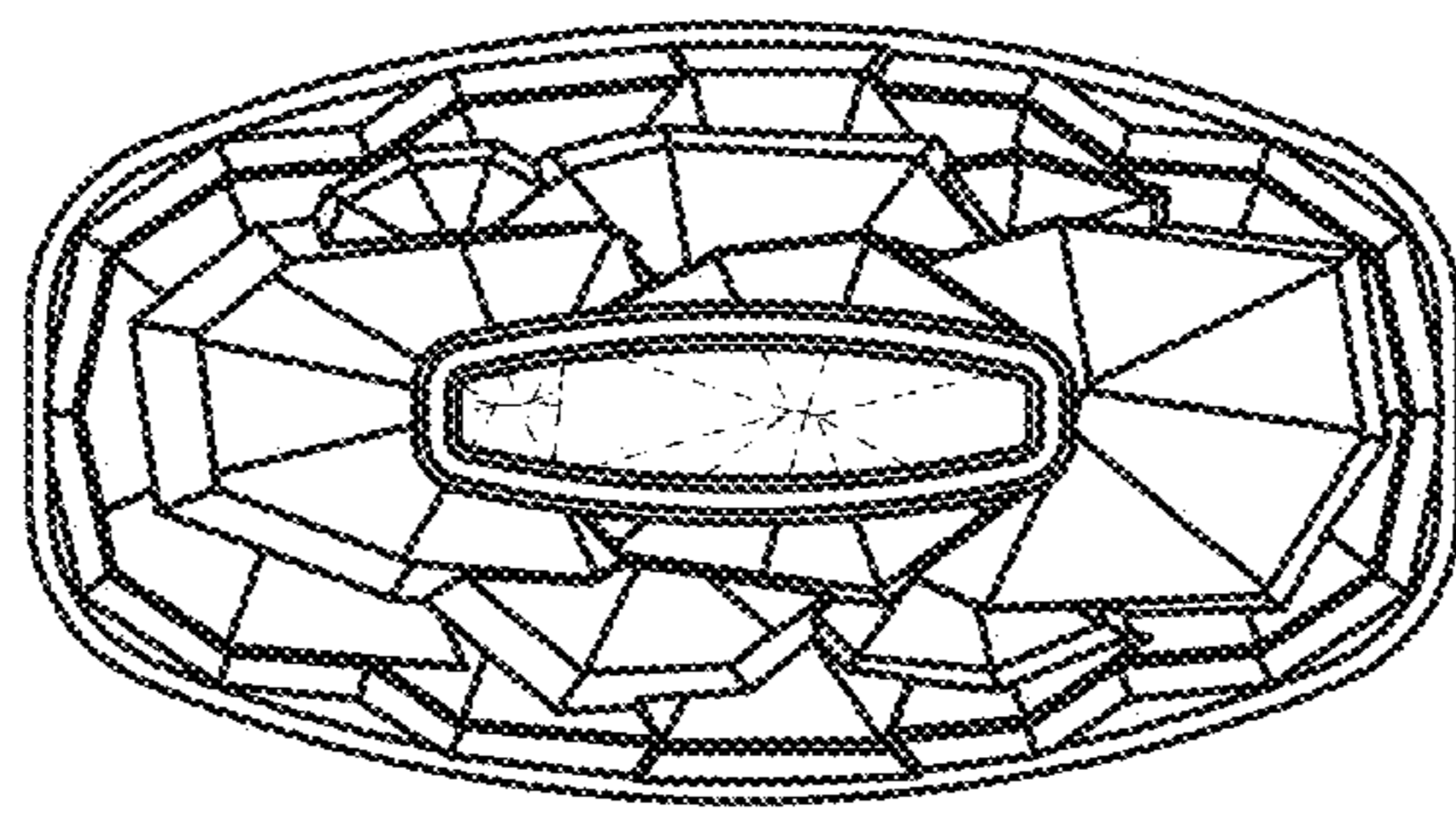


Fig 8