



US00D902669S

(12) **United States Design Patent** (10) **Patent No.:** **US D902,669 S**  
**Wu** (45) **Date of Patent:** **\*\* Nov. 24, 2020**

(54) **MANUAL JUICER** 7,469,848 B2 \* 12/2008 Yamanaka ..... A47J 43/25  
241/273.1  
(71) Applicant: **Weicai Wu**, Wuchuan (CN) D603,663 S \* 11/2009 Bodum ..... D7/629  
D878,167 S 3/2020 XiangZe  
(72) Inventor: **Weicai Wu**, Wuchuan (CN) 2003/0005832 A1 \* 1/2003 Wang ..... A47J 19/023  
100/213

(\*\*) Term: **15 Years**

\* cited by examiner

(21) Appl. No.: **29/745,103**

*Primary Examiner* — Terry A Wallace  
(74) *Attorney, Agent, or Firm* — ZANIP

(22) Filed: **Aug. 4, 2020**

(57) **CLAIM**

(51) **LOC (12) Cl.** ..... **07-04**

The ornamental design for a manual juicer, as shown and described.

(52) **U.S. Cl.**

USPC ..... **D7/665**; D7/678

**DESCRIPTION**

(58) **Field of Classification Search**

USPC ..... D7/665–667, 412, 368, 669, 376–386,  
D7/372

CPC ..... A47J 19/02; A47J 19/022; A47J 19/027;  
A47J 19/06; A47J 19/00; A47J 19/30;  
A47J 19/023; A47J 36/06; A47J 43/14;  
A47J 43/1087; A47J 43/105; A23N 1/00;  
A23N 1/003

See application file for complete search history.

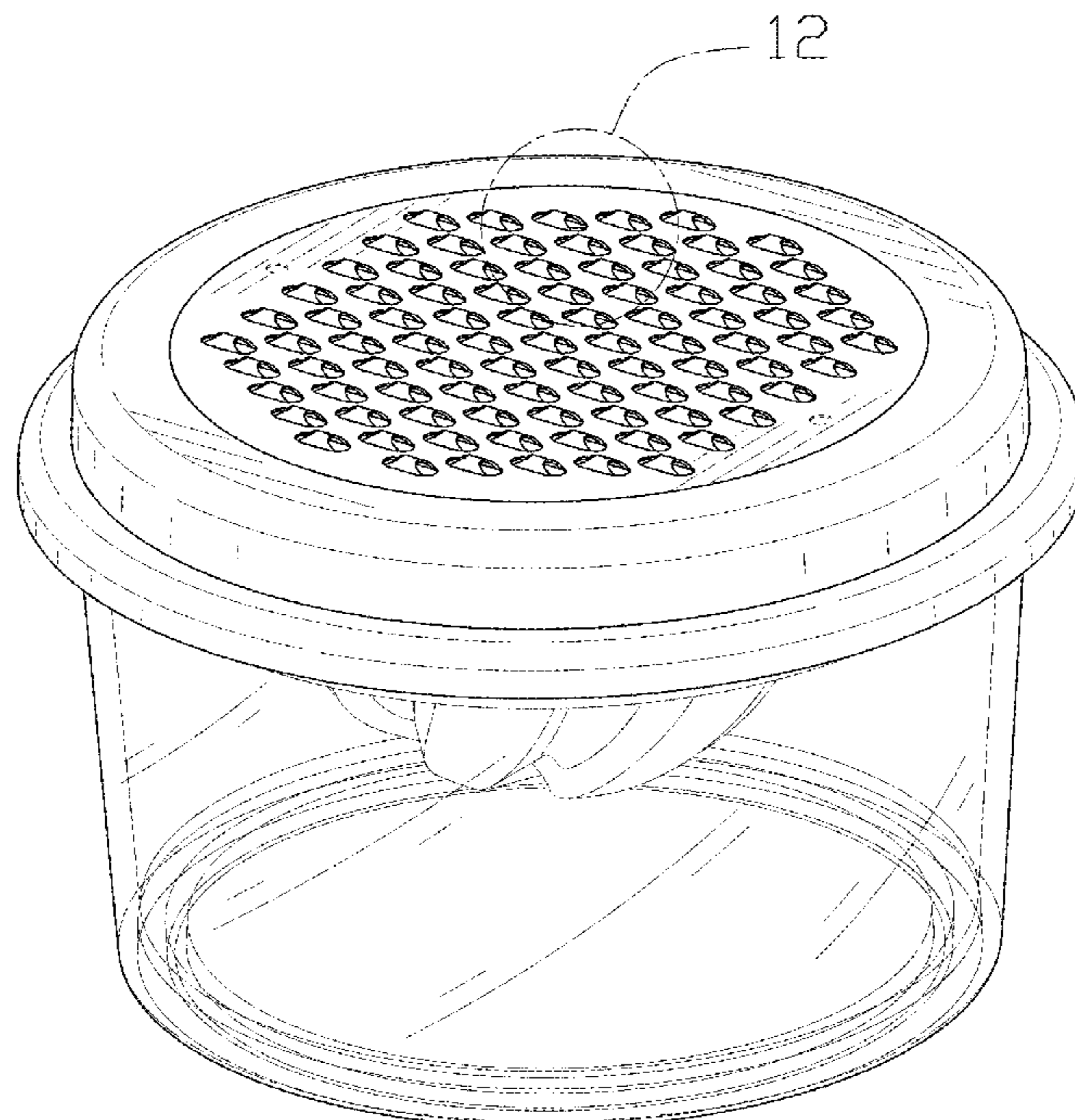
FIG. 1 is a front and top perspective view of a manual juicer, showing my new design;  
FIG. 2 is a rear and bottom perspective view thereof;  
FIG. 3 is a front elevational view thereof;  
FIG. 4 is a rear elevational view thereof;  
FIG. 5 is a left side elevational view thereof;  
FIG. 6 is a right side elevational view thereof;  
FIG. 7 is a top plan view thereof;  
FIG. 8 is a bottom plan view thereof;  
FIG. 9 is a perspective thereof, showing the manual juicer unconnected with a juicer head;  
FIG. 10 is a perspective thereof, showing the lid of the manual juicer in an overturn position;  
FIG. 11 is an exploded view thereof; and,  
FIG. 12 is an enlarged view of a portion indicated in FIG. 1. The dashed broken lines in the figures illustrate portions of the article that form no part of the claimed design. The dash dot dash lines in FIGS. 1 and 12 are for the purpose of depicting the cut line of the enlarged view and form no part of the claim.

(56) **References Cited**

U.S. PATENT DOCUMENTS

4,037,793 A \* 7/1977 Puustinen ..... A47J 43/25  
241/30  
5,088,392 A \* 2/1992 Ancona ..... A47J 19/023  
99/499  
D379,744 S \* 6/1997 Thackray ..... D7/665  
D465,386 S \* 11/2002 Wang ..... D7/665  
D473,431 S \* 4/2003 Schwamkrug ..... D7/665  
D507,159 S \* 7/2005 Lee ..... D7/678  
D510,509 S \* 10/2005 Graves ..... D7/678  
7,117,784 B2 \* 10/2006 de Groote ..... A47J 17/18  
99/508

**1 Claim, 12 Drawing Sheets**



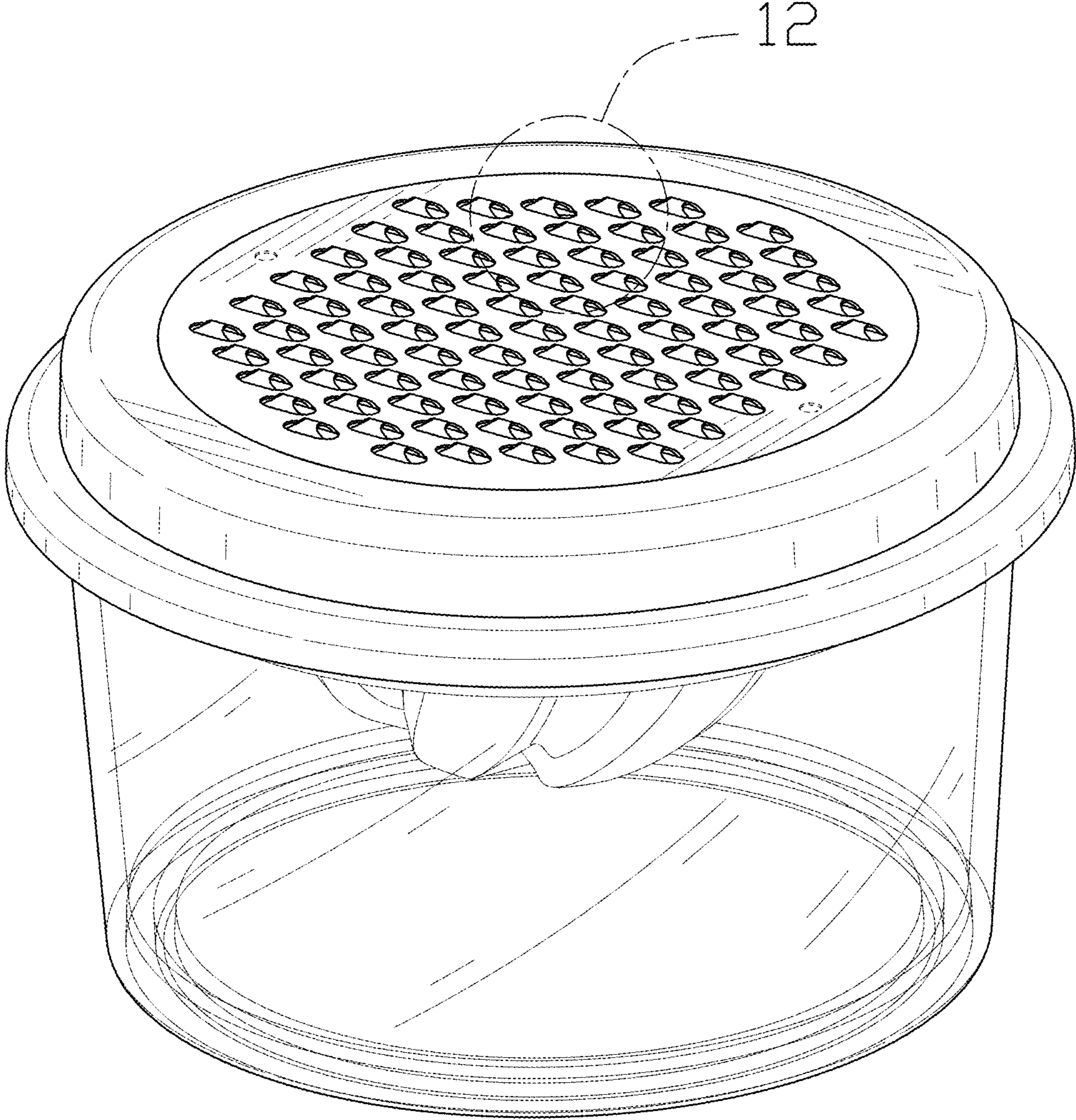


FIG. 1

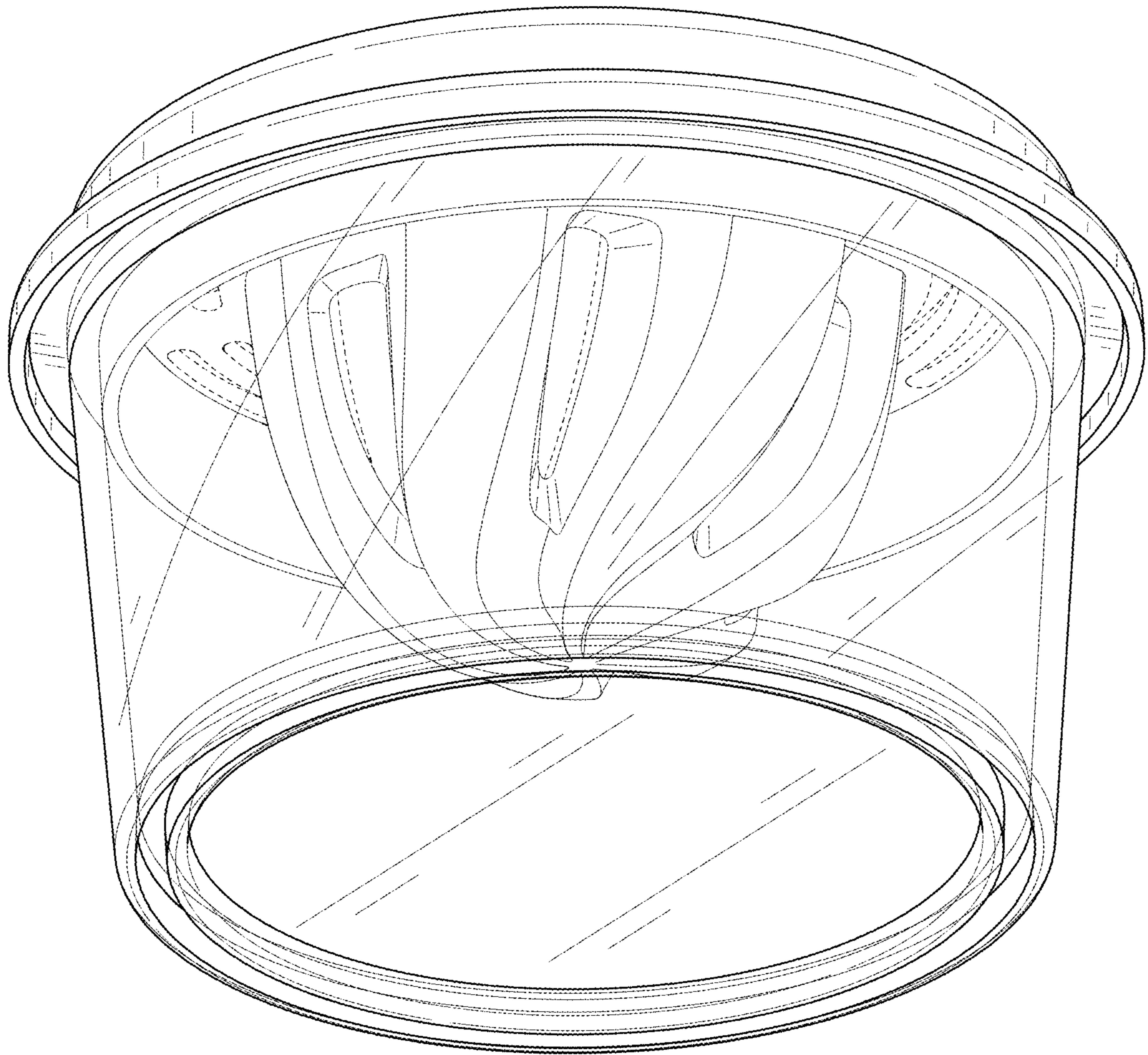


FIG. 2

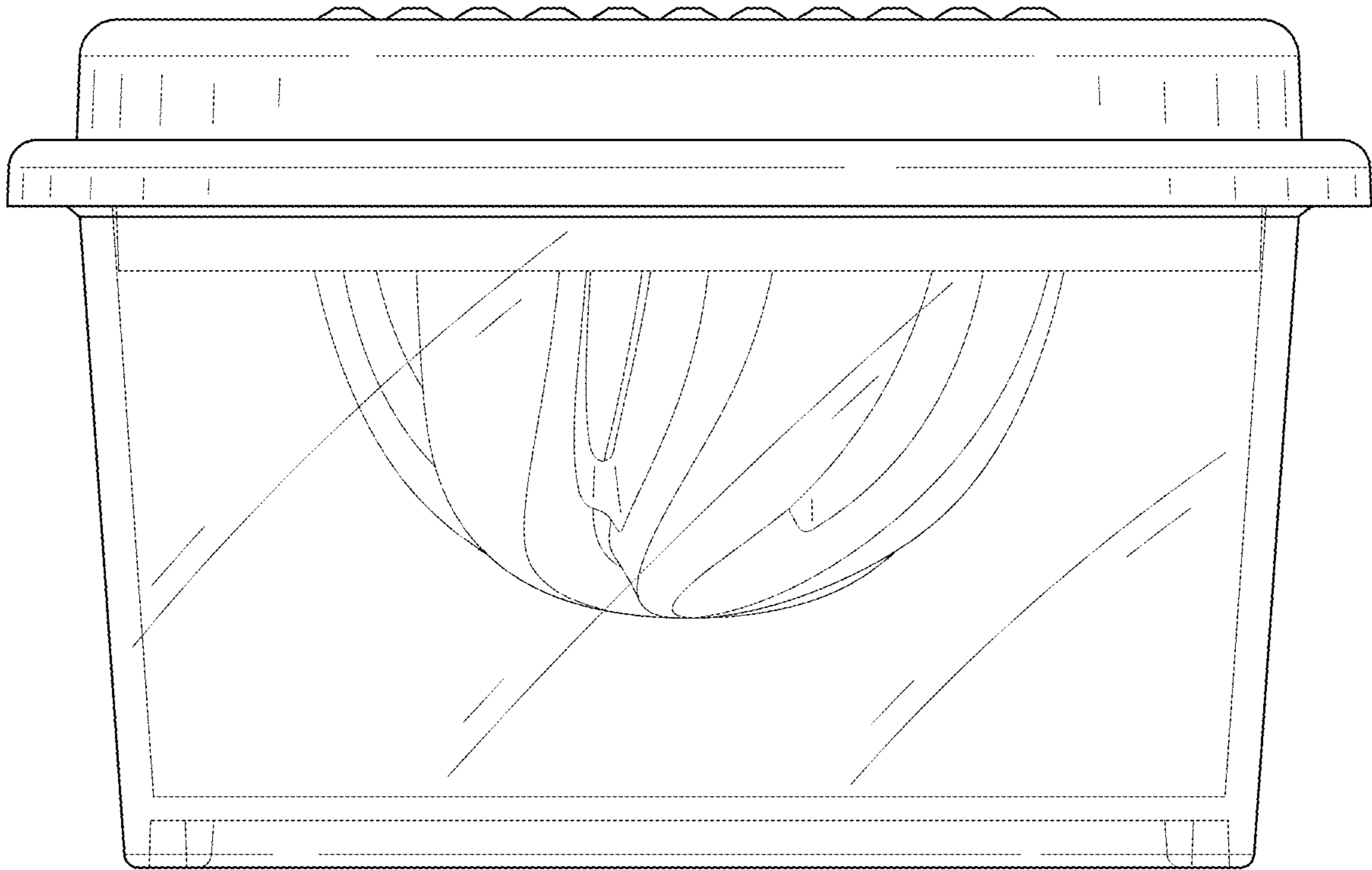


FIG. 3

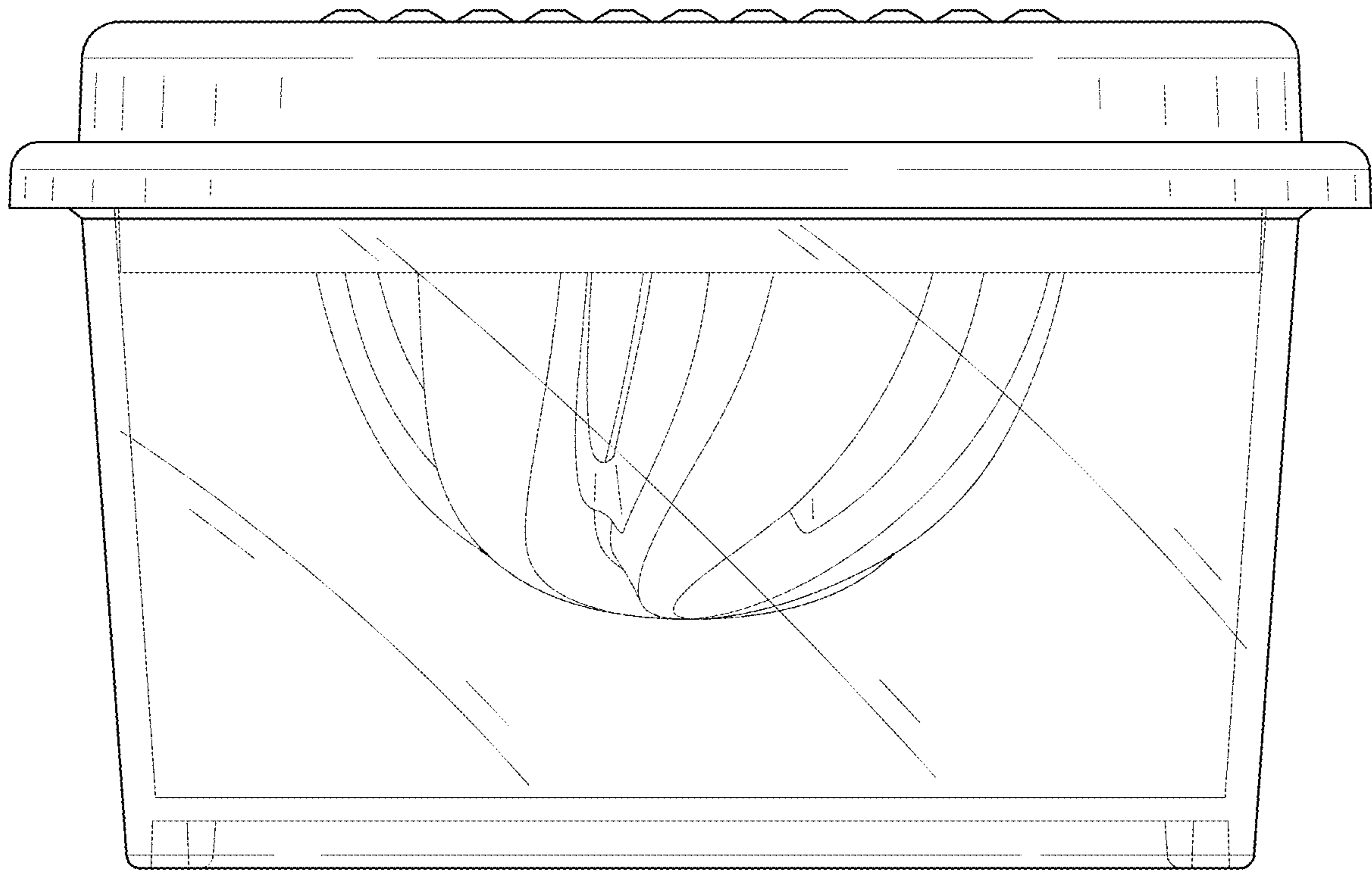


FIG. 4

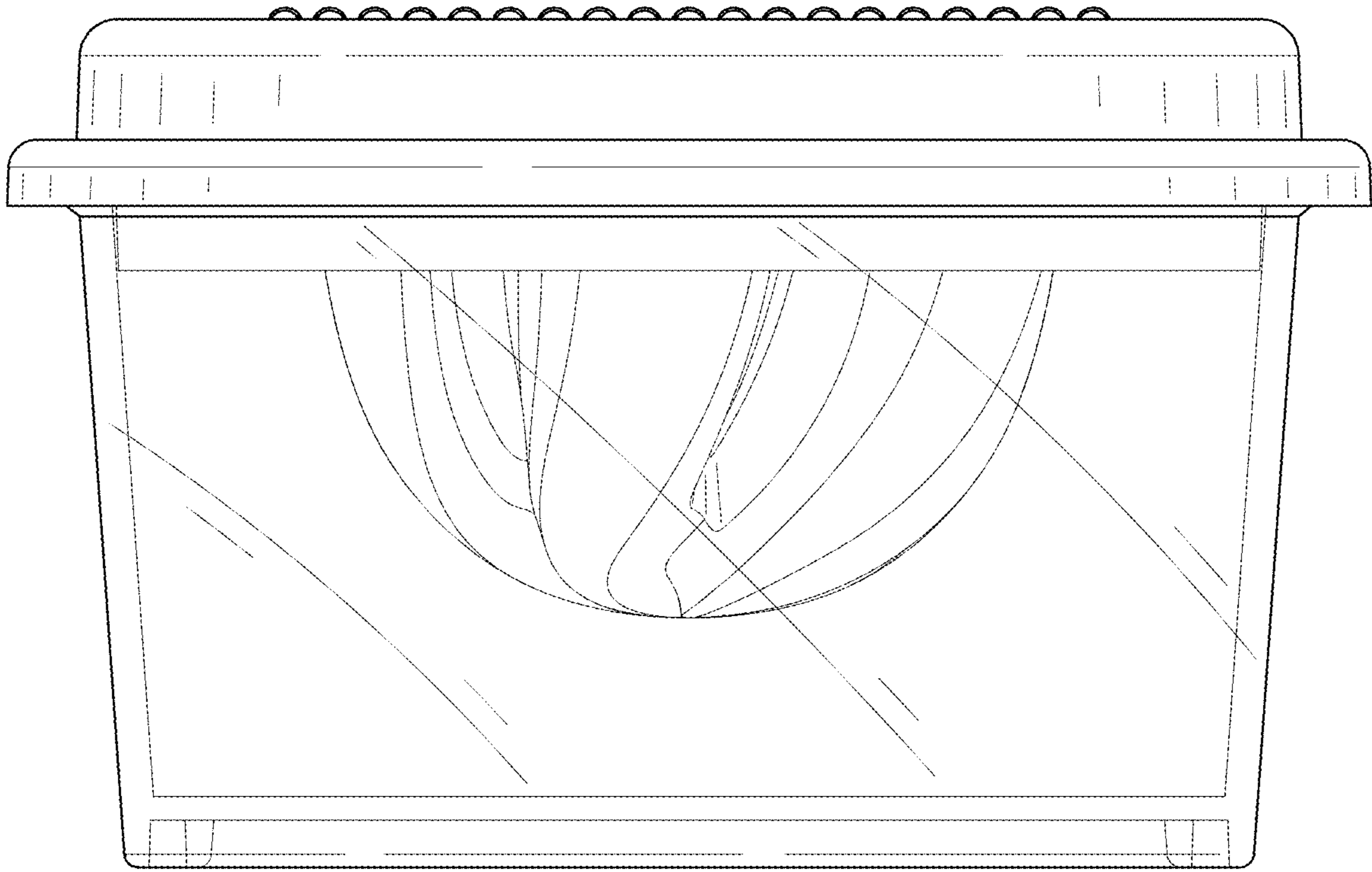


FIG. 5

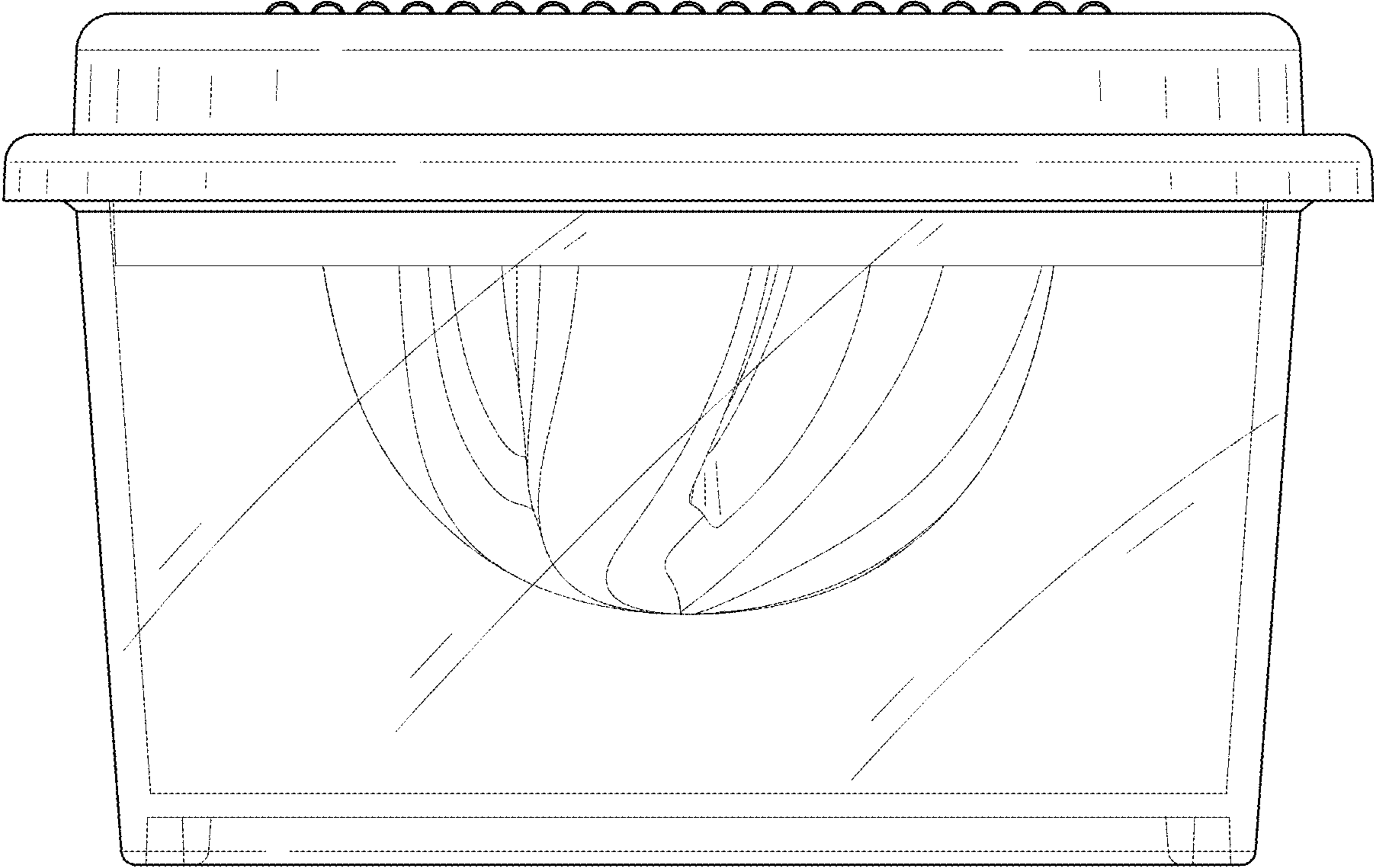


FIG. 6

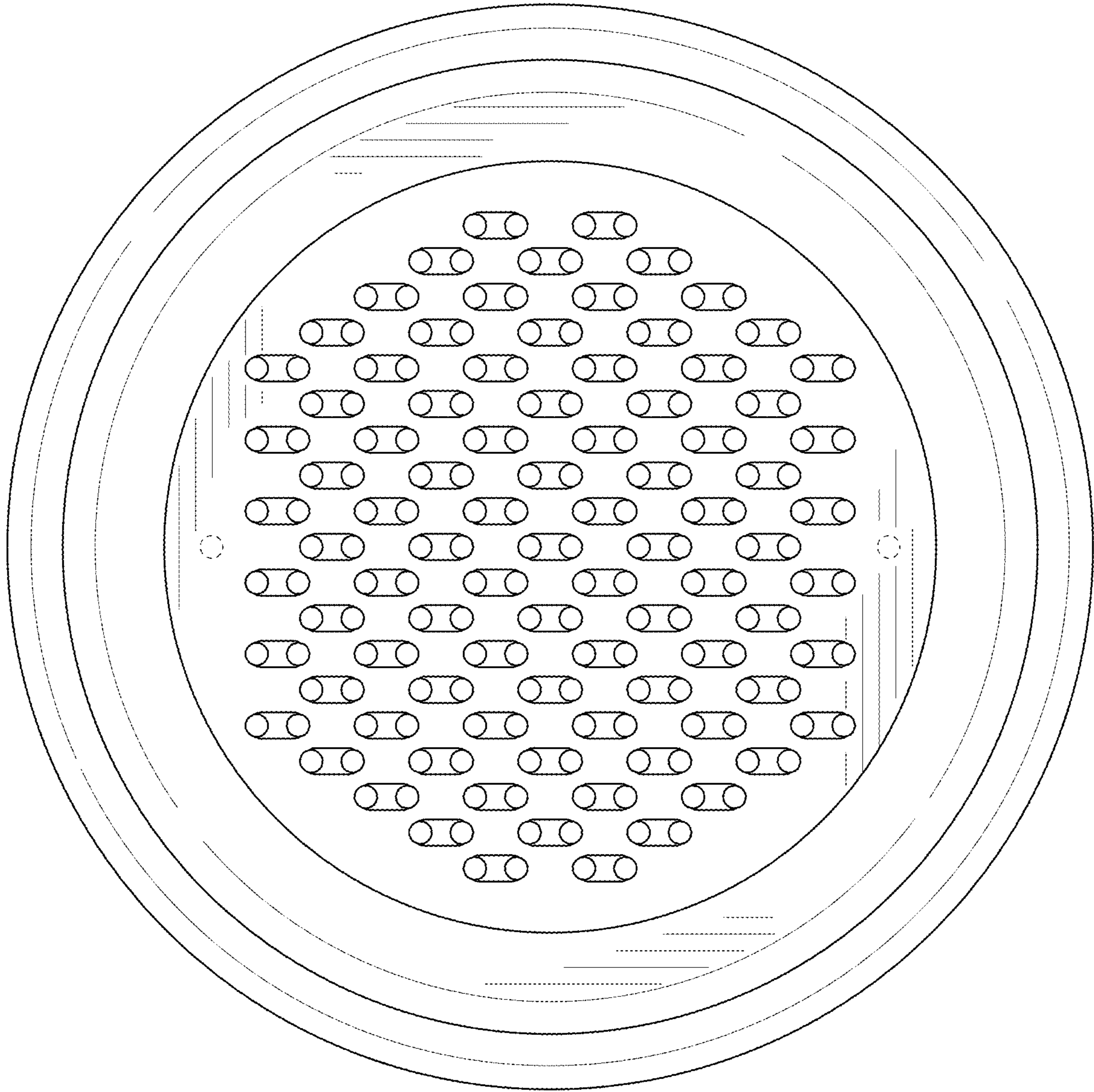


FIG. 7



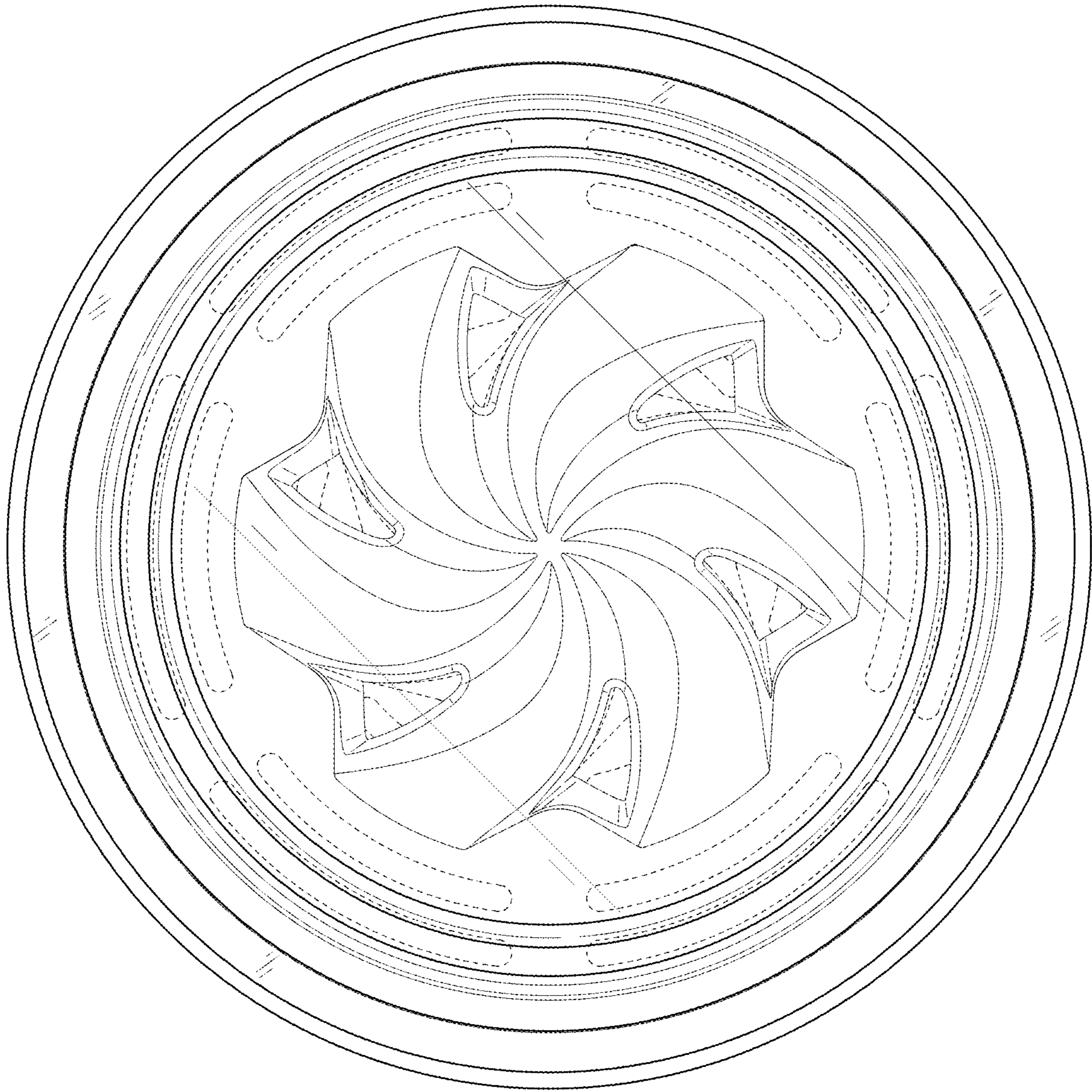


FIG. 8

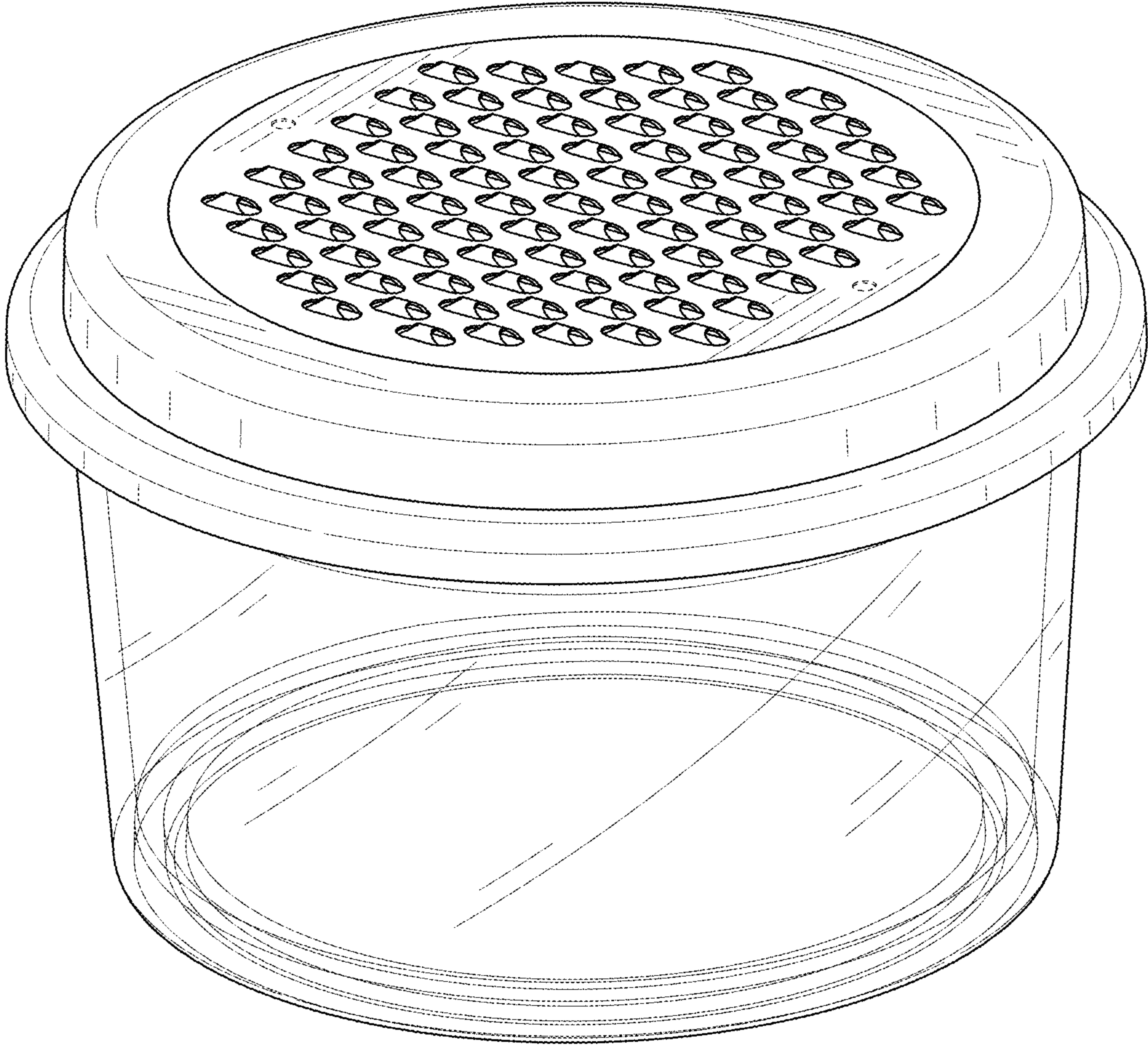


FIG. 9

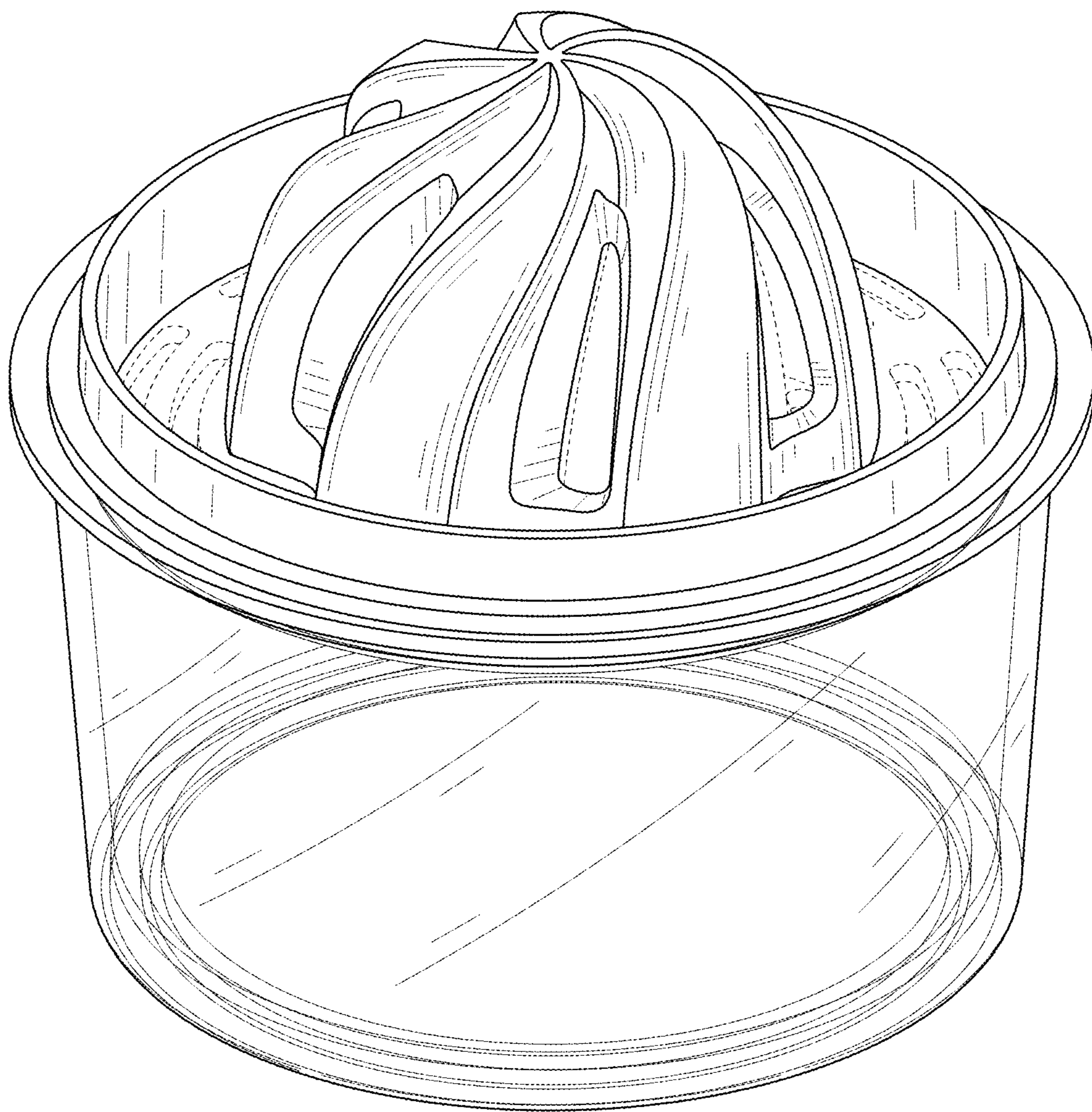


FIG. 10



FIG. 11

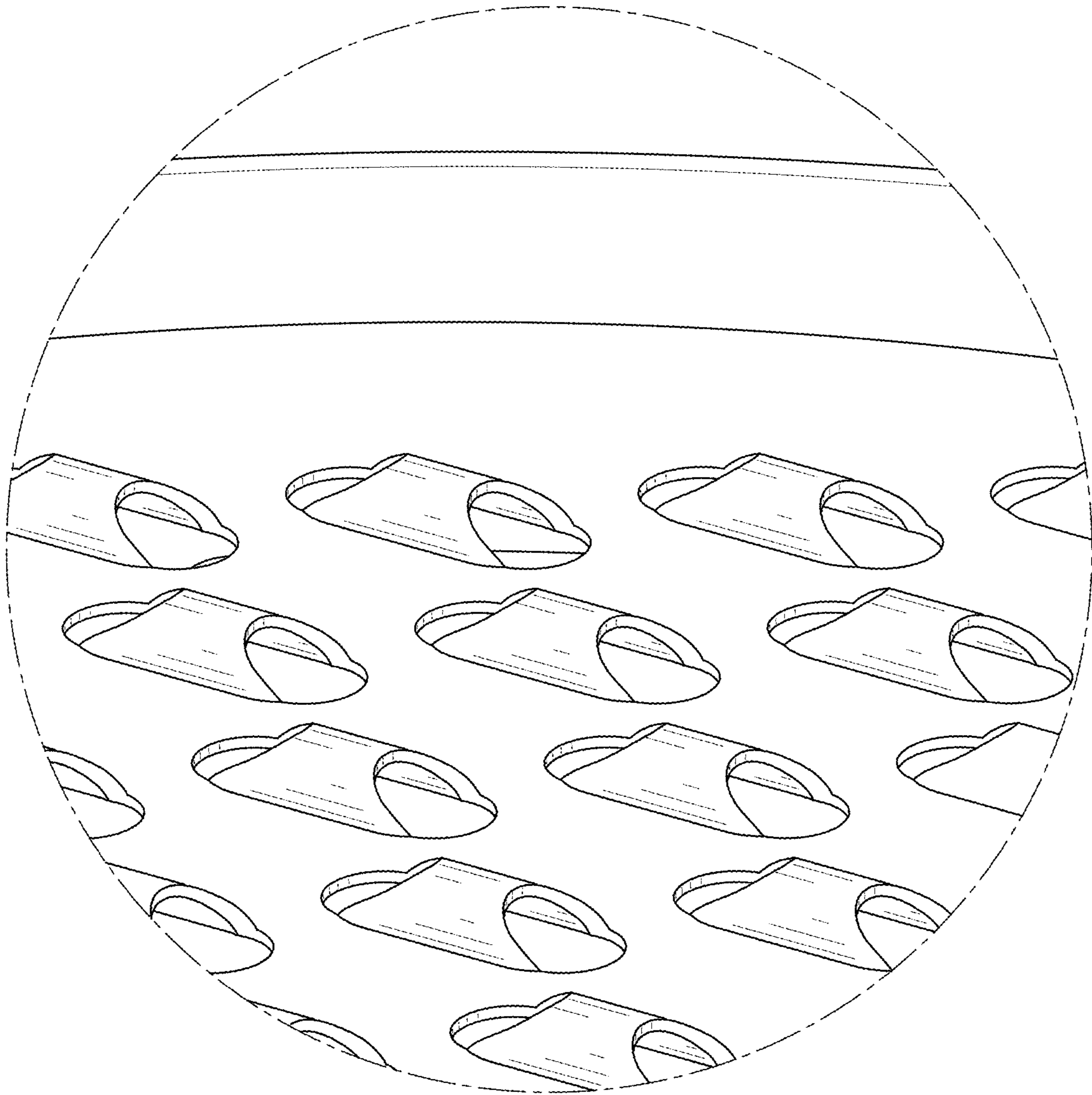


FIG. 12