



US00D902662S

(12) **United States Design Patent**  
**Coleman et al.**

(10) **Patent No.:** **US D902,662 S**

(45) **Date of Patent:** **\*\* Nov. 24, 2020**

- (54) **OIL SEPARATOR**
- (71) Applicants: **Terah Coleman**, Brooklyn, NY (US);  
**Min Kim**, Jersey City, NJ (US)
- (72) Inventors: **Terah Coleman**, Brooklyn, NY (US);  
**Min Kim**, Jersey City, NJ (US)
- (73) Assignee: **Helen of Troy Limited**, St. Michael  
(BB)
- (\*\*) Term: **15 Years**
- (21) Appl. No.: **29/667,178**
- (22) Filed: **Oct. 19, 2018**
- (51) **LOC (12) Cl.** ..... **07-07**
- (52) **U.S. Cl.**  
USPC ..... **D7/589**
- (58) **Field of Classification Search**  
USPC ..... D7/589, 598, 600; D9/516  
CPC ..... A47G 19/12; G01F 19/00; B65D 25/08;  
B67D 3/0051; B67D 1/045  
See application file for complete search history.

- 5,588,747 A \* 12/1996 Blevins ..... G01K 11/165  
374/150
- 6,427,879 B1 \* 8/2002 Caldwell ..... G01F 19/00  
222/158
- 7,395,949 B2 \* 7/2008 Ehret ..... B67D 1/045  
215/231
- D740,392 S \* 10/2015 Moore ..... D23/212
- 9,896,324 B2 \* 2/2018 Dziuk ..... B67D 3/0051
- 9,950,933 B1 \* 4/2018 Rinker ..... A47G 19/12
- D816,418 S \* 5/2018 Moldovan ..... D7/598
- D832,055 S \* 10/2018 Rose ..... D7/598
- 2003/0192911 A1 \* 10/2003 Jacobs ..... B65D 25/08  
222/129

\* cited by examiner

*Primary Examiner* — Cynthia R Underwood  
(74) *Attorney, Agent, or Firm* — Rankin, Hill & Clark  
LLP

(57) **CLAIM**

The ornamental design for an oil separator, as shown, and described.

**DESCRIPTION**

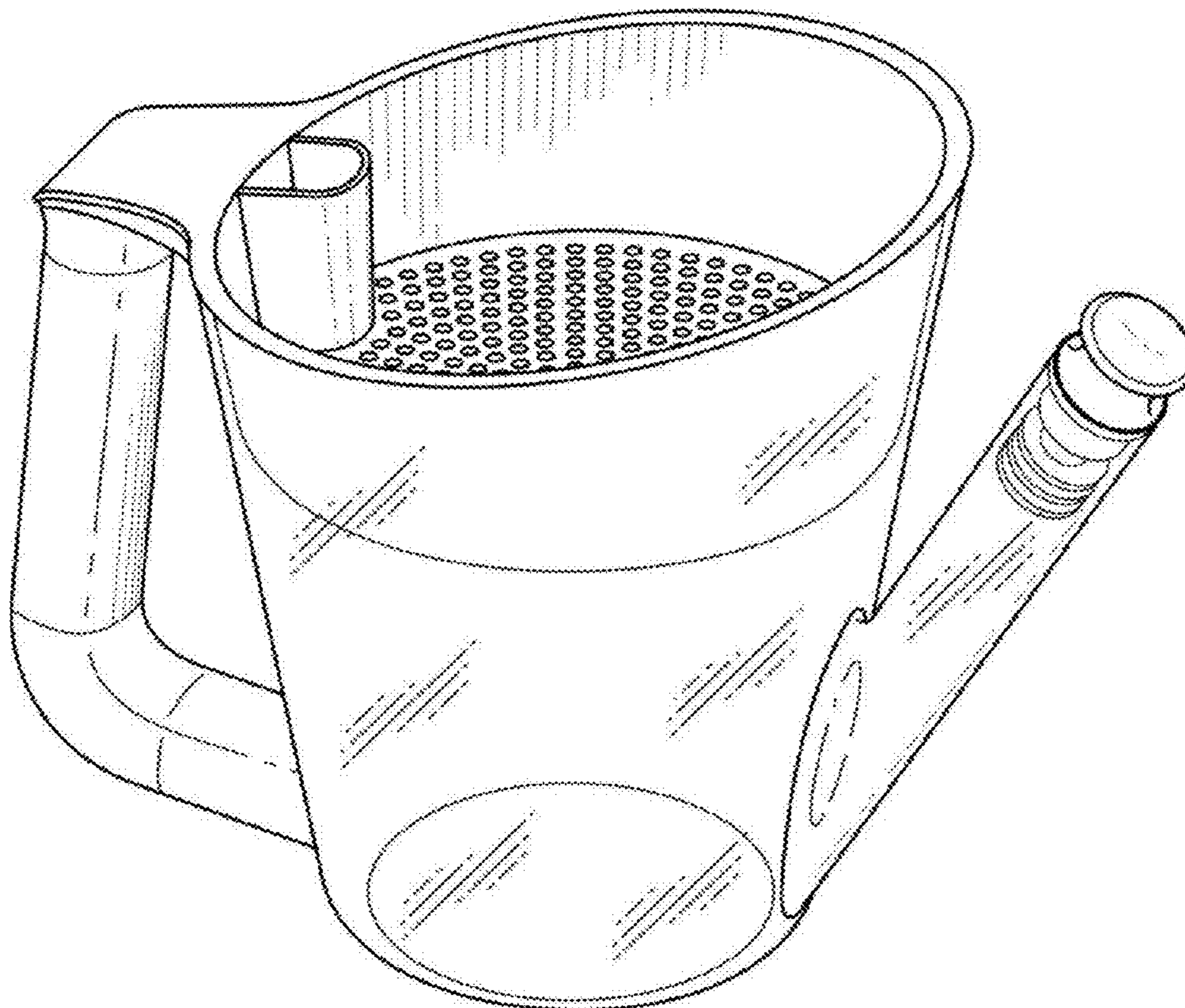
FIG. 1 is a perspective view of an oil separator;  
FIG. 2 is a front elevation view thereof;  
FIG. 3 is a rear elevation view thereof;  
FIG. 4 is a left side view thereof;  
FIG. 5 is a right side view thereof;  
FIG. 6 is a top plan view thereof; and,  
FIG. 7 is a bottom plan view thereof.

**1 Claim, 7 Drawing Sheets**

(56) **References Cited**

U.S. PATENT DOCUMENTS

- 4,230,238 A \* 10/1980 Wilson ..... G01F 19/00  
141/98
- D325,768 S \* 4/1992 Hankammer ..... D23/212



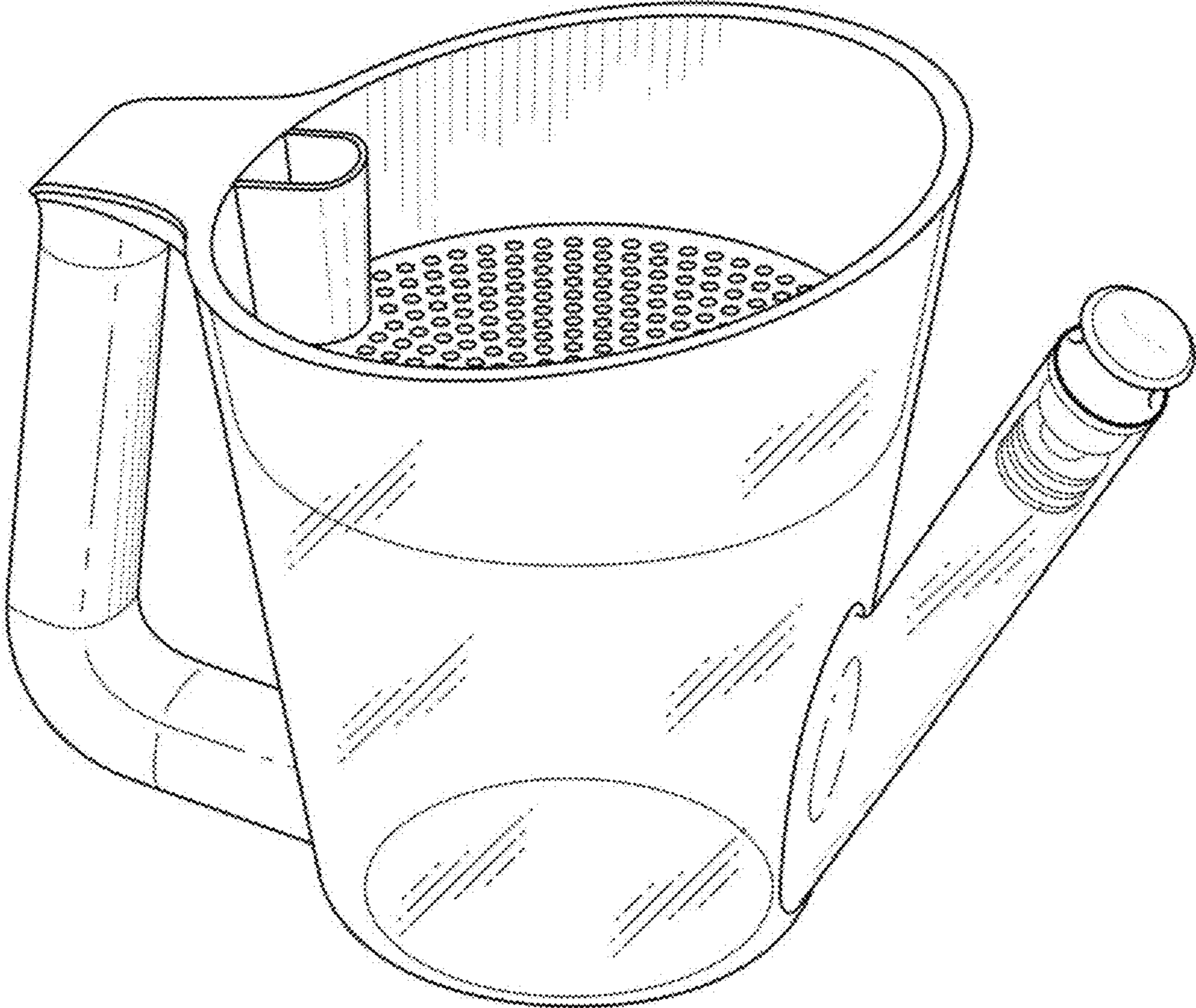


FIG. 1

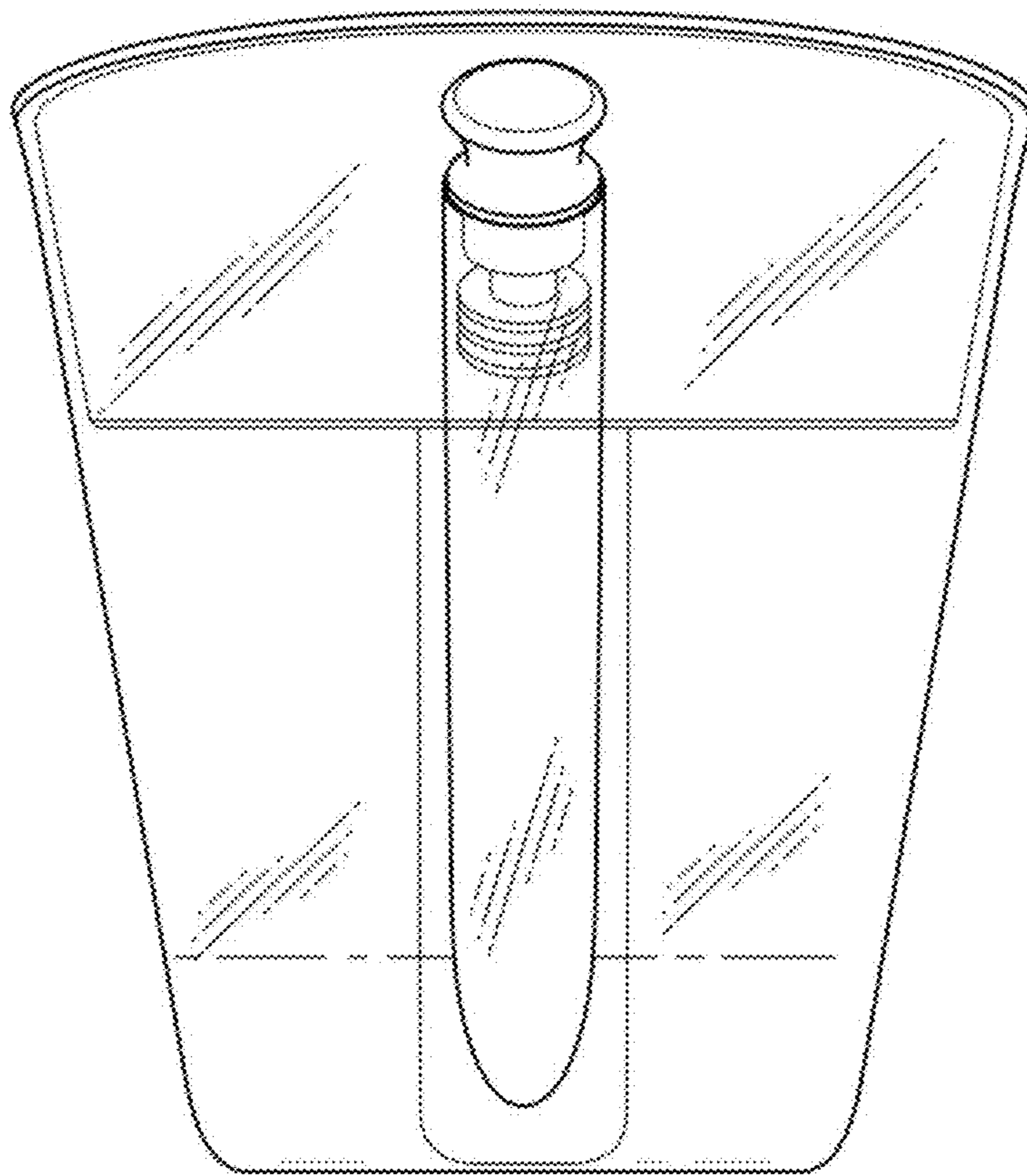


FIG. 2

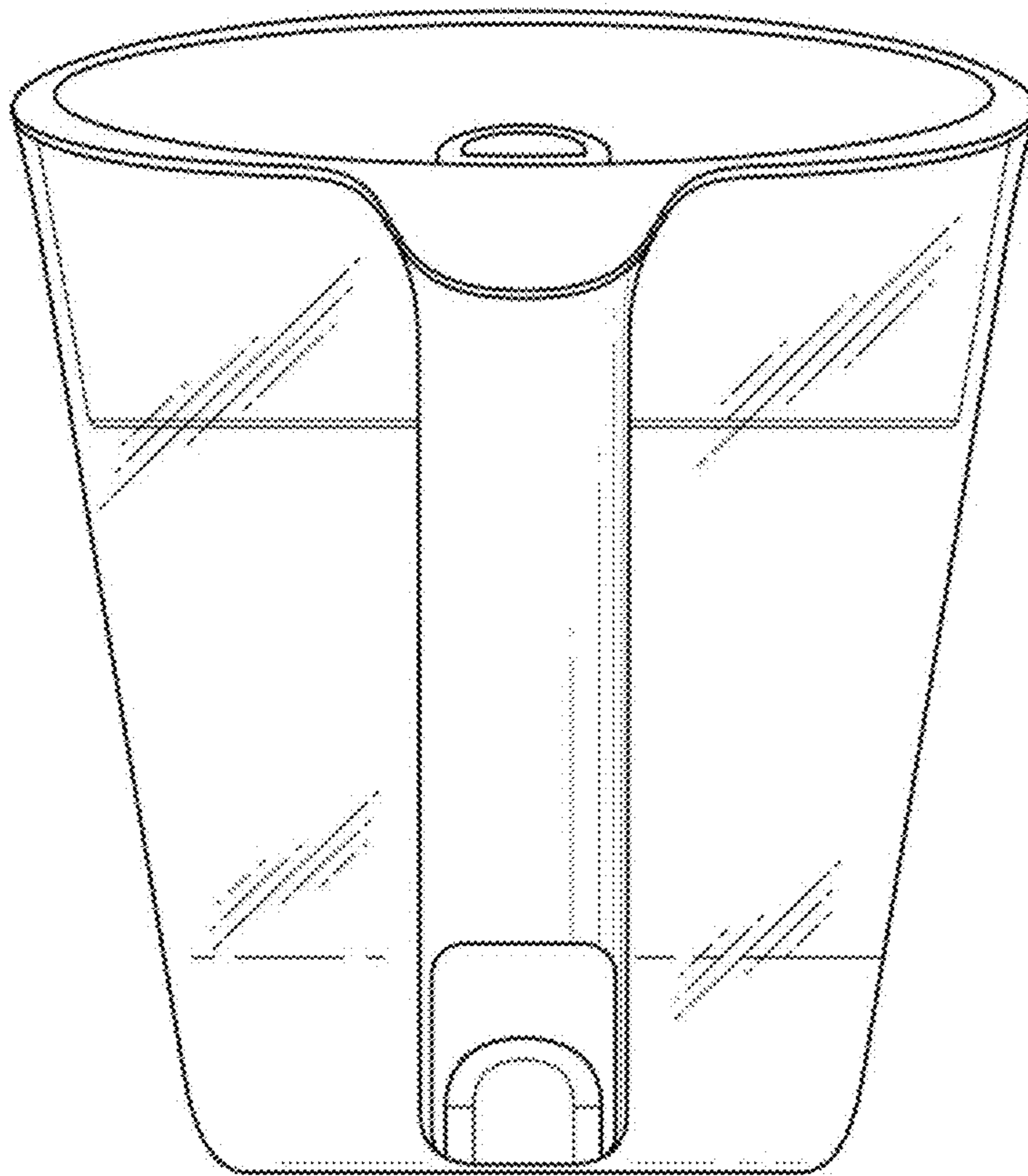


FIG. 3

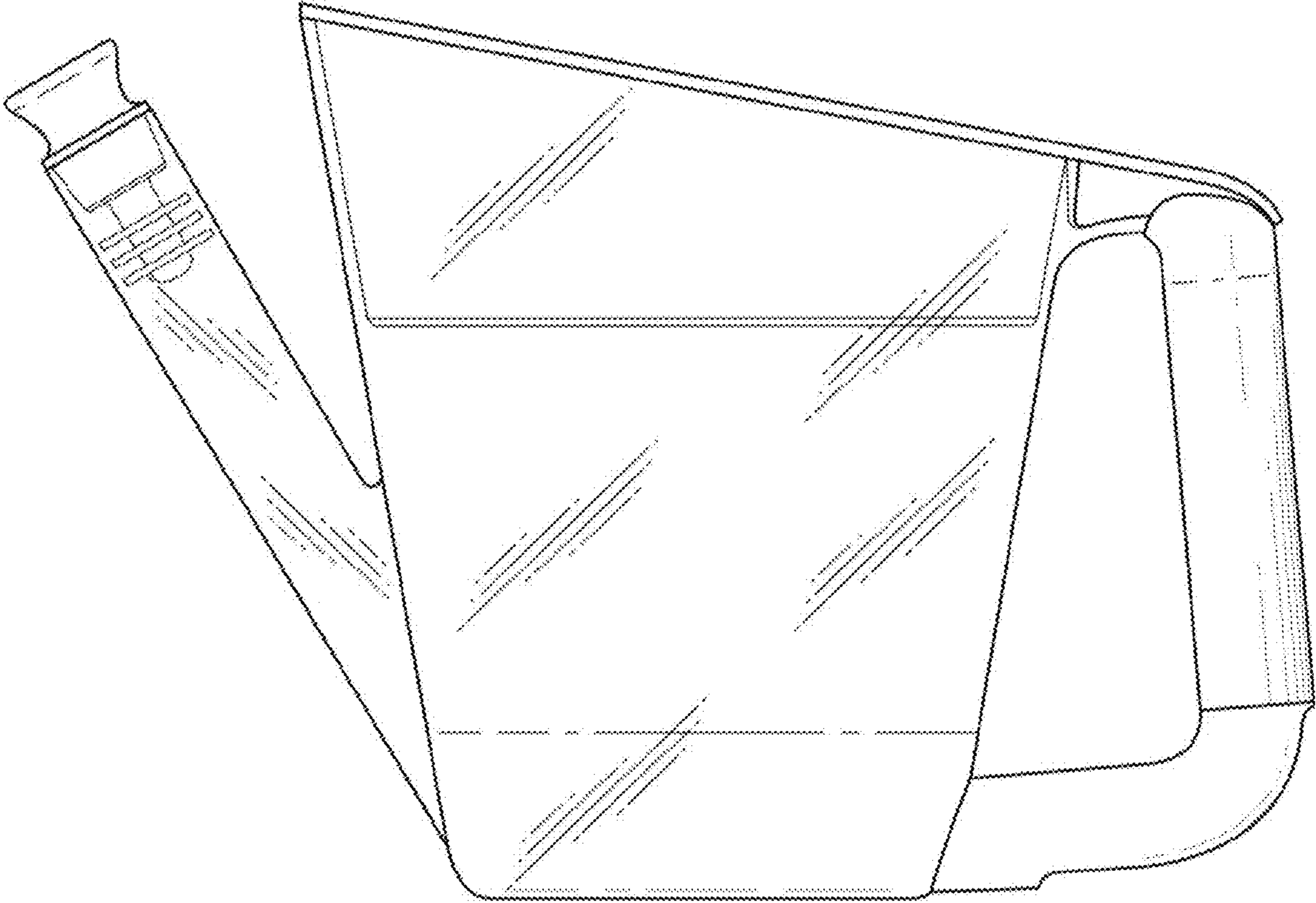


FIG. 4

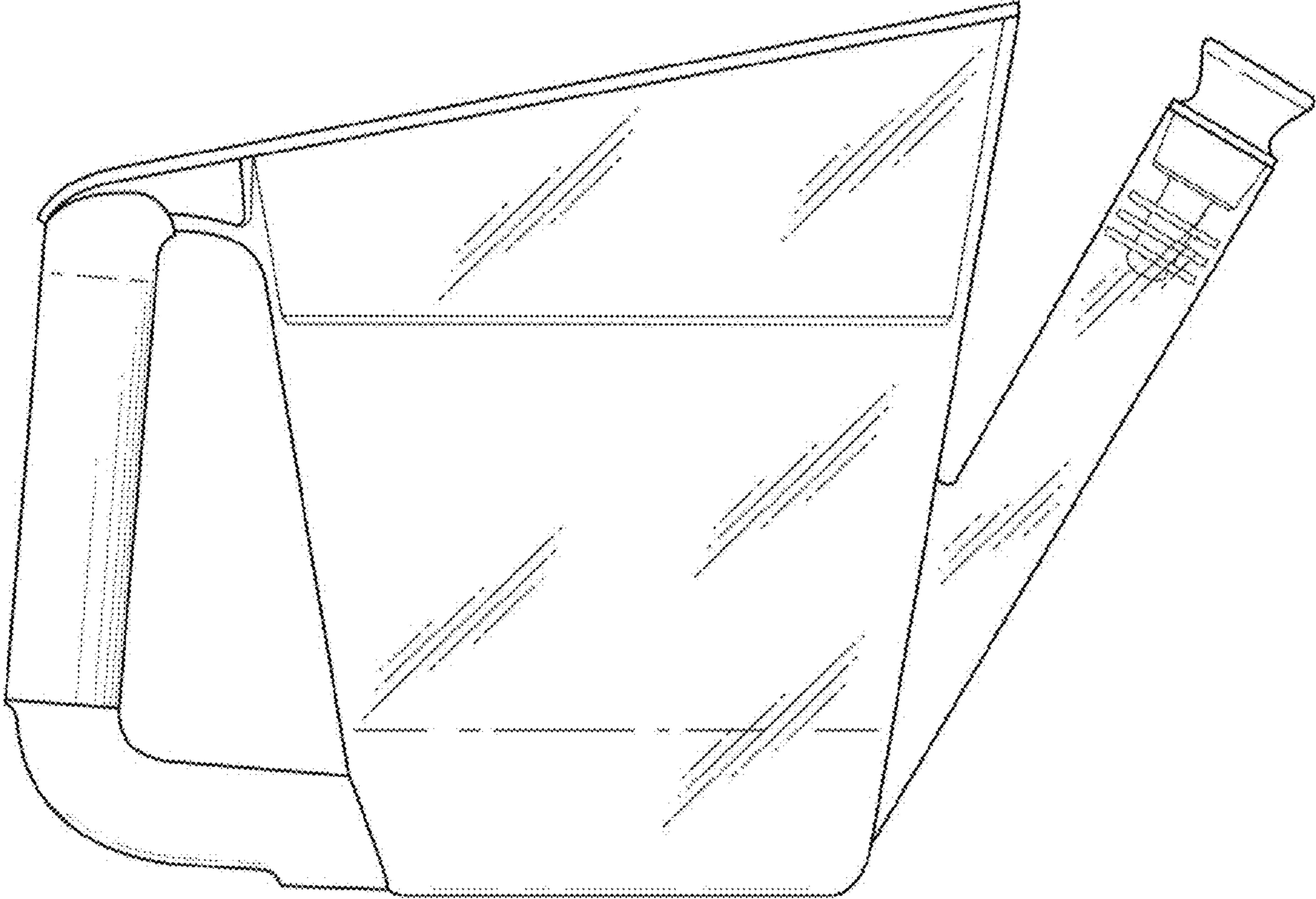


FIG. 5

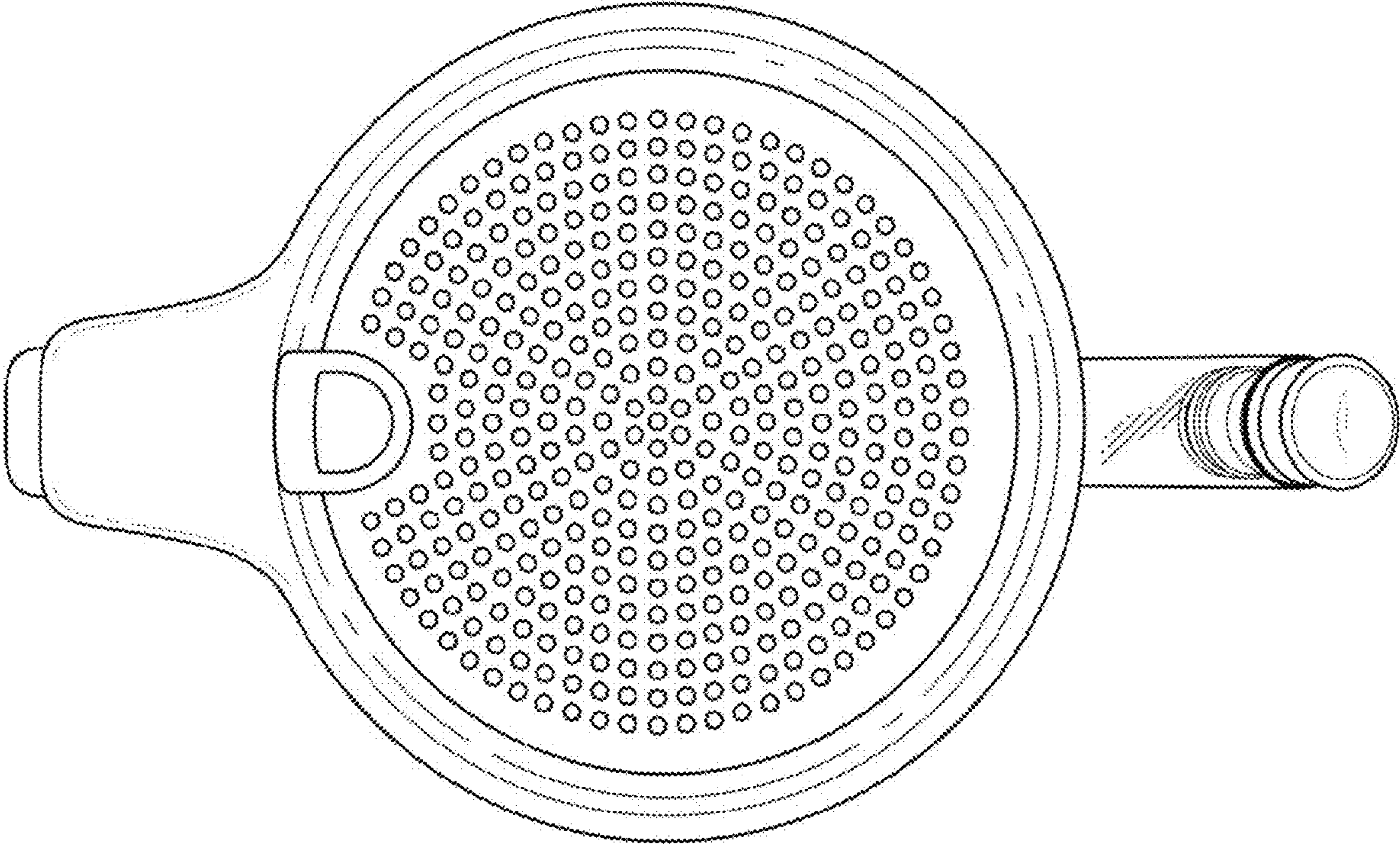


FIG. 6

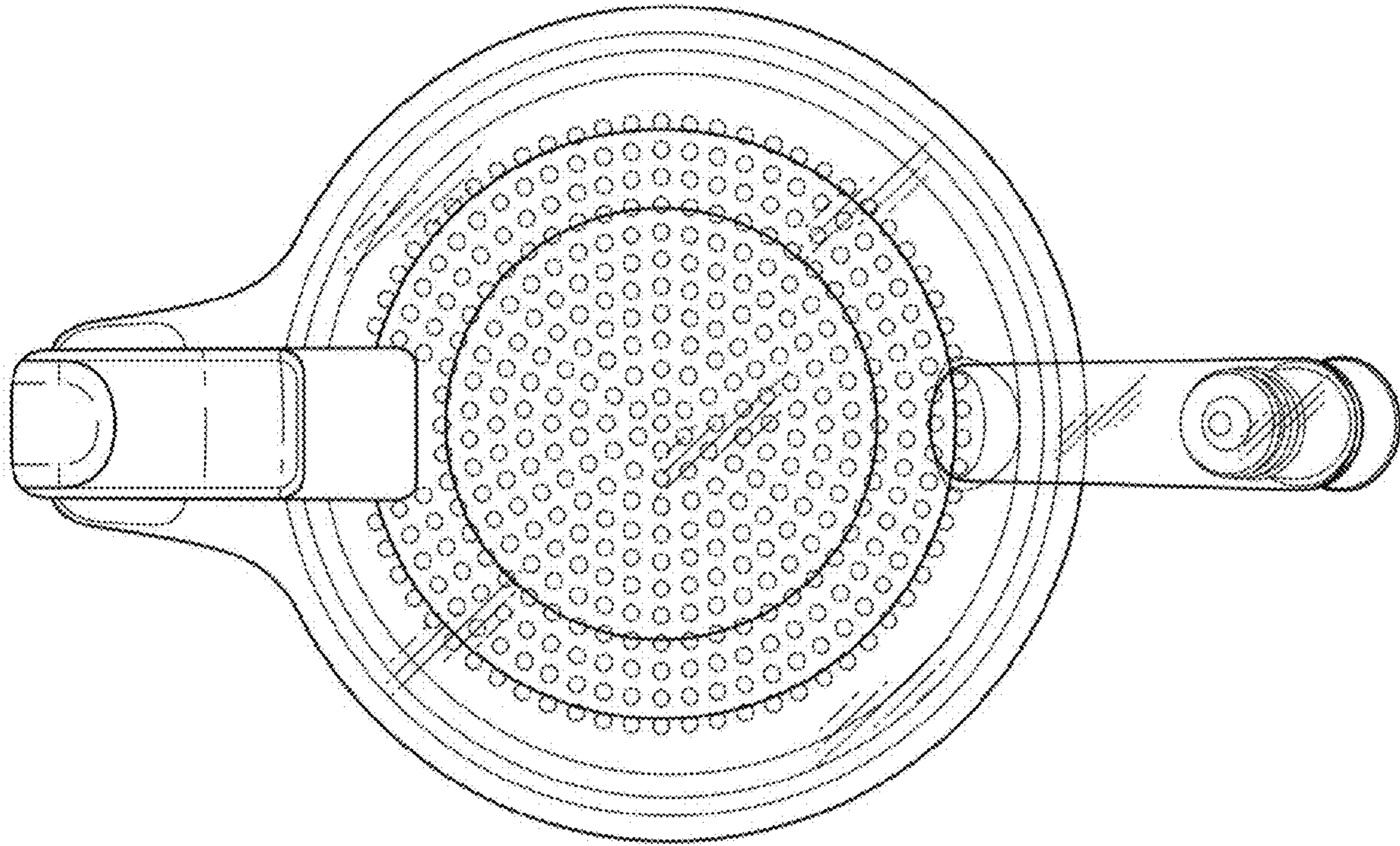


FIG. 7