



US00D902661S

(12) **United States Design Patent**  
**Takahashi**

(10) **Patent No.:** **US D902,661 S**

(45) **Date of Patent:** **\*\* Nov. 24, 2020**

- (54) **BOWL**
- (71) Applicant: **Tomonori Takahashi**, Granada Hills, CA (US)
- (72) Inventor: **Tomonori Takahashi**, Granada Hills, CA (US)
- (\*\*) Term: **15 Years**
- (21) Appl. No.: **29/697,488**
- (22) Filed: **Jul. 9, 2019**
- (51) **LOC (12) Cl.** ..... **07-01**
- (52) **U.S. Cl.**  
USPC ..... **D7/584**
- (58) **Field of Classification Search**  
USPC ..... D7/500, 587, 565, 560, 543, 523, 584,  
D7/602; D30/130; D19/104  
CPC ..... A47G 19/025; A47G 19/02  
See application file for complete search history.

- D673,813 S \* 1/2013 Abel ..... D7/584
- D701,732 S \* 4/2014 Ehrenhaus ..... D7/539
- D708,905 S \* 7/2014 Wilson ..... D7/566
- D709,332 S \* 7/2014 Katterheinrich ..... D7/566
- D738,690 S \* 9/2015 Spaulding ..... D7/607
- D738,720 S \* 9/2015 Yang ..... D9/428
- D746,639 S \* 1/2016 Cossu ..... D7/566
- D748,436 S \* 2/2016 Kent ..... D7/584
- D763,626 S \* 8/2016 Westrick ..... D7/584
- D824,216 S \* 7/2018 Nicoletos ..... D7/584
- D851,776 S \* 6/2019 Weinstein ..... D24/206
- D859,931 S \* 9/2019 de Oliveira ..... D7/587
- D868,275 S \* 11/2019 Weinstein ..... B65D 81/382  
D24/206
- D873,079 S \* 1/2020 Morito ..... D7/587
- D876,901 S \* 3/2020 Cheng ..... D7/586

\* cited by examiner

*Primary Examiner* — Cynthia R Underwood  
(74) *Attorney, Agent, or Firm* — DeNovo Legal, PC

(57) **CLAIM**

The ornamental design for a bowl, as shown and described.

(56) **References Cited**

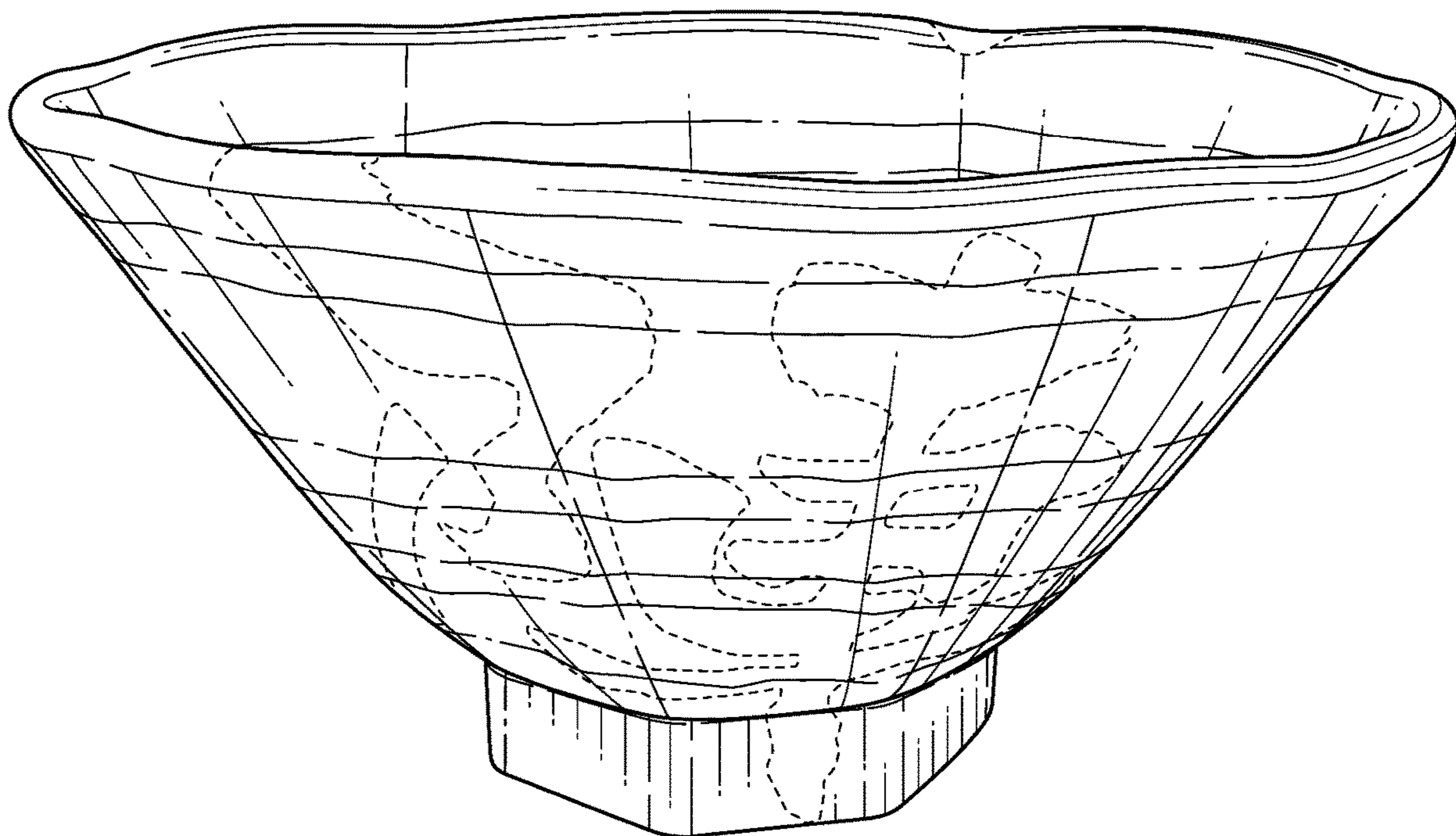
U.S. PATENT DOCUMENTS

- D274,970 S \* 8/1984 Durand ..... D7/564
- D283,388 S \* 4/1986 Durand ..... D7/564
- D310,937 S \* 10/1990 Durand ..... D7/563
- 6,152,319 A \* 11/2000 Kamachi ..... A47J 41/0077  
220/592.2
- D446,421 S \* 8/2001 Lavallo Rowell ..... D7/396.4
- D460,019 S \* 7/2002 Thimm ..... D11/148
- D548,530 S \* 8/2007 Dien ..... D7/560
- D598,714 S \* 8/2009 Aagaard ..... D7/554.1
- D613,837 S \* 4/2010 Slothower ..... D23/295
- D643,248 S \* 8/2011 Schmidt ..... D7/505

**DESCRIPTION**

FIG. 1 is a perspective view of the bowl;  
FIG. 2 is a front view of the bowl;  
FIG. 3 shows a rear view of the bowl;  
FIG. 4 shows a first side view of the bowl;  
FIG. 5 shows a second side view of the bowl;  
FIG. 6 shows a top view of the bowl; and,  
FIG. 7 shows a bottom view of the bowl.  
The portions of the bowl shown in broken lines form no part of the claimed design.

**1 Claim, 5 Drawing Sheets**



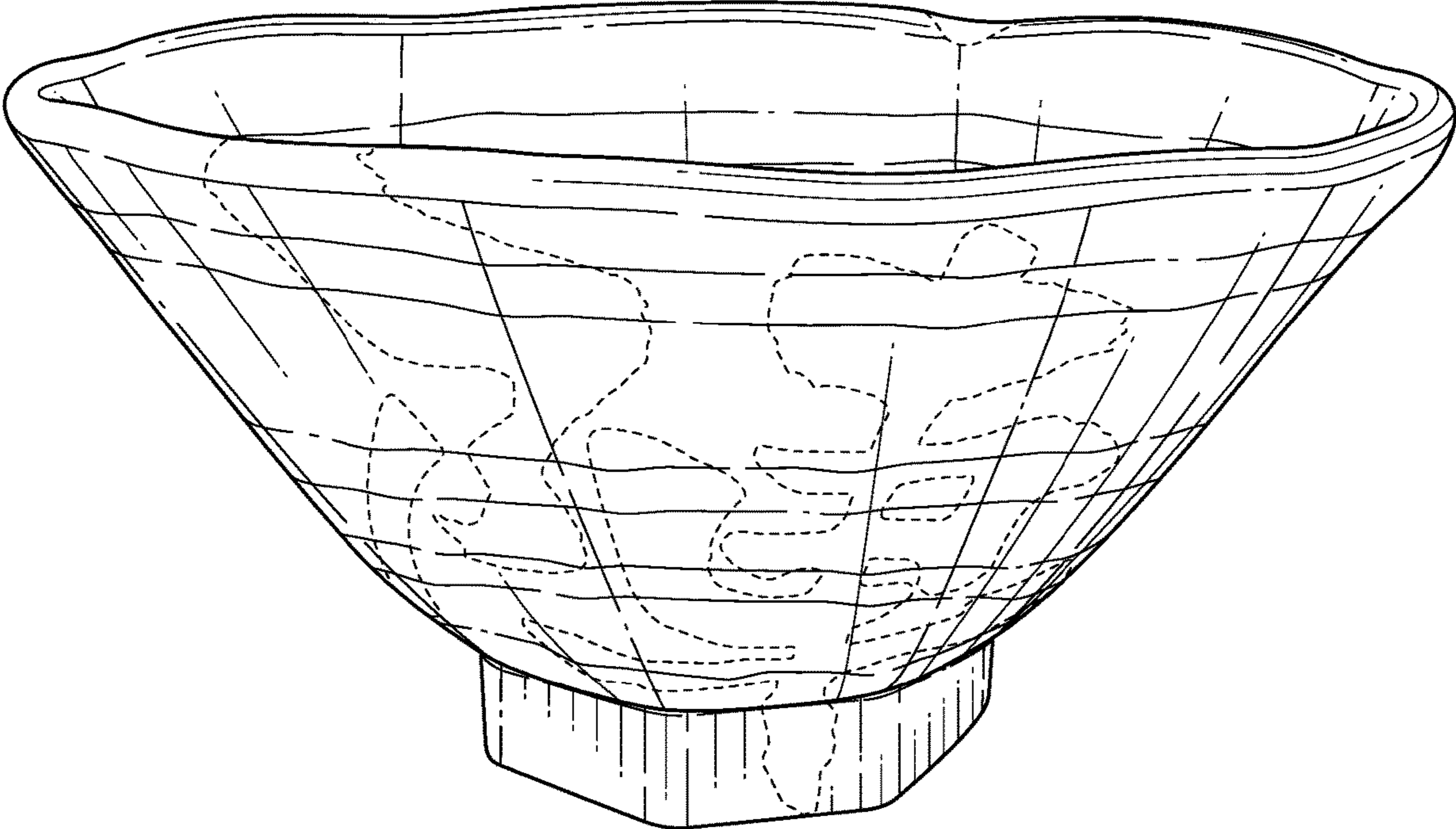


FIG. 1

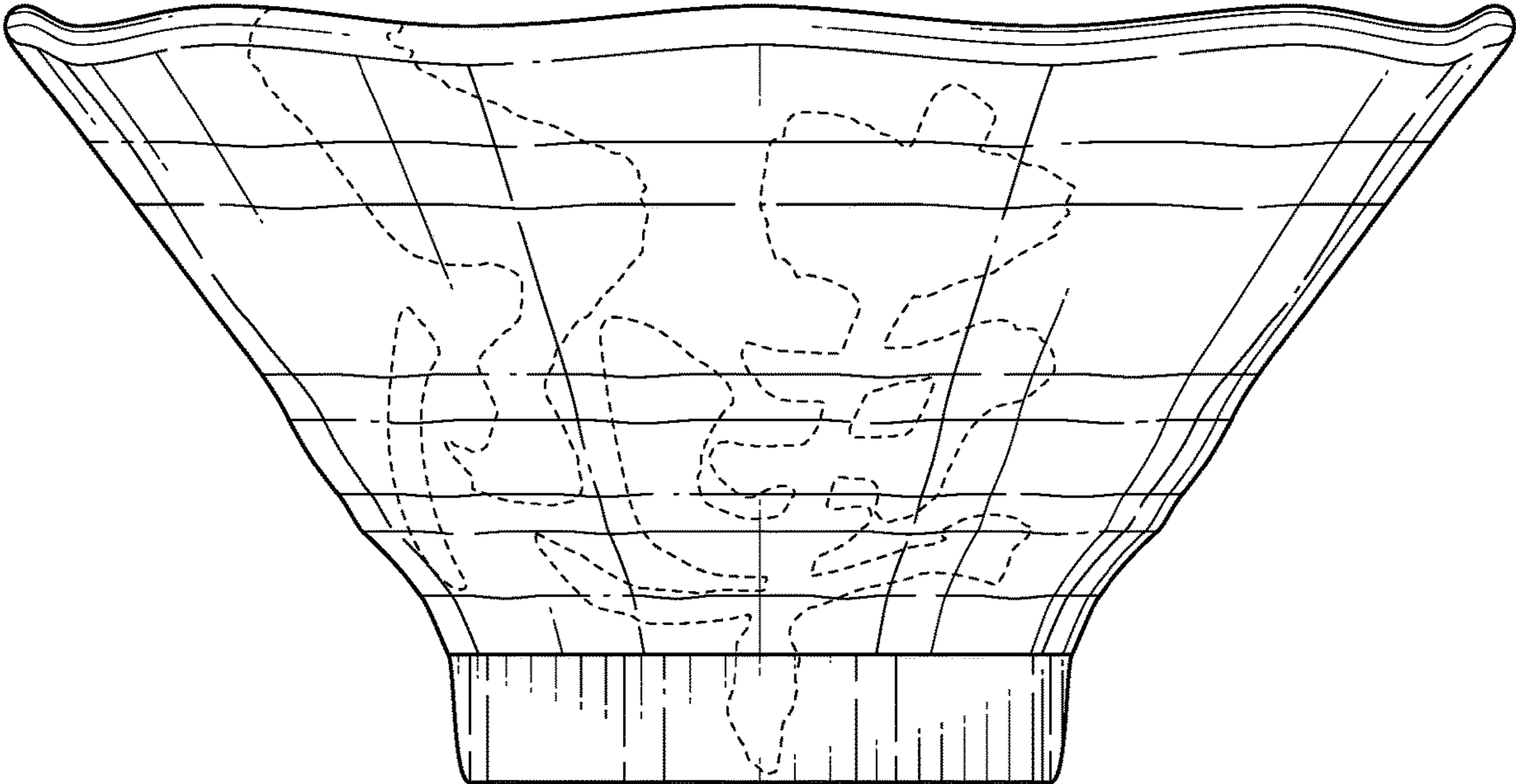


FIG. 2

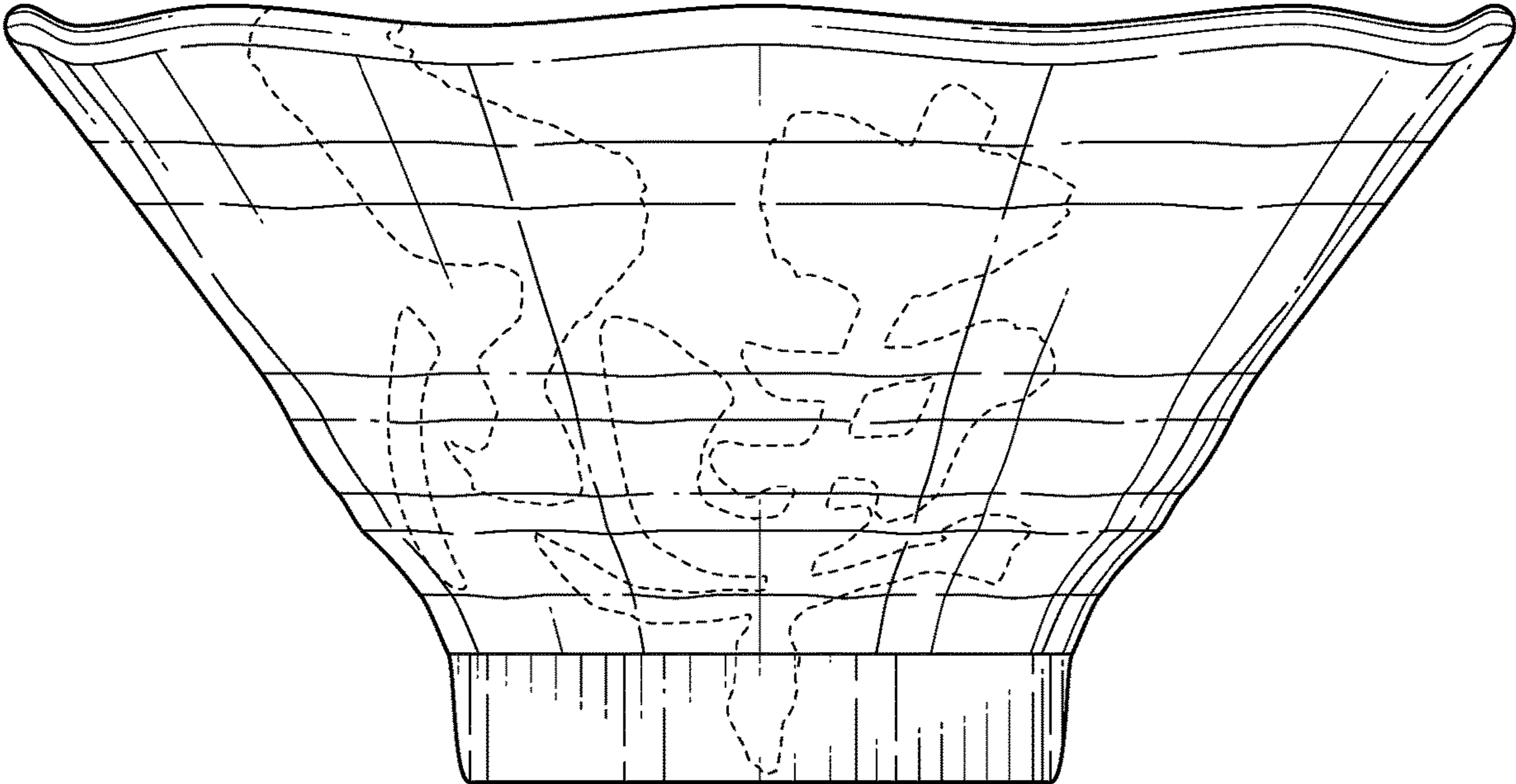


FIG. 3

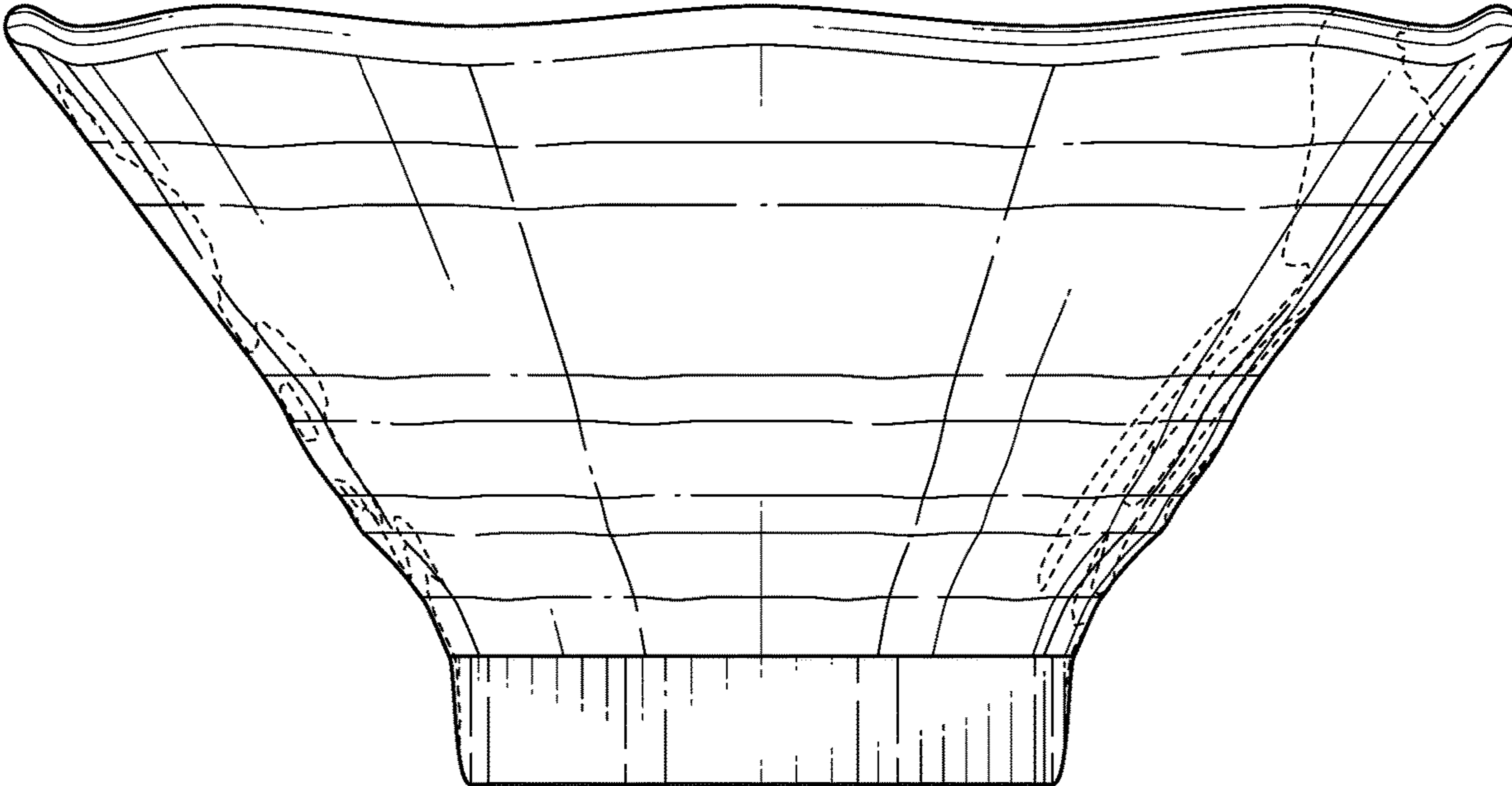


FIG. 4

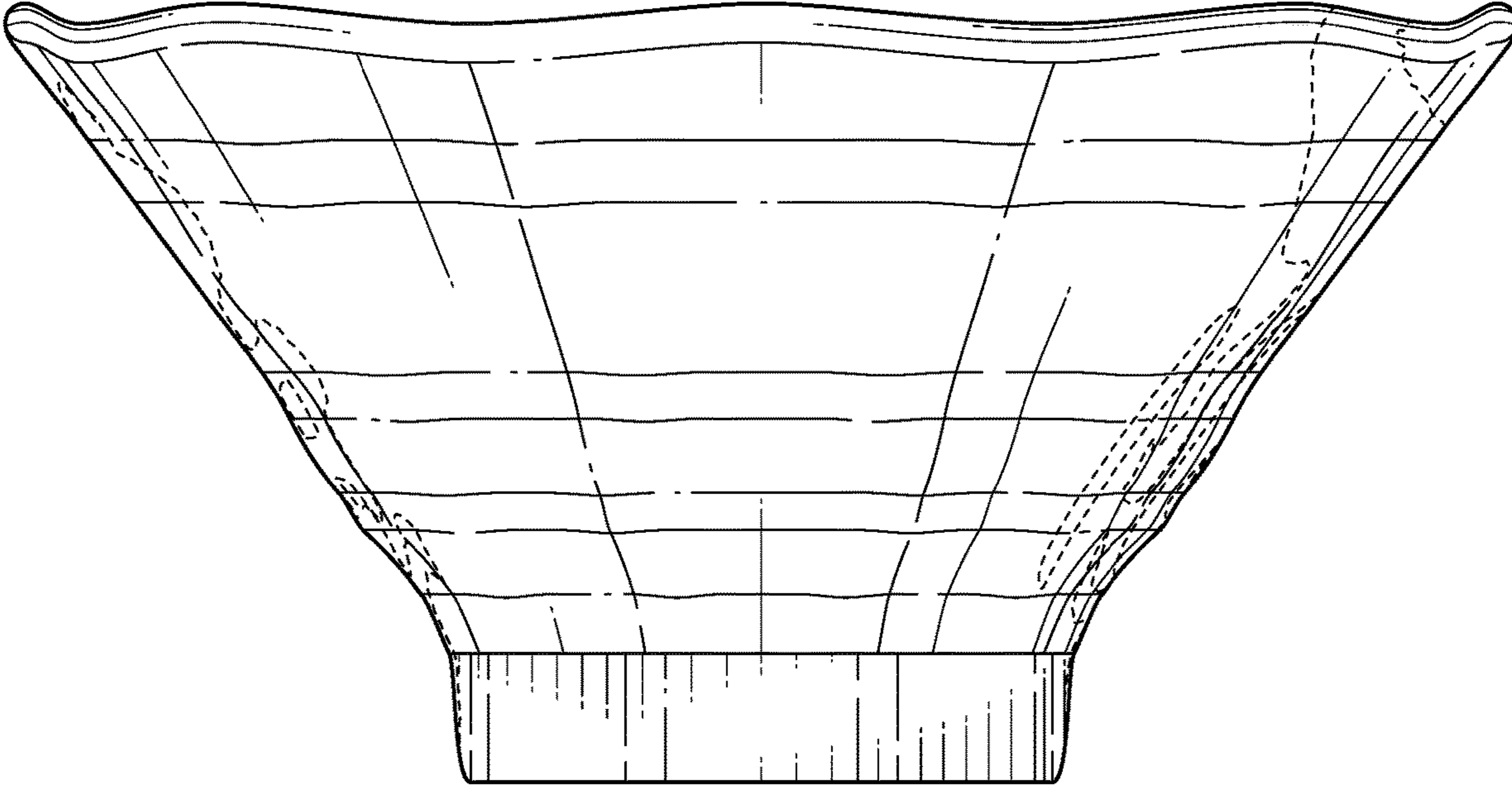


FIG. 5

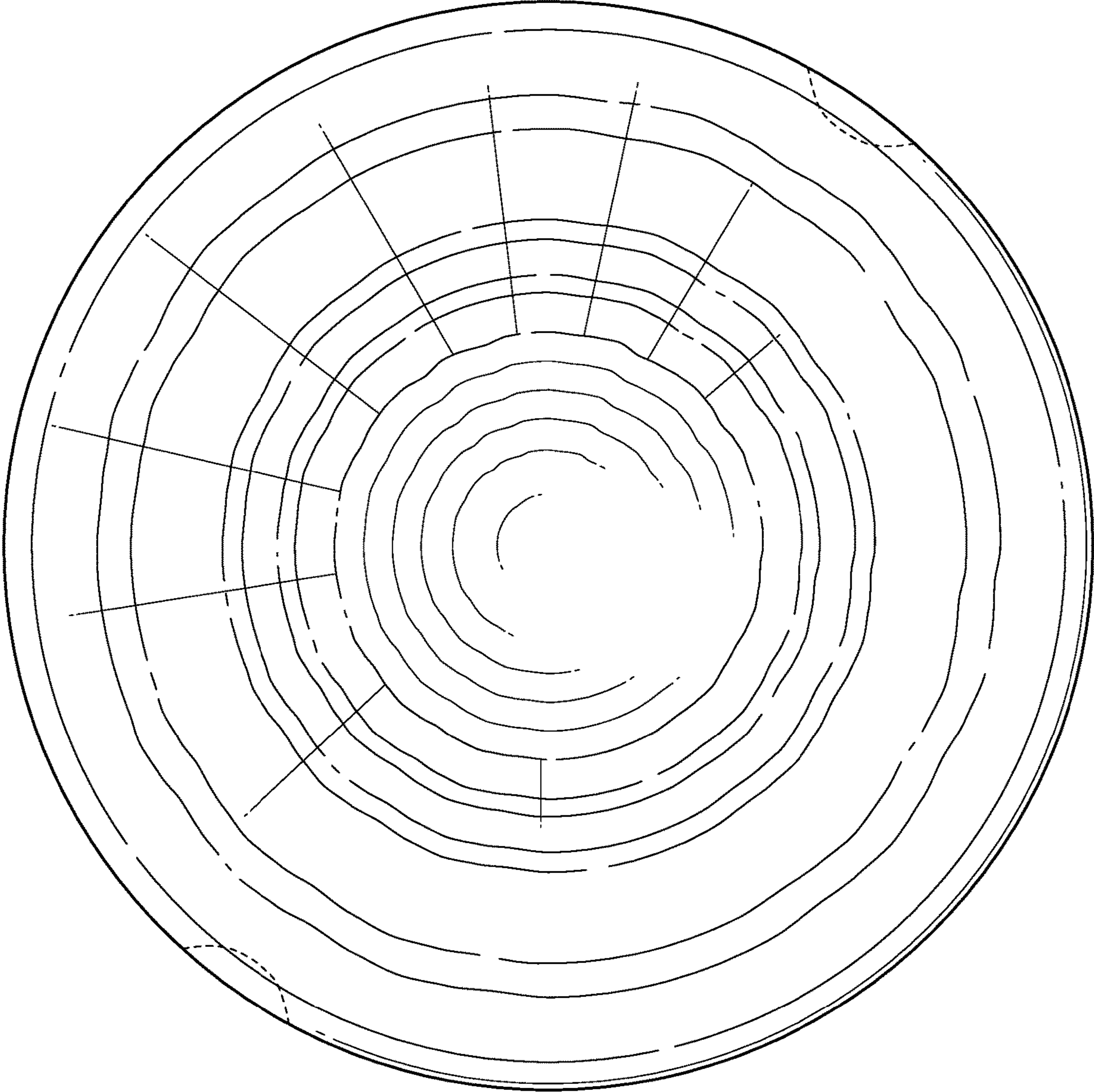


FIG. 6

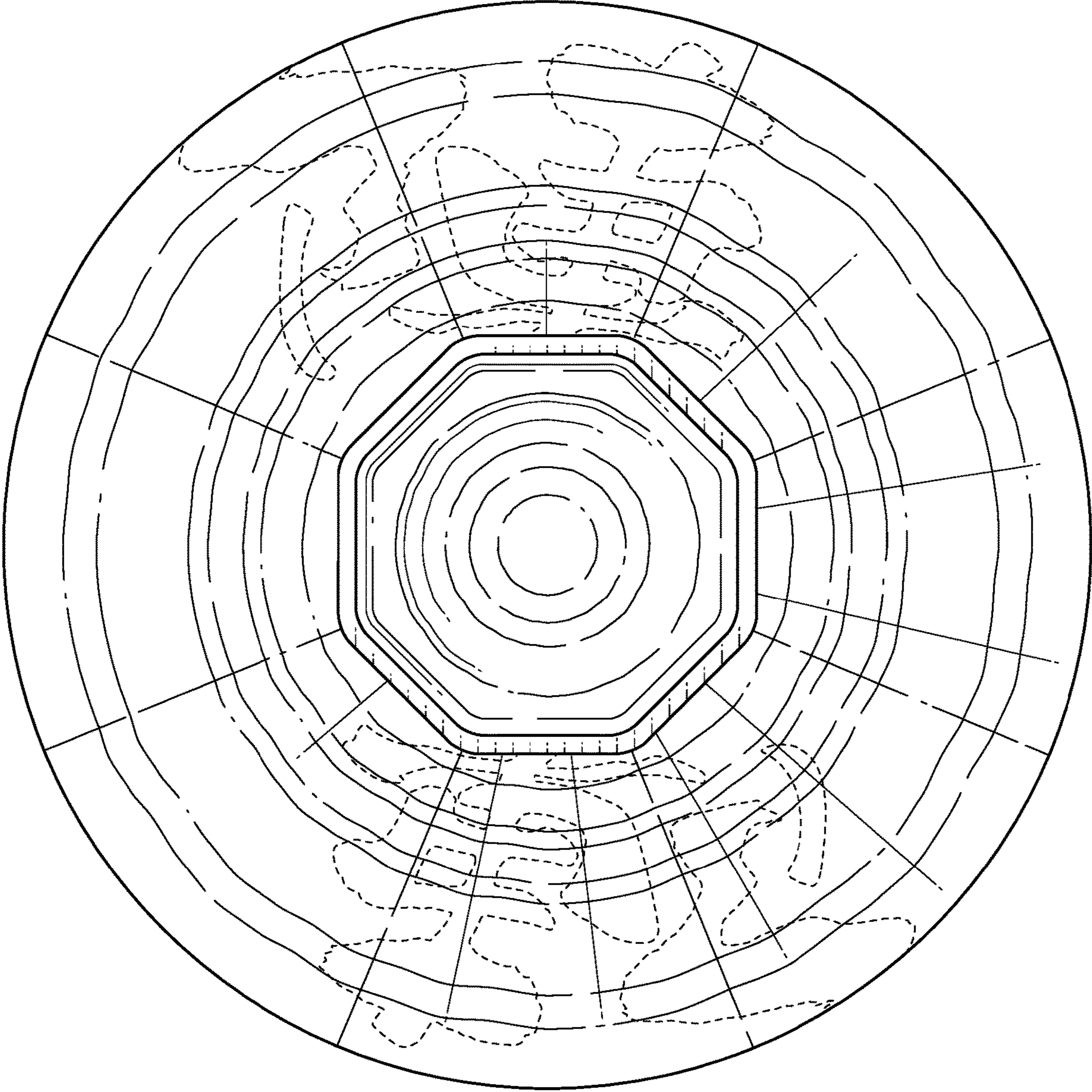


FIG. 7