



US00D902660S

(12) **United States Design Patent** (10) **Patent No.:** **US D902,660 S**
Li (45) **Date of Patent:** **** Nov. 24, 2020**

(54) **COCKTAIL TRAY**
(71) Applicant: **Zongjian Li**, Chengdu (CN)
(72) Inventor: **Zongjian Li**, Chengdu (CN)
(**) Term: **15 Years**
(21) Appl. No.: **29/746,691**
(22) Filed: **Aug. 17, 2020**
(51) **LOC (12) Cl.** **07-01**
(52) **U.S. Cl.**
USPC **D7/553.2**
(58) **Field of Classification Search**
USPC D6/672, 678, 678.2, 682, 682.1, 682.2,
D6/682.3, 683.4; D3/304–305, 313–316;
D7/550.1, 552.1, 552.2, 553.1, 553.2
CPC . A47B 73/00; A47B 81/00; A47F 7/28; A47F
7/283; A47G 23/0625; A47G 23/06;
A47G 23/0608
See application file for complete search history.

6,283,566 B1 * 9/2001 Doces A47B 81/04
211/71.01
D505,841 S * 6/2005 Fiedeler D6/525
D515,941 S * 2/2006 Hamblin D24/230
D592,401 S * 5/2009 Beavers D3/304
D601,343 S * 10/2009 Franczyk D3/313
D634,541 S * 3/2011 Gutierrez D3/313
D647,667 S * 10/2011 Siklosi D30/133
D699,085 S * 2/2014 Reid, Jr. D7/701
D796,277 S * 9/2017 Stiffel D7/701
D807,129 S * 1/2018 Martinez D7/701
D828,768 S * 9/2018 Lebeau D9/737
D857,430 S * 8/2019 Ravid D6/682.2
D871,924 S * 1/2020 Vanderwell D9/755
D879,518 S * 3/2020 Shalit D6/682.2
D883,046 S * 5/2020 Chen
D894,841 S * 9/2020 Mickler D13/146

* cited by examiner

Primary Examiner — Kelley A Donnelly

(57) **CLAIM**

The ornamental design for a cocktail tray, as shown and described.

(56) **References Cited**

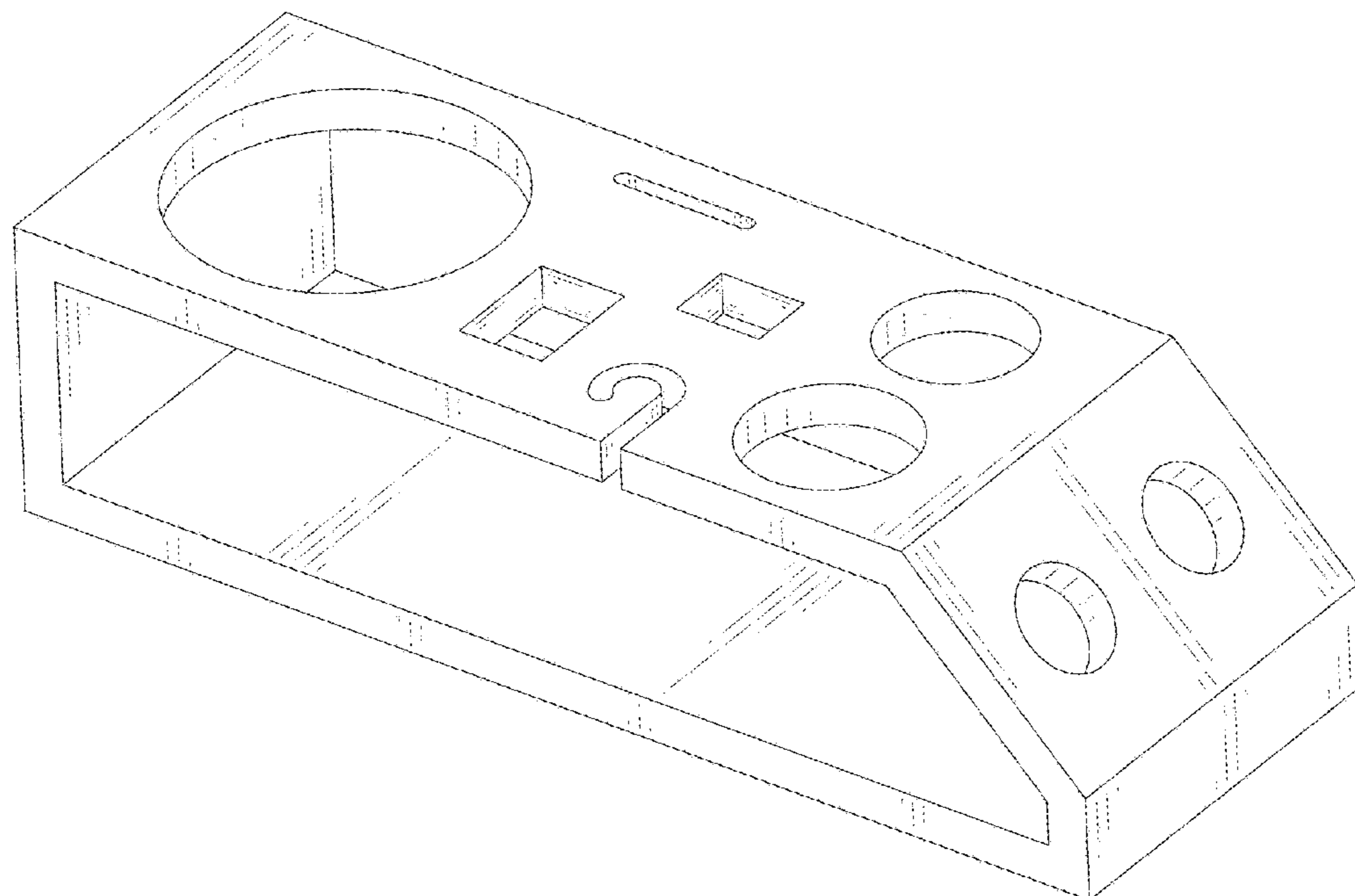
U.S. PATENT DOCUMENTS

2,107,744 A * 2/1938 Solomon A47G 23/0641
294/143
3,840,171 A * 10/1974 Waters B65D 71/72
206/562
D289,974 S * 5/1987 Hamilton D9/418
4,973,018 A * 11/1990 Agor A47K 1/09
211/75
5,114,680 A * 5/1992 Obermiller B01L 9/06
211/74
D381,515 S * 7/1997 Haynes D24/224
5,915,561 A * 6/1999 Lorenzana A47G 23/0608
206/562
D438,029 S * 2/2001 Brey D6/406.3

DESCRIPTION

FIG. 1 is a perspective view of a cocktail tray showing my new design;
FIG. 2 is another perspective view thereof;
FIG. 3 is a front elevational view thereof;
FIG. 4 is a rear elevational view thereof;
FIG. 5 is a left side elevational view thereof;
FIG. 6 is a right side elevational view thereof;
FIG. 7 is a top plan view thereof; and,
FIG. 8 is a bottom plan view thereof.

1 Claim, 8 Drawing Sheets



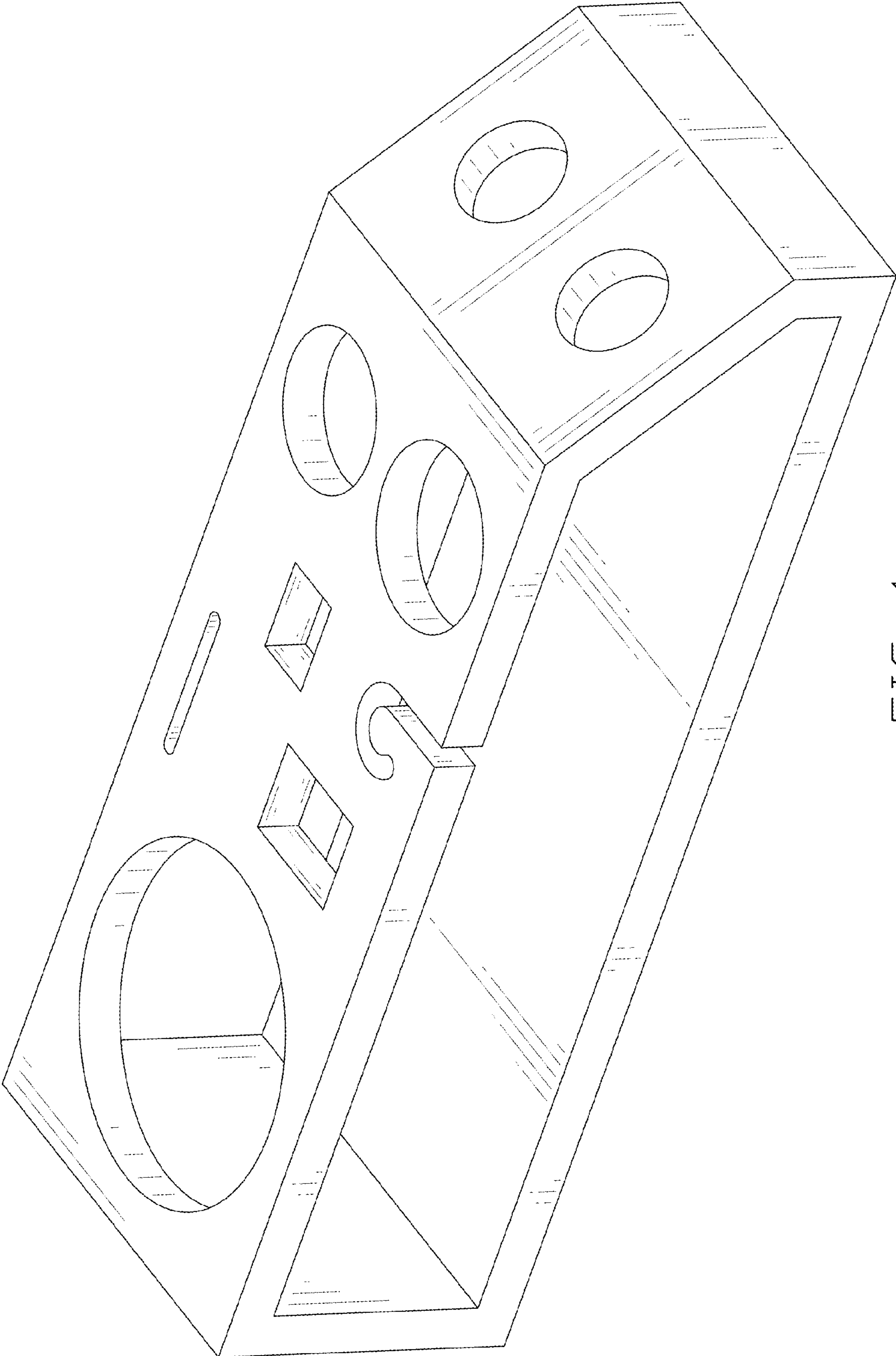


FIG. 1

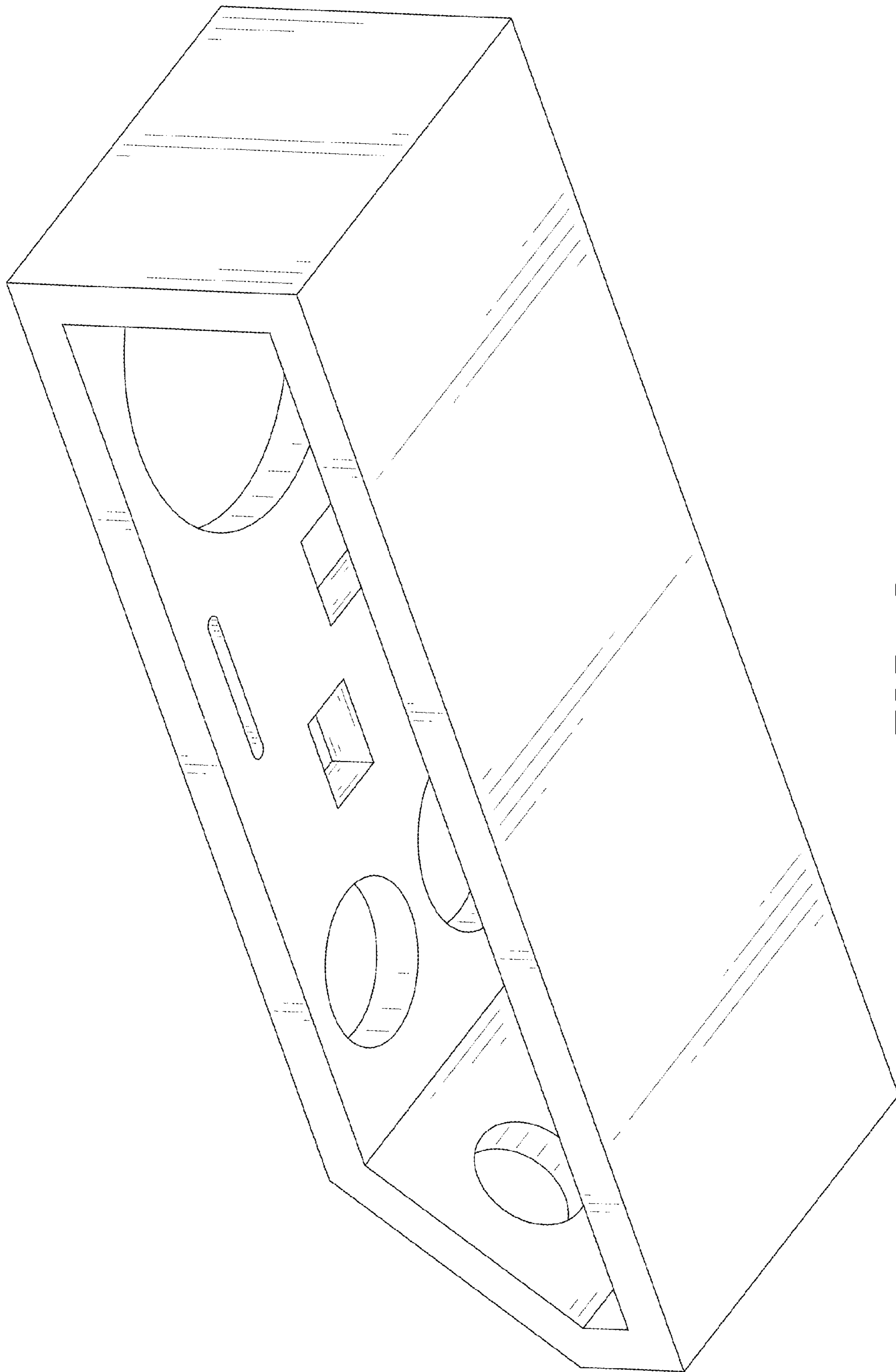


FIG. 2

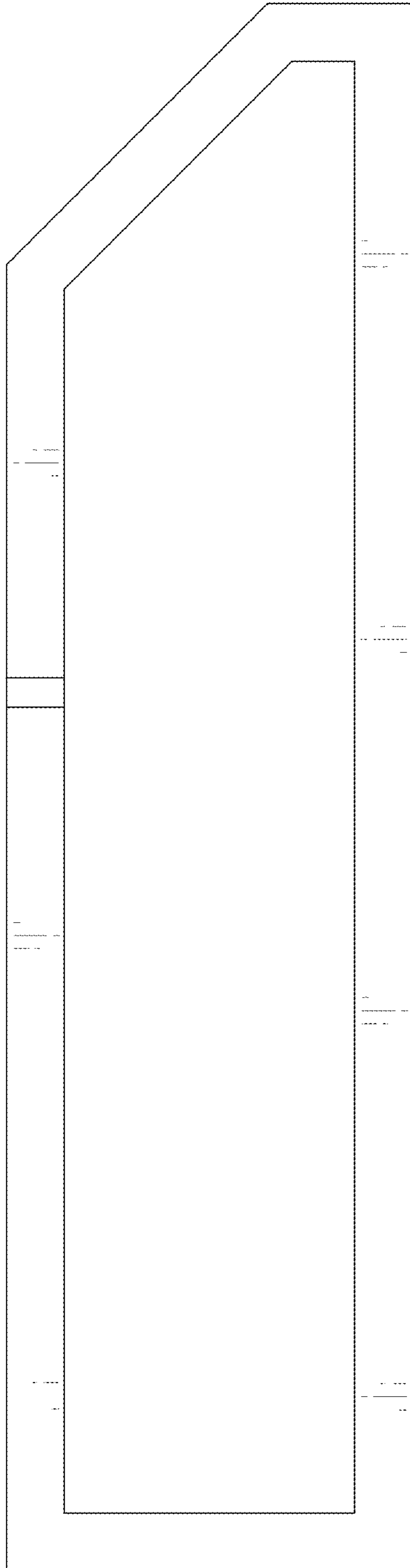


FIG. 3

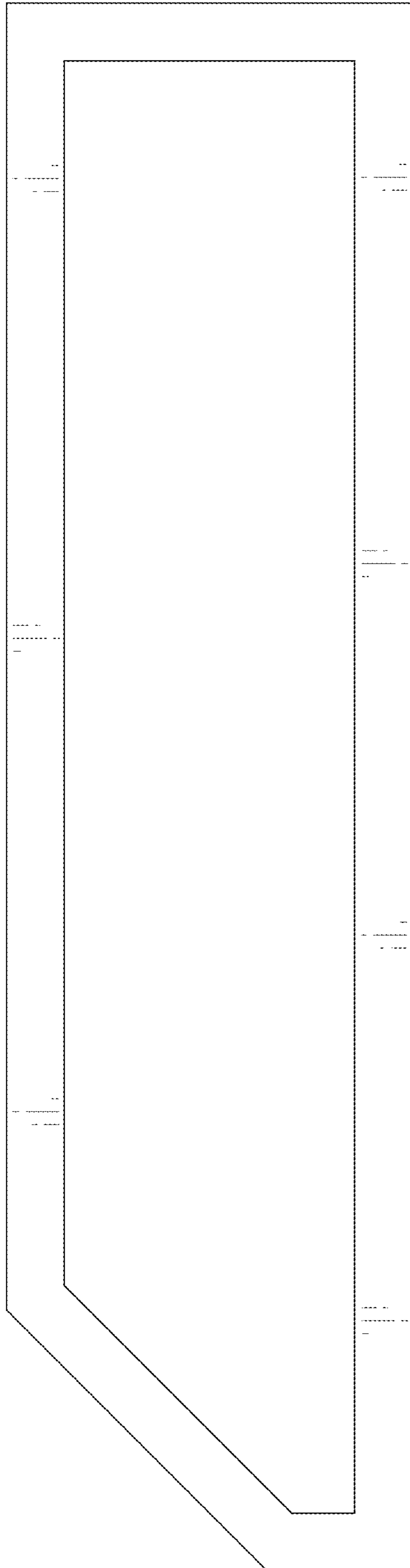


FIG. 4

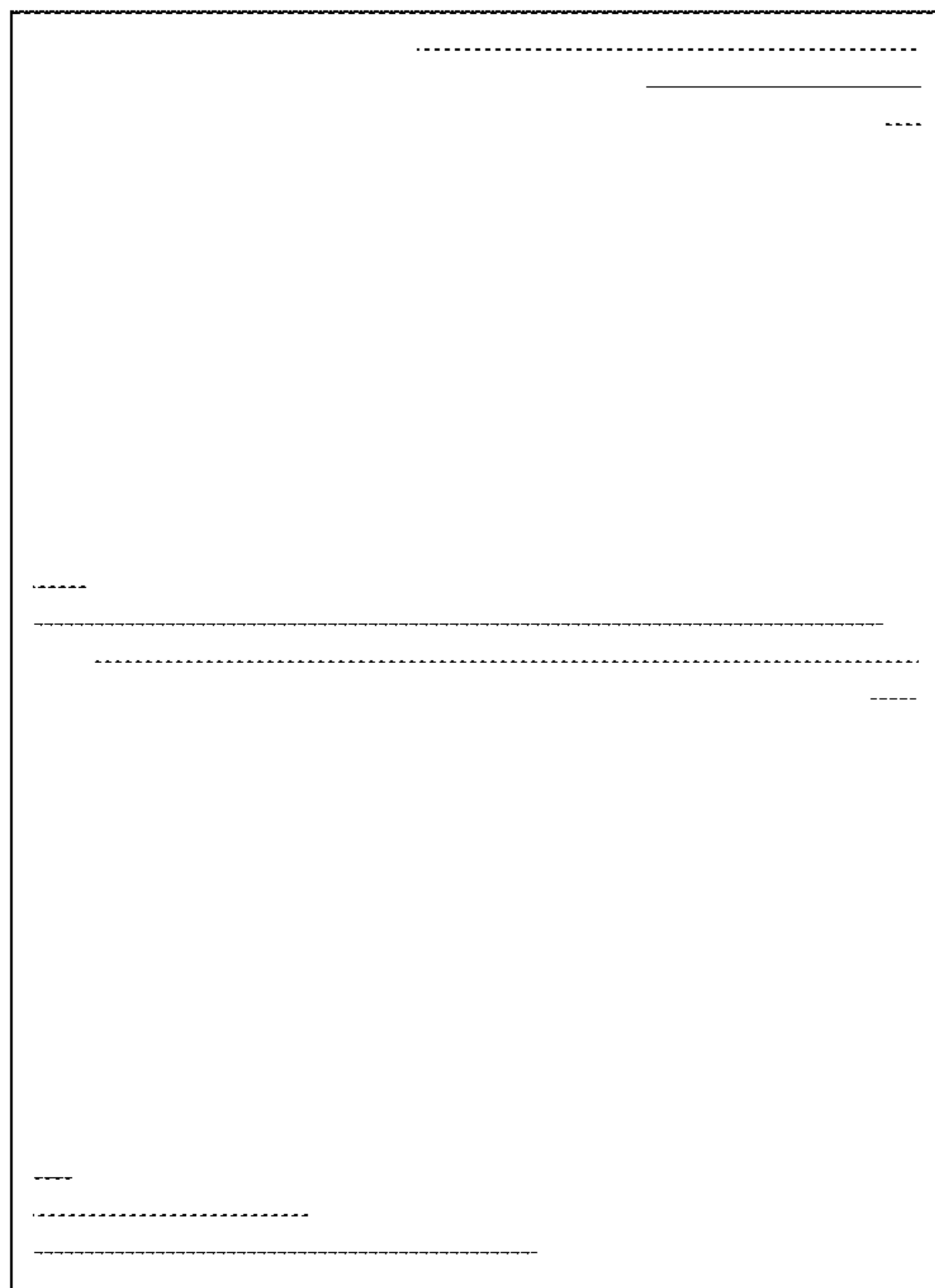


FIG. 5

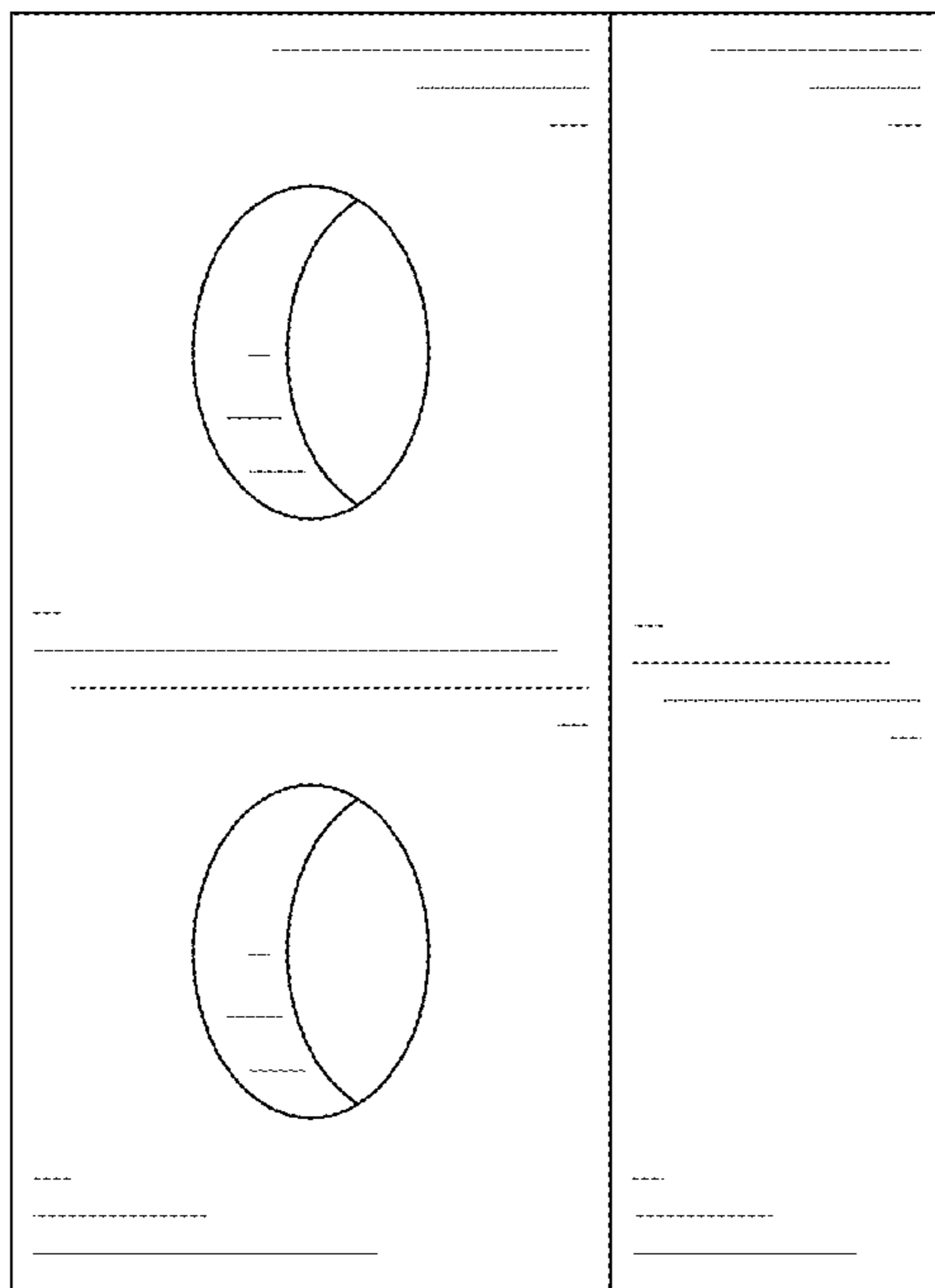


FIG. 6

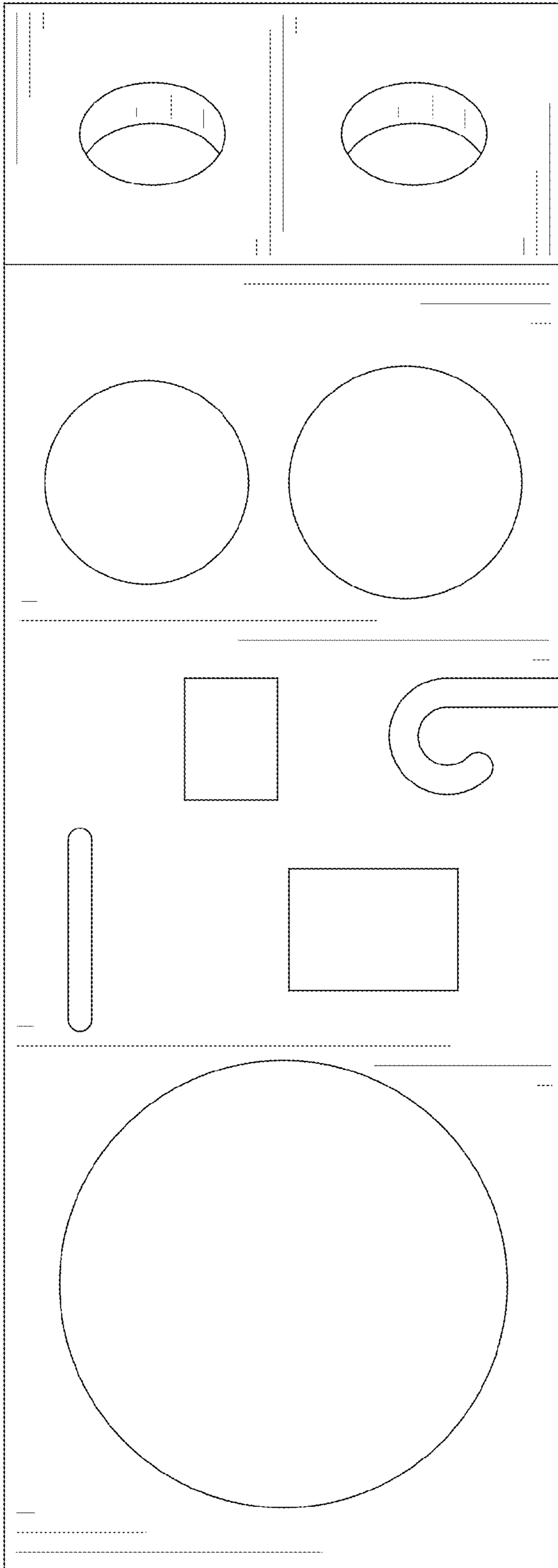


FIG. 7



FIG. 8