



US00D902659S

(12) **United States Design Patent**
Manos

(10) **Patent No.:** **US D902,659 S**

(45) **Date of Patent:** **** *Nov. 24, 2020**

(54) **PLATE**

(71) Applicant: **Gregory C. Manos**, Riverside, CA
(US)

(72) Inventor: **Gregory C. Manos**, Riverside, CA
(US)

(*) Notice: This patent is subject to a terminal disclaimer.

(**) Term: **15 Years**

(21) Appl. No.: **29/645,184**

(22) Filed: **Apr. 24, 2018**

(51) **LOC (12) Cl.** **07-01**

(52) **U.S. Cl.**
USPC **D7/553.1**

(58) **Field of Classification Search**
USPC D7/396.4, 501, 505, 571, 541-543, 545,
D7/546, 549, 552.1, 553, 553.1, 553.5,
D7/553.6, 554.2, 553.8, 555, 566, 500,
D7/550.1, 554.3; D9/424, 716, 719,
D9/738-740, 744-745, 759-760, 761
CPC . B65D 1/34; B65D 1/36; B65D 21/00; B65D
21/0209; B65D 21/0204; A47G 19/02;
A47G 19/06; A47J 19/06; B25H 3/06
See application file for complete search history.

(56) **References Cited**

U.S. PATENT DOCUMENTS

4,516,685 A	5/1985	French	
D291,957 S *	9/1987	Stevens	D7/505
D298,296 S *	11/1988	Washburn	D7/553.6
D305,192 S *	12/1989	van Erkel	A47G 19/06 D7/555
D336,217 S	6/1993	Picozza	
D336,407 S	6/1993	Harding	
D366,187 S *	1/1996	Van Den Kieboom	D7/553.1
D376,297 S *	12/1996	Jacobson	D7/549

D393,181 S	4/1998	Panta	
D395,983 S *	7/1998	Panta Chica	D7/549
D398,480 S	9/1998	Panta Chica	
D404,218 S *	1/1999	Sussman	D6/406.5
D410,820 S *	6/1999	Lofrano	D7/507
6,264,026 B1 *	7/2001	Bradley	A47G 19/065 206/217
D469,310 S	1/2003	Burkowski	
D481,260 S *	10/2003	Bulcher	D7/553.1
D496,828 S *	10/2004	Lackey	D7/553.5
D508,373 S *	8/2005	Corrieri	D7/553.6
D572,536 S	7/2008	Cox	
D573,407 S	7/2008	Cox	
D591,560 S *	5/2009	Lackey	D12/419
D652,323 S *	1/2012	Clark	D9/425
D654,764 S	2/2012	Murphy	
D664,398 S *	7/2012	Zemel	D7/553.1

(Continued)

OTHER PUBLICATIONS

U.S. Appl. No. 29/640,320, filed Mar. 2018, Manos, Gregory.
(Continued)

Primary Examiner — Kelley A Donnelly
(74) *Attorney, Agent, or Firm* — John J. Connors;
Connors & Assoc.

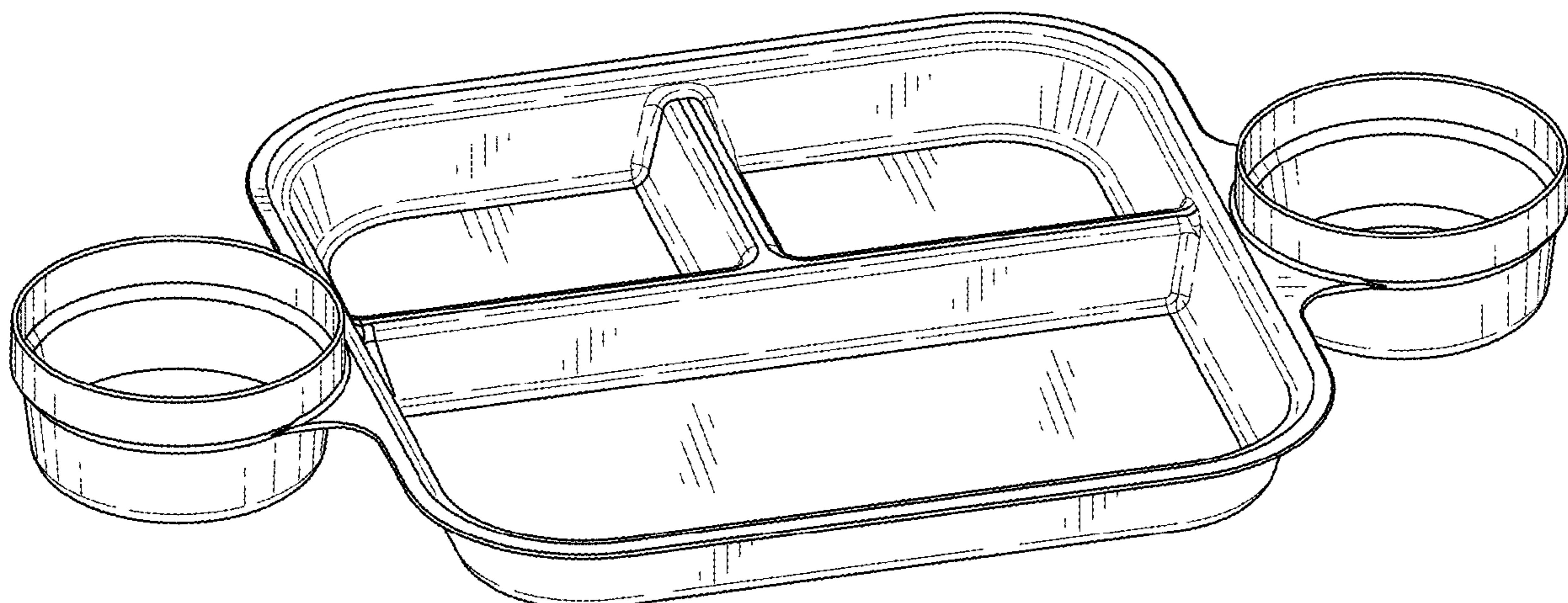
(57) **CLAIM**

The ornamental design for a plate, as shown and described.

DESCRIPTION

FIG. 1 is a perspective view of the plate according to my design;
FIG. 2 is a top plan view thereof;
FIG. 3 is a front elevation view thereof;
FIG. 4 is a bottom plan view thereof; and,
FIG. 5 is a right side elevation view thereof;
FIG. 6 is a left side elevation view thereof; and,
FIG. 7 is a back elevation view thereof.

1 Claim, 2 Drawing Sheets



(56)

References Cited

U.S. PATENT DOCUMENTS

D697,095 S * 1/2014 Chan D15/90
D706,583 S 6/2014 Clark
D710,123 S * 8/2014 Wright D6/406.3
D729,588 S 5/2015 Breton
D732,344 S 6/2015 Clark
D735,531 S * 8/2015 Wilson D7/505
D750,976 S * 3/2016 Tilahun D9/737
D786,621 S 5/2017 Davis
D791,544 S 7/2017 Dennis
D793,812 S 8/2017 Dennis
D809,232 S 1/2018 Wu
D822,506 S * 7/2018 Tilahun D9/761
D836,991 S * 1/2019 Wansink D7/553.5
D837,607 S * 1/2019 Dwork D7/584
D844,375 S * 4/2019 Hundley D7/391

OTHER PUBLICATIONS

U.S. Appl. No. 62/640,564, filed Mar. 2018, Manos, Gregory.
U.S. Appl. No. 29/646,518, filed May 2018, Manos, Gregory.
U.S. Appl. No. 16/154,140, filed Oct. 2018, Manos, Gregory.

* cited by examiner

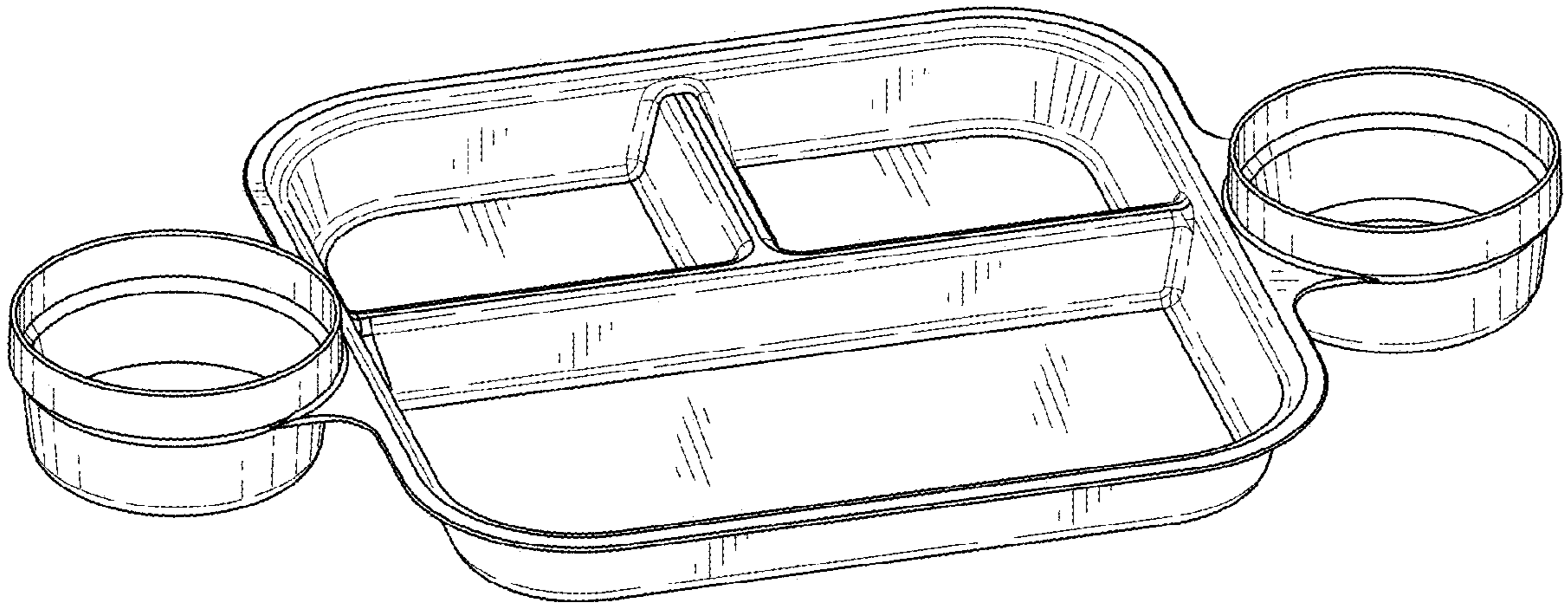


Fig. 1

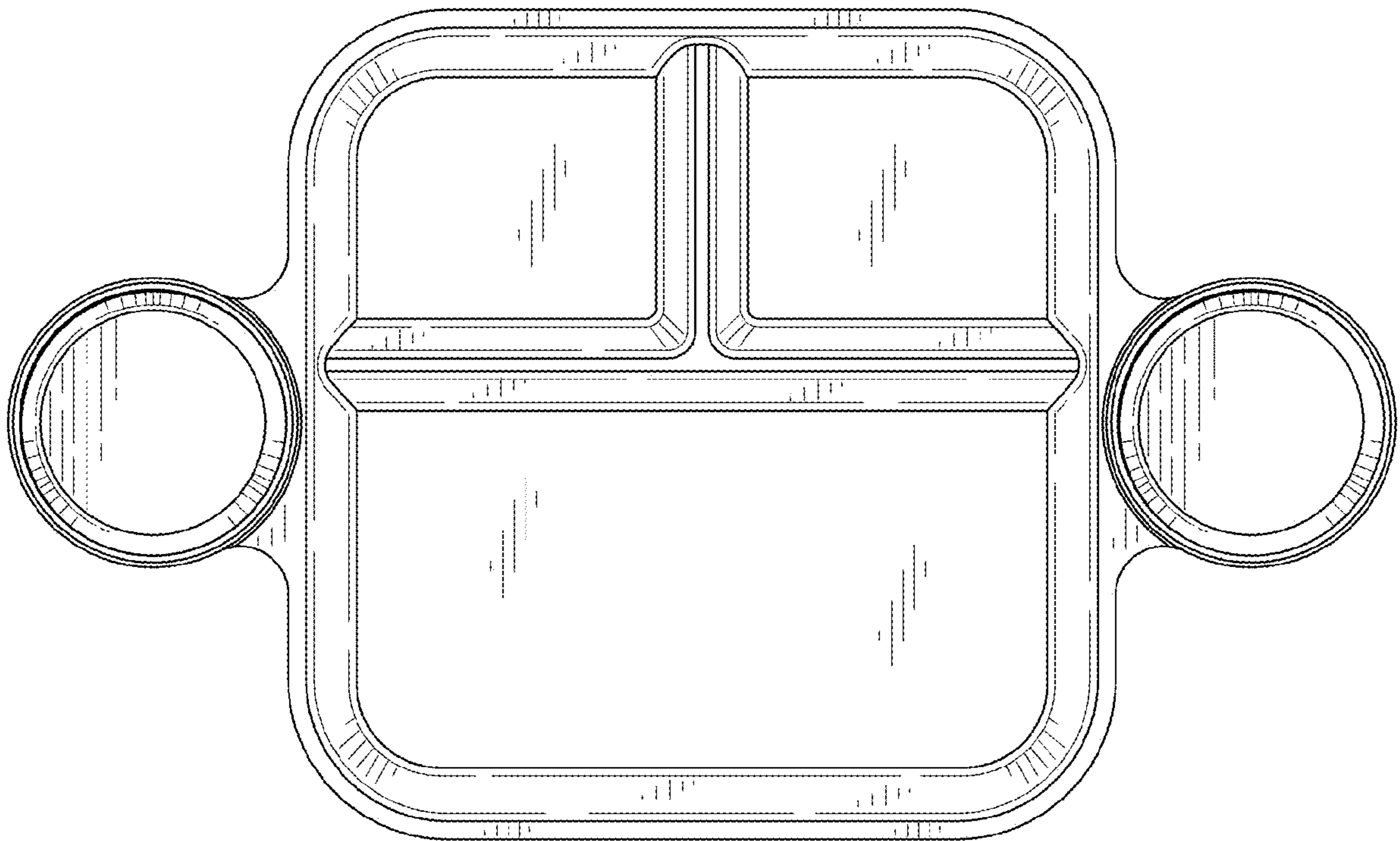


Fig. 2

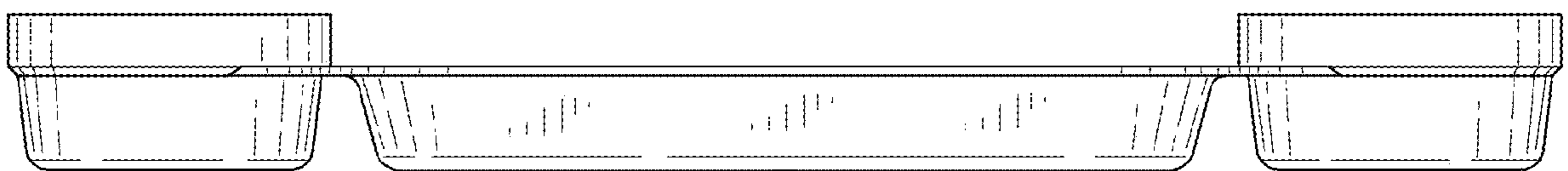


Fig. 3

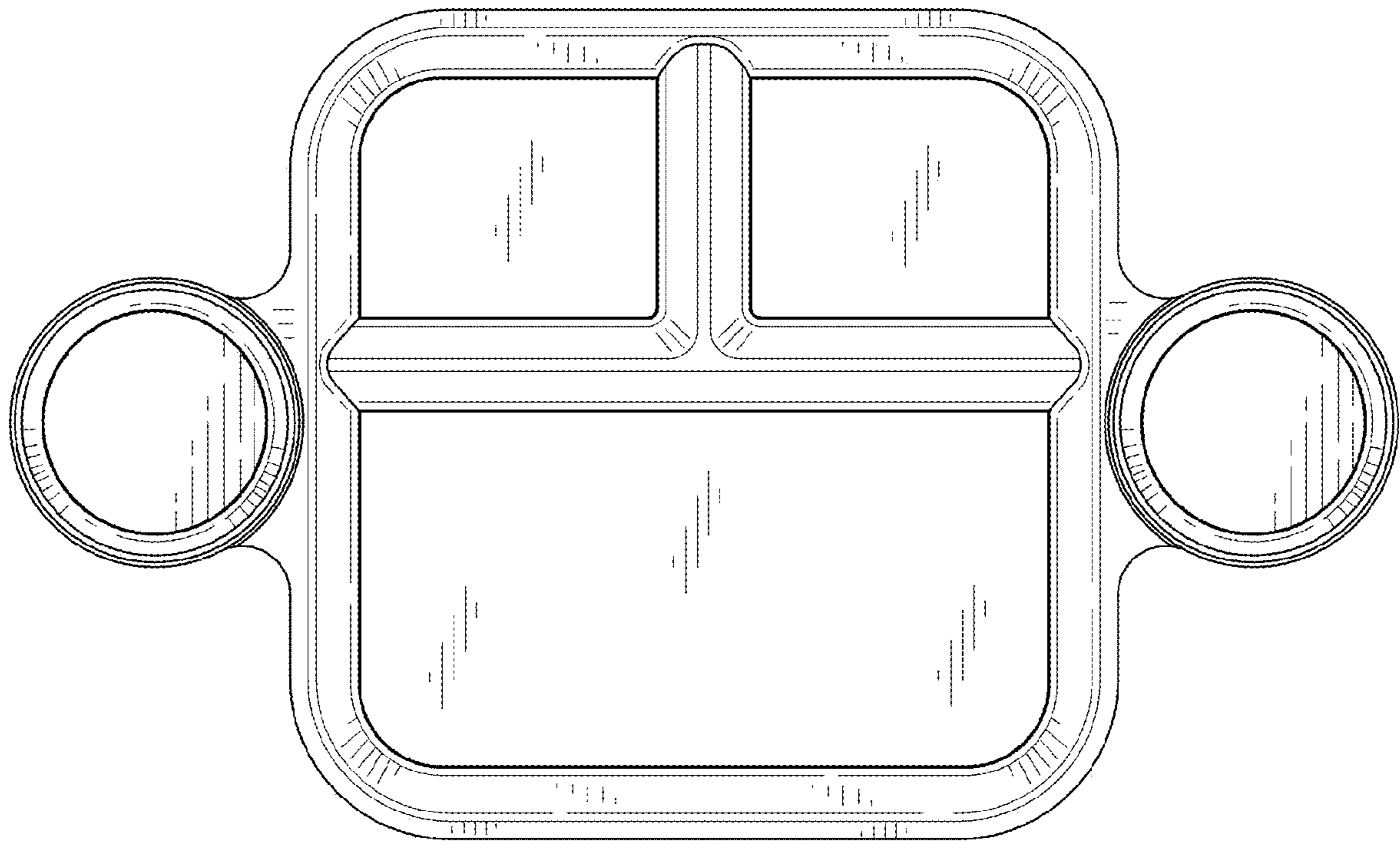


Fig. 4

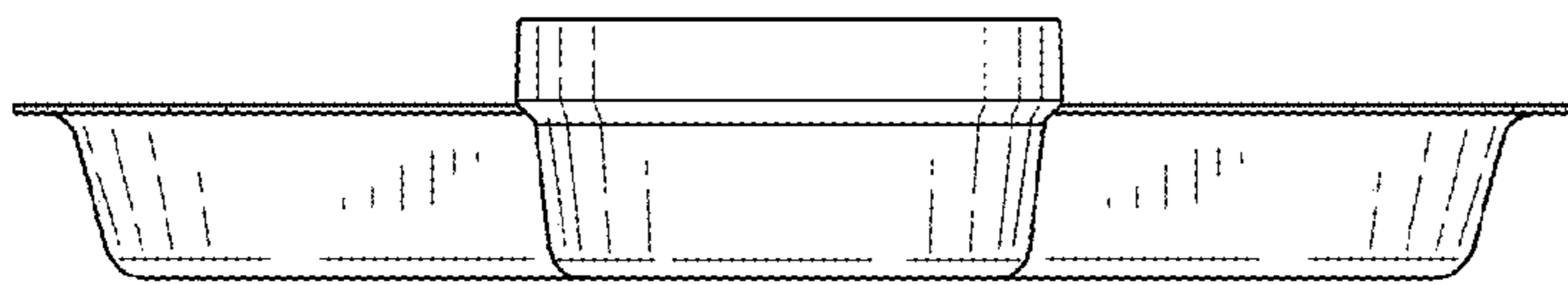


Fig. 5

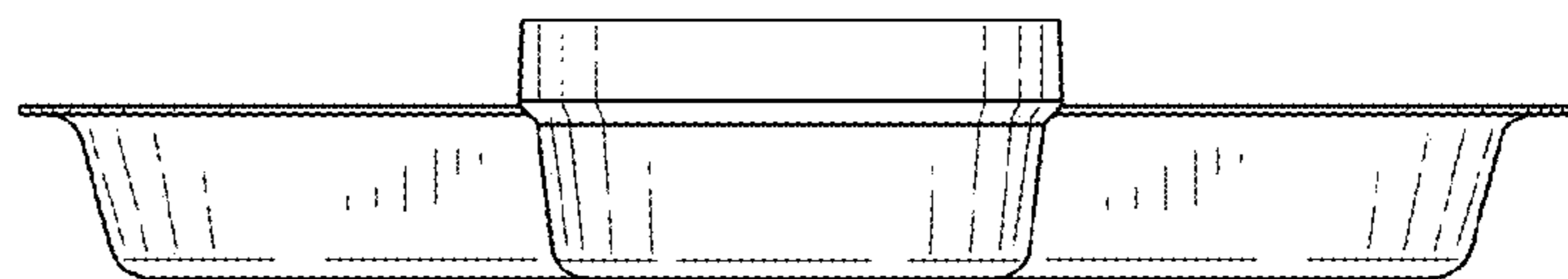


Fig. 6

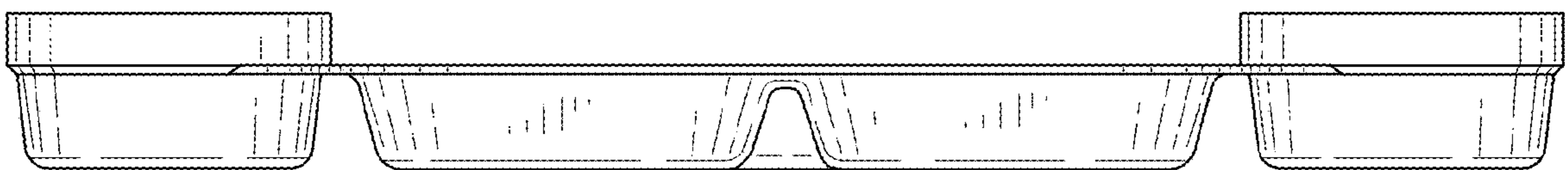


Fig. 7