



US00D902657S

(12) **United States Design Patent** (10) **Patent No.:** **US D902,657 S**
Bohman et al. (45) **Date of Patent:** **** *Nov. 24, 2020**

(54) **BEVERAGE CONTAINER**

(71) Applicant: **OTTER PRODUCTS, LLC**, Fort Collins, CO (US)

(72) Inventors: **David J. Bohman**, Fort Collins, CO (US); **Alan V. Morine**, Fort Collins, CO (US)

(73) Assignee: **Otter Products, LLC**, Fort Collins, CO (US)

(*) Notice: This patent is subject to a terminal disclaimer.

(**) Term: **15 Years**

(21) Appl. No.: **29/663,599**

(22) Filed: **Sep. 17, 2018**

(51) **LOC (12) Cl.** **07-01**

(52) **U.S. Cl.**
USPC **D7/523; D7/531; D7/532**

(58) **Field of Classification Search**
USPC D7/505, 507, 509, 510, 511, 523, 530, D7/531, 532, 300.1, 512, 513, 396.1, D7/396.2, 552.2, 553.6, 584, 672, 554.3, D7/557, 560, 562, 635; 220/592.16, 220/592.17; D9/453, 570, 557, 556, 569; D10/46.2
CPC A47G 19/22; A47G 19/2205; A47G 19/2266; A47G 19/2227; B65D 1/265; B65D 3/06; A45F 3/20
See application file for complete search history.

4,518,639 A * 5/1985 Phillips B65D 77/22 206/579

D282,234 S 1/1986 Henderson

D282,897 S * 3/1986 Conti D22/126

D287,919 S 1/1987 Clements

D298,731 S 11/1988 Cook

4,877,141 A 10/1989 Hayashi et al.

D321,628 S 11/1991 Kobayashi et al.

D339,291 S 9/1993 Leigner

5,249,703 A 10/1993 Karp

(Continued)

FOREIGN PATENT DOCUMENTS

EP 2555658 A1 2/2013

OTHER PUBLICATIONS

US D775,903 S, 01/2017, Seiders et al. (withdrawn)
(Continued)

Primary Examiner — Jae Liang

(57) **CLAIM**

The ornamental design for a beverage container, as shown and described.

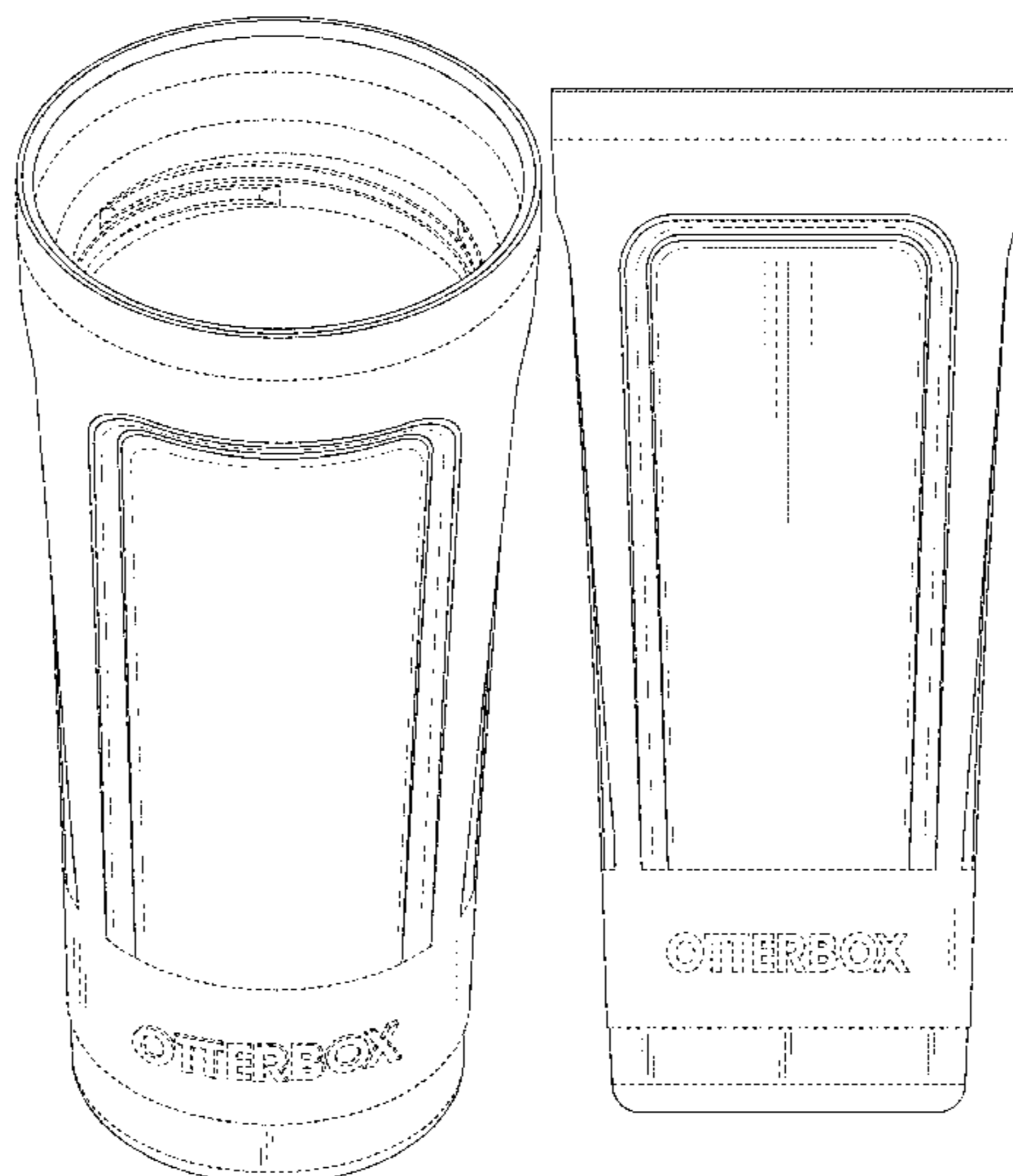
DESCRIPTION

FIG. 1 is a front, top perspective view of a beverage container showing our new design;
FIG. 2 is a rear, bottom perspective view thereof;
FIG. 3 is a front view thereof;
FIG. 4 is a rear view thereof;
FIG. 5 is a left view thereof;
FIG. 6 is a right view thereof;
FIG. 7 is a top view thereof; and,
FIG. 8 is a bottom view thereof.
The dash-dash broken lines throughout the drawing figures depict portions of the beverage container that form no part of the claimed design. The broken lines and unshaded surfaces bounded by broken lines form no part of the claimed design.

1 Claim, 7 Drawing Sheets

(56) **References Cited**
U.S. PATENT DOCUMENTS

D103,721 S 3/1937 Fuerst
2,608,841 A 9/1952 Rice
2,754,866 A 7/1956 Coltman
2,957,596 A 10/1960 Rehborg
3,312,366 A 4/1967 Harry



(56)

References Cited

U.S. PATENT DOCUMENTS

D346,718 S	5/1994	Timmermans	8,251,247 B1	8/2012	Breckner	
D355,119 S	2/1995	Zimmermann et al.	8,313,644 B2	11/2012	Harris et al.	
D371,304 S	7/1996	Onneweer	D672,618 S *	12/2012	Stamper	D7/602
D375,019 S	10/1996	Goto et al.	D672,648 S	12/2012	Goto et al.	
5,570,797 A	11/1996	Yeh	D675,059 S	1/2013	Carreno	
D385,956 S	11/1997	Doughty et al.	D682,034 S	5/2013	El-Saden et al.	
D390,462 S	2/1998	Mao	8,469,226 B2	6/2013	Davies et al.	
5,909,821 A	6/1999	Guridi	D686,871 S	7/2013	Lane	
D411,954 S	7/1999	Williamson	D690,556 S	10/2013	Boroski	
D415,651 S	10/1999	Trombly	D690,988 S	10/2013	Audette	
6,059,140 A	5/2000	Hicks	8,602,238 B2	12/2013	El-Saden et al.	
D429,118 S	8/2000	Hurlbut	D697,798 S *	1/2014	Sorensen	D9/429
D441,288 S	5/2001	Pillers et al.	8,622,237 B2	1/2014	Choi et al.	
D450,583 S	11/2001	Freed	D699,996 S *	2/2014	De Leo	D7/300.1
D450,982 S	11/2001	Gaze et al.	D700,012 S	2/2014	Hurley et al.	
D452,445 S	12/2001	Silvers et al.	D700,802 S	3/2014	Miller	
6,324,966 B1	12/2001	Joergensen	D702,092 S	4/2014	Mettler et al.	
D453,472 S	2/2002	Kwong	8,695,830 B2	4/2014	Meyers et al.	
D455,052 S	4/2002	Gullickson et al.	D707,124 S	6/2014	Blain et al.	
D455,612 S	4/2002	Gullickson et al.	8,777,048 B2	7/2014	Choi et al.	
6,422,133 B1	7/2002	Brady	D712,254 S	9/2014	Geis et al.	
D476,859 S	7/2003	Short	D712,720 S	9/2014	Seiders	
D479,800 S	9/2003	McRae	D712,721 S	9/2014	Seiders	
6,626,326 B2	9/2003	Murakami	D712,722 S	9/2014	Seiders	
D482,607 S	11/2003	McRae	D712,723 S	9/2014	Seiders	
D488,960 S	4/2004	Wahl et al.	D714,125 S	9/2014	Seiders	
6,763,964 B1	7/2004	Hurlbut et al.	8,844,762 B2	9/2014	Chiou et al.	
6,797,304 B2	9/2004	McGonagle	D714,584 S	10/2014	Boroski	
D505,294 S	5/2005	Gauss	D716,657 S	11/2014	Caneer	
7,011,227 B2	3/2006	Ward et al.	D719,827 S	12/2014	Duran et al.	
D519,835 S	5/2006	Dubs et al.	D720,217 S	12/2014	Oates et al.	
D524,909 S	7/2006	Bakke et al.	8,905,252 B2	12/2014	Latham et al.	
D527,583 S *	9/2006	Freeman	8,910,819 B2	12/2014	Seiders	
D533,032 S	12/2006	Liu et al.	8,939,305 B2	1/2015	Meyers et al.	
D546,178 S	7/2007	McClain	D722,474 S	2/2015	Seiders	
D547,607 S	7/2007	Forsman	D722,475 S	2/2015	Seiders	
D547,610 S	7/2007	Edelstein et al.	D723,918 S	3/2015	Karl et al.	
D548,012 S	8/2007	Tien	D725,966 S	4/2015	Boroski et al.	
D564,841 S	3/2008	Clemens et al.	D727,097 S *	4/2015	Sorensen	D7/505
D570,213 S	6/2008	Newman	D727,457 S	4/2015	Seiders	
D572,981 S	7/2008	Carreno	D729,579 S	5/2015	Molayem	
D574,192 S *	8/2008	Schosser	D731,614 S	6/2015	Seiders	
D582,767 S	12/2008	Batton et al.	D732,339 S *	6/2015	Sorensen	D7/509
D584,569 S *	1/2009	Buchman	D732,348 S	6/2015	Seiders et al.	
D584,925 S *	1/2009	Buchman	D732,349 S	6/2015	Seiders et al.	
D587,533 S	3/2009	Carreno	D732,350 S	6/2015	Seiders et al.	
D592,906 S	5/2009	Allen et al.	D732,392 S	6/2015	Duran et al.	
7,533,783 B2	5/2009	Choi et al.	D732,899 S	6/2015	Seiders et al.	
D597,816 S	8/2009	Thompson	D733,497 S *	7/2015	Sorensen	D7/509
7,578,231 B2	8/2009	Liu	D734,150 S	7/2015	Rigel	
D604,984 S	12/2009	Kalamaras	D736,622 S	8/2015	Nishijima et al.	
D621,257 S	8/2010	Gullickson et al.	9,107,541 B2	8/2015	Bodum	
D622,089 S	8/2010	Daniel et al.	9,113,698 B2	8/2015	Blain et al.	
D623,480 S	9/2010	Moran	D739,174 S	9/2015	Elsaden et al.	
D623,481 S	9/2010	Moran	9,139,352 B2	9/2015	Seiders et al.	
D623,896 S	9/2010	Wahl et al.	D740,605 S	10/2015	Wodka et al.	
D626,837 S	11/2010	Meyers et al.	D742,684 S	11/2015	Hurley et al.	
D628,018 S	11/2010	Gilbert	9,187,232 B2	11/2015	Seiders	
D630,093 S	1/2011	Bardet	D748,942 S	2/2016	Boroski et al.	
D631,284 S	1/2011	Fuller	D751,338 S	3/2016	Seiders et al.	
D632,522 S	2/2011	Wahl et al.	D751,339 S	3/2016	Seiders et al.	
D634,160 S	3/2011	Cetera	D751,340 S	3/2016	Seiders et al.	
D639,177 S *	6/2011	Pape	D751,341 S	3/2016	Seiders et al.	
D644,060 S	8/2011	Komeiji	D752,347 S	3/2016	Seiders et al.	
D644,489 S	9/2011	Trombly	D752,397 S	3/2016	Seiders et al.	
D651,847 S	1/2012	Gilbert	D752,434 S	3/2016	Willows et al.	
D651,852 S	1/2012	George	D752,976 S	4/2016	Koffel et al.	
D653,521 S	2/2012	Wike	D753,482 S *	4/2016	Serrano	D9/428
D656,360 S	3/2012	Miller et al.	D754,483 S	4/2016	Elsaden et al.	
D656,820 S	4/2012	Willows et al.	D754,486 S	4/2016	Ott	
D657,196 S	4/2012	Beyers	D757,496 S	5/2016	Julier et al.	
D658,006 S	4/2012	Yao	9,351,597 B2	5/2016	Liu et al.	
D659,007 S *	5/2012	Pape	D758,127 S *	6/2016	Zhao	D7/392.1
D660,648 S	5/2012	Gilbert	D758,137 S	6/2016	Soltz et al.	
8,191,727 B2	6/2012	Davies et al.	D758,791 S	6/2016	Hanna et al.	
			D758,792 S	6/2016	Karussi	
			D758,859 S	6/2016	Sorensen et al.	
			D759,485 S	6/2016	Boroski et al.	
			D760,026 S *	6/2016	Smith	D7/413

(56)

References Cited

U.S. PATENT DOCUMENTS

D760,586 S	7/2016	Seiders et al.	D800,501 S *	10/2017	Rummel	D7/509
D761,619 S	7/2016	Seiders et al.	D801,046 S *	10/2017	Bores	D3/273
D761,648 S	7/2016	Karl et al.	D801,111 S	10/2017	Eyal	
D762,117 S	7/2016	Joseph et al.	9,776,777 B2	10/2017	Gorbald	
9,387,961 B2	7/2016	Mithal	9,782,028 B2	10/2017	Davies et al.	
D762,418 S *	8/2016	Sorensen	D801,746 S	11/2017	Thuma et al.	
D763,076 S	8/2016	Lane et al.	D802,419 S	11/2017	Seiders et al.	
D764,787 S	8/2016	Montminy	D802,994 S	11/2017	Seiders et al.	
D766,029 S *	9/2016	Lin	D803,619 S	11/2017	Seiders et al.	
D766,652 S	9/2016	Joseph et al.	D803,632 S	11/2017	Seiders et al.	
D766,668 S	9/2016	Garcia	D803,684 S	11/2017	Seiders et al.	
D767,328 S	9/2016	Boroski et al.	D804,254 S	12/2017	Seiders et al.	
D768,437 S	10/2016	Lane	D804,255 S	12/2017	Seiders et al.	
D769,046 S	10/2016	Beckman et al.	D804,256 S	12/2017	Seiders et al.	
9,456,710 B2	10/2016	Blain et al.	D804,905 S	12/2017	Seiders et al.	
9,462,904 B2	10/2016	Coon et al.	D804,910 S *	12/2017	Steel	D7/531
D770,222 S	11/2016	Boroski et al.	D805,354 S *	12/2017	Bielawski	D7/523
D771,990 S *	11/2016	Horowitz	D805,852 S	12/2017	Seiders et al.	
D772,064 S	11/2016	Boroski et al.	D807,110 S	1/2018	Lown	
D772,651 S	11/2016	Leonard et al.	D807,125 S	1/2018	Seiders et al.	
9,505,527 B1	11/2016	Campbell	D807,126 S	1/2018	Seiders et al.	
D774,359 S	12/2016	Boroski	D808,218 S	1/2018	Seiders et al.	
D774,363 S	12/2016	Seiders et al.	D808,713 S	1/2018	Rane et al.	
D774,837 S	12/2016	Seiders et al.	D809,344 S	2/2018	Guthrie	
9,521,918 B2	12/2016	Coon et al.	D809,924 S	2/2018	Miros	
D775,892 S *	1/2017	Smith	D811,162 S	2/2018	Rane et al.	
D777,508 S	1/2017	Goodwin et al.	D812,432 S	3/2018	Seiders et al.	
D778,725 S	2/2017	Sorensen et al.	D812,970 S	3/2018	Rane et al.	
D779,285 S	2/2017	Seiders et al.	D812,979 S	3/2018	Seiders et al.	
D779,891 S	2/2017	Seiders et al.	D813,593 S	3/2018	Cornu et al.	
D779,892 S	2/2017	Seiders et al.	9,908,687 B2	3/2018	Chiou et al.	
D780,530 S	3/2017	Seiders et al.	D814,852 S	4/2018	Melanson et al.	
D780,531 S	3/2017	Seiders et al.	D814,853 S	4/2018	Melanson et al.	
D780,532 S	3/2017	Seiders et al.	D814,854 S	4/2018	Melanson et al.	
D780,533 S	3/2017	Seiders et al.	D814,928 S	4/2018	Seiders et al.	
D780,577 S	3/2017	Seiders et al.	D816,397 S	5/2018	Karl et al.	
D781,145 S	3/2017	Seiders et al.	D816,493 S	5/2018	Seiders et al.	
D781,146 S	3/2017	Seiders et al.	D817,084 S	5/2018	Hammer	
D781,662 S	3/2017	Seiders et al.	D817,085 S	5/2018	Davis	
D782,881 S	4/2017	Seiders et al.	D817,683 S	5/2018	Melanson et al.	
D783,367 S	4/2017	Seiders et al.	D818,312 S	5/2018	Burns et al.	
D783,368 S	4/2017	Seiders et al.	D819,396 S	6/2018	Seiders et al.	
D784,775 S	4/2017	Seiders et al.	D820,650 S	6/2018	Seiders et al.	
D786,025 S	5/2017	Seiders et al.	D822,428 S	7/2018	Thuma et al.	
D786,072 S	5/2017	Breit et al.	D823,068 S	7/2018	Seiders et al.	
D787,893 S	5/2017	Seiders et al.	D823,069 S	7/2018	Seiders et al.	
D787,894 S	5/2017	Seiders et al.	D824,721 S	8/2018	Hu	
9,637,270 B2	5/2017	Campbell	D825,332 S	8/2018	Miksovsky et al.	
D788,527 S *	6/2017	Smith	D827,363 S	9/2018	Matsui	
D788,544 S	6/2017	Seiders et al.	D828,722 S	9/2018	Davis	
D789,737 S	6/2017	Eyal	D831,414 S	10/2018	Diener et al.	
D790,285 S	6/2017	Seiders et al.	D831,436 S	10/2018	Seiders et al.	
D790,920 S	7/2017	Goodwin et al.	D834,368 S	11/2018	Oas	
D791,532 S	7/2017	Yao	D834,376 S *	11/2018	Melanson	D7/607
D791,542 S	7/2017	Miksovsky et al.	D834,882 S	12/2018	Seiders et al.	
D791,543 S	7/2017	Mulhauser et al.	D834,892 S *	12/2018	Melanson	D7/523
D791,549 S	7/2017	Goodwin et al.	D836,386 S	12/2018	Ayriss et al.	
D792,215 S	7/2017	Eyal	D836,396 S *	12/2018	Melanson	D7/523
D792,216 S	7/2017	Breit et al.	D836,974 S	1/2019	Seiders et al.	
9,694,953 B2	7/2017	Meyers et al.	D839,049 S	1/2019	Seiders et al.	
D793,165 S *	8/2017	Rummel	D839,054 S	1/2019	Rane et al.	
D794,397 S	8/2017	Seiders et al.	D839,055 S	1/2019	Rane et al.	
D795,007 S	8/2017	Plassmeyer	D842,027 S	3/2019	Boroski	
D795,008 S	8/2017	Eyal	D842,028 S	3/2019	Melanson et al.	
D795,013 S	8/2017	Shultz et al.	D842,104 S	3/2019	Ke	
D795,019 S	8/2017	Seiders et al.	D843,212 S	3/2019	Seiders et al.	
D795,020 S	8/2017	Seiders et al.	D843,789 S	3/2019	Boroski et al.	
D795,646 S	8/2017	Sorensen et al.	D856,154 S	8/2019	Liu et al.	
D798,105 S	9/2017	Stover et al.	D866,255 S *	11/2019	Meyers	D7/413
9,771,189 B2	9/2017	Miksovsky et al.	D874,285 S *	2/2020	Yourist	D9/539
D798,668 S *	10/2017	Steel	D885,841 S *	6/2020	Bohman	D7/523
D799,320 S	10/2017	Goodwin et al.	2005/0046211 A1	3/2005	Nole et al.	
D799,906 S	10/2017	Seiders et al.	2006/0016819 A1	1/2006	Paslawski et al.	
D799,907 S	10/2017	Seiders et al.	2007/0114236 A1	5/2007	Shiffer et al.	
D799,908 S	10/2017	Seiders et al.	2007/0175931 A1 *	8/2007	Leoncavallo	B65D 47/0895 222/556
			2007/0240580 A1	10/2007	Lusareta et al.	
			2008/0011762 A1	1/2008	Boone	
			2008/0017654 A1	1/2008	Chu	

(56)

References Cited

U.S. PATENT DOCUMENTS

2008/0087624	A1	4/2008	Buckley	
2009/0236341	A1	9/2009	McKinney et al.	
2010/0288782	A1	11/2010	Lin	
2011/0147421	A1	6/2011	Pedrol	
2011/0278216	A1	11/2011	Hull et al.	
2012/0145713	A1	6/2012	Jung	
2012/0152968	A1	6/2012	Bailey	
2012/0168441	A1	7/2012	Lane	
2013/0043263	A1	2/2013	Yang	
2013/0119060	A1	5/2013	Chiou et al.	
2013/0240549	A1	9/2013	Beggins et al.	
2014/0061208	A1	3/2014	Boyd	
2014/0360908	A1*	12/2014	Sorensen	B65D 51/28 206/501
2015/0041500	A1	2/2015	Ismail	
2016/0153690	A1	6/2016	Patsis et al.	
2016/0244217	A1	8/2016	Maple et al.	
2016/0270602	A1	9/2016	Casey	
2016/0318693	A1	11/2016	Hein et al.	
2017/0119212	A1	5/2017	Petrillo et al.	
2017/0121073	A1	5/2017	Seiders et al.	
2017/0129665	A1	5/2017	Rolfes	
2017/0253392	A1	9/2017	Bann	
2017/0253396	A1	9/2017	Coon et al.	
2018/0009576	A1	1/2018	Sullivan et al.	

OTHER PUBLICATIONS

Bar Products. Nuance Stainless Steel Cocktail Shaker. 2018 [earliest online date], [site visited Jan. 29, 2018]. Available from Internet, <<https://www.barproducts.com/nuance-stainless-steel-cocktail-shaker-16-9-oz>>. (Year: 2018).

Brittany A. Roston, Slash Gear, “Venture Coolers are like the camping version of OtterBox phone cases,” May 9, 2017, downloaded from <https://www.slashgear.com/venture-coolers-are-like-the-camping-version-of-otterbox-phone-cases-09484519/>, 5 pages.

Custom Tumbler Shop. 30 oz. SIC Cocktail Shaker Lid. Jan. 12, 2017 [earliest online date], [site visited Jan. 29, 2018]. Available from Internet, <https://customtumblersshop.com/sic-30-oz-cocktail-shaker-lid>>. (Year: 2017).

Genuine Thermos Brand, Mugs & Tumblers, downloaded from http://www.thermos.com/product_catalog.aspx?CatCode=MUGS May 8, 2017, 5 pages.

Kevin Curry, Gear & Grit, “OtterBox Just Beat Yeti at Its own Game with Their Venture Line of Coolers,” downloaded from <https://gearandgrit.com/otterbox-venture-cooler/> May 9, 2017, 5 pages.

Otter Products, Inc, OtterBox Outdoor Venture Coolers and Elevation Tumblers, downloaded from <http://www.otterbox.com/en-us/outdoor-coming-soon-html> May 9, 2017, 2 pages.

Otterbox, OtterBox Outdoor Elevation Tumblers, retrieved from <https://www.otterbox.com/en-us/elevation-tumblers.html> on Jan. 5, 2018, 6 pages.

Otterbox, PR Newswire “Unrule the Outdoors with New OtterBox Venture Coolers”, downloaded from <http://www.prnewswire.com/news-releases/unrule-the-outdoors-with-new-otterbox-venture-coolers-300453988.html> May 9, 2017, 3 pages.

Otterbox, Rugged & Versatile Elevation 20 Tumbler Accessories, retrieved from <https://www.otterbox.com/en-us/tumber-accessories> Jan. 5, 2018, 2 pages.

Pelican Consumer, Traveler Tumbler Series Drinkware, downloaded from <http://www.pelican.com/us/en/products/drinkware> May 8, 2017, 2 pages.

Tervis Official Store, Shaker Top, downloaded from <http://www.tervis.com/shaker-top> May 8, 2017, 4 pages.

Tervis Official Store, Stainless Steel Tumblers, downloaded from <http://www.tervis.com/stainless-steel> May 8, 2017, 4 pages.

Tervis Official Store, Travel Lids, downloaded from <http://www.tervis.com/travel-lids> May 8, 2017, 11 pages.

Yeti Coolers, Rambler Drinkware Series, downloaded from <http://yeti.com/rambler> May 8, 2017, 6 pages.

Yeti Coolers, Yeti Accessories & Parts, downloaded May 8, 2017 from <http://yeti.com/accessories>, 5 pages.

Otterbox, “OtterBox Elevation Tumbler with Flip Lid (20 oz),” dated Aug. 30, 2018, downloaded from https://www.amazon.com/Otterbox-Elevation-Tumbler-Flip-Lid/dp/B07DHX4NS9/ref=sr__3?ie=UTF8&qid=1549297189&sr=8-3&keywords=Elevation+20+Tumbler Feb. 4, 2019, 1 page.

amazon.com, “Silver Buffalo 20 oz Stainless Steel Tumbler, Red,” dated Dec. 22, 2016, downloaded from <https://www.amazon.com/Silver-Bufferalo-Stainless-Steel-Tumbler/dp/B01MT1T7WG> Jun. 13, 2018, 1 page.

Liquid Logic, “Pro32: Double Wall, Insulated Vacuum, Condensation Free Tumbler,” dated Apr. 5, 2016, downloaded from www.amazon.com/Pro32-Insulated-Condensation-Tumbler-Stainless/dp/B01DUBM6CO/ref=lp_2595554011_1_7?srs=2595554011&ie=UTF8 Jun. 13, 2018, 1 page.

Ninja, “Ninja Single Serve Cup Set,” dated Jul. 13, 2013, downloaded from https://www.amazon.com/...UTF8&pd_rd_i=B011IW4XD8&pd_rd_r=4CQK27ABX6AHV038GMGF&pd_rd_w=jABEu&pd_rd_wg=zgOK2&psc=1 on Mar. 9, 2017, 3 pages.

OtterBox, “OtterBox Elevation Tumbler (20oz),” dated Jul. 10, 2018, downloaded from <https://www.amazon.com/OtterBox-Elevation-Tumbler-Global-Stainless/dp/BOOZ7RVVN6> Dec. 15, 2018, 1 page.

Amazon website, OtterBox Elevation Growler w/Twist on Lid, Publication date unknown, (site visited Jun. 29, 2019], Available on the internet URL www.amazon.com/Otterbox-Elevation-Growler-Silver-Panther/dp/B07R69TTPF/ (Year: 2019), 1 page.

Otterbox, “Elevation 10 & 20 Closed Lid,” downloaded from https://www.otterbox.com/en-us/elevation-10-20/closed-lid/78-51779.html?KPID=78-51779.html?KPID=78-51779&scid=?eml_pop=no&gclid=Cj0KCQiAtvPjBRDPARIsAJfZz0pvo6AuVi-907IIGN3Ldy_bZz8-o Mar. 4, 2019, 1 page.

* cited by examiner

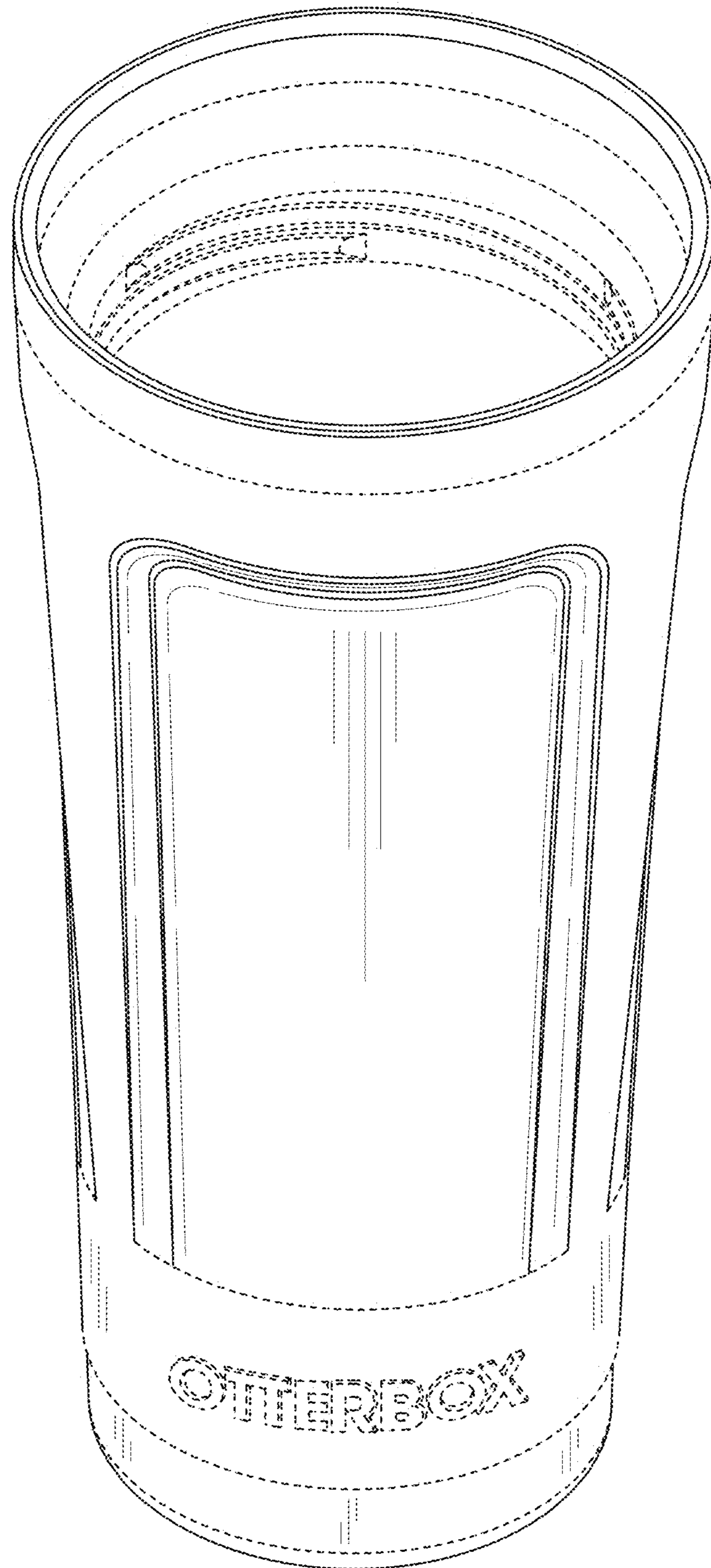


FIG. 1

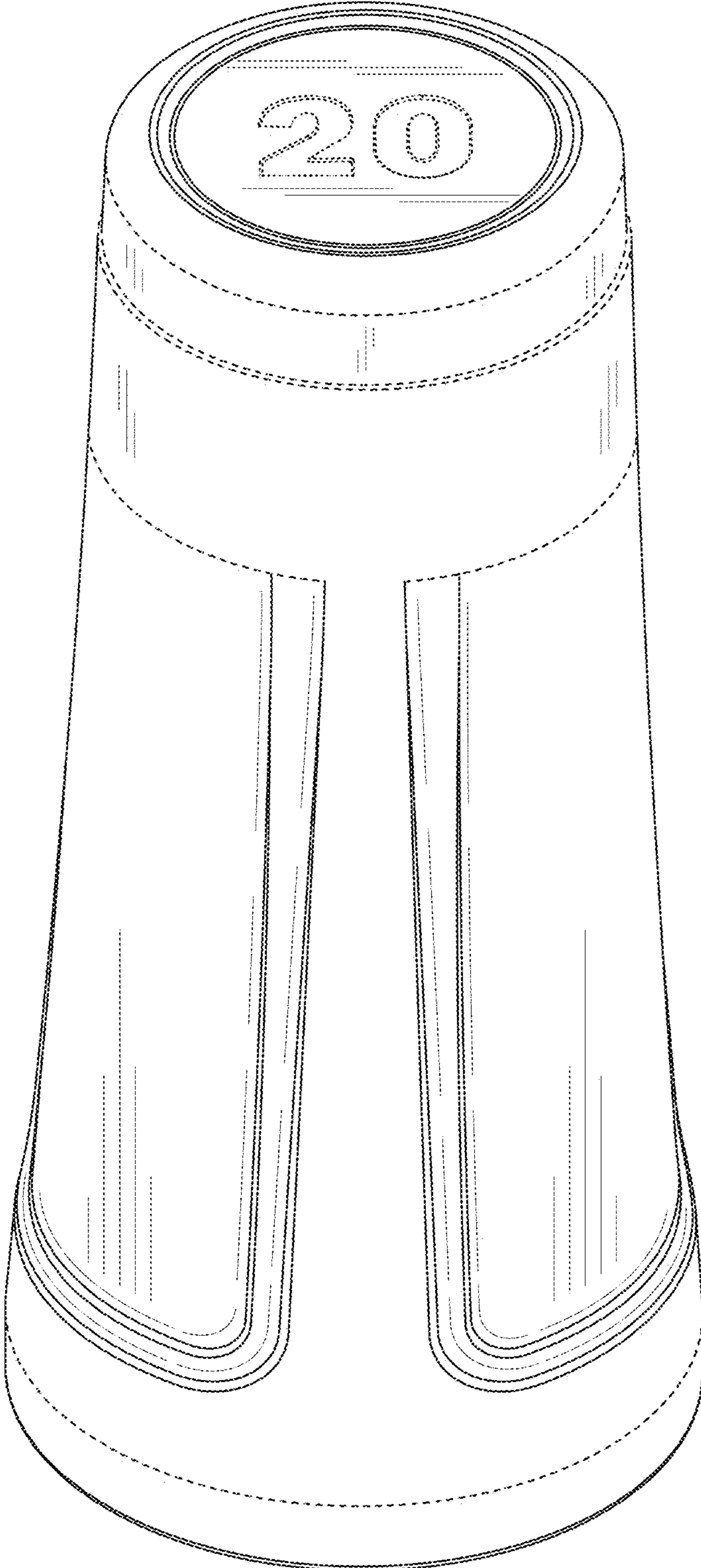


FIG. 2

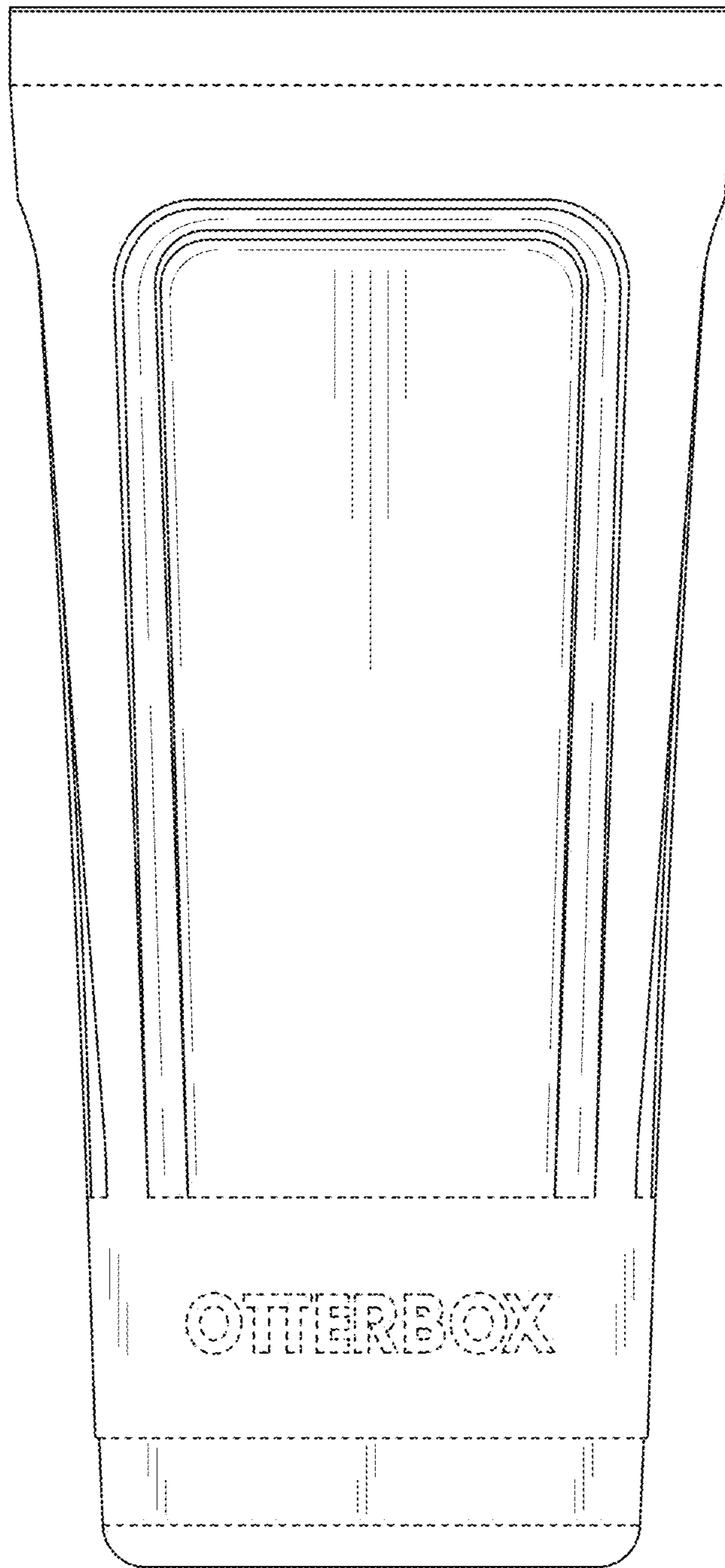


FIG. 3

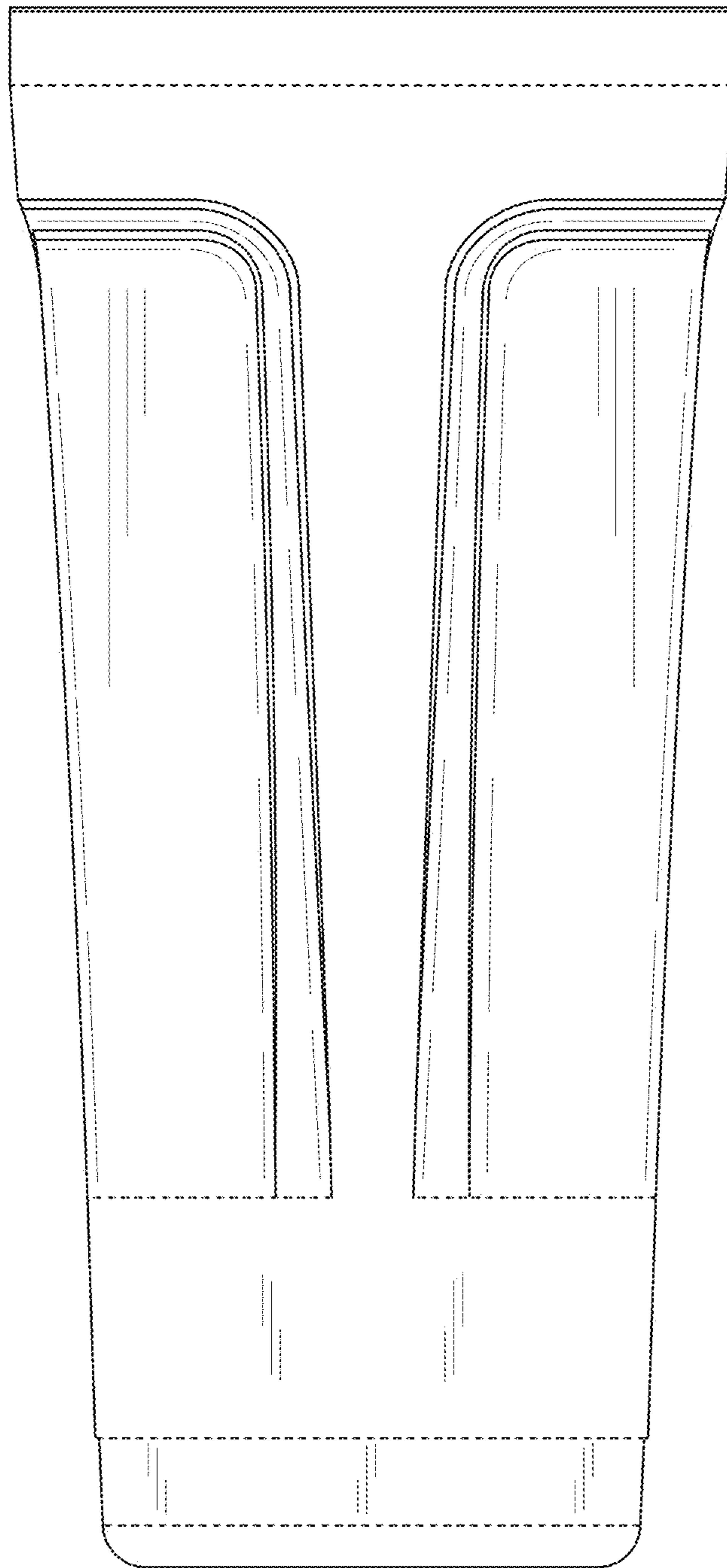


FIG. 4

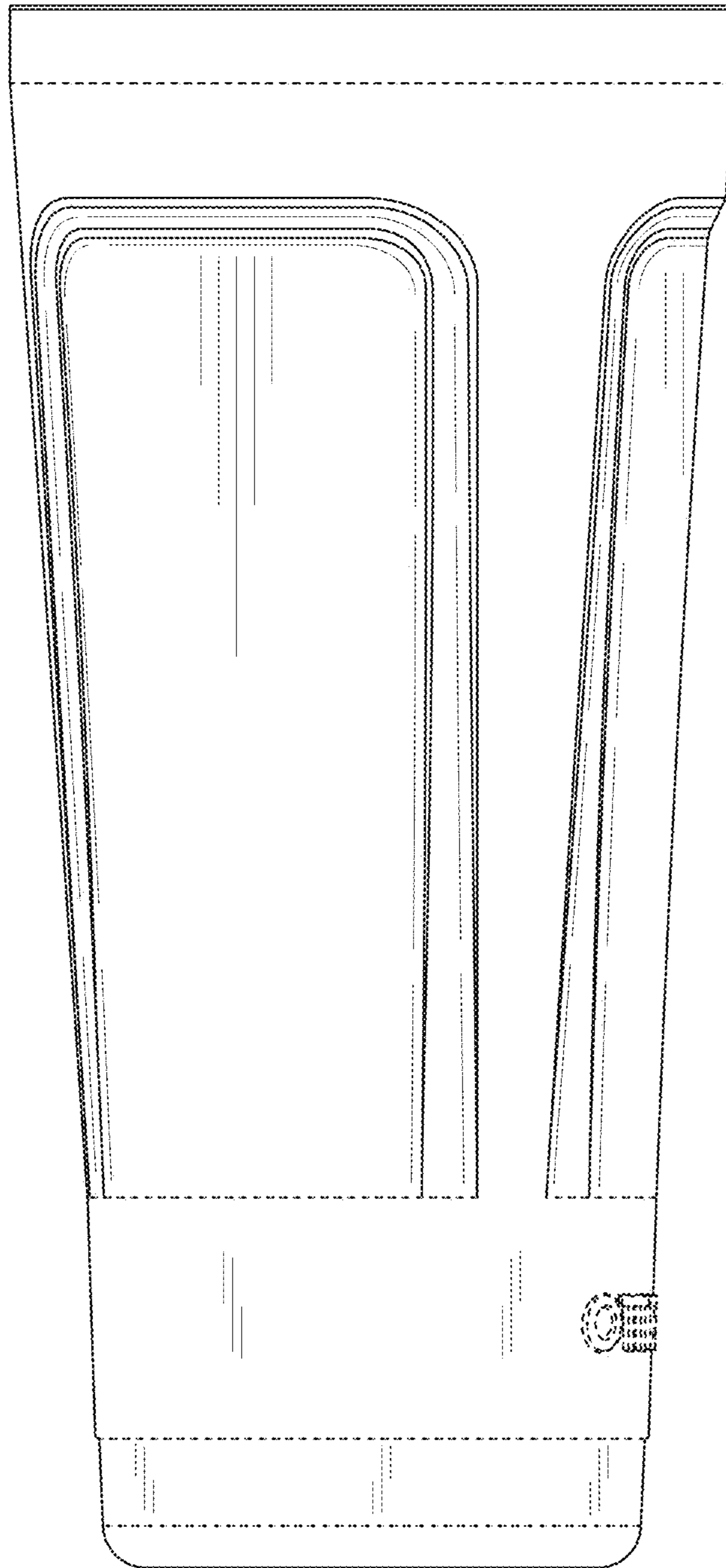


FIG. 5

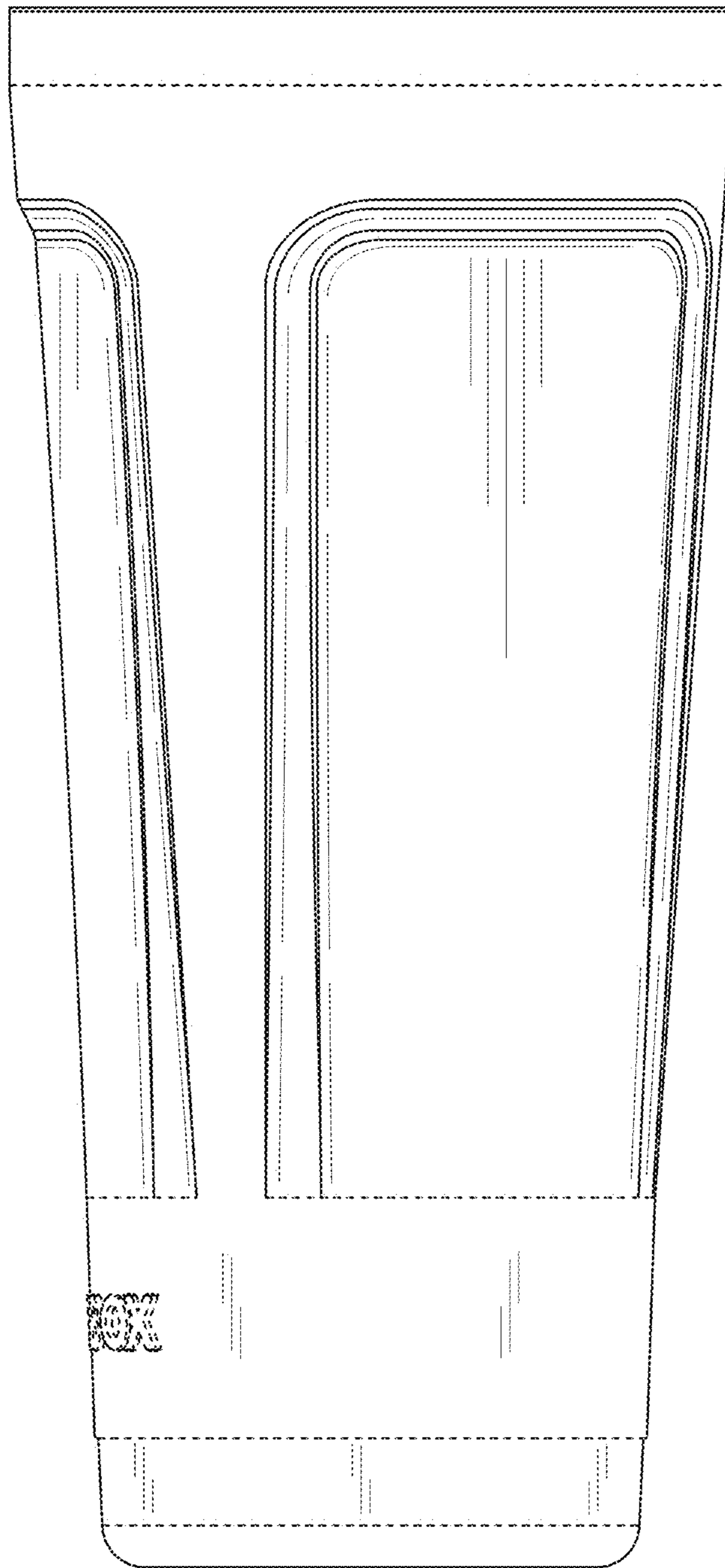


FIG. 6

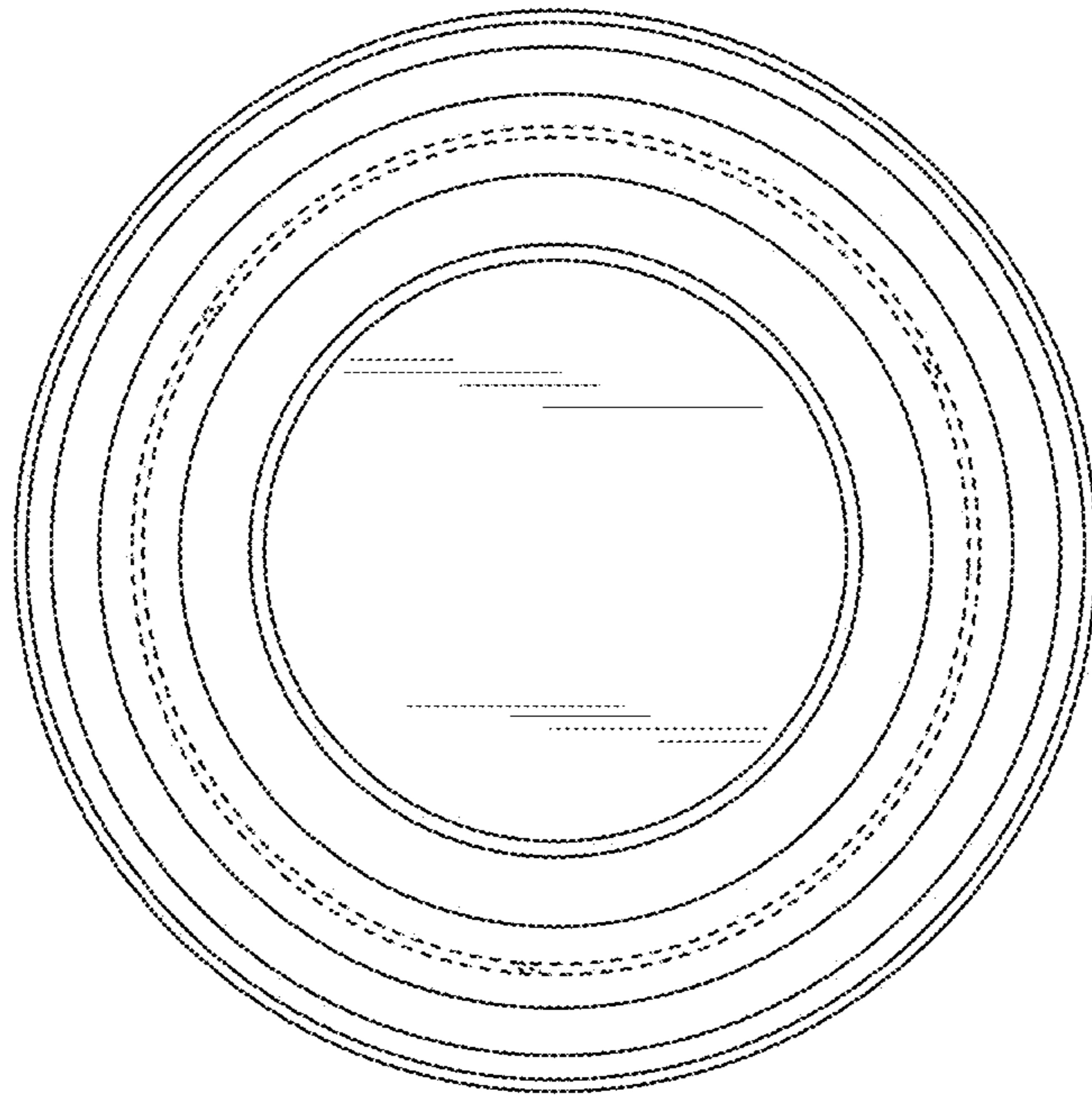


FIG. 7

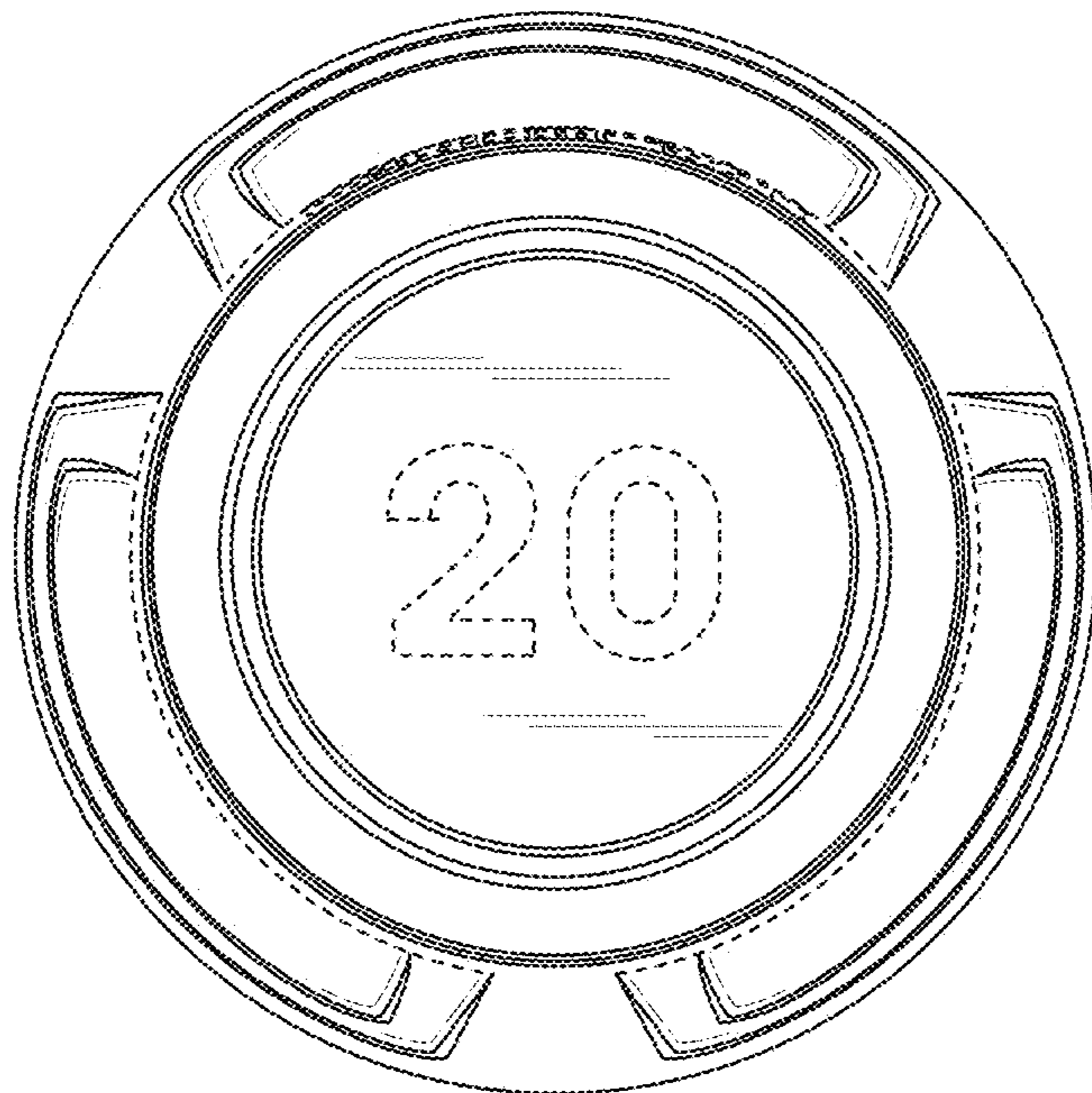


FIG. 8