

US00D902652S

(12) **United States Design Patent**  
**Seymour**

(10) **Patent No.:** **US D902,652 S**  
(45) **Date of Patent:** **\*\* Nov. 24, 2020**

- (54) **DEHYDRATOR TRAY**
- (71) Applicant: **National Presto Industries, Inc.**, Eau Claire, WI (US)
- (72) Inventor: **Justun C. Seymour**, Eau Claire, WI (US)
- (73) Assignee: **National Presto Industries, Inc.**, Eau Claire, WI (US)
- (\*\*) Term: **15 Years**
- (21) Appl. No.: **29/682,130**
- (22) Filed: **Mar. 1, 2019**
- (51) **LOC (12) Cl.** ..... **07-02**
- (52) **U.S. Cl.**  
USPC ..... **D7/409; D7/354; D7/359**
- (58) **Field of Classification Search**  
USPC ..... D6/585; D7/323, 332, 335-337, D7/354-355, 359-364, 387-388, 391, D7/402, 407-409, 698; D32/57  
CPC .... A21B 2/00; A21B 3/00; A21B 3/13; A21B 3/15; A21B 5/00; A21B 5/02; A23B 7/0205; A23N 12/06; A23N 12/08; A23N 12/10; A47J 37/00; A47J 37/04; A47J 37/041; A47J 37/042; A47J 37/06; A47J 37/0688; A47J 37/0694; A47J 37/07; A47J 37/0704; A47J 37/10; A47J 43/24; A47J 47/20; A47J 2037/00; A47J 2037/06; A47J 2037/0611; A47J 2037/07; A47J 2037/0786; A47J 2037/0795; F24C 15/10; F24C 15/12; F24C 15/14; F24C 15/16; F24C 15/164; F24C 15/18; F26B 3/04  
See application file for complete search history.

4,190,965 A	3/1980	Erickson	
4,236,063 A	11/1980	Glucksman	
D261,142 S	10/1981	Erickson et al.	
4,380,127 A	4/1983	Roberts	
4,457,432 A	7/1984	Solheim	
4,536,643 A	8/1985	Erickson	
5,215,004 A	6/1993	Su	
5,235,906 A	8/1993	Hsu	
5,261,168 A	11/1993	Li	
5,311,673 A	5/1994	Su	
5,379,527 A	1/1995	Su	
5,420,393 A	5/1995	Dornbush et al.	
5,423,249 A	6/1995	Meyer	
5,437,108 A	8/1995	Alseth	
5,454,298 A	10/1995	Lu	
5,458,050 A	10/1995	Su	
5,826,498 A *	10/1998	Su	A23B 7/0205 99/476

(Continued)

*Primary Examiner* — Ricky Pham

(57) **CLAIM**

The ornamental design for a dehydrator tray, as shown and described.

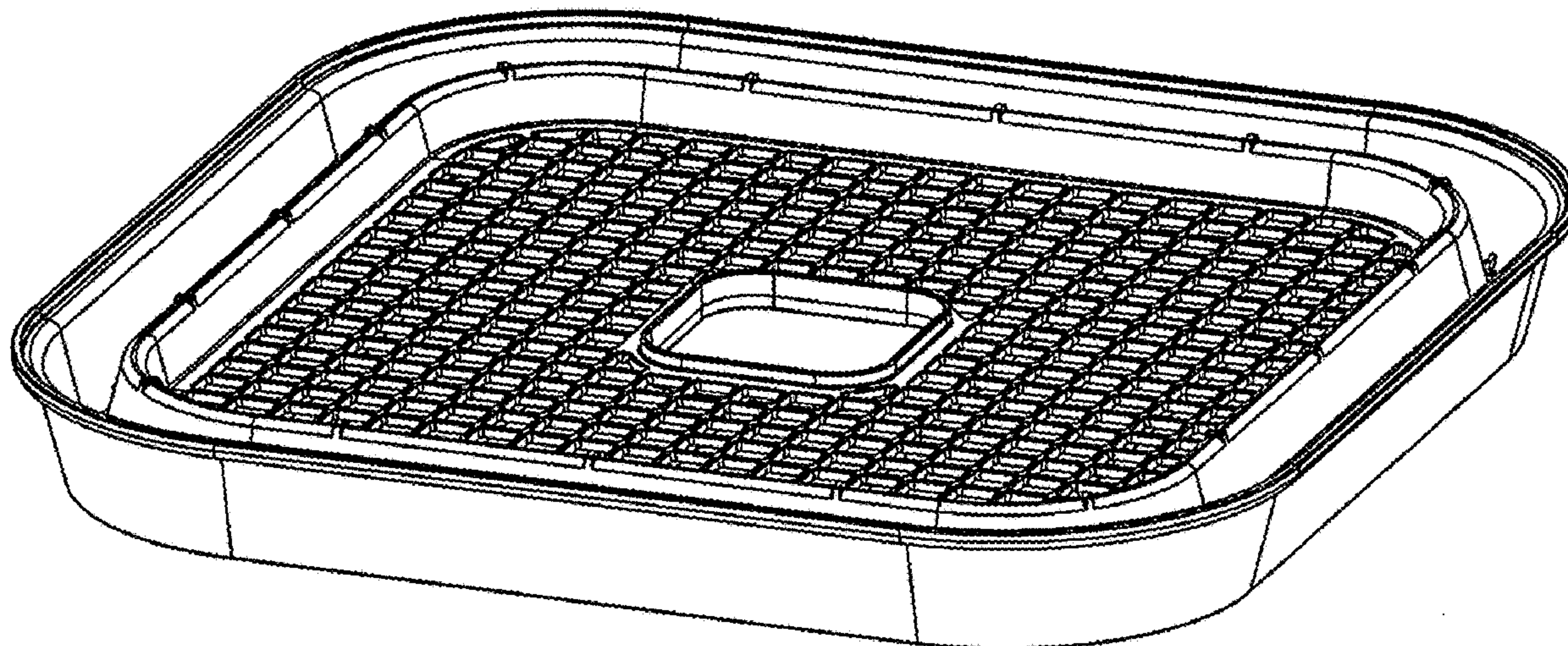
**DESCRIPTION**

FIG. 1 is a top view of a dehydrator tray according to the present invention.  
 FIG. 2 is a bottom view of the dehydrator tray depicted in FIG. 1.  
 FIG. 3 is a left side view of the dehydrator tray depicted in FIG. 1.  
 FIG. 4 is a right side view of the dehydrator tray depicted in FIG. 1.  
 FIG. 5 is a front view of the dehydrator tray depicted in FIG. 1.  
 FIG. 6 is a rear view of the dehydrator tray depicted in FIG. 1; and,  
 FIG. 7 is a perspective, left side view of the dehydrator tray depicted in FIG. 1.

**1 Claim, 7 Drawing Sheets**

(56) **References Cited**  
U.S. PATENT DOCUMENTS

1,413,908 A	4/1922	Green
4,036,562 A	7/1977	Barnes



(56)

References Cited

U.S. PATENT DOCUMENTS

D401,468	S	11/1998	Knoll et al.	
5,878,508	A	3/1999	Knoll et al.	
5,950,526	A	9/1999	Hsu	
6,041,696	A	3/2000	Su	
6,085,442	A	7/2000	Erickson	
D445,295	S	7/2001	Su	
D517,759	S *	3/2006	Dretzka .....	D32/57
7,159,510	B2	1/2007	LaMaster et al.	
D549,531	S *	8/2007	Kishbaugh .....	D7/698
D614,445	S *	4/2010	Ferron .....	D7/354
D682,634	S *	5/2013	Datavs .....	D7/698
8,684,661	B2	4/2014	Hornig et al.	
D795,640	S *	8/2017	McGrath .....	D7/354
D800,492	S *	10/2017	Sarnoff .....	D7/359
D821,140	S *	6/2018	Mirchandani .....	D7/409
D840,174	S *	2/2019	Kraemer .....	D6/585
D853,783	S *	7/2019	Copier .....	D7/391
10,362,795	B2 *	7/2019	Backus .....	F26B 3/04
2004/0238438	A1 *	12/2004	Chen .....	A47J 43/24 210/474
2007/0102386	A1	5/2007	Killinger et al.	
2009/0321410	A1	12/2009	Moon	
2013/0326902	A1	12/2013	Barrows	
2015/0272199	A1	10/2015	Barrows	
2016/0360773	A1 *	12/2016	Pan .....	A23B 7/0205
2018/0271122	A1	9/2018	Barrows	

\* cited by examiner



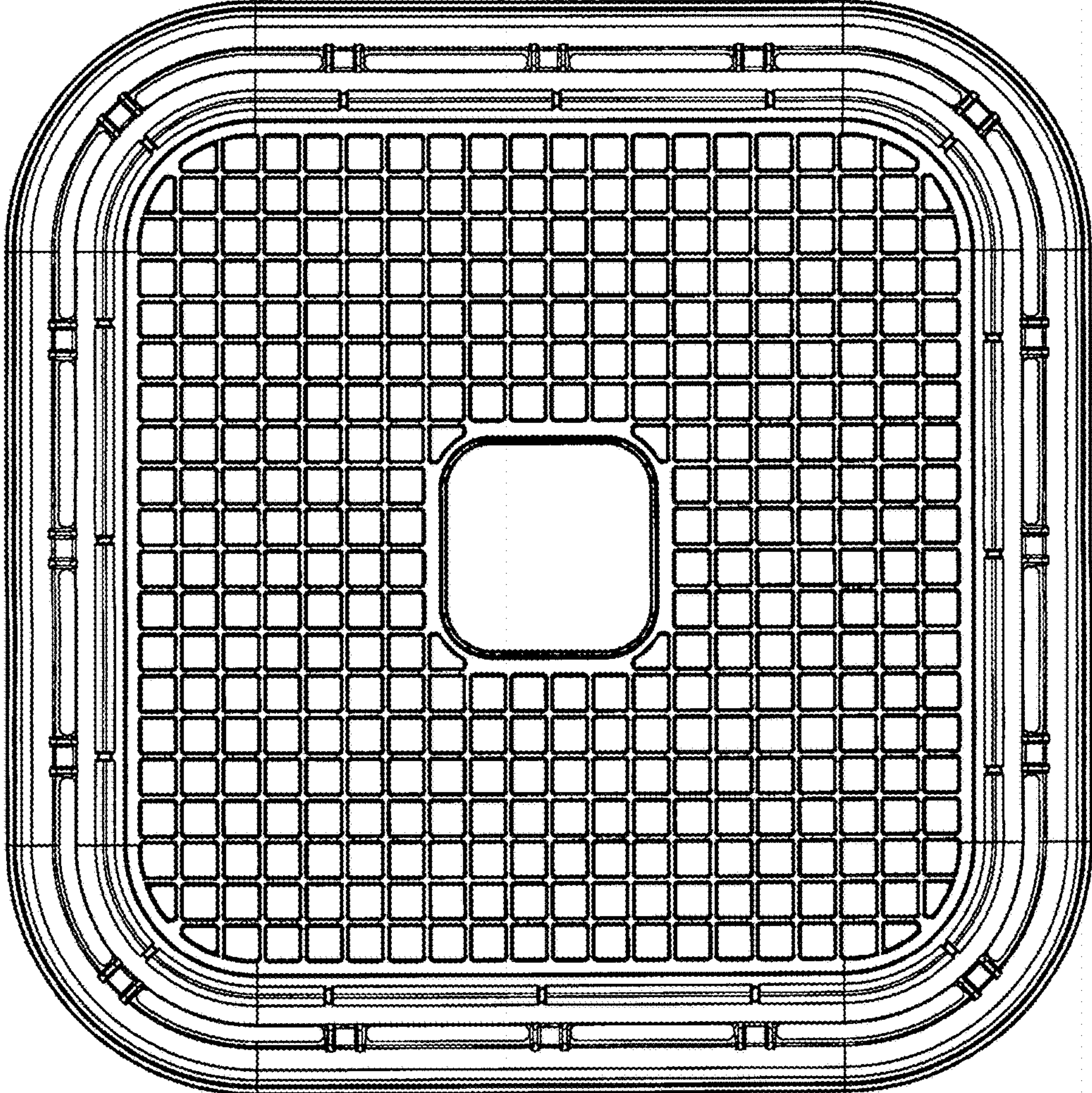


Fig. 1

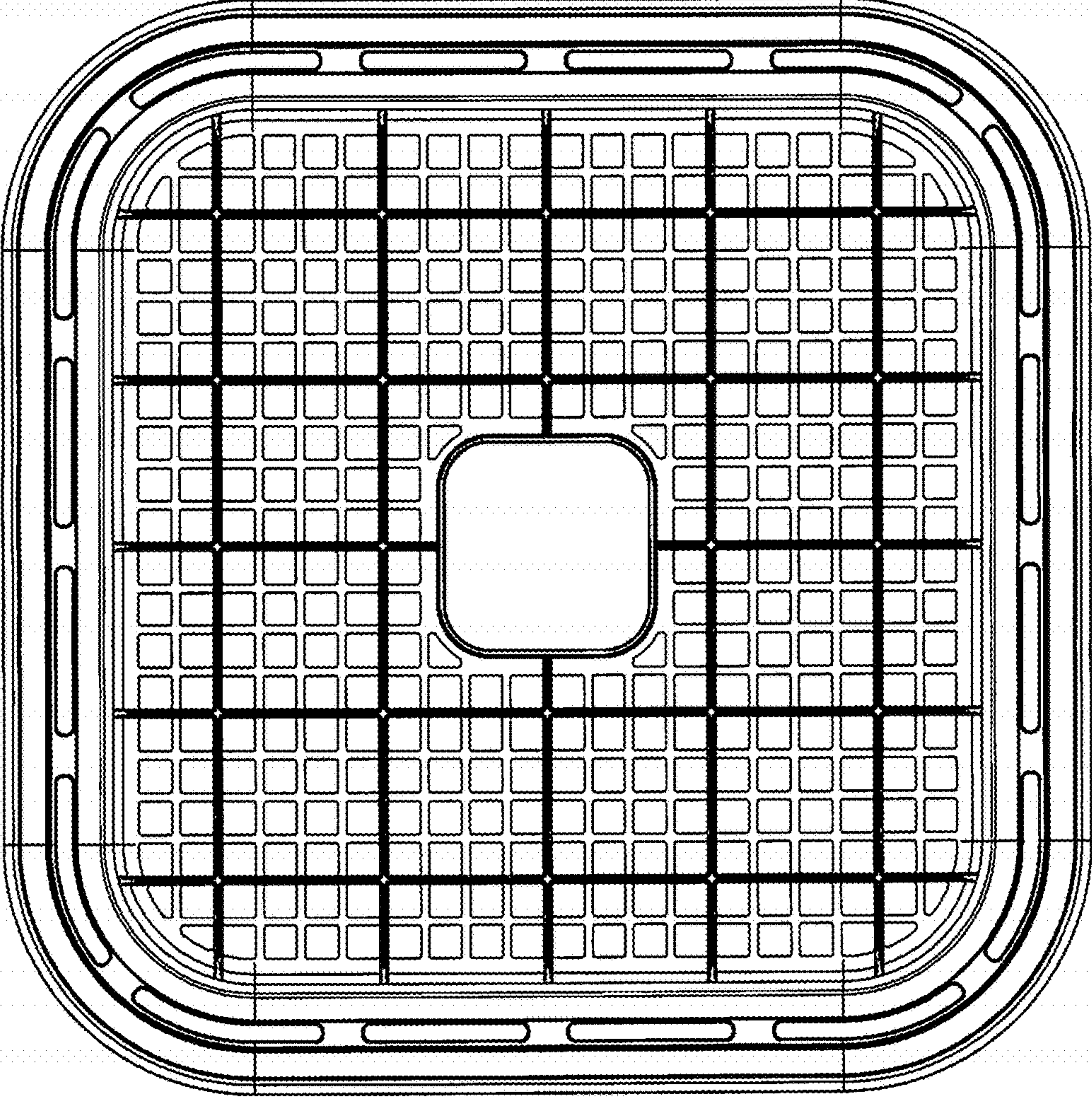


Fig. 2



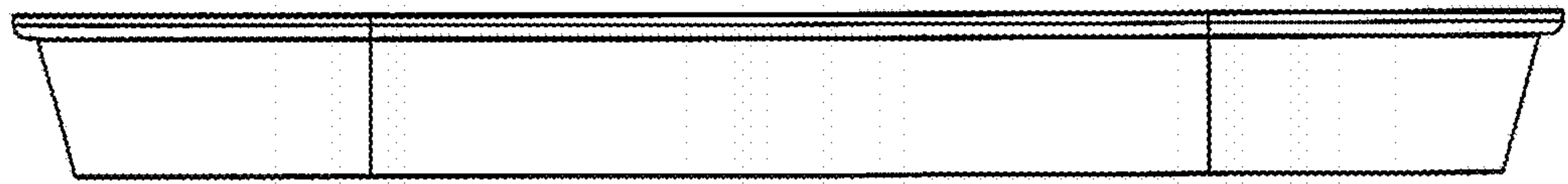


Fig. 3

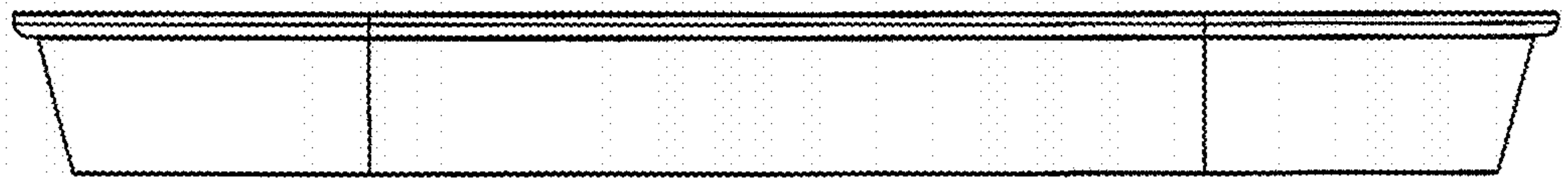


Fig. 4

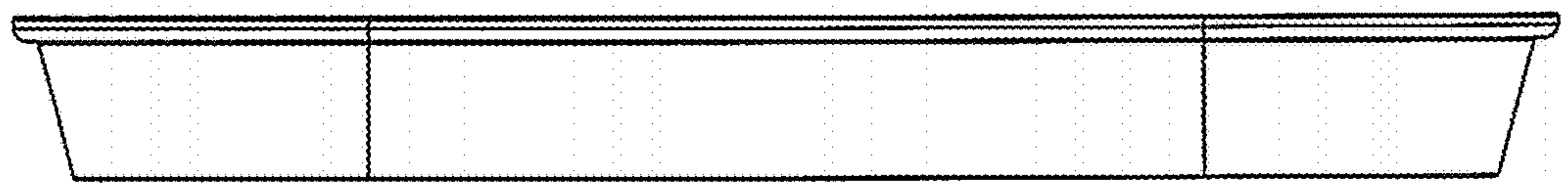


Fig. 5

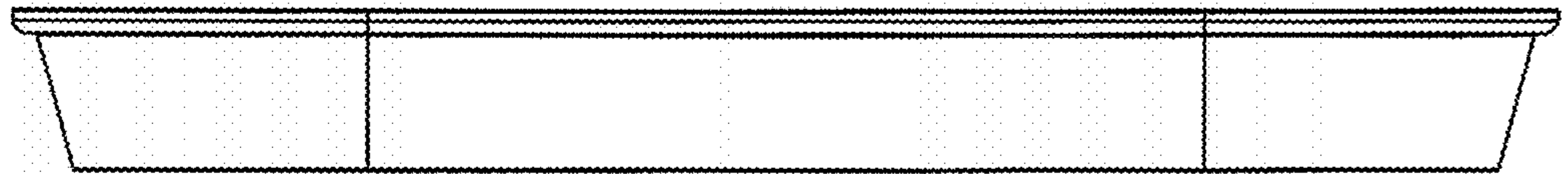


Fig. 6



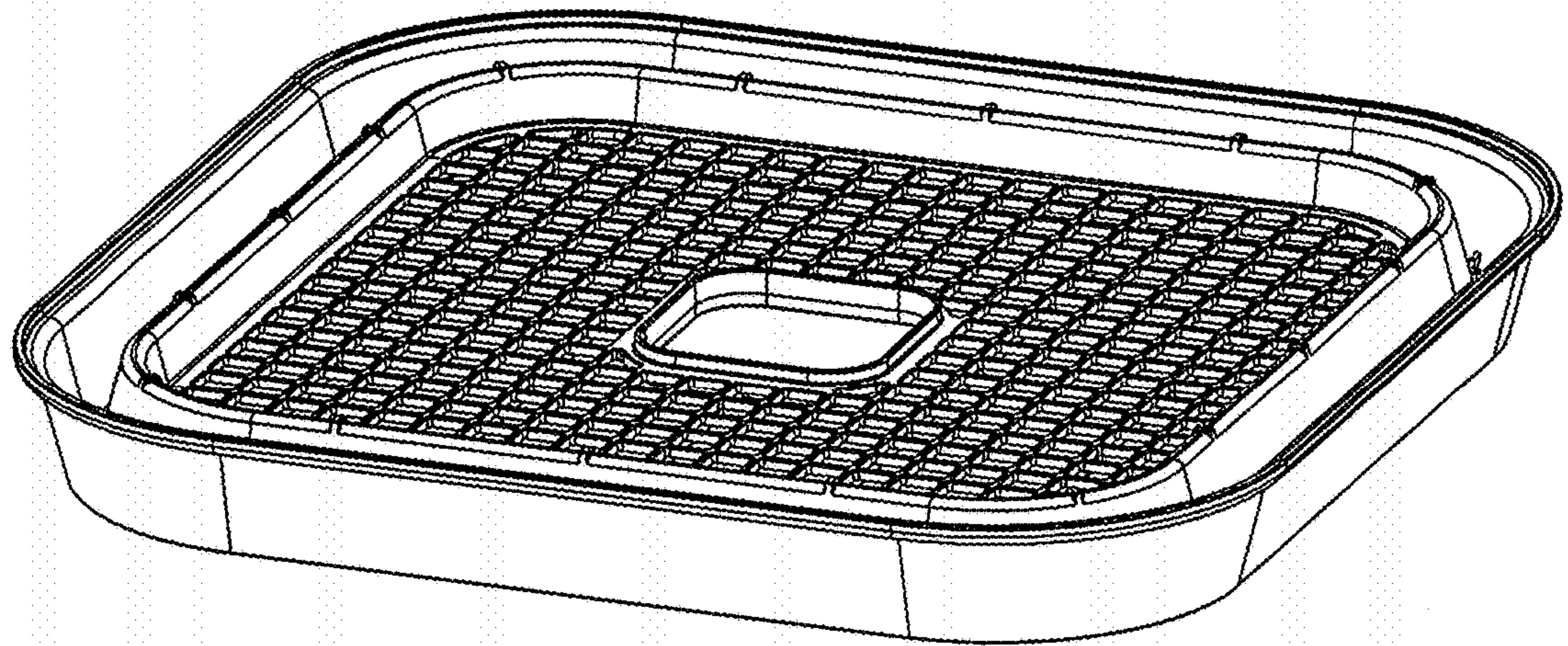


Fig. 7