



US00D902650S

(12) **United States Design Patent**
Wang

(10) **Patent No.:** **US D902,650 S**

(45) **Date of Patent:** **** Nov. 24, 2020**

(54) **DUST PROOF LID WITH STRAW**

(71) Applicant: **Qi Wang, Jiangxi (CN)**

(72) Inventor: **Qi Wang, Jiangxi (CN)**

(73) Assignee: **SHEN ZHEN QUICK FIT PLASTIC CO., LTD, Shen Zhen (CN)**

(**) Term: **15 Years**

(21) Appl. No.: **29/697,161**

(22) Filed: **Jul. 4, 2019**

(51) **LOC (12) Cl.** **07-99**

(52) **U.S. Cl.**

USPC **D7/396.2**

(58) **Field of Classification Search**

USPC D3/200, 201, 203.1, 203.2, 203.4;
D24/121, 127, 193, 194, 197, 199, 216,
D24/224; D9/414, 418, 422, 423, 424,
D9/428, 431, 436, 454, 503, 504, 549,
D9/721, 686, 690, 434, 435, 439, 446,
D9/447, 452; D7/300, 300.2, 387, 391,
D7/392, 302.1, 396.1, 396.2, 397, 398,
D7/509, 510, 511, 601, 602, 619.1, 900;
D6/677

CPC .. A47J 47/14; B65D 1/00; B65D 1/22; B65D
1/26; B65D 1/34; B65D 1/40; B65D
1/165; B65D 2251/0087; B65D
2251/0018; B65D 2251/0028; B65D
2251/009; B65D 81/18; B65D 81/38;
B65D 25/54; B65D 25/106; B65D 25/22;
B65D 25/24; B65D 39/0005; B65D
43/06; B65D 51/24; B65D 51/245; B65D
2201/00; A47F 3/145; A45D 34/02

See application file for complete search history.

(56) **References Cited**

U.S. PATENT DOCUMENTS

D355,121 S * 2/1995 Kohl D9/447
D545,619 S * 7/2007 Jalet D7/392

D632,176 S * 2/2011 McKinney D9/450
D649,879 S * 12/2011 Gullickson D9/443
D718,572 S * 12/2014 Sturgess D7/396.2
D729,569 S * 5/2015 Herbst D7/392
D740,605 S * 10/2015 Wodka D7/396.2
D747,136 S * 1/2016 Lane D7/396.2
D752,381 S * 3/2016 Wahl D7/392.1
D770,222 S * 11/2016 Boroski D7/392.1
D796,256 S * 9/2017 Stover D7/396.2

(Continued)

FOREIGN PATENT DOCUMENTS

KR 300407190.0000 * 2/2006
KR 300445922.0000 * 4/2007

Primary Examiner — Catherine S Posthauer

(57) **CLAIM**

The ornamental design for a dust proof lid with straw, as shown and described.

DESCRIPTION

FIG. 1 is a perspective view of a dust proof lid with straw showing my new design

FIG. 2 is a front elevational view thereof;

FIG. 3 is a rear elevational view thereof;

FIG. 4 is a left side elevational view thereof;

FIG. 5 is a right side elevational view thereof;

FIG. 6 is a top plan view thereof;

FIG. 7 is a bottom plan view thereof;

FIG. 8 is a perspective view with straw opened thereof of the dust proof lid with straw where the dust proof lid with straw is in an open state;

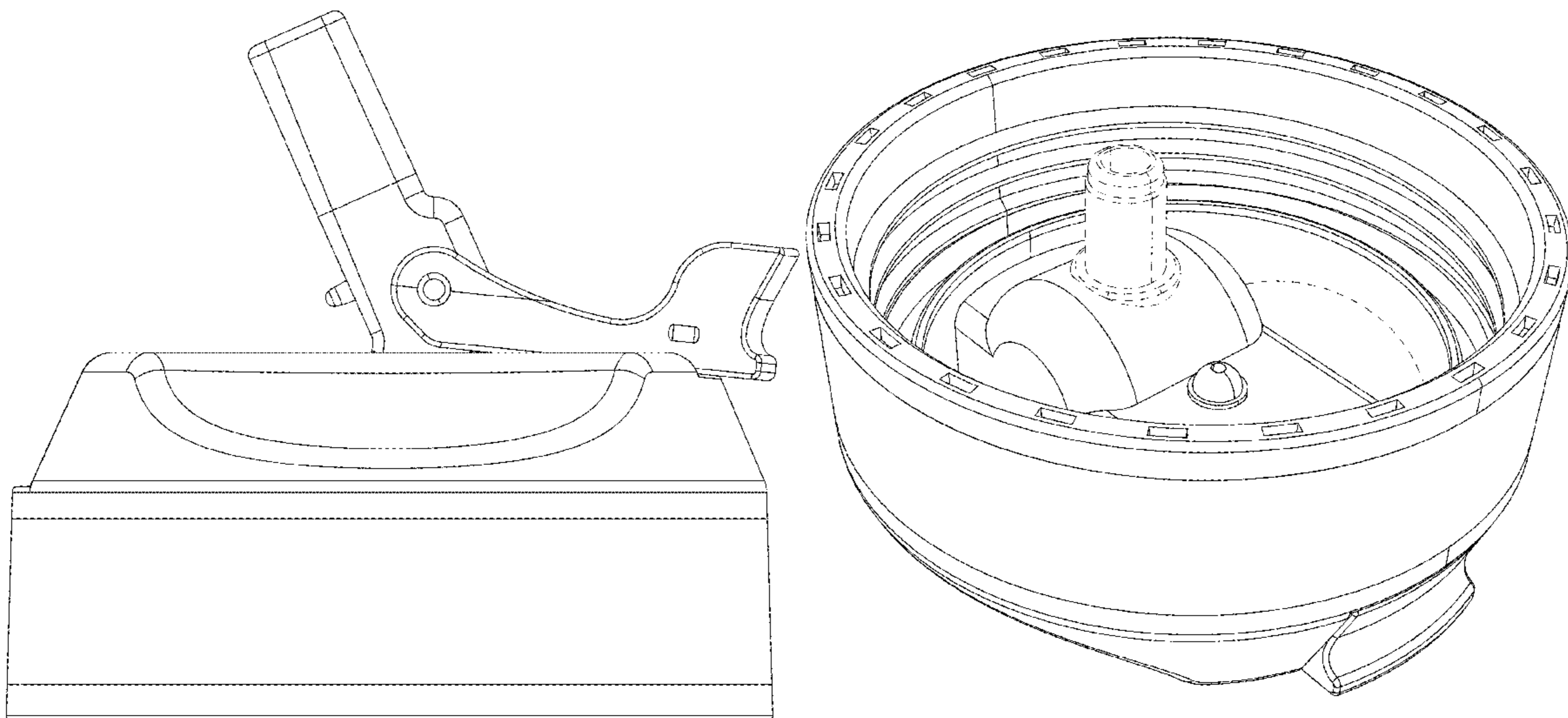
FIG. 9 is right side elevational view with straw opened thereof;

FIG. 10 is another perspective view with straw opened thereof; and,

FIG. 11 is another perspective view thereof.

The broken lines in the drawings depict portions of the dust proof lid with straw that form no part of the claimed design.

1 Claim, 11 Drawing Sheets



(56)

References Cited

U.S. PATENT DOCUMENTS

D798,105 S * 9/2017 Stover D7/396.2
D801,173 S * 10/2017 Lown D9/449
D801,174 S * 10/2017 Lown D9/449
D804,904 S * 12/2017 Noveletsky D7/510
D811,810 S * 3/2018 Joseph D7/392.1
D815,889 S * 4/2018 Xu D7/392.1
D818,317 S * 5/2018 Fu D7/510
D818,768 S * 5/2018 Joseph D7/396.2
D820,036 S * 6/2018 Lonner D7/391
D822,429 S * 7/2018 Washburn D7/396.2
D826,631 S * 8/2018 Baron D7/392.1
D827,769 S * 9/2018 Brill D23/209
D839,043 S * 1/2019 Boroski D7/391
D839,663 S * 2/2019 Hu D7/391
D844,376 S * 4/2019 Rosette D7/392
D850,259 S * 6/2019 Wiggins D9/449
D855,388 S * 8/2019 Potter D7/392
D865,441 S * 11/2019 Lowette D7/392
D869,229 S * 12/2019 Hao D7/392.1
D871,144 S * 12/2019 Zhang D7/510
D880,225 S * 4/2020 Peng D7/392.1
D880,242 S * 4/2020 Silsby D7/510
2015/0307265 A1 10/2015 Winn et al.
2016/0296051 A1 10/2016 Lane et al.
2017/0253396 A1* 9/2017 Coon B65D 43/16

* cited by examiner

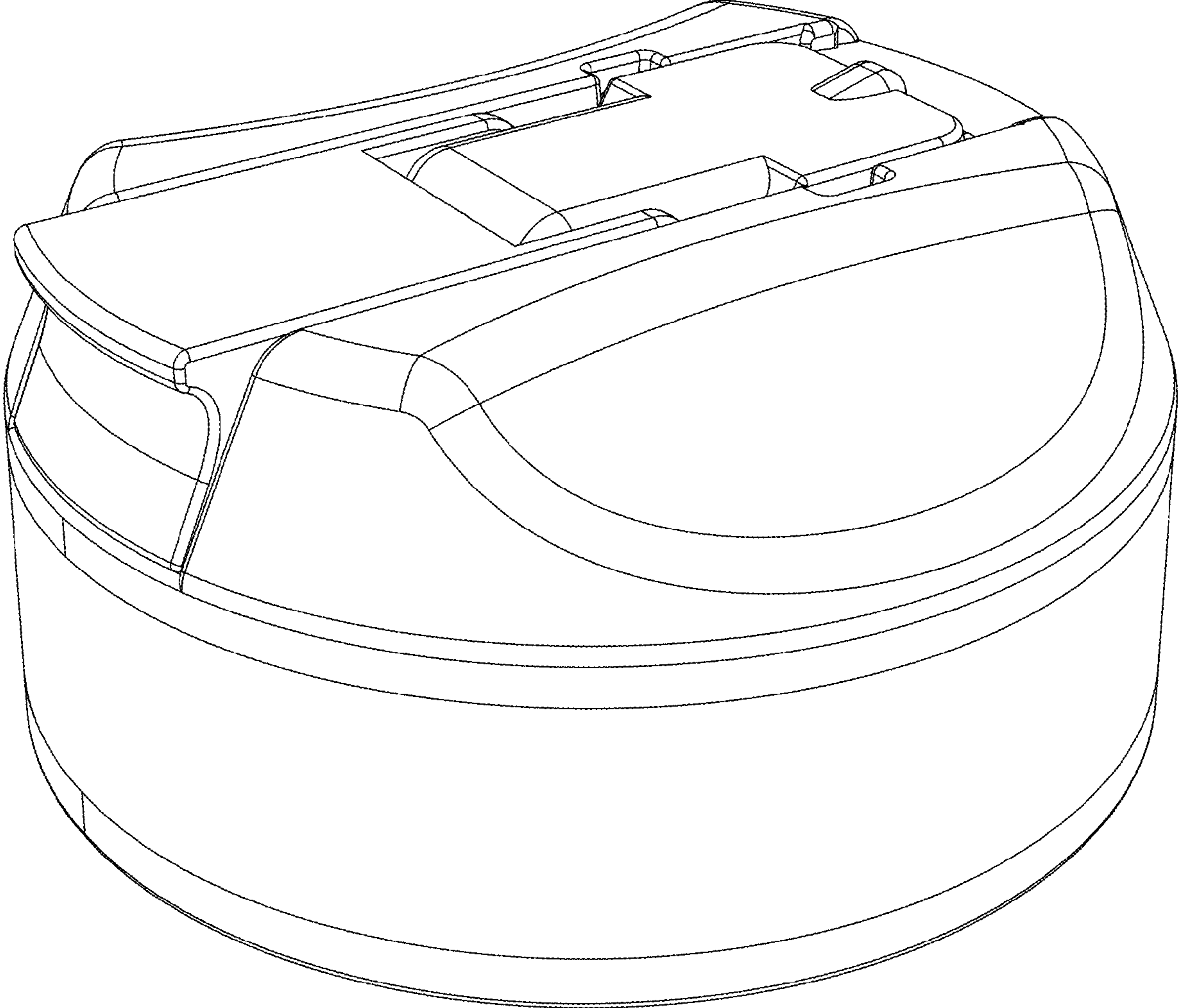


FIG. 1

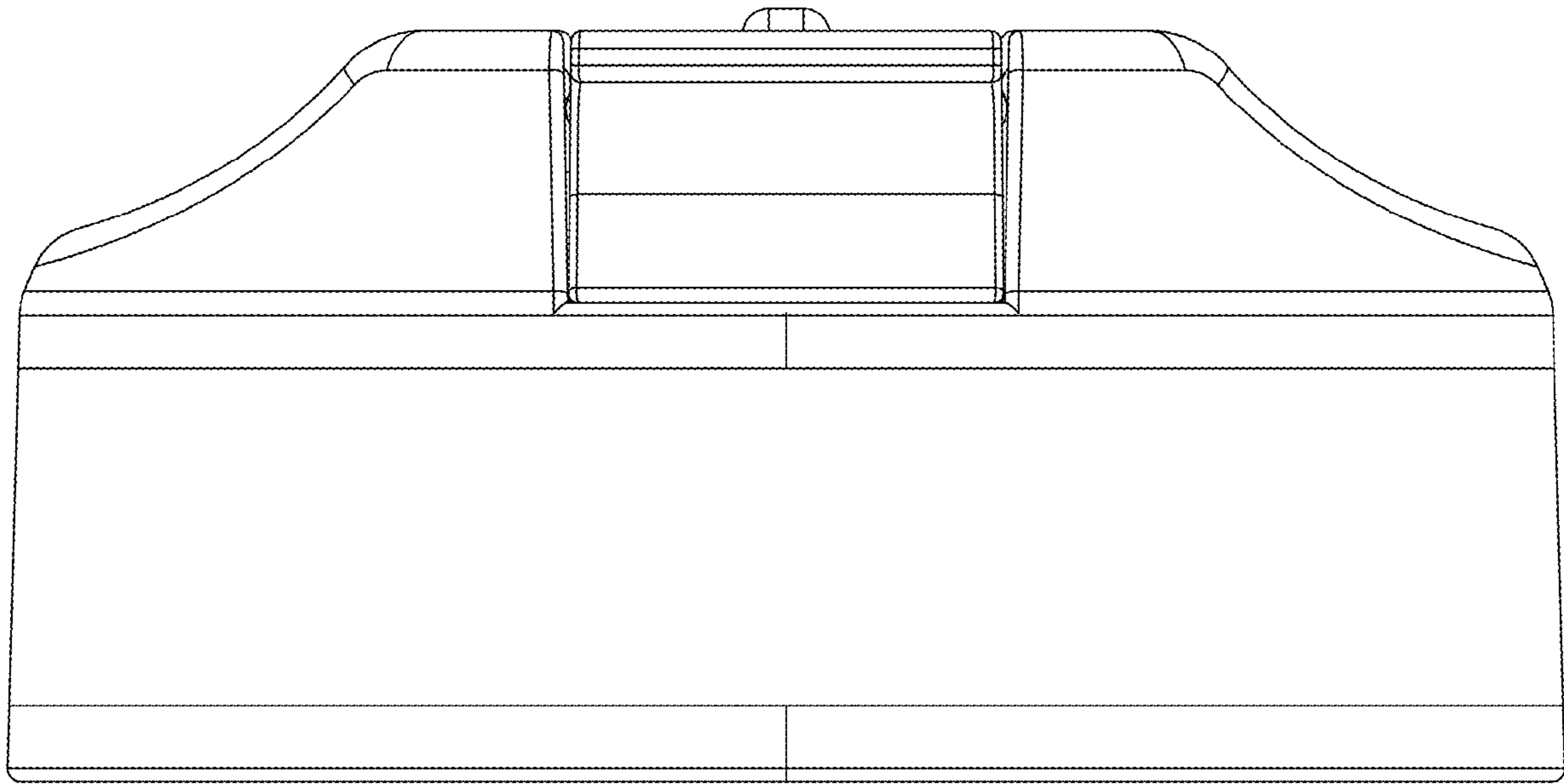


FIG. 2

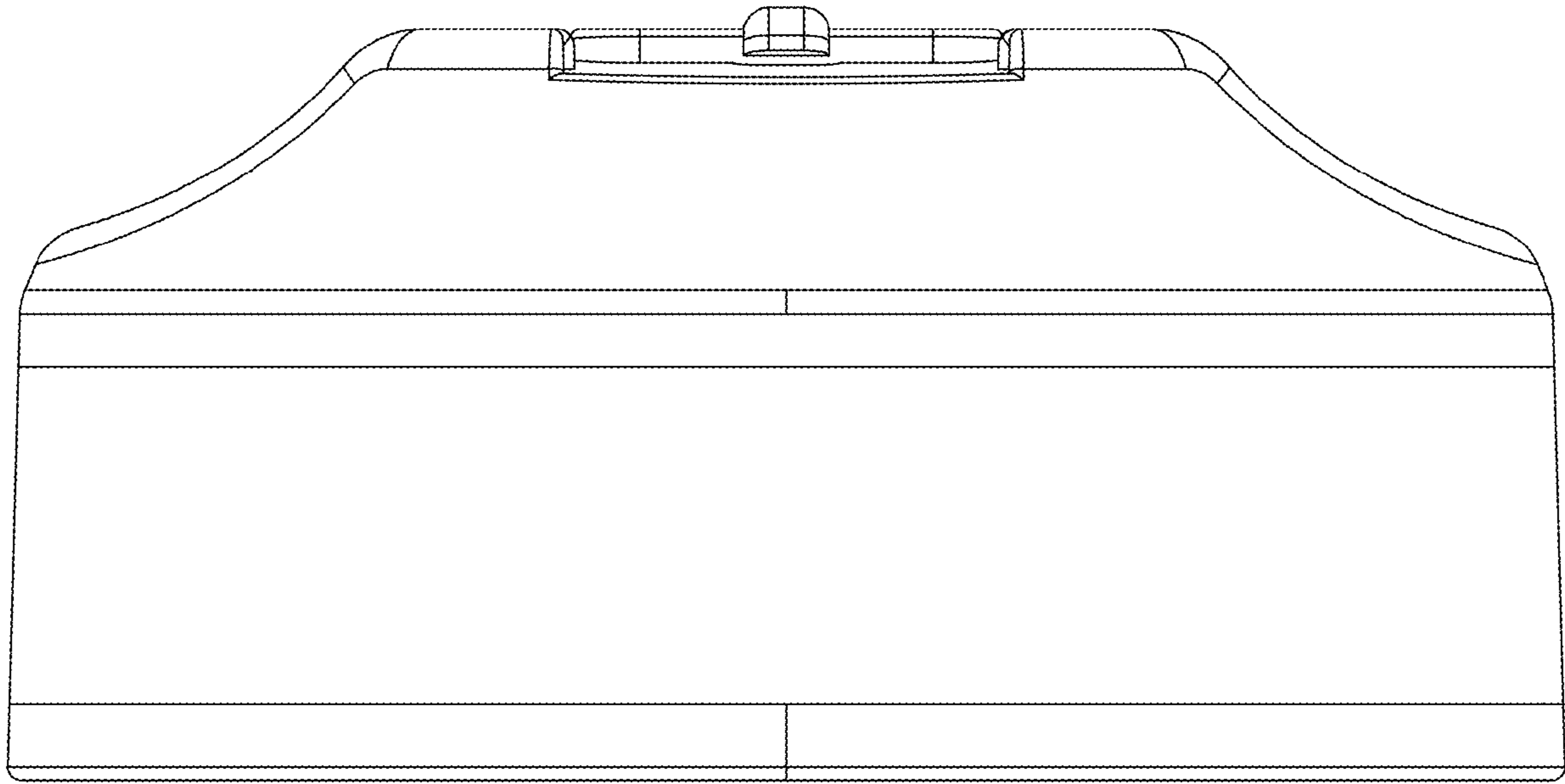


FIG. 3

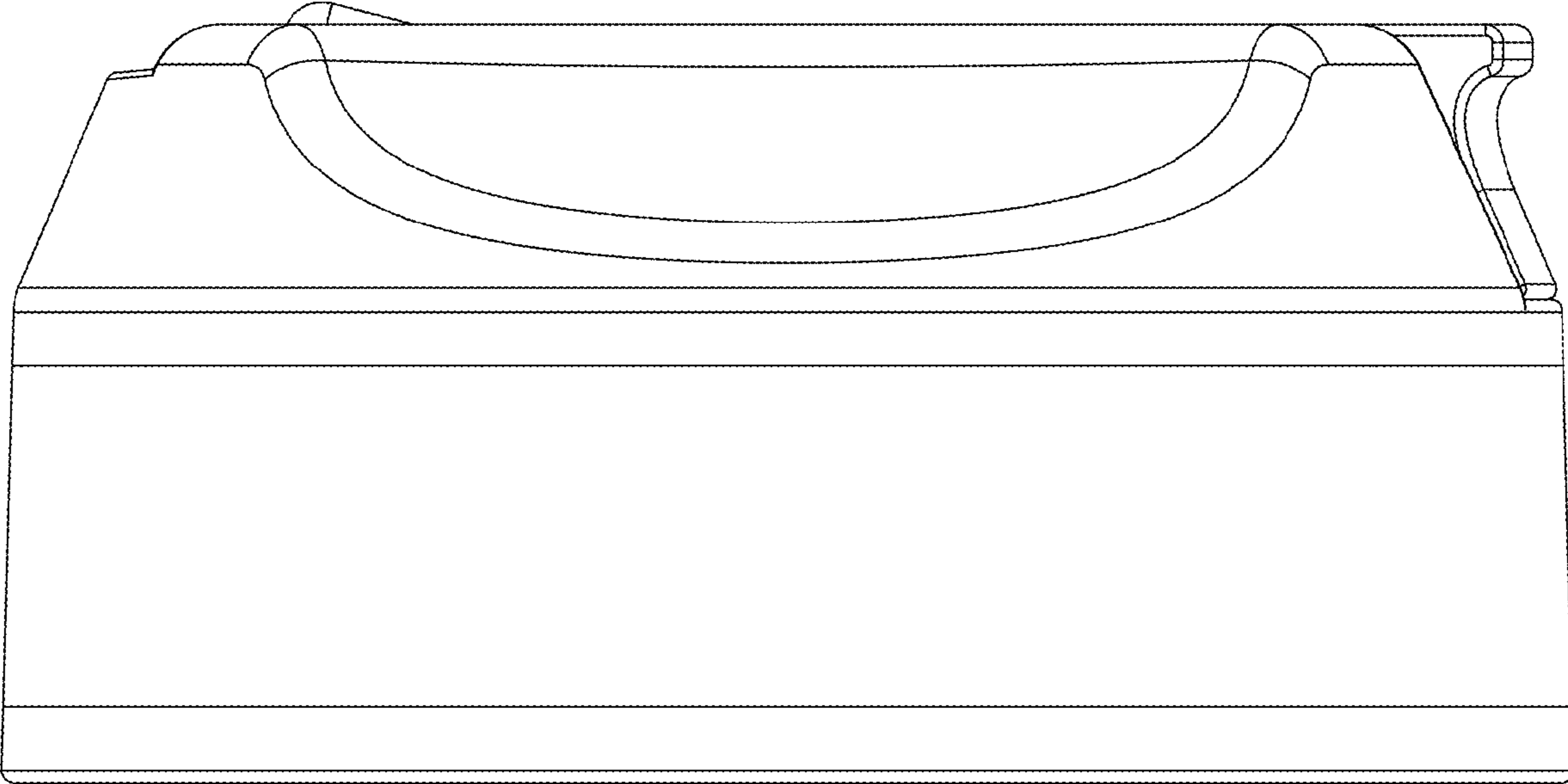


FIG. 4

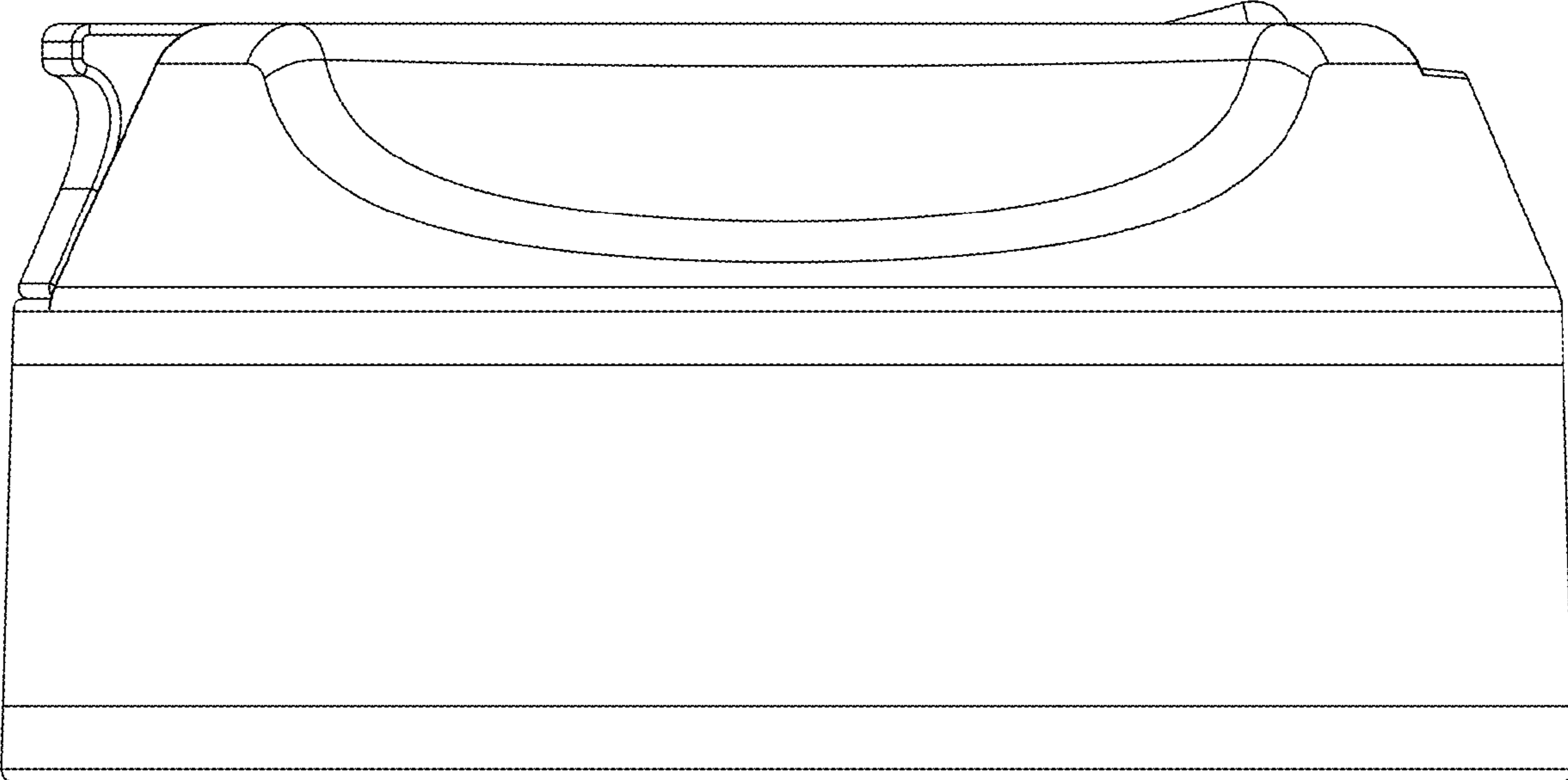


FIG. 5

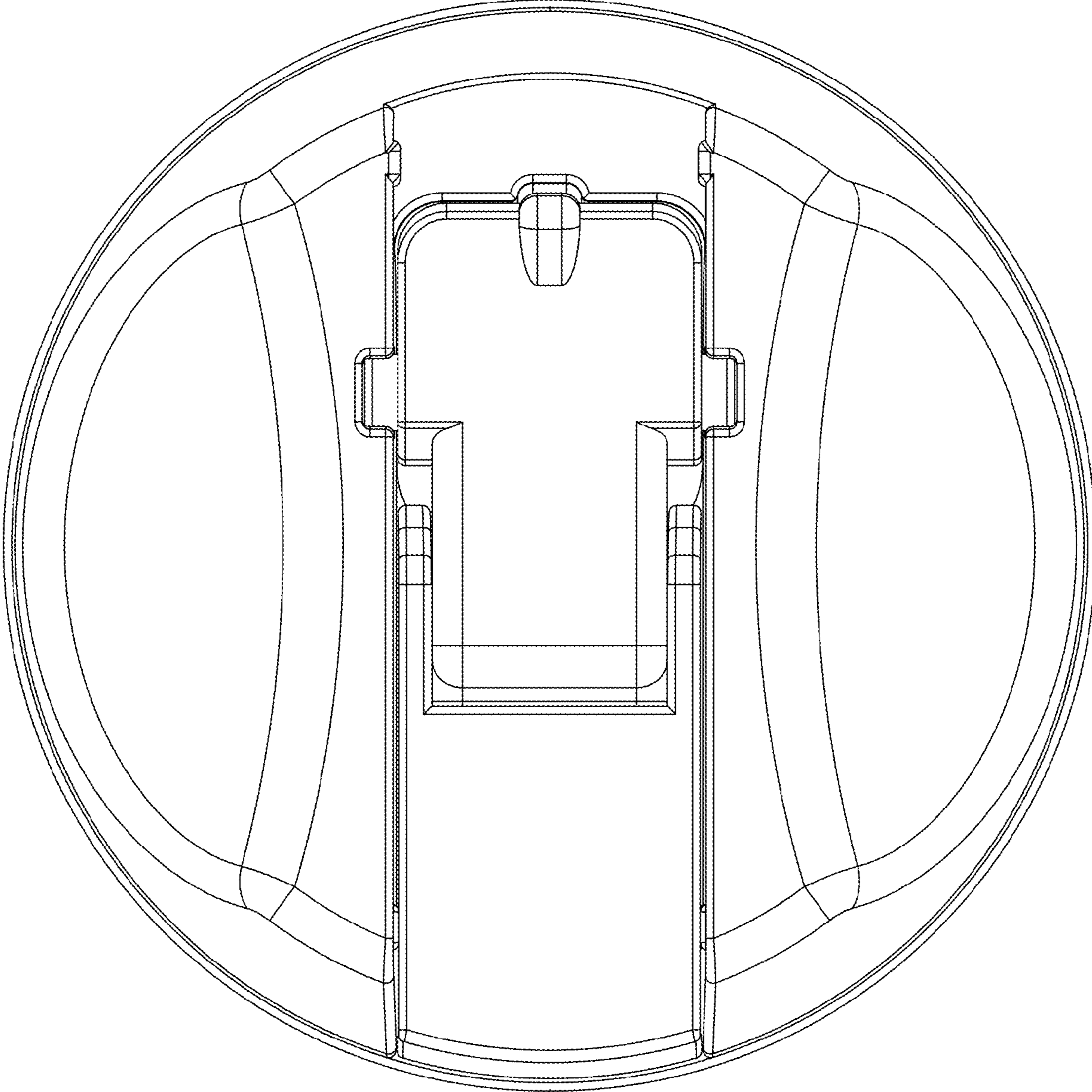


FIG. 6

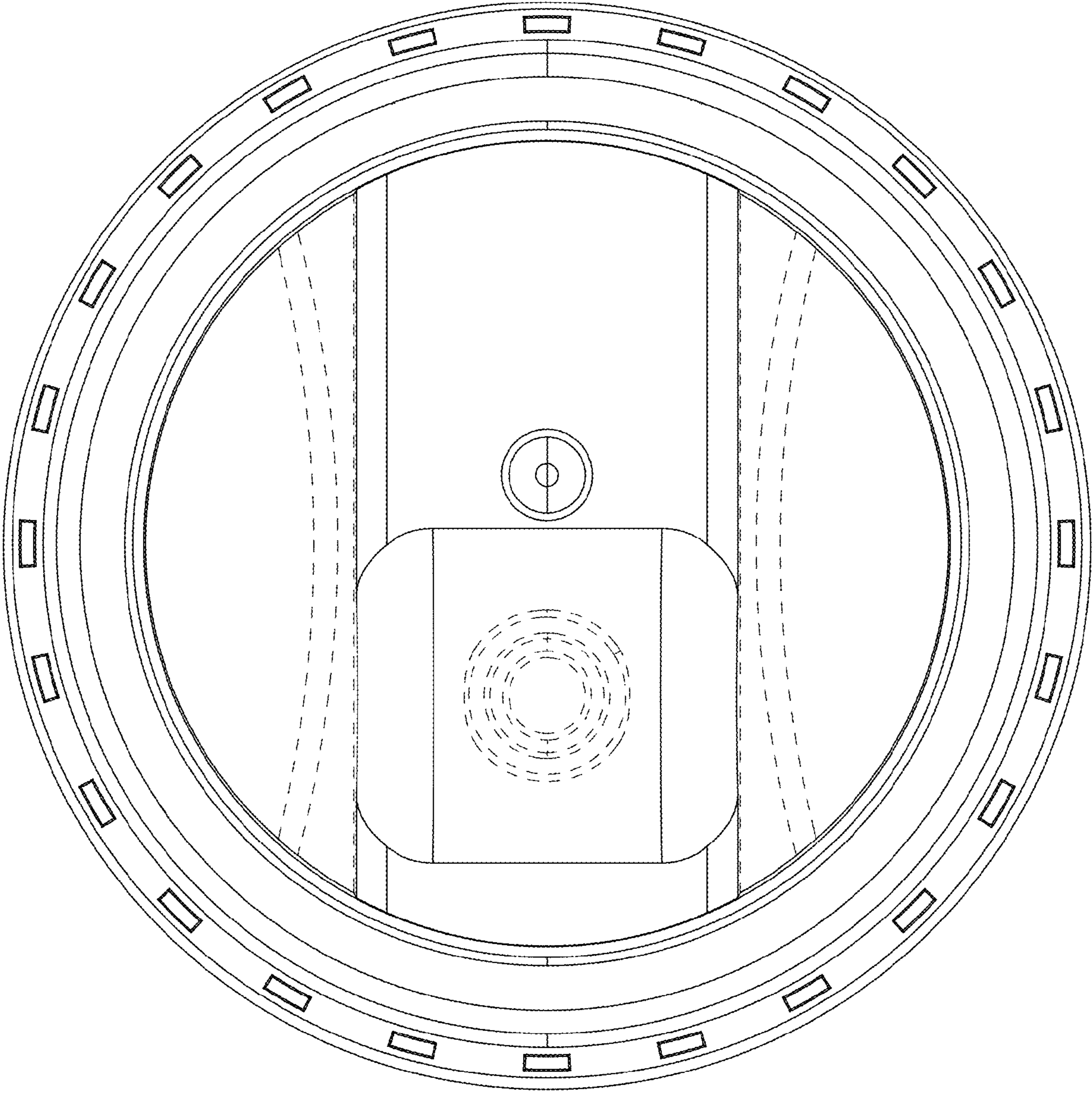


FIG. 7

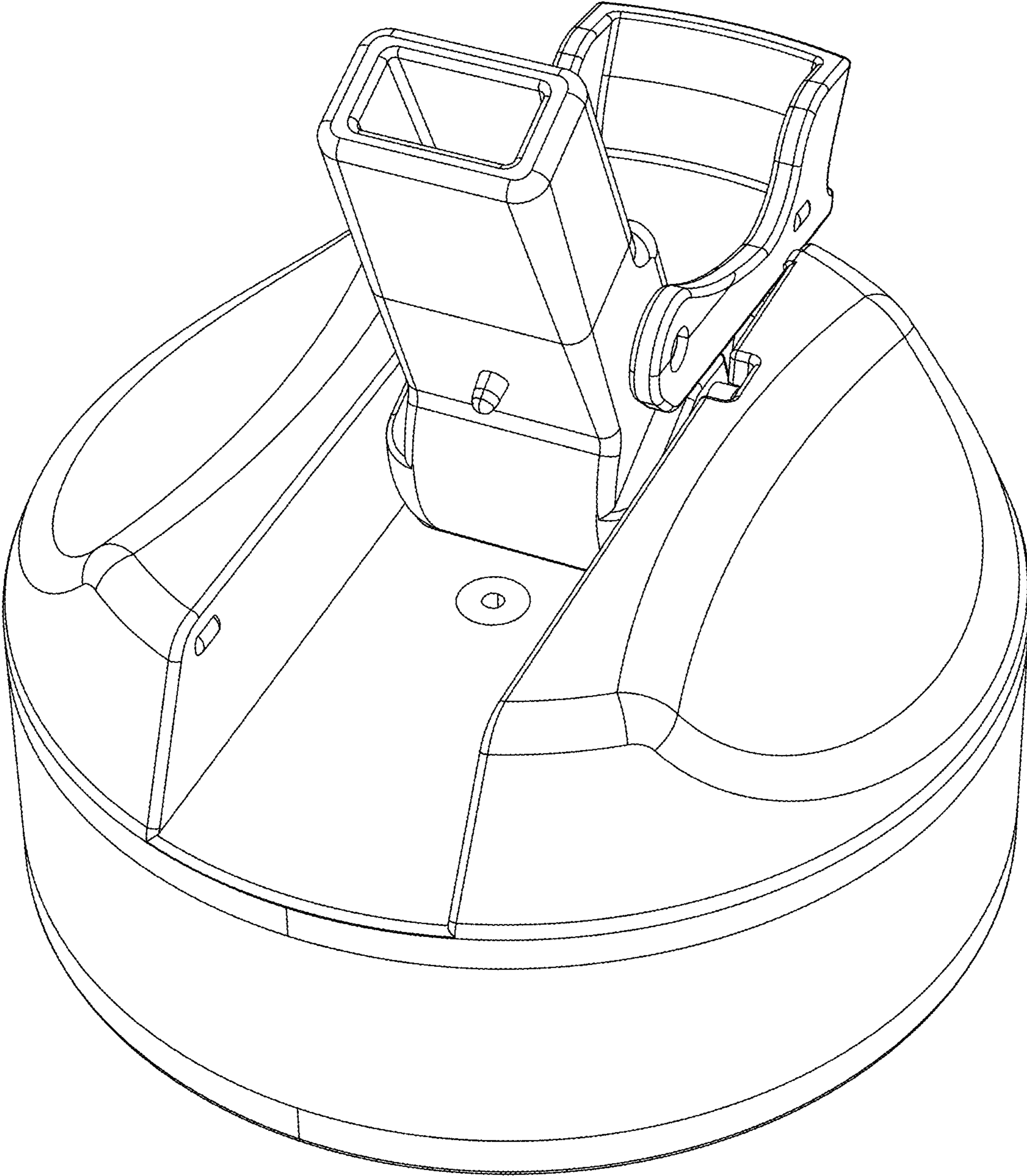


FIG. 8

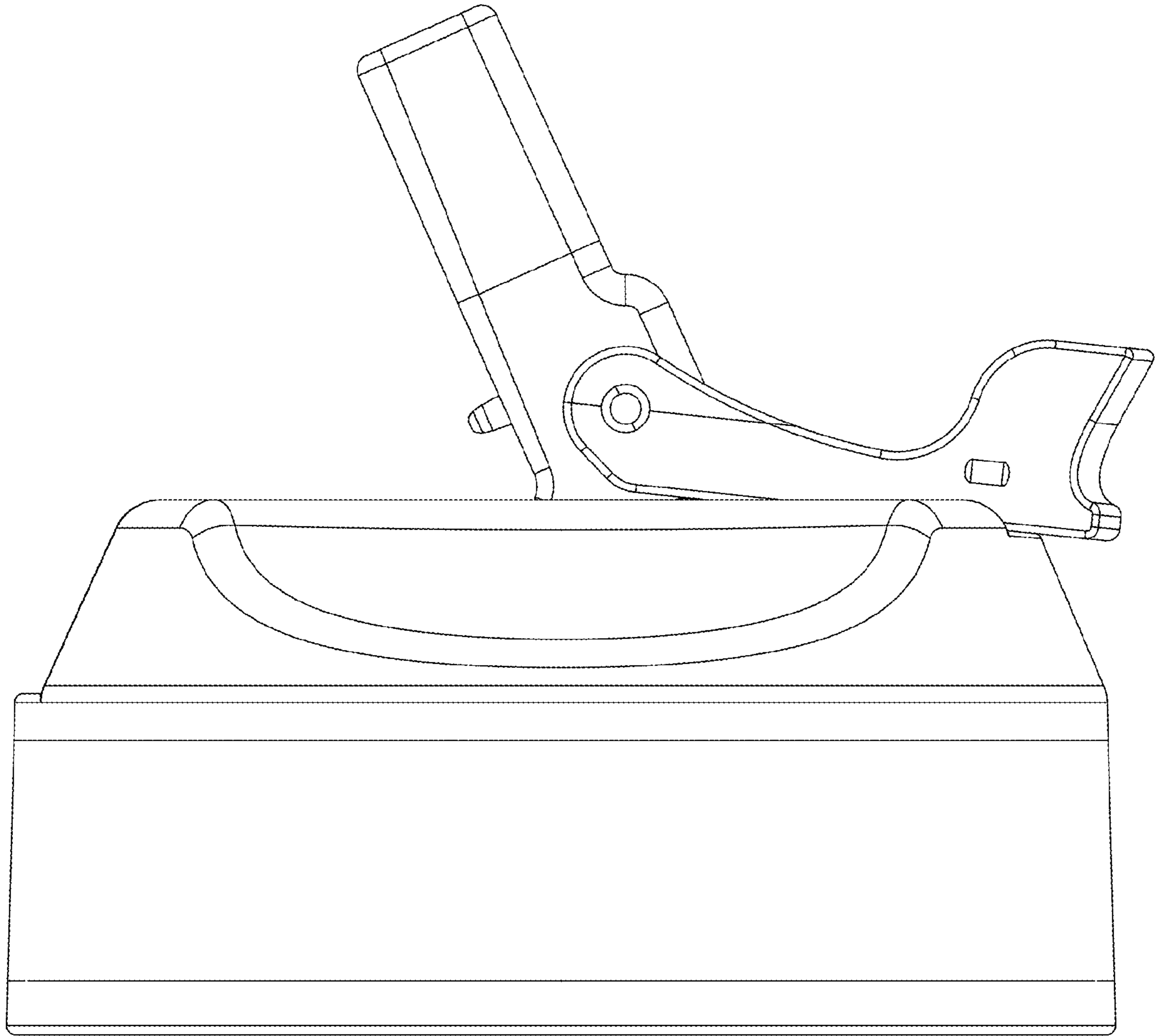


FIG. 9

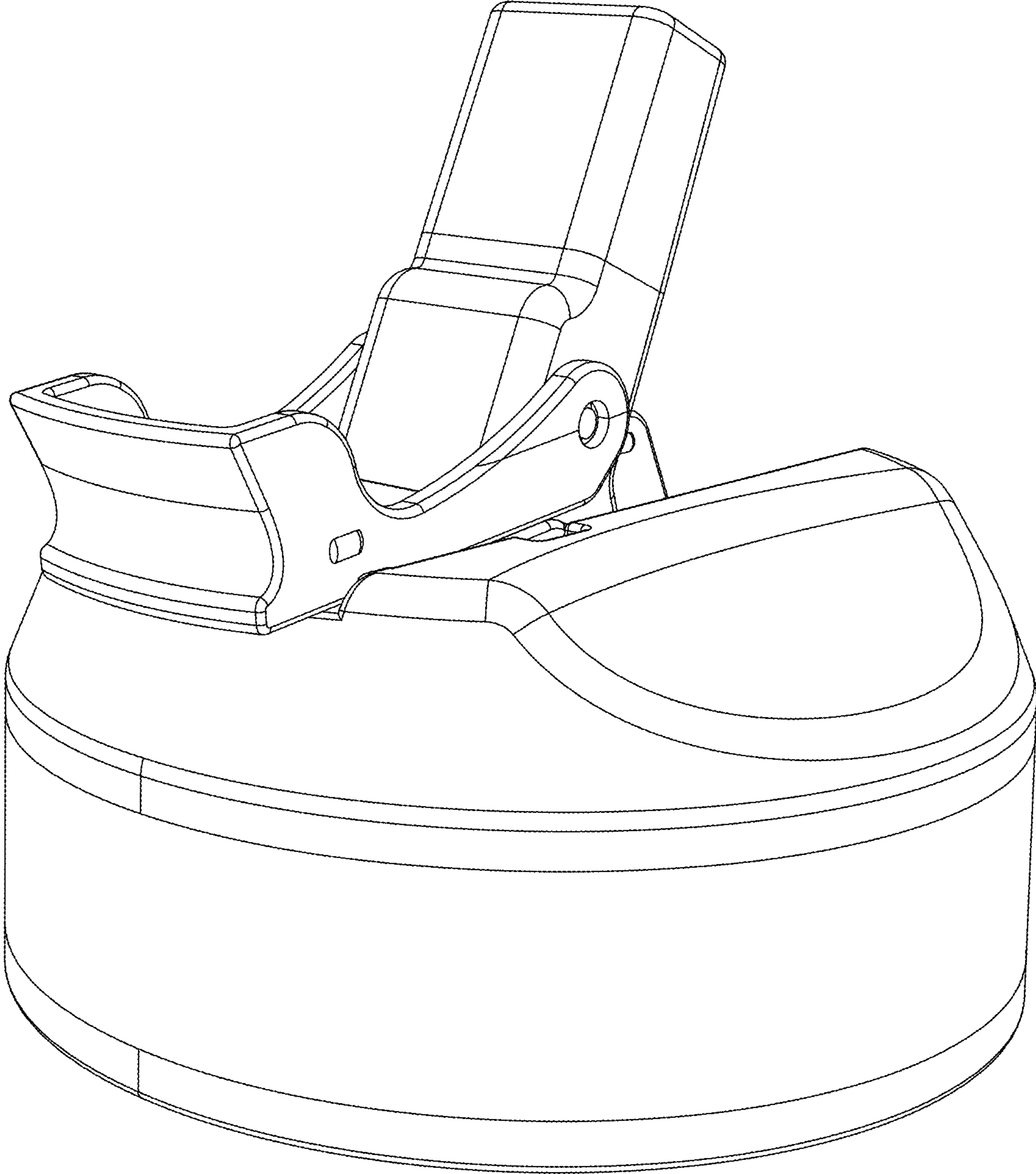


FIG. 10

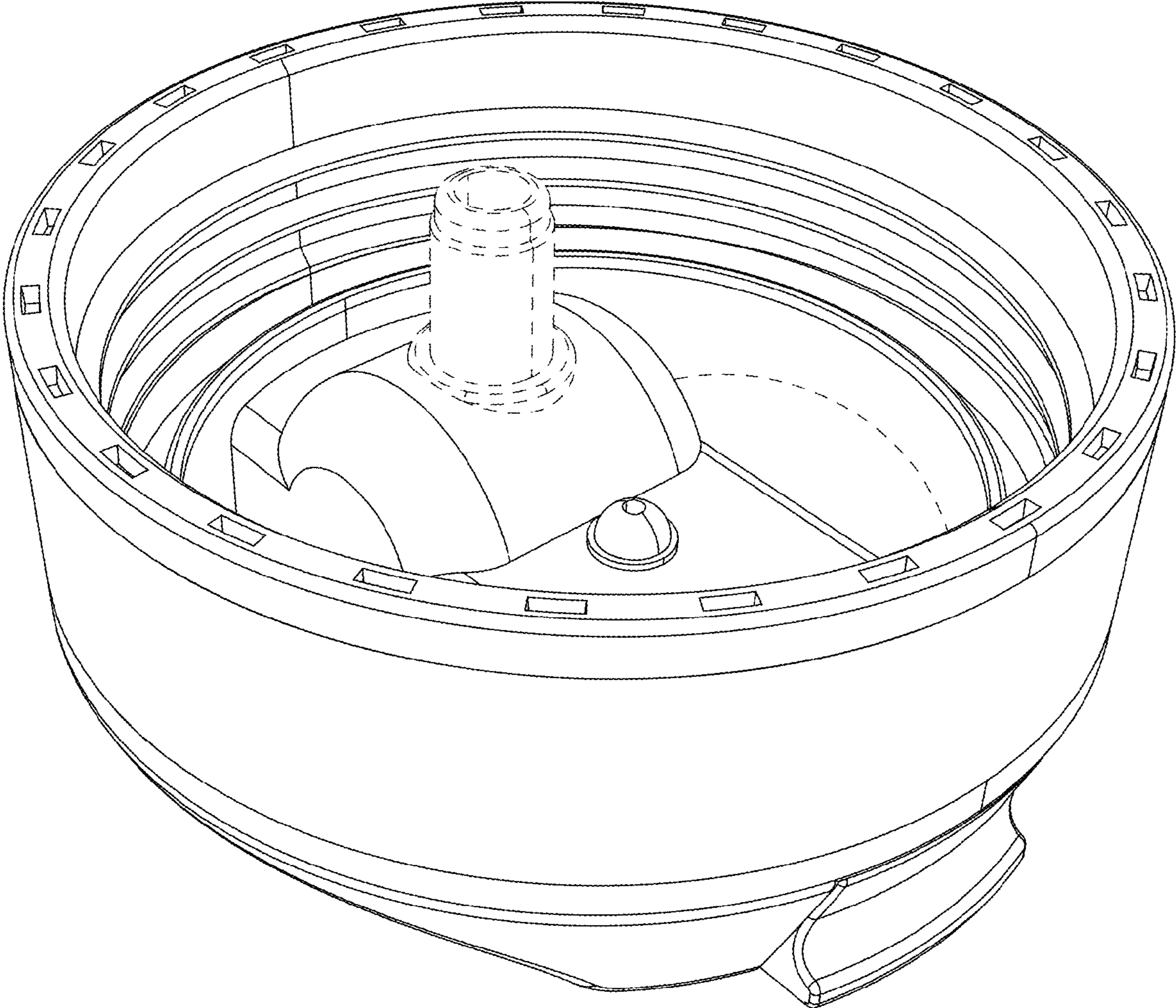


FIG. 11