



US00D902649S

(12) **United States Design Patent** (10) **Patent No.:** **US D902,649 S**
Farsai (45) **Date of Patent:** **** Nov. 24, 2020**

(54) **LID FOR A BEVERAGE CONTAINER**

(71) Applicant: **ENI-JR286, Inc.**, Torrance, CA (US)

(72) Inventor: **Jason Farsai**, Long Beach, CA (US)

(73) Assignee: **ENI-JR286, INC.**, Torrance, CA (US)

(**) Term: **15 Years**

(21) Appl. No.: **29/696,086**

(22) Filed: **Jun. 25, 2019**

Related U.S. Application Data

(62) Division of application No. 29/635,794, filed on Feb. 2, 2018, now Pat. No. Des. 871,833, which is a division of application No. 15/839,767, filed on Dec. 12, 2017.

(51) **LOC (12) Cl.** **07-01**

(52) **U.S. Cl.**

USPC **D7/392.1**; D7/396.2; D9/443; D9/454

(58) **Field of Classification Search**

USPC D7/507, 509, 510, 511, 392.1, 396.2, D7/400, 398, 213, 393, 394, 397, 514, D7/515, 389, 581, 401.1, 602, 600.1; 220/200, 703; D9/434, 435, 436, 447, D9/448, 635, 440, 439, 450, 446, 443, D9/454

CPC B65D 41/56; B65D 41/04; B65D 41/0414; A47J 43/27; A45F 3/16

See application file for complete search history.

(56) **References Cited**

U.S. PATENT DOCUMENTS

5,150,815 A 9/1992 Saklad
D587,069 S * 2/2009 Bodum D7/510
D657,618 S 4/2012 Wahl
8,191,727 B2 6/2012 Davies et al.
D670,134 S 11/2012 Di Lollo

(Continued)

Primary Examiner — Jae Liang

(74) *Attorney, Agent, or Firm* — Davis Wright Tremaine LLP; George C. Rondeau, Jr.

(57) **CLAIM**

The ornamental design for a lid for a beverage container, as shown and described.

DESCRIPTION

FIG. 1 is a first embodiment of a top perspective view of a lid for a beverage container showing my new design.

FIG. 2 is a bottom perspective view thereof.

FIG. 3 is a front elevational view thereof.

FIG. 4 is a rear elevational view thereof.

FIG. 5 is a right side elevational view thereof.

FIG. 6 is a left side elevational view thereof.

FIG. 7 is a top plan view thereof.

FIG. 8 is a bottom plan view thereof.

FIG. 9 is a top perspective view of a second embodiment thereof.

FIG. 10 is a bottom perspective view thereof.

FIG. 11 is a front elevational view thereof.

FIG. 12 is a rear elevational view thereof.

FIG. 13 is a right side elevational view thereof.

FIG. 14 is a left side elevational view thereof.

FIG. 15 is a top plan view thereof.

FIG. 16 is a bottom plan view thereof.

FIG. 17 is a top perspective view of a third embodiment thereof.

FIG. 18 is a bottom perspective view thereof.

FIG. 19 is a front elevational view thereof.

FIG. 20 is a rear elevational view thereof.

FIG. 21 is a right side elevational view thereof.

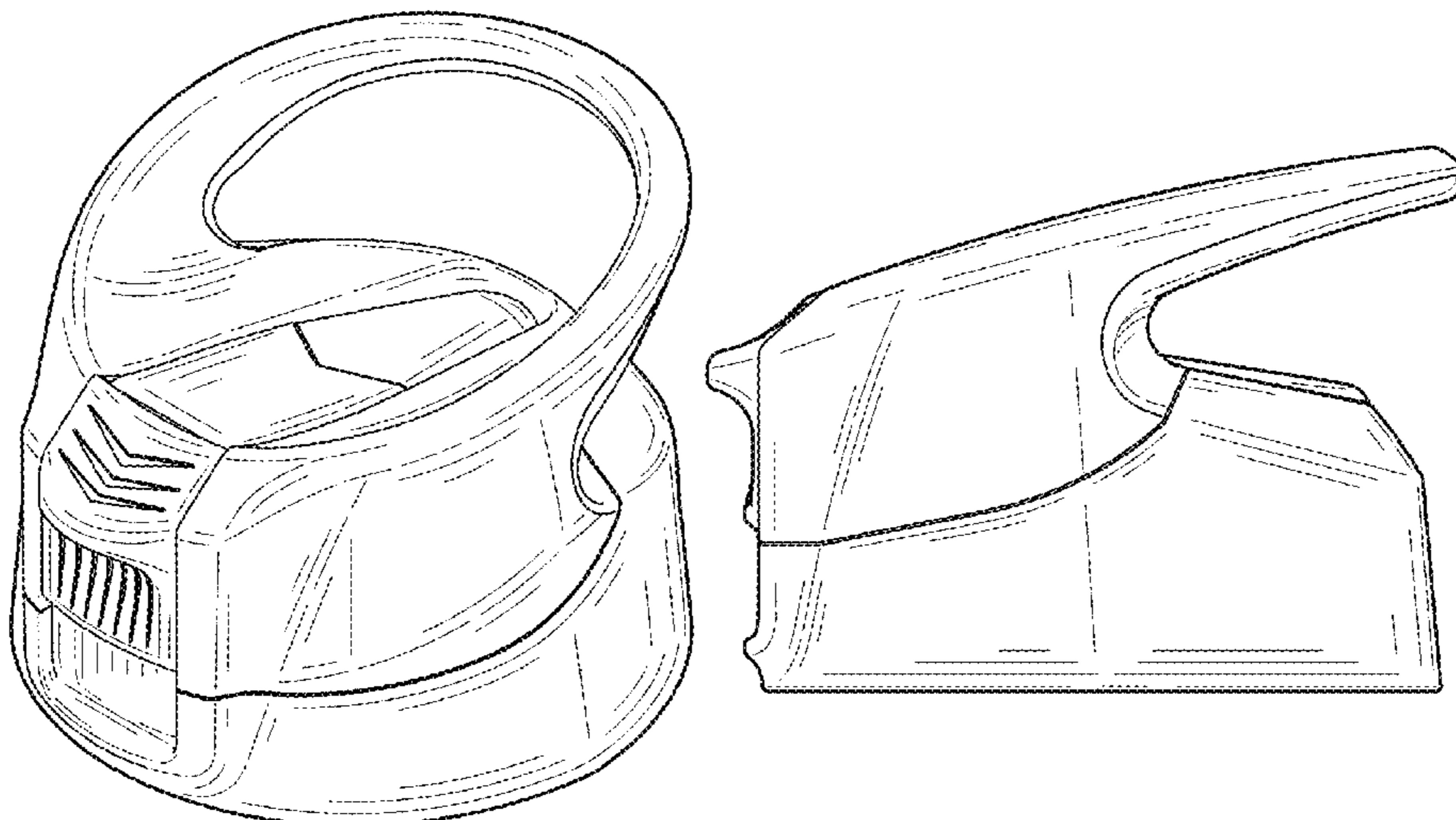
FIG. 22 is a left side elevational view thereof.

FIG. 23 is a top plan view thereof; and,

FIG. 24 is a bottom plan view thereof.

The broken lines depict portions of the lid for a beverage container that form no part of the claimed design.

1 Claim, 12 Drawing Sheets



(56)

References Cited

U.S. PATENT DOCUMENTS

D679,996 S * 4/2013 Kersten D9/443
D679,997 S * 4/2013 Kersten D9/443
D682,034 S * 5/2013 El-Saden D7/510
D683,581 S 6/2013 Archer
D700,014 S 2/2014 Zeanah
D702,079 S * 4/2014 Hung D7/392.1
D707,124 S 6/2014 Blain et al.
D724,895 S * 3/2015 Kawase D7/510
D752,916 S * 4/2016 Goodwin D7/392.1
D760,080 S * 6/2016 Gorbald D9/443
D767,336 S * 9/2016 Waggoner D7/507
D768,491 S * 10/2016 Sorensen D7/392.1
9,463,911 B2 10/2016 Choi et al.
D776,483 S * 1/2017 Chitayat D7/507
D781,104 S * 3/2017 Cerasani D7/300.1
D787,886 S * 5/2017 Cerasani D7/300.1
D788,529 S * 6/2017 Chitayat D7/510
9,770,125 B2 9/2017 Joy et al.
D812,419 S * 3/2018 Yao D7/392.1
D816,411 S * 5/2018 Stover D7/510
D817,084 S * 5/2018 Hammer D7/392.1
D817,094 S * 5/2018 Silsby D7/510
D828,097 S * 9/2018 Silsby D7/523
D843,174 S 3/2019 Zhang
D884,416 S * 5/2020 Meyers D7/392
D884,419 S * 5/2020 Backs D7/396.2
2014/0353275 A1 * 12/2014 Hung B65D 47/305
215/311
2015/0351568 A1 12/2015 Blain et al.
2017/0190481 A1 7/2017 Leimone et al.
2017/0208974 A1 7/2017 Zhang et al.

* cited by examiner

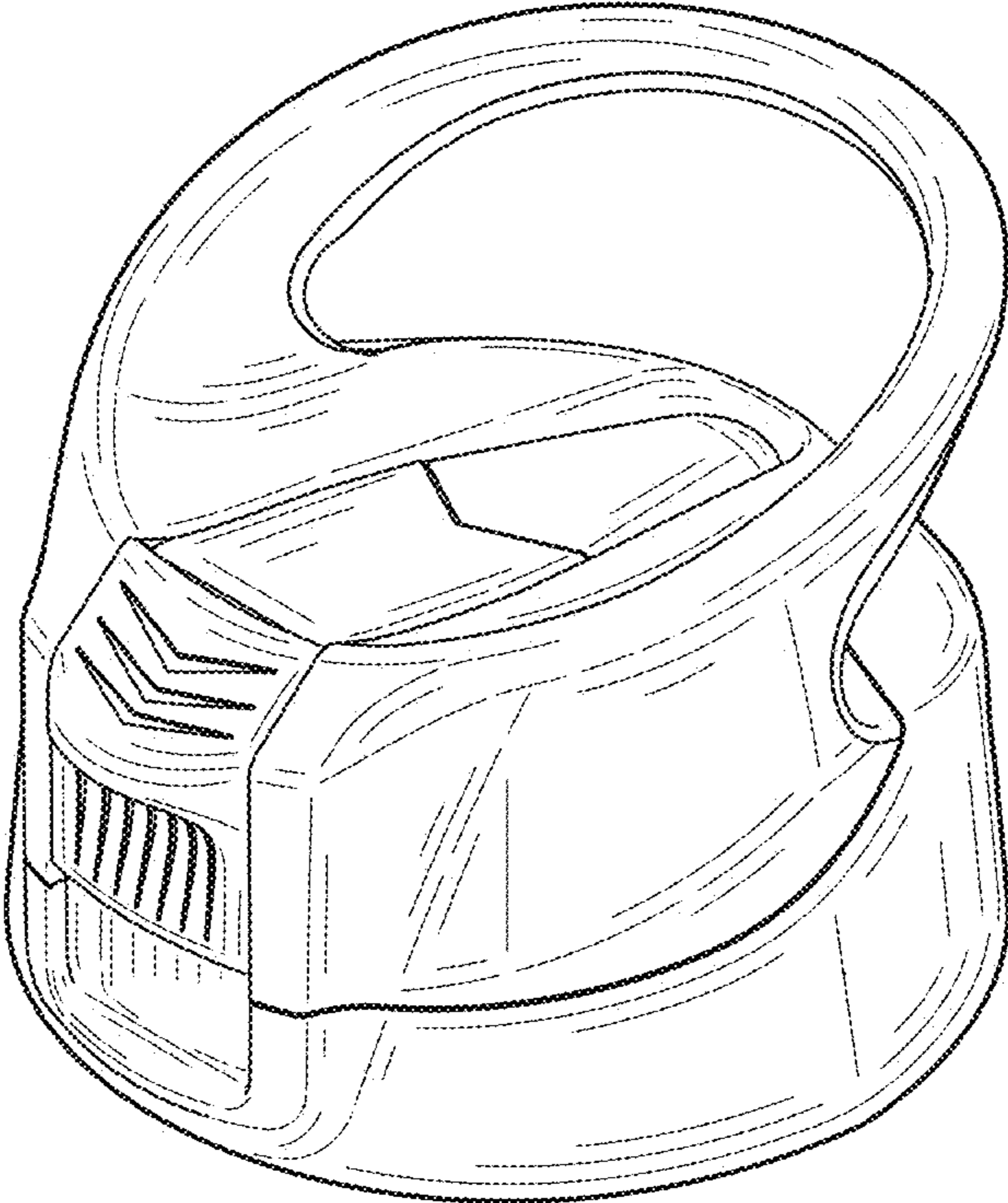


FIG. 1

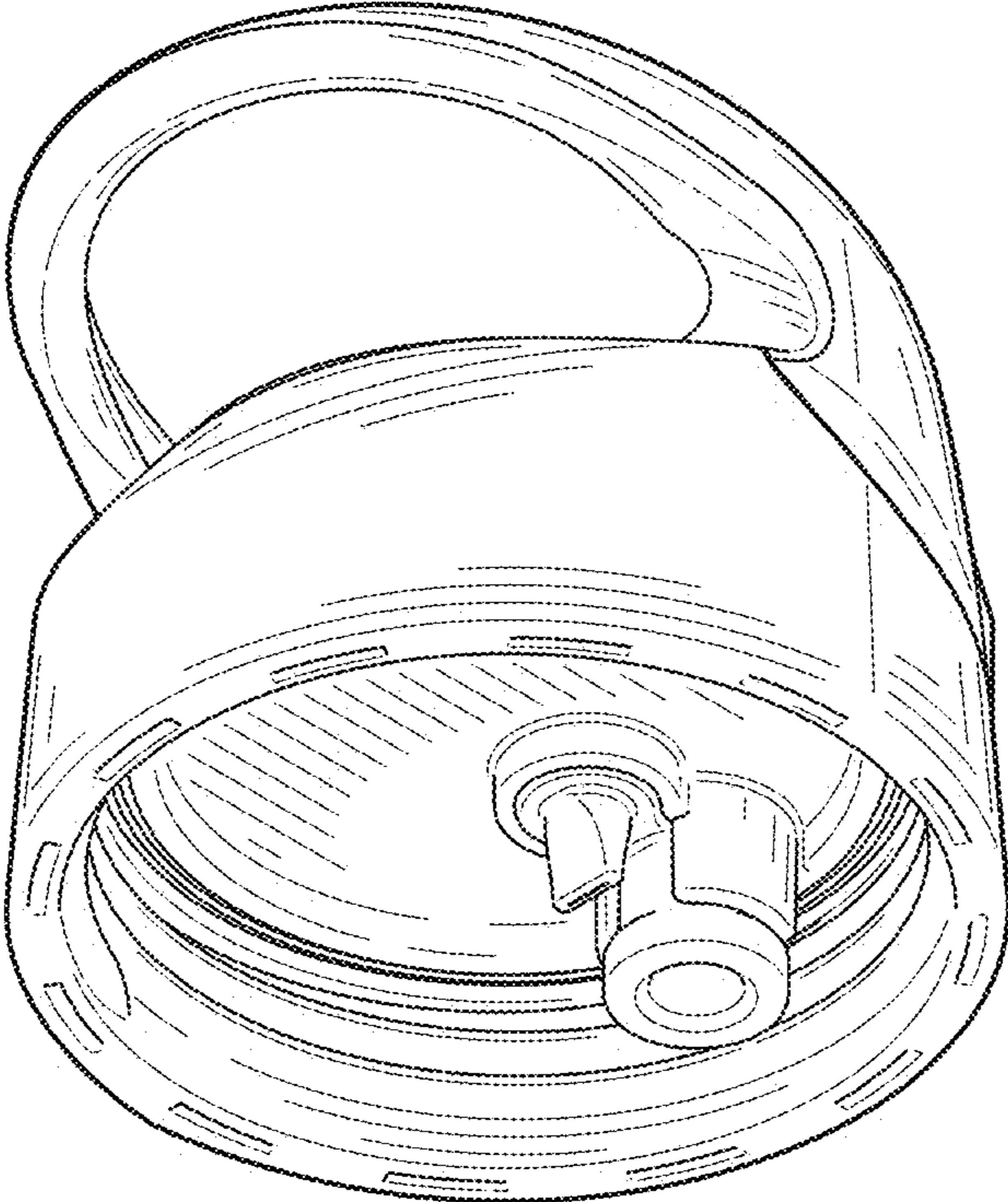


FIG. 2

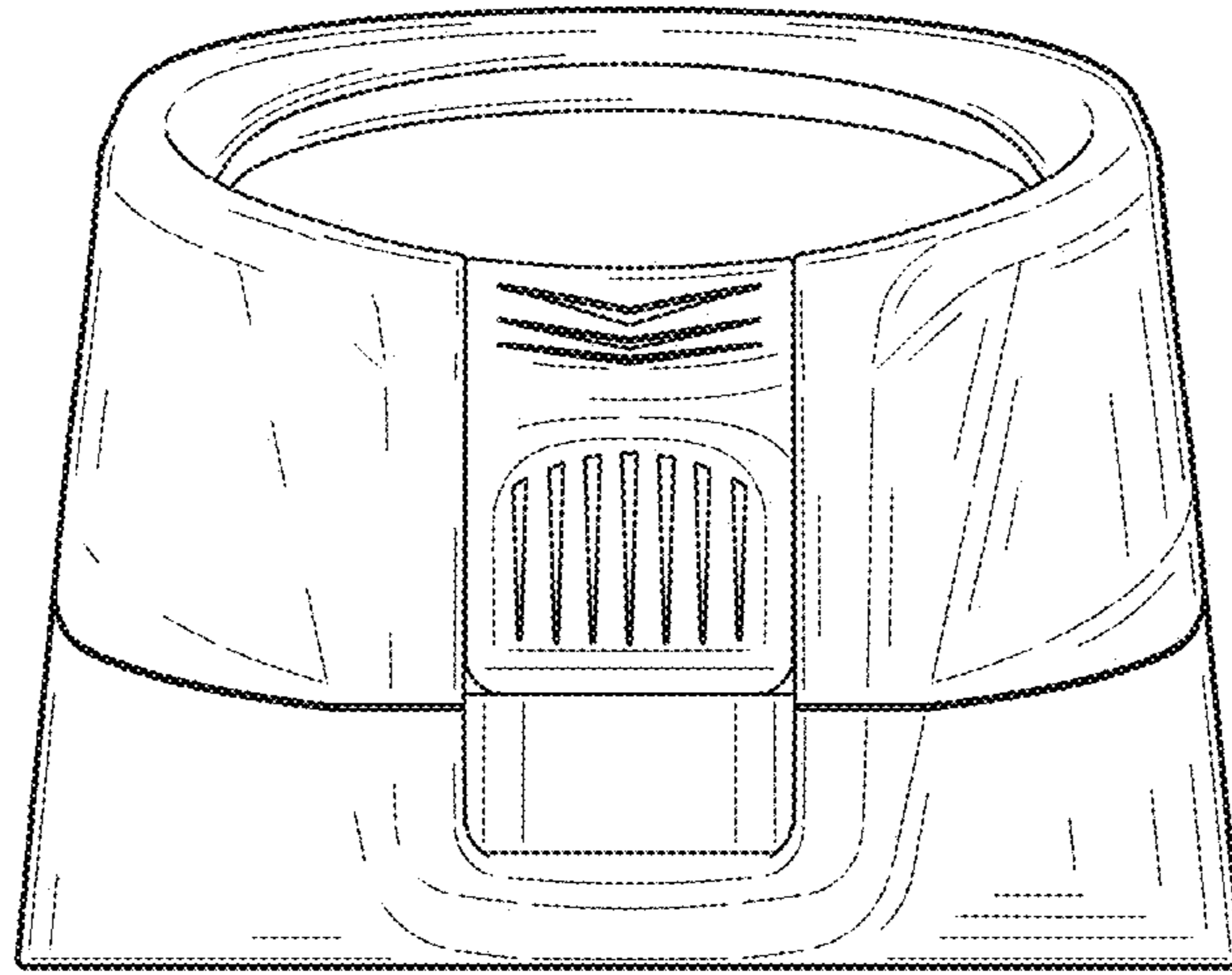


FIG. 3

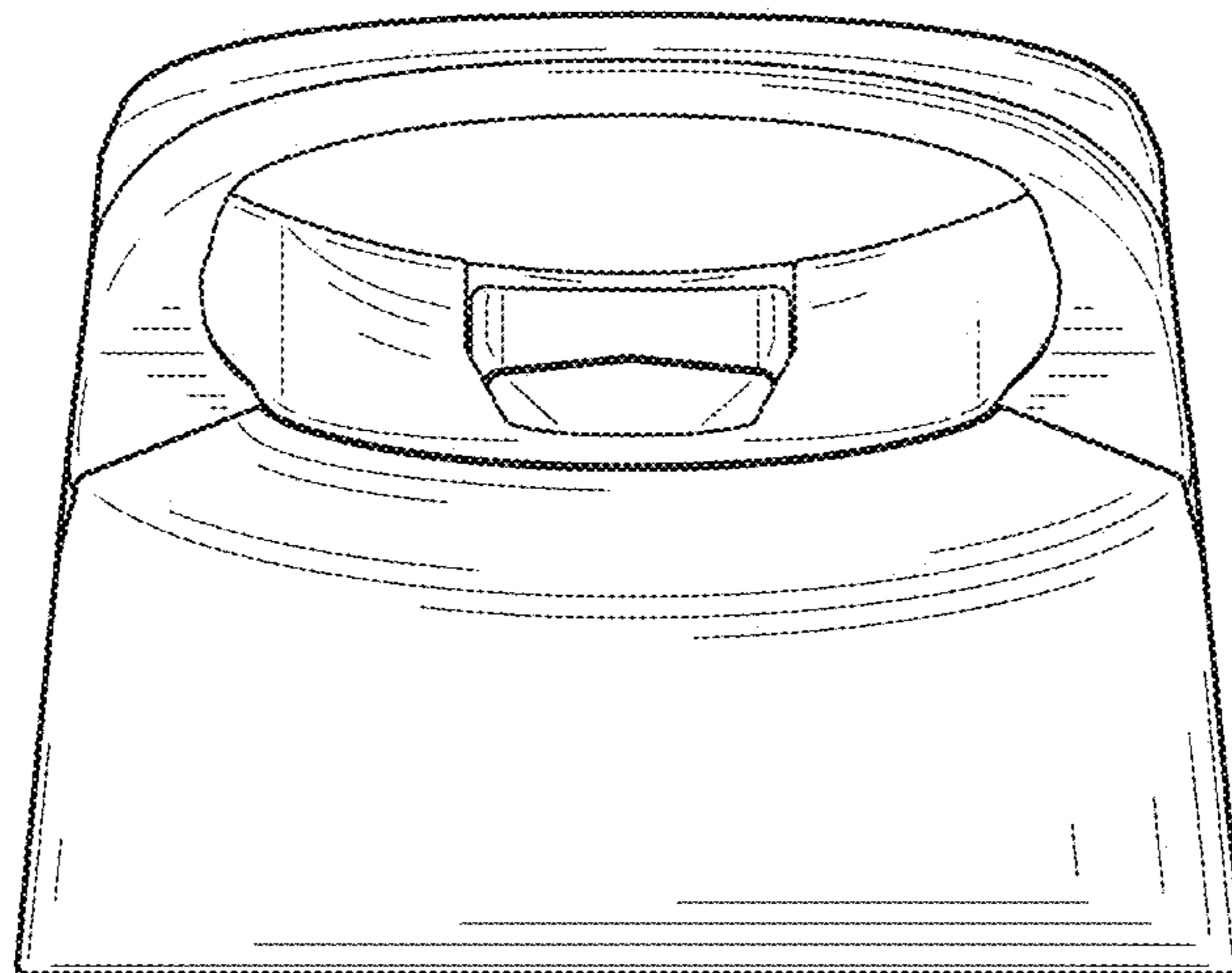


FIG. 4

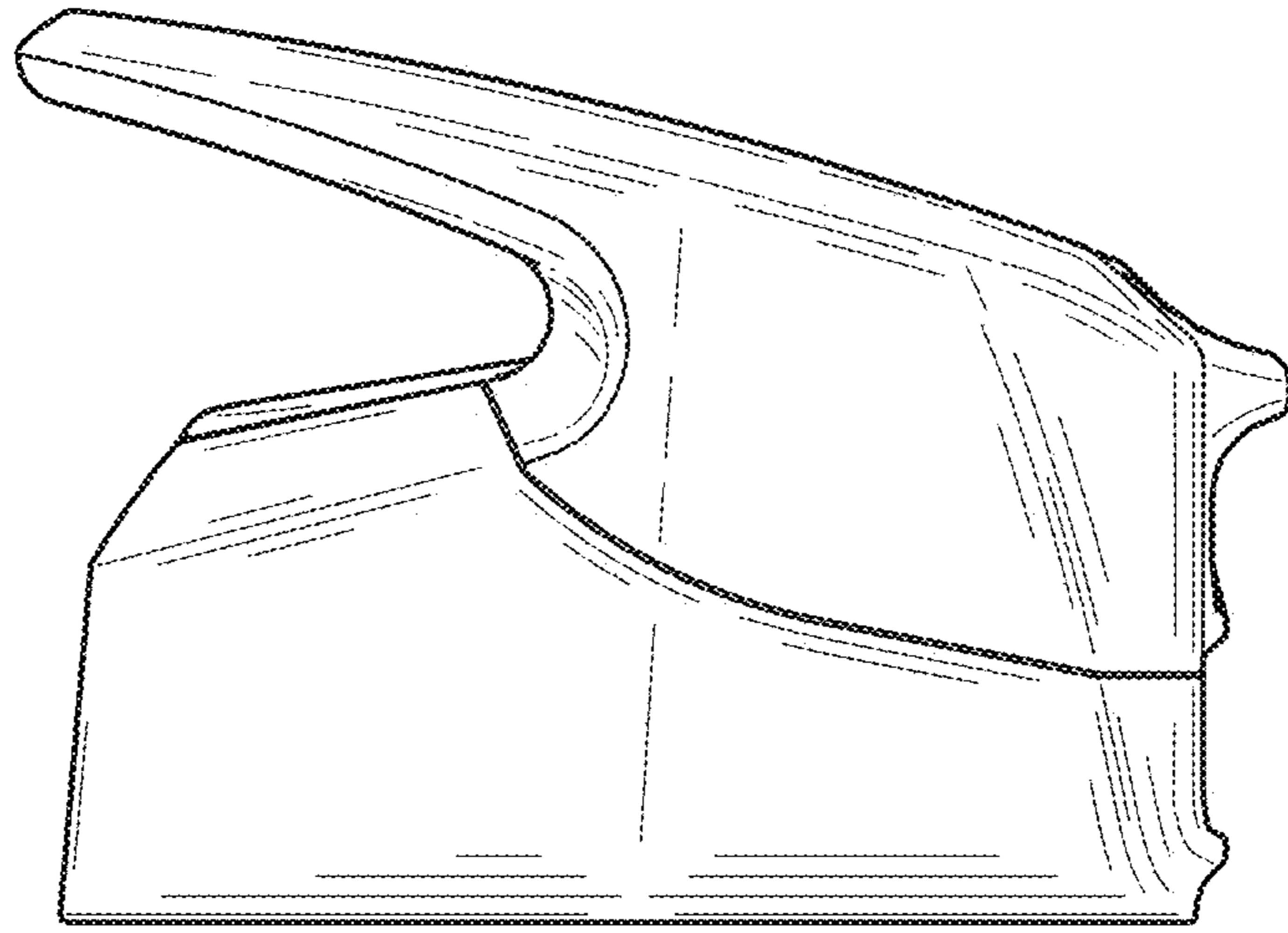


FIG. 5

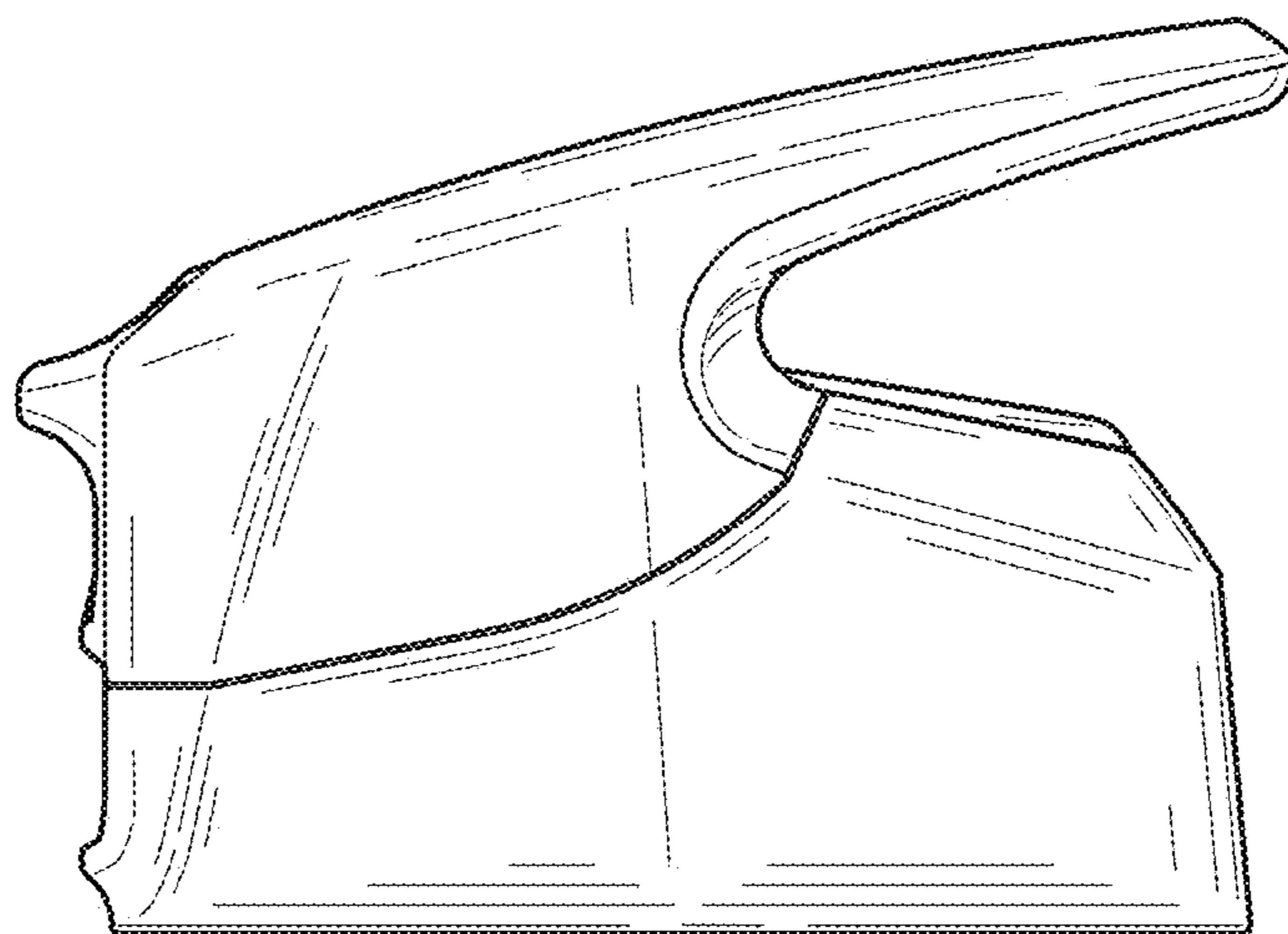


FIG. 6

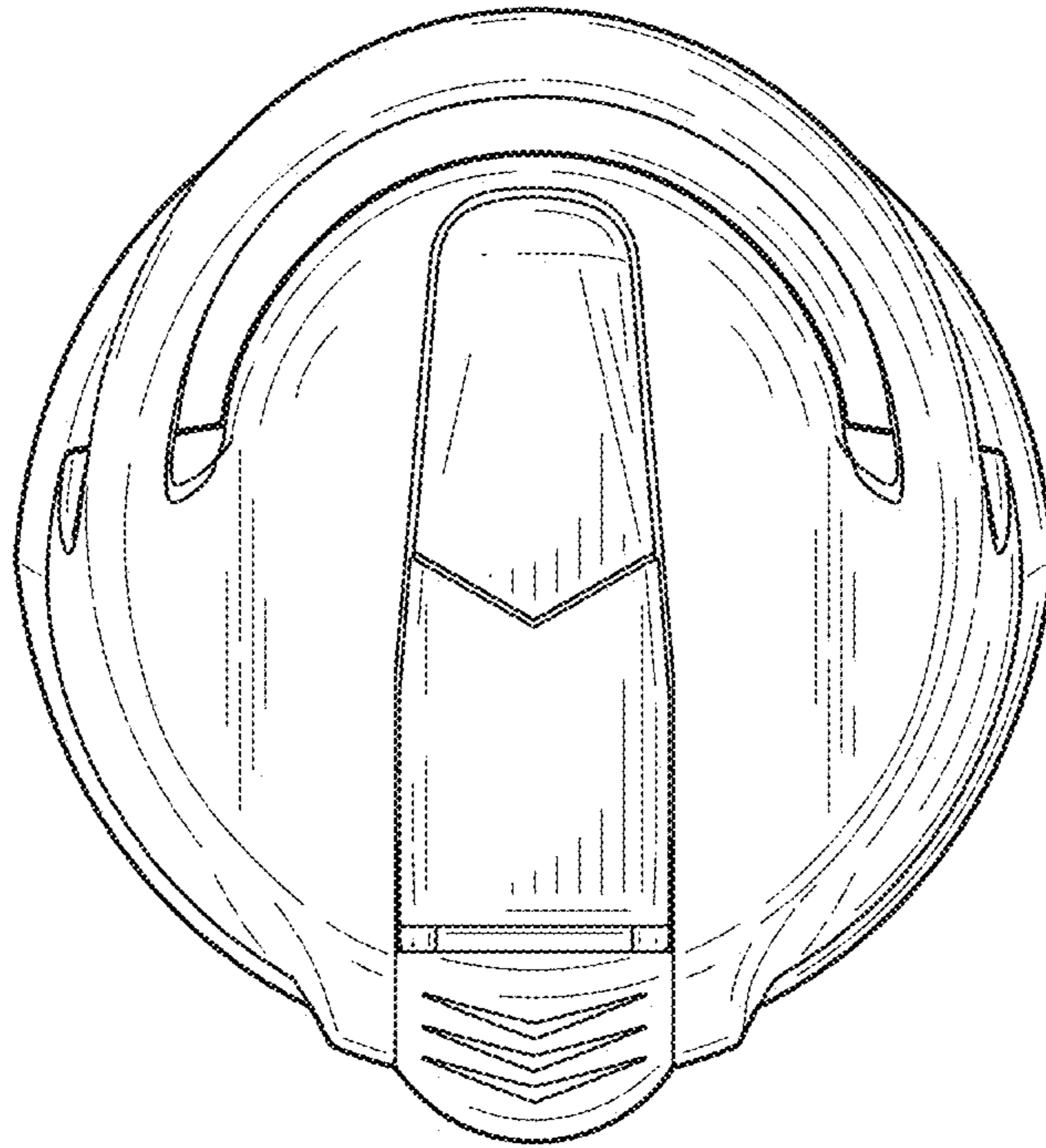


FIG. 7

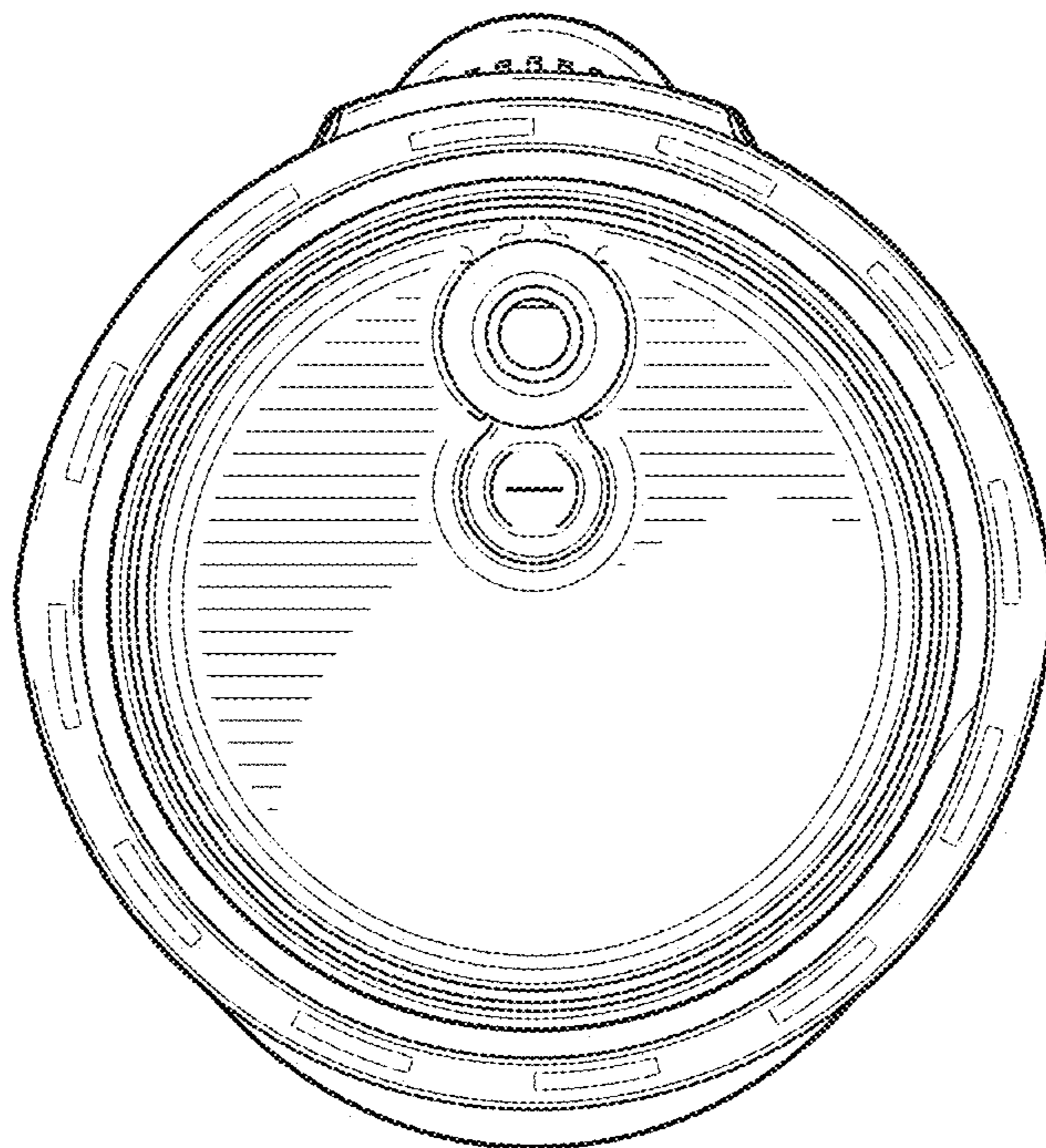


FIG. 8

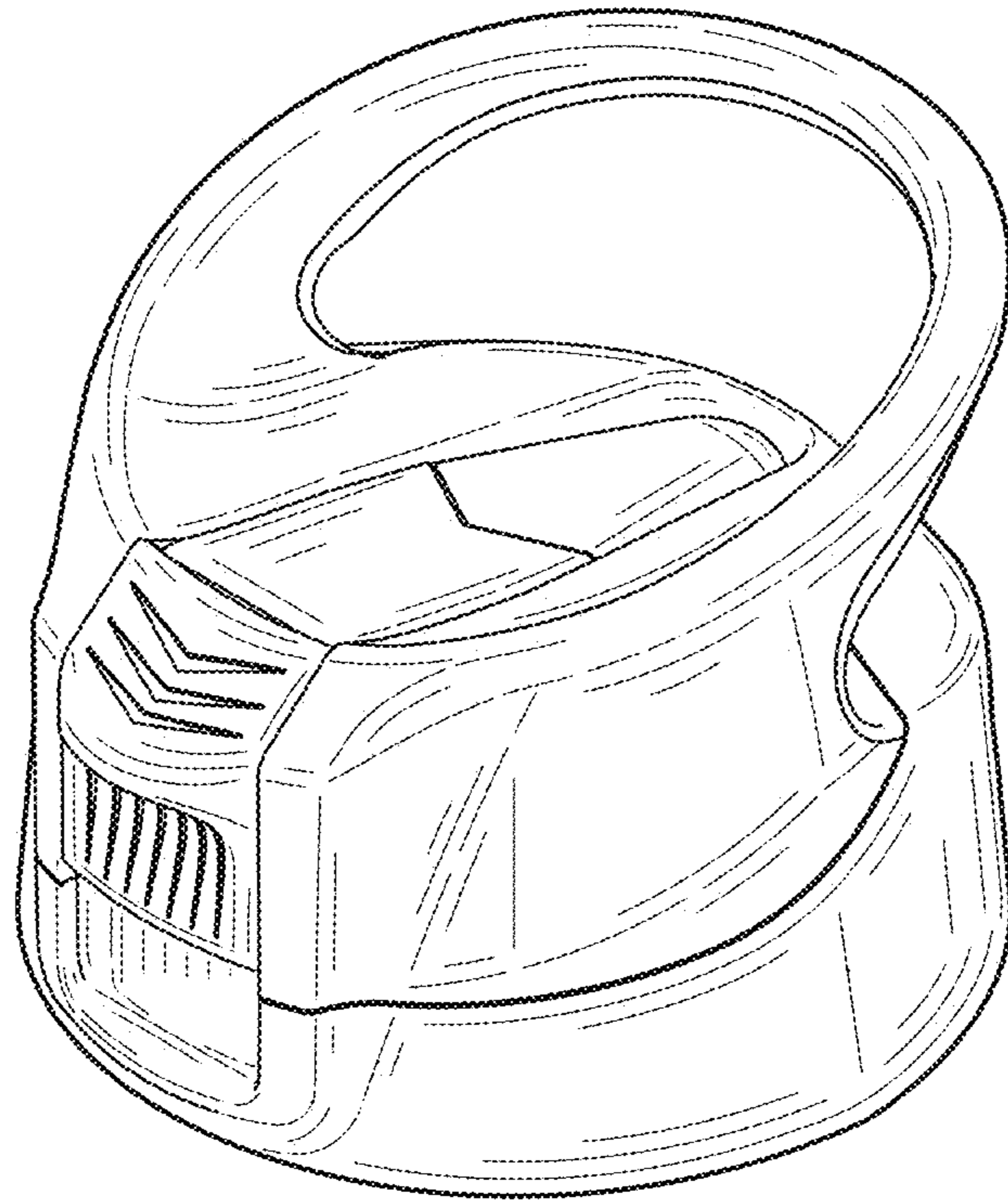


FIG. 9

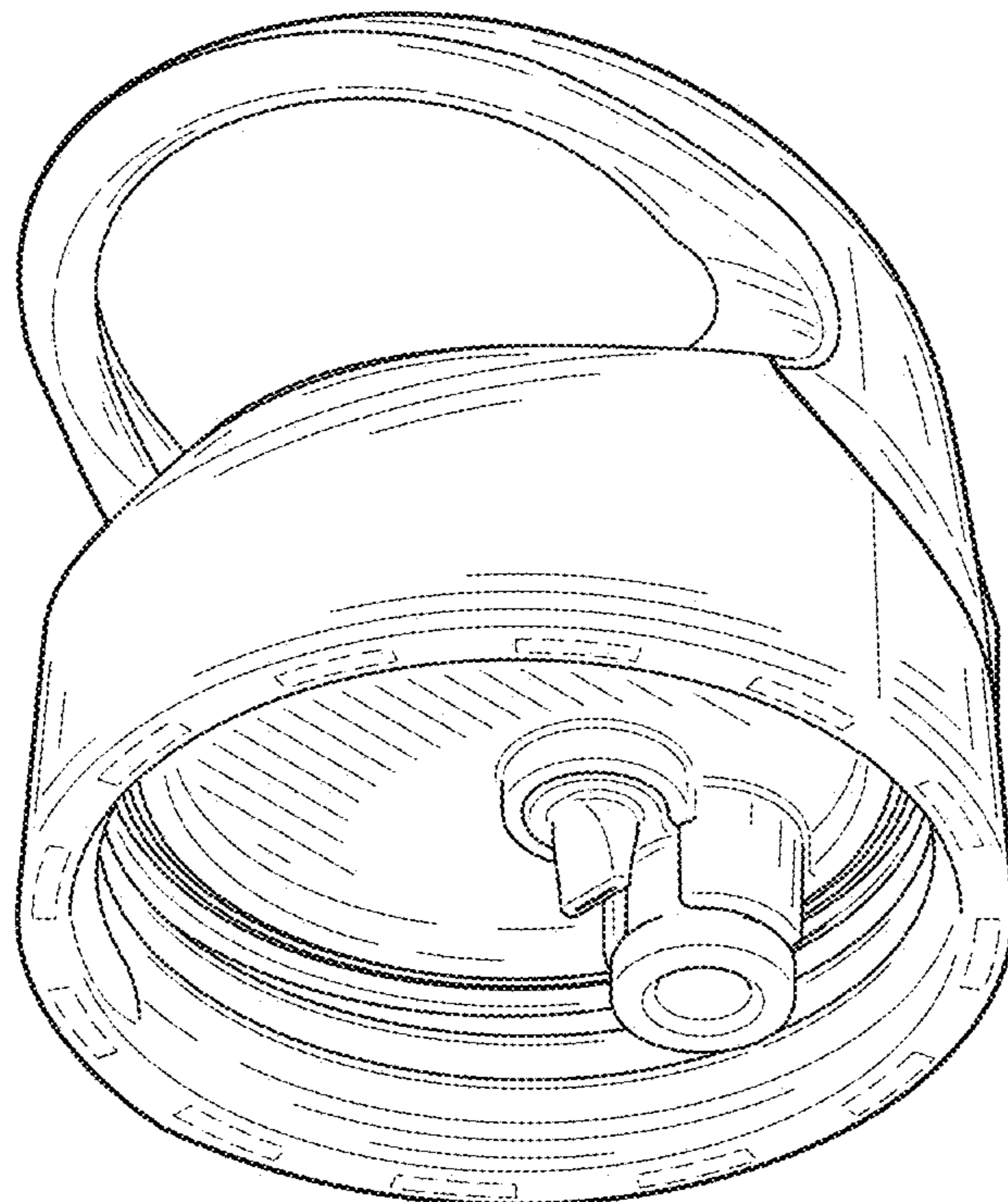


FIG. 10

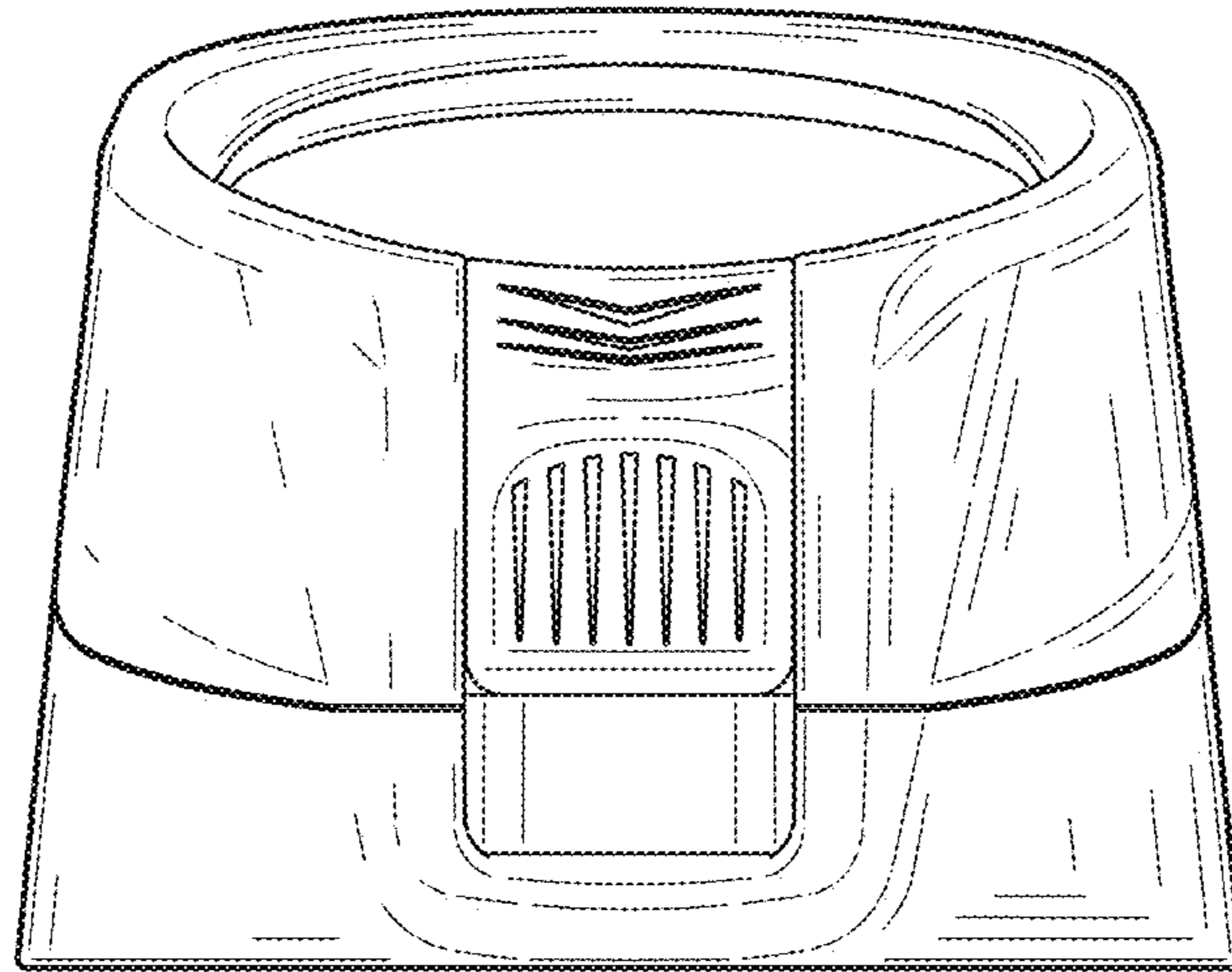


FIG. 11

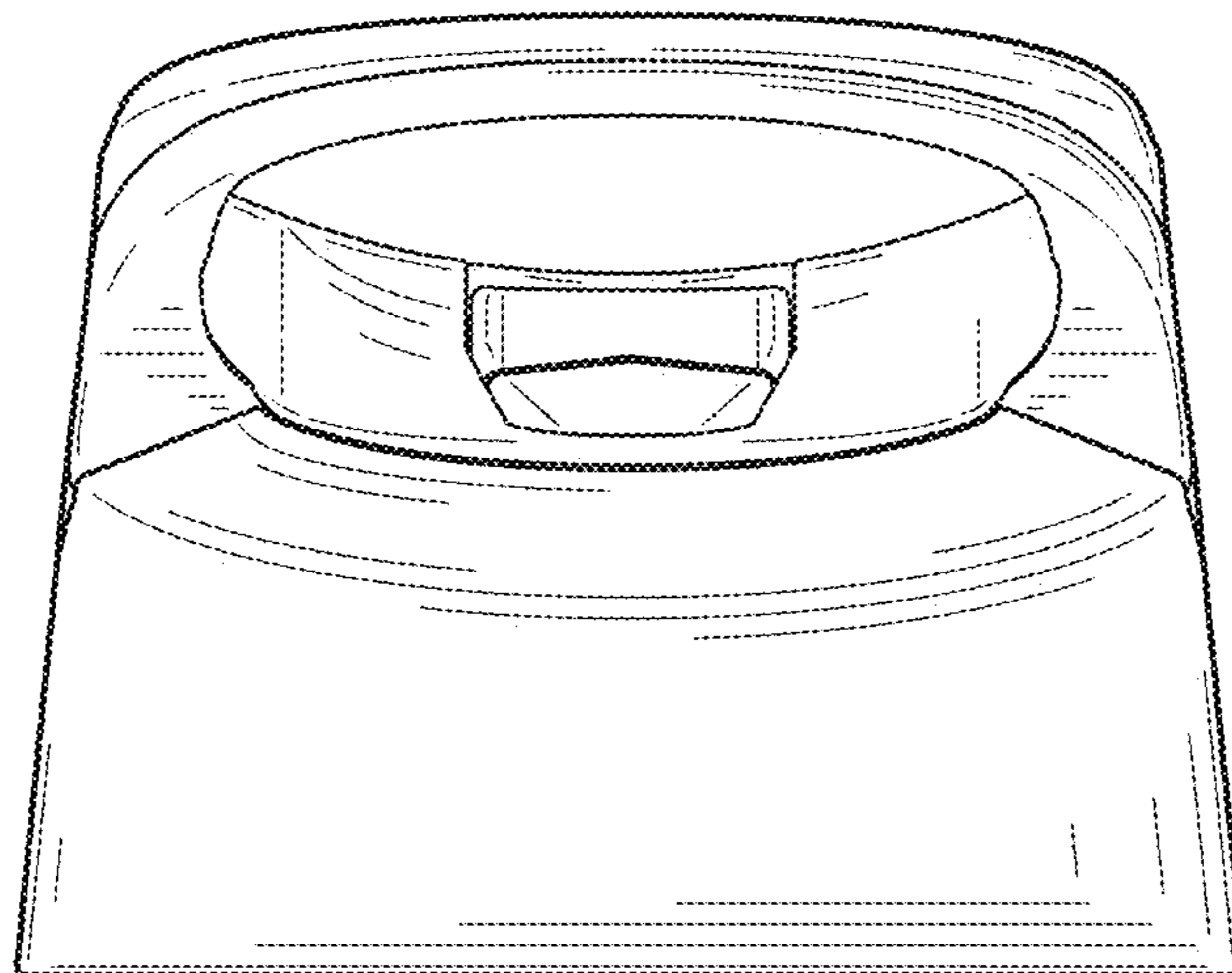


FIG. 12

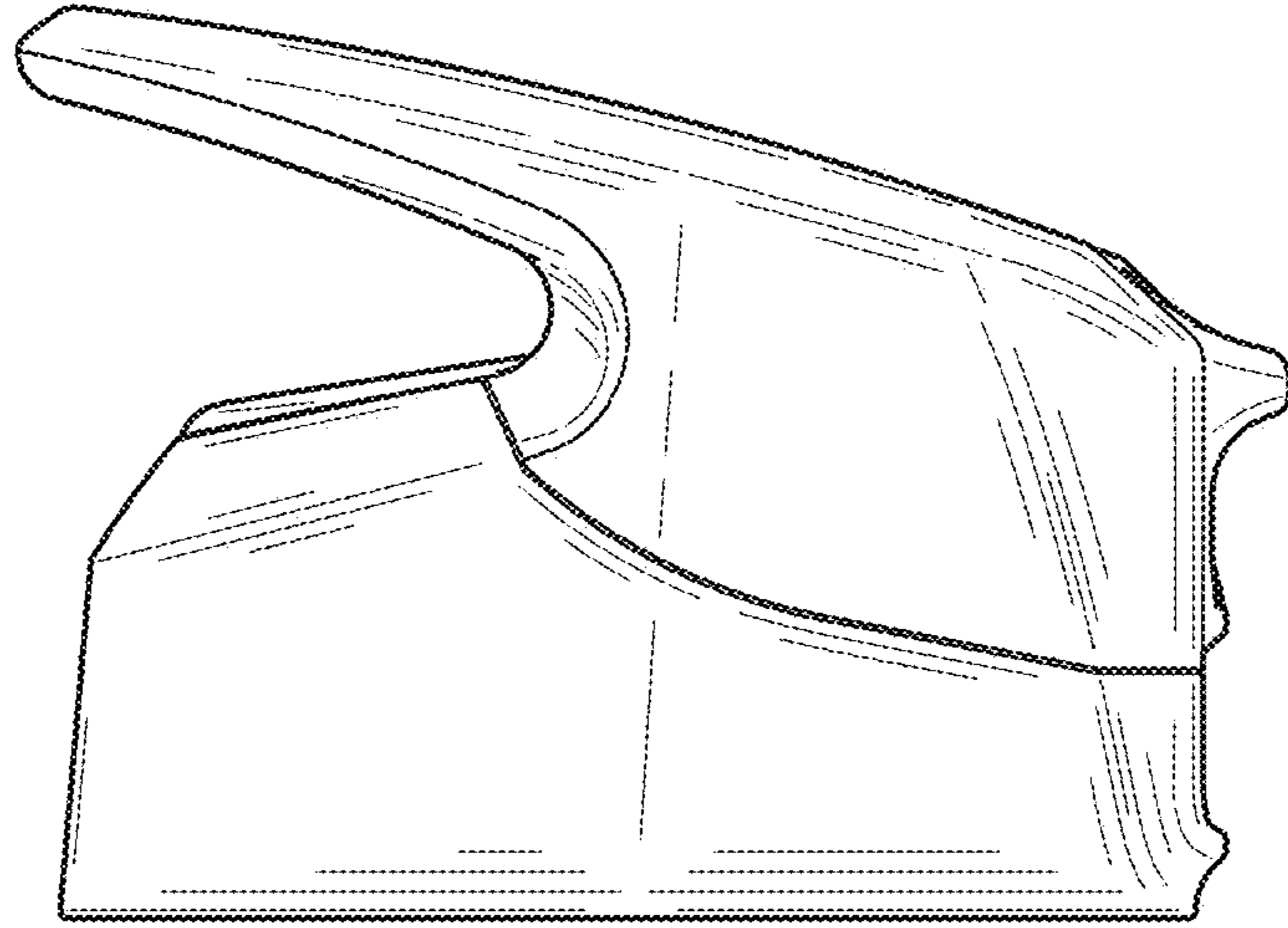


FIG. 13

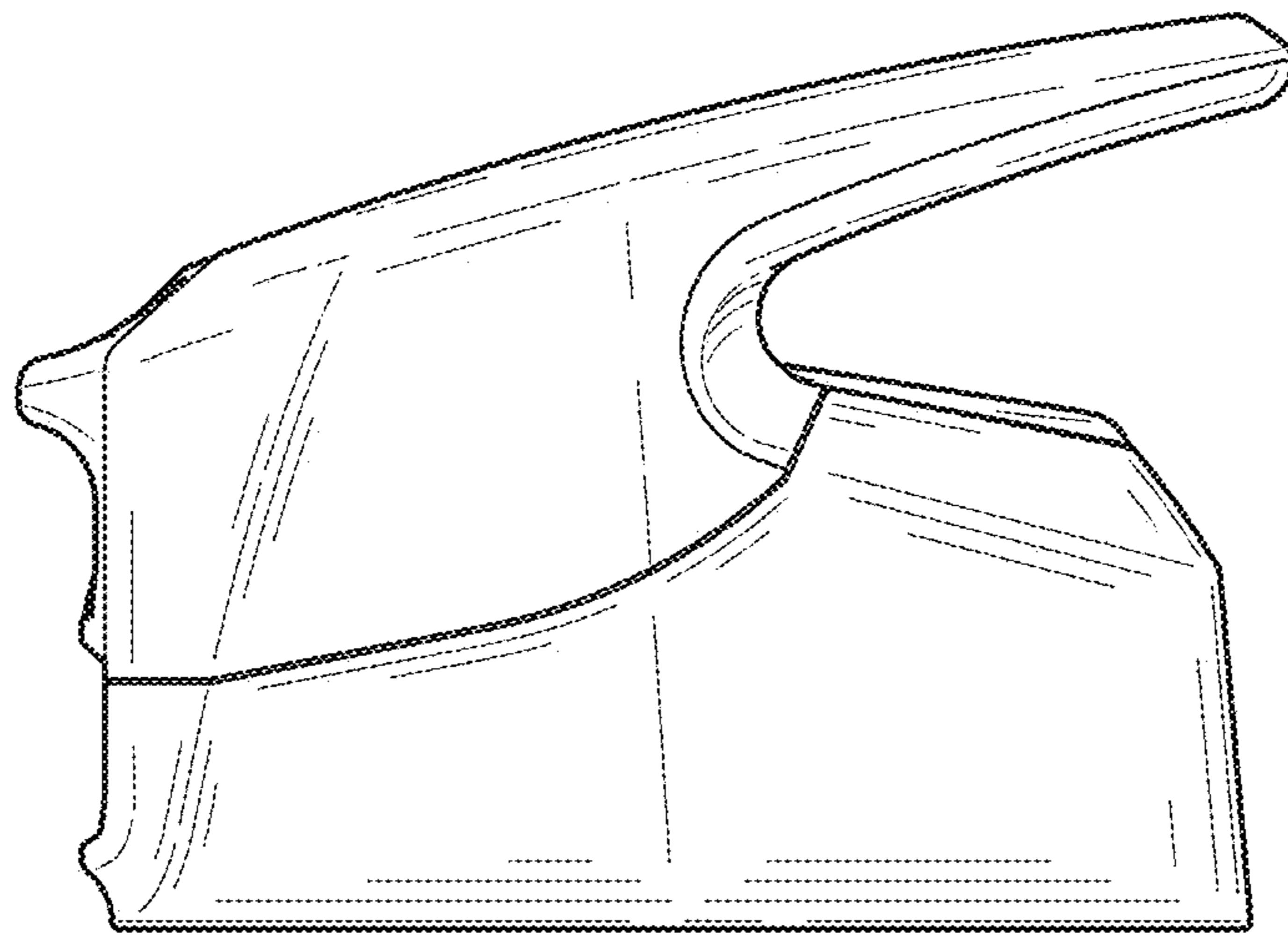


FIG. 14

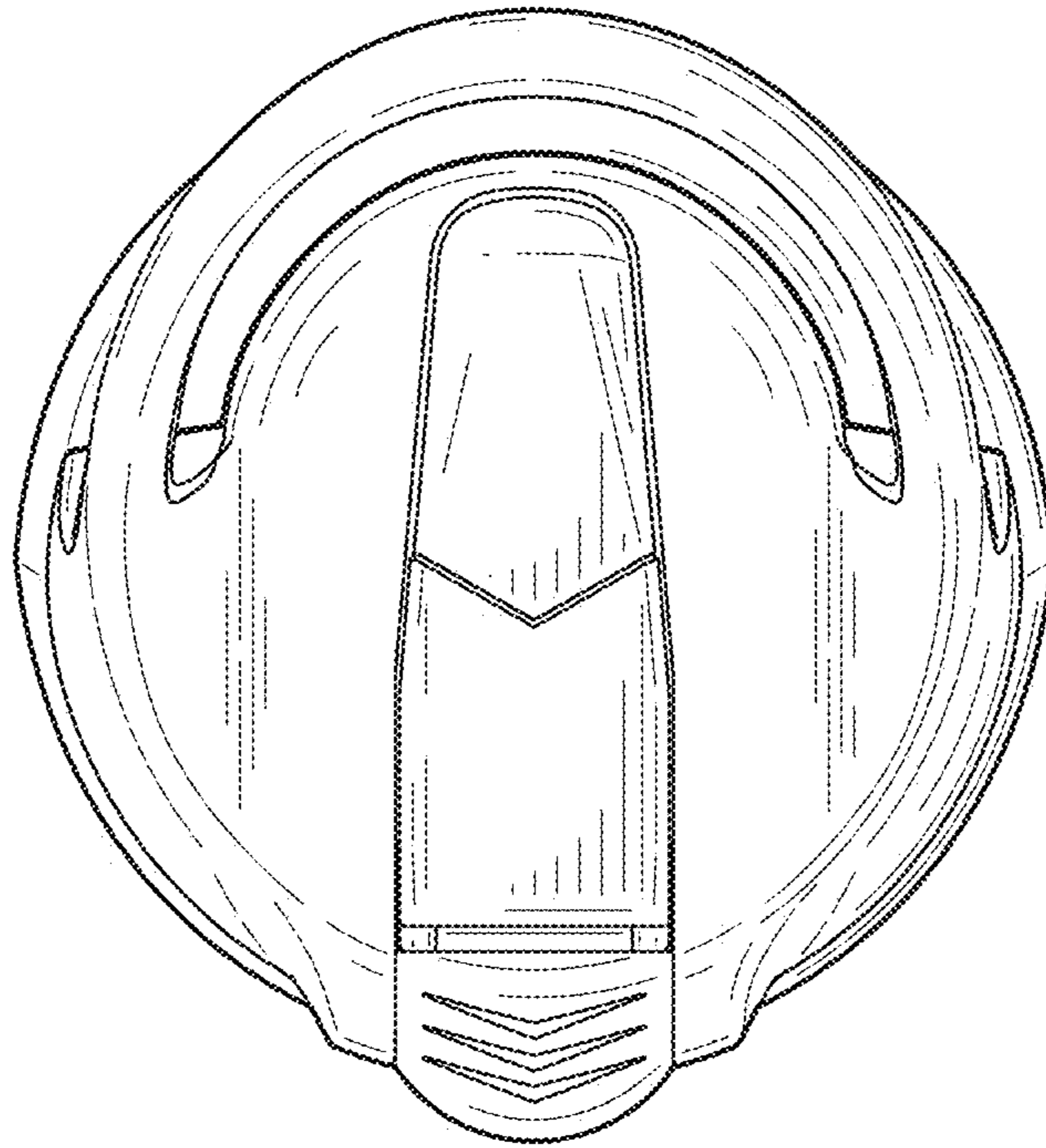


FIG. 15

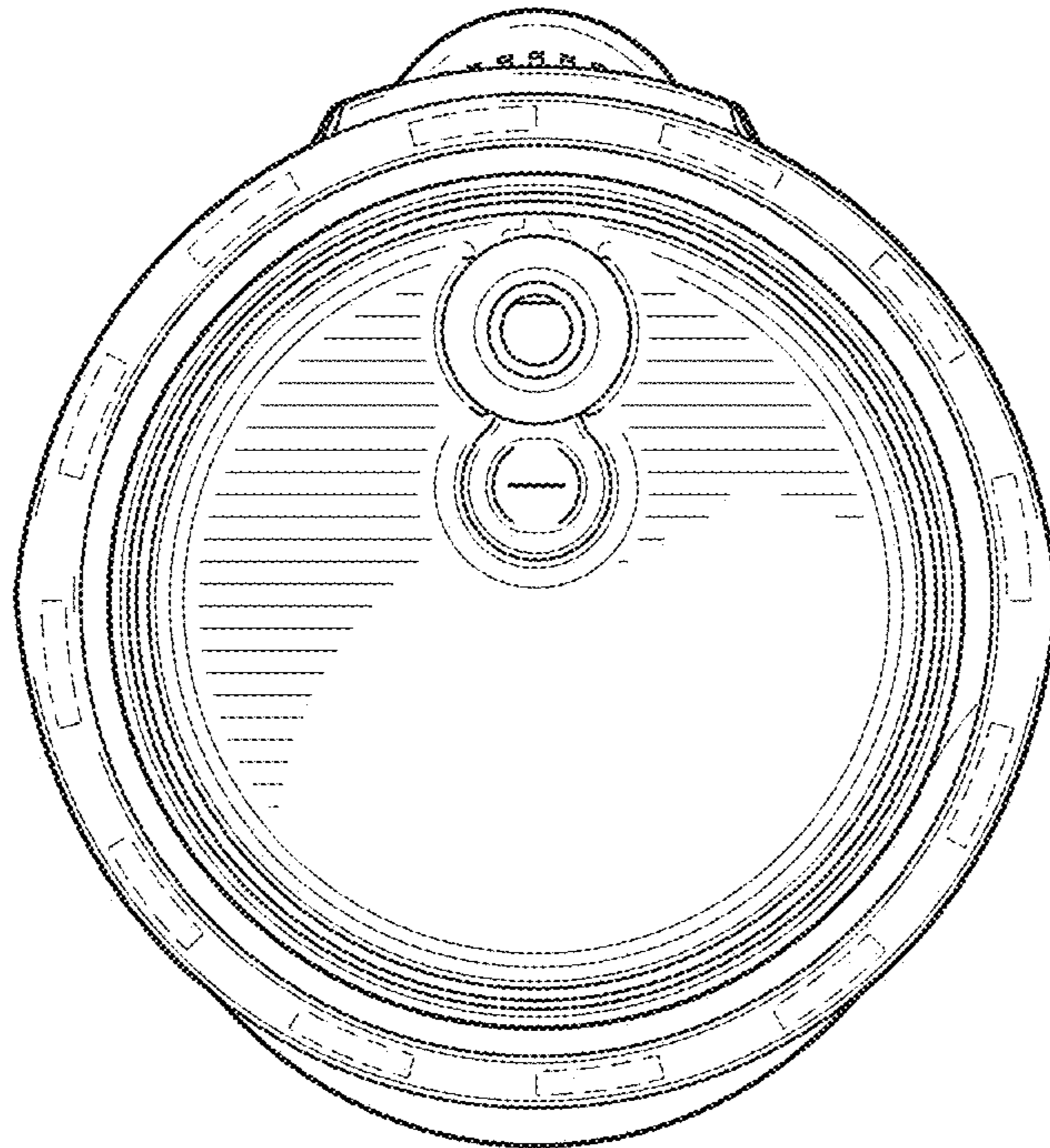


FIG. 16

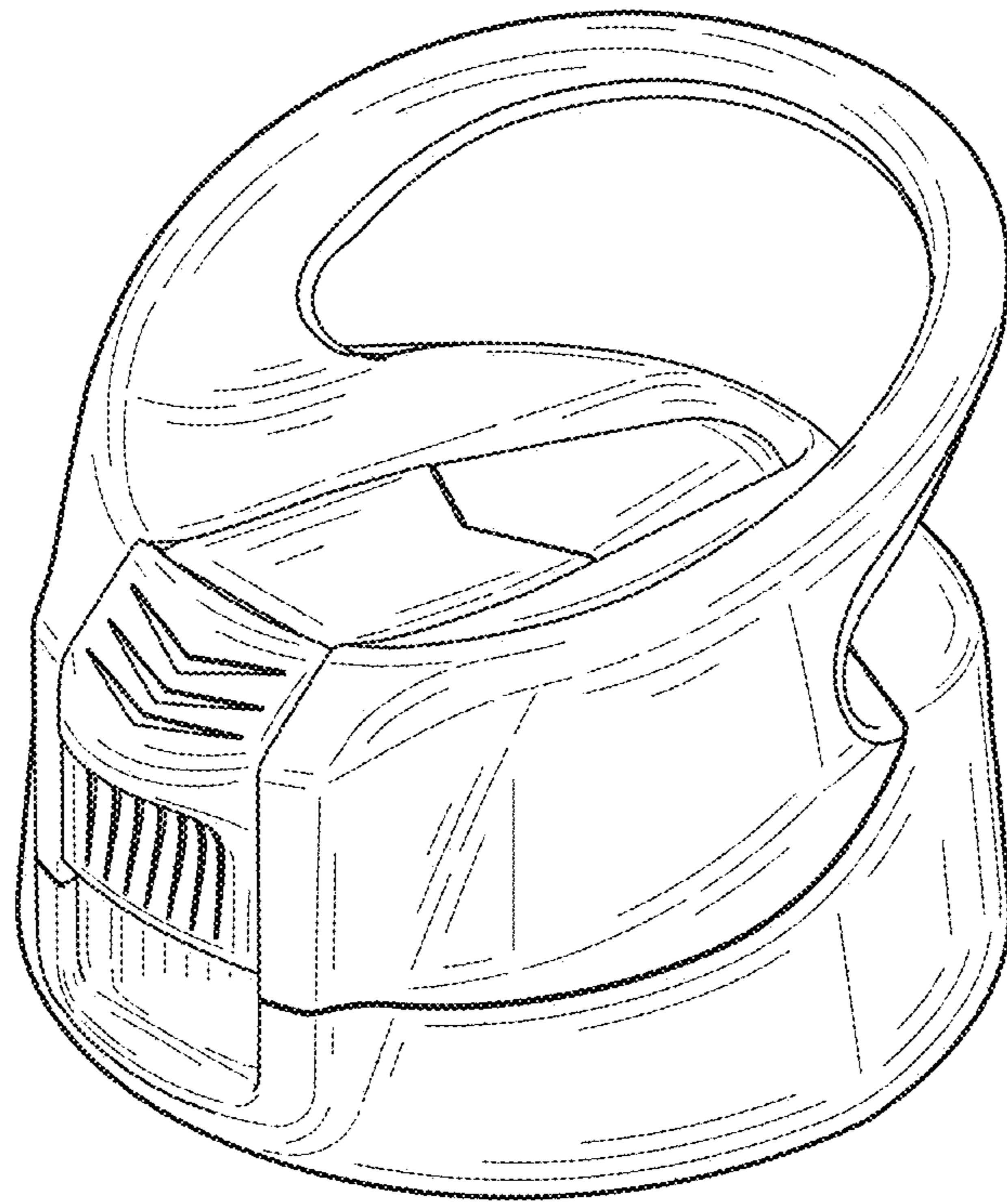


FIG. 17

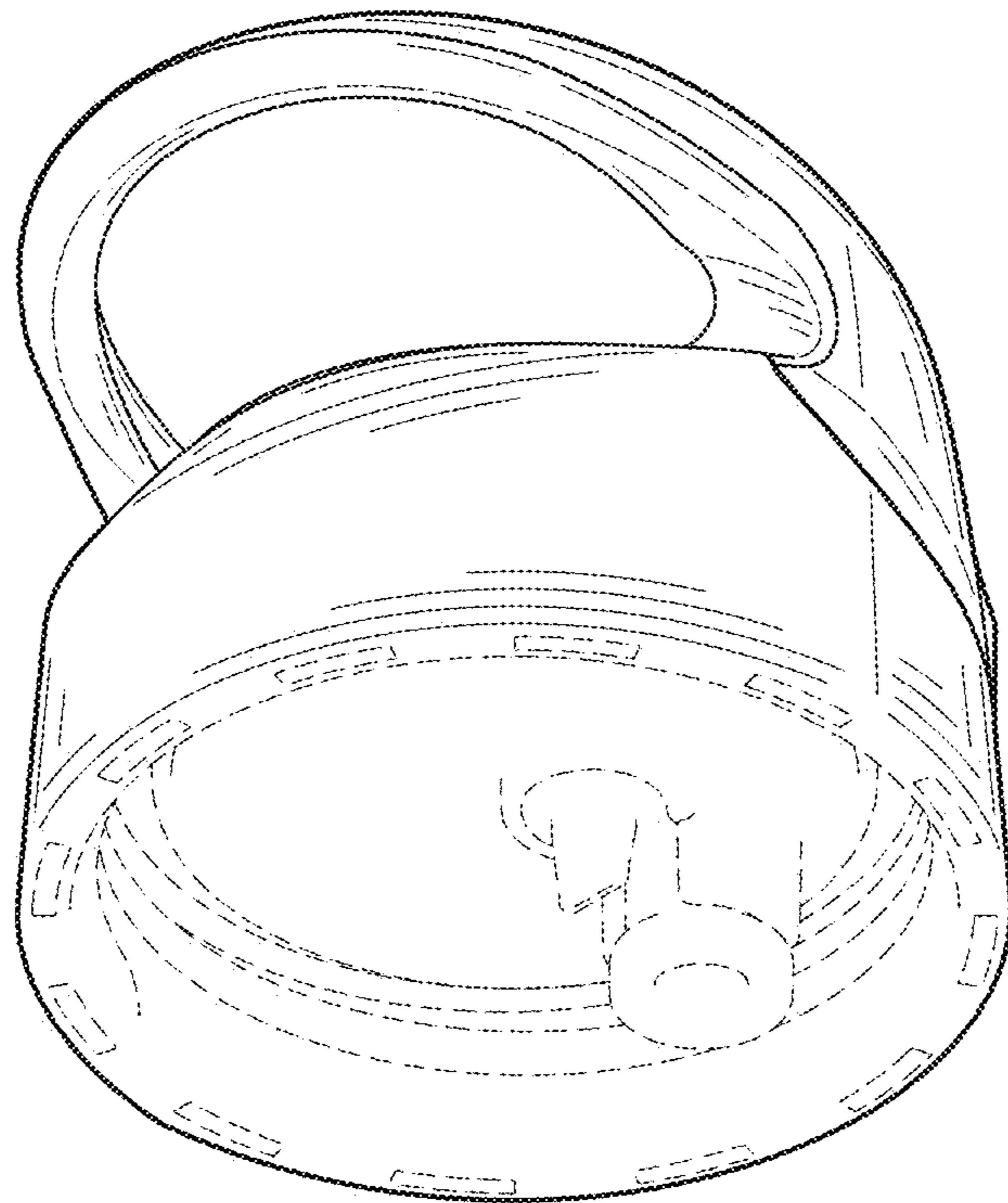


FIG. 18

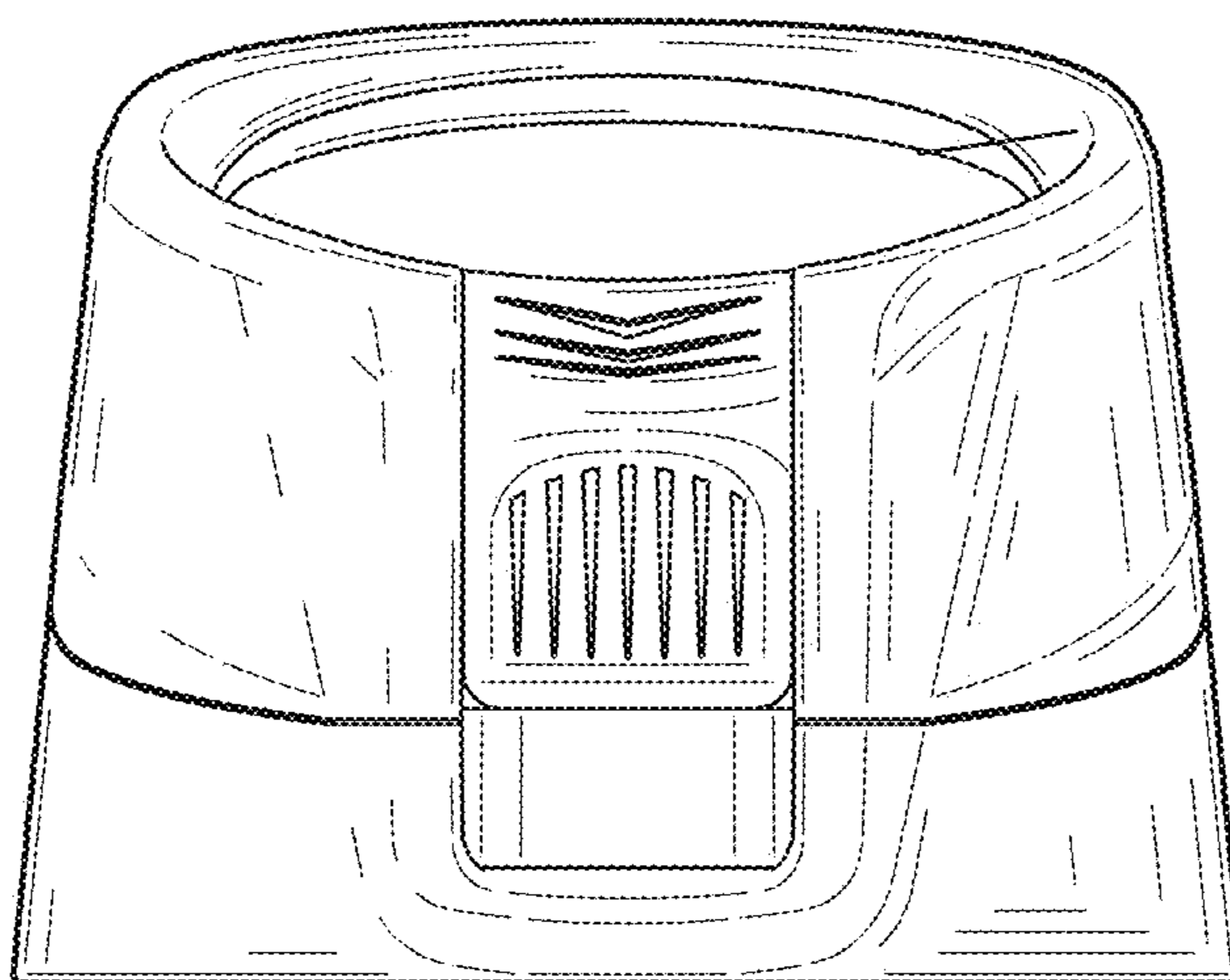


FIG. 19

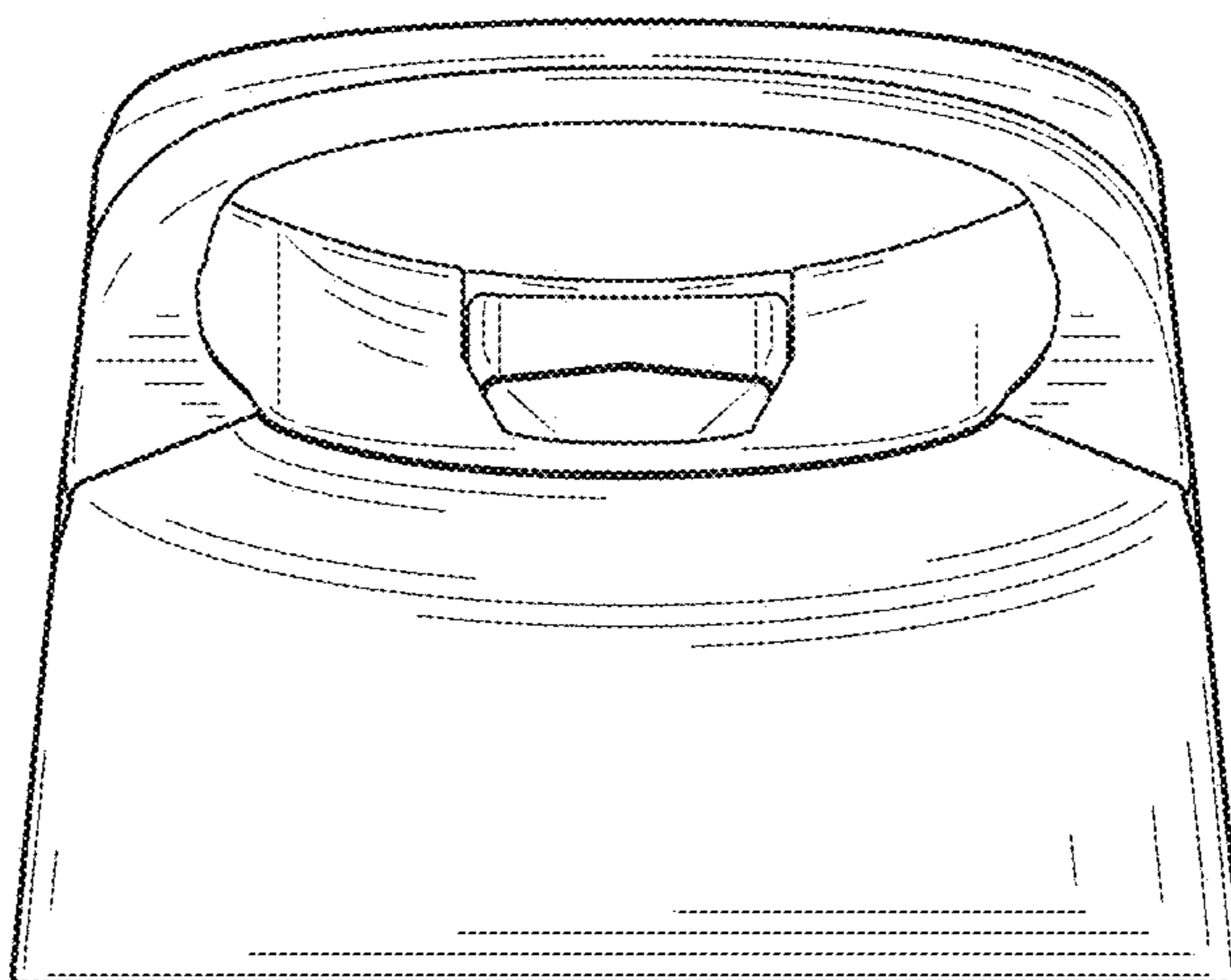


FIG. 20

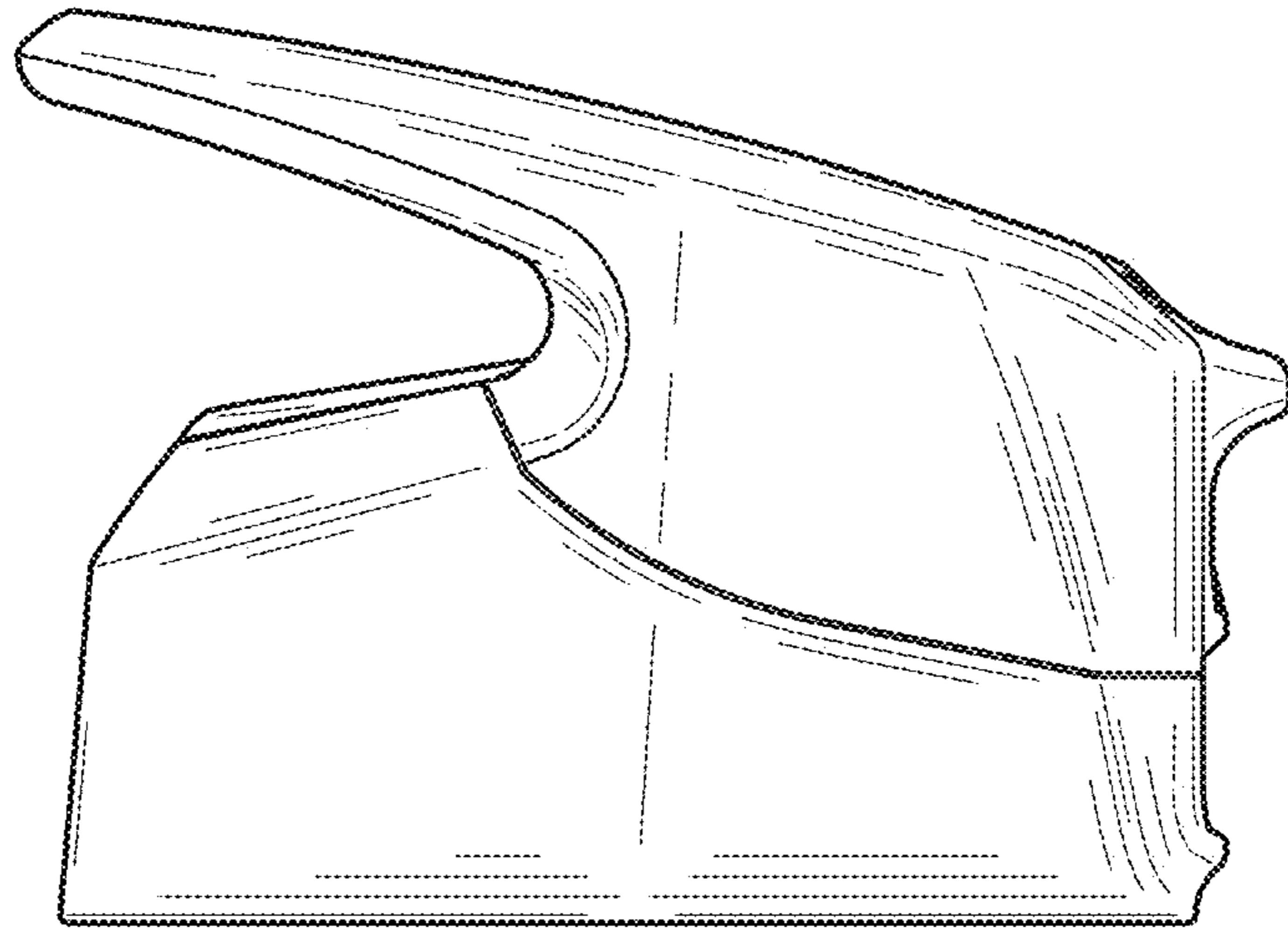


FIG. 21

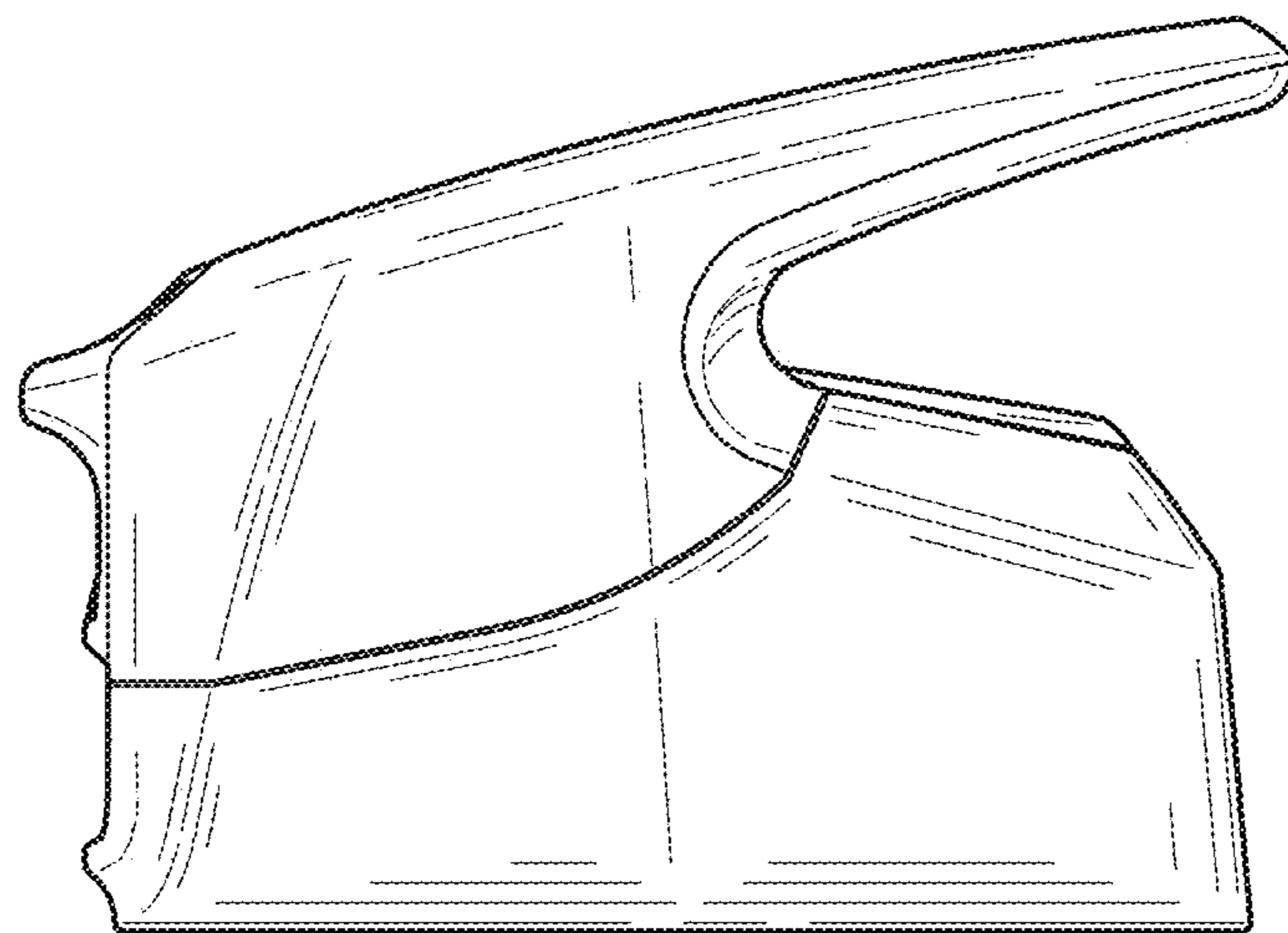


FIG. 22

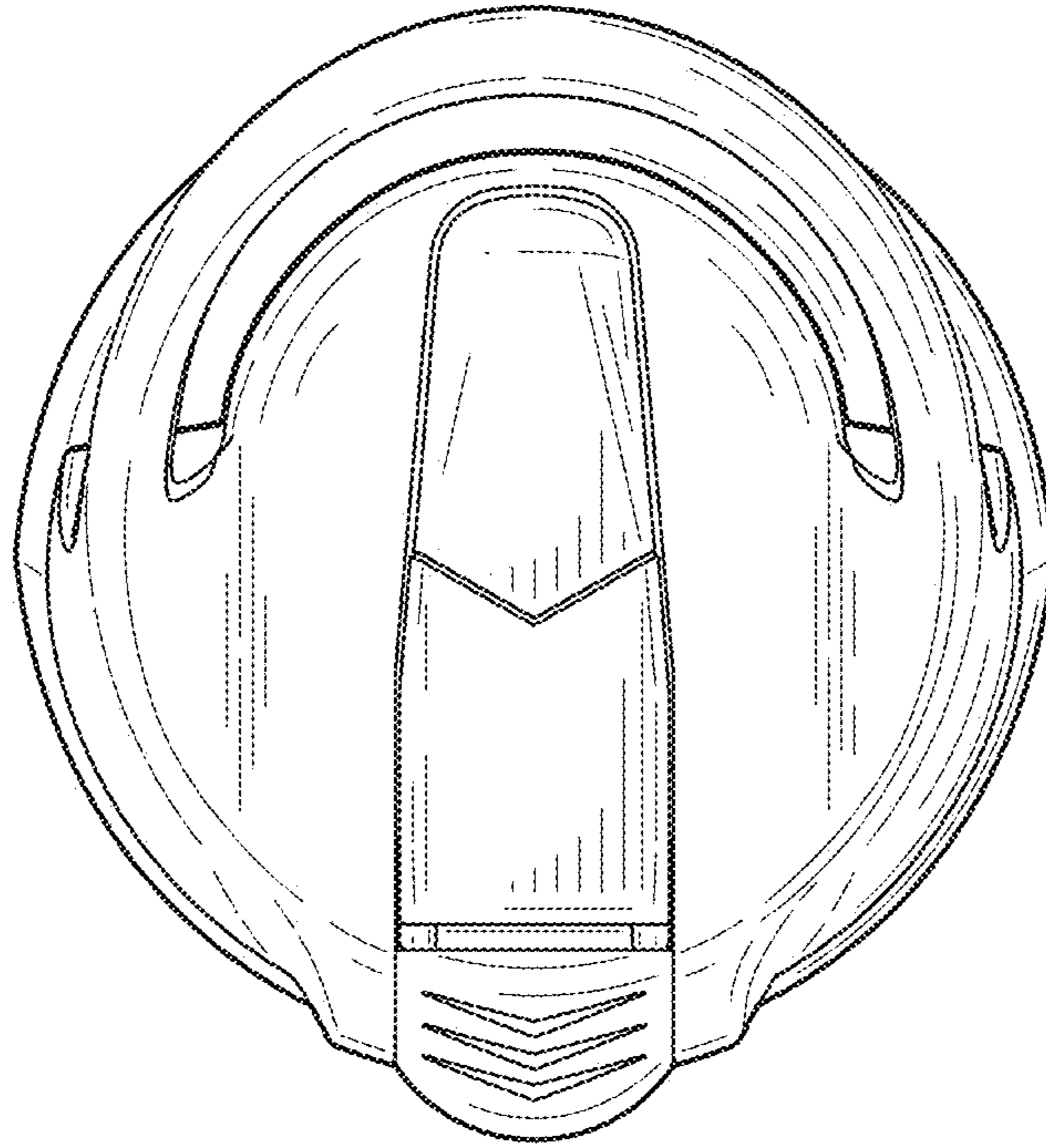


FIG. 23

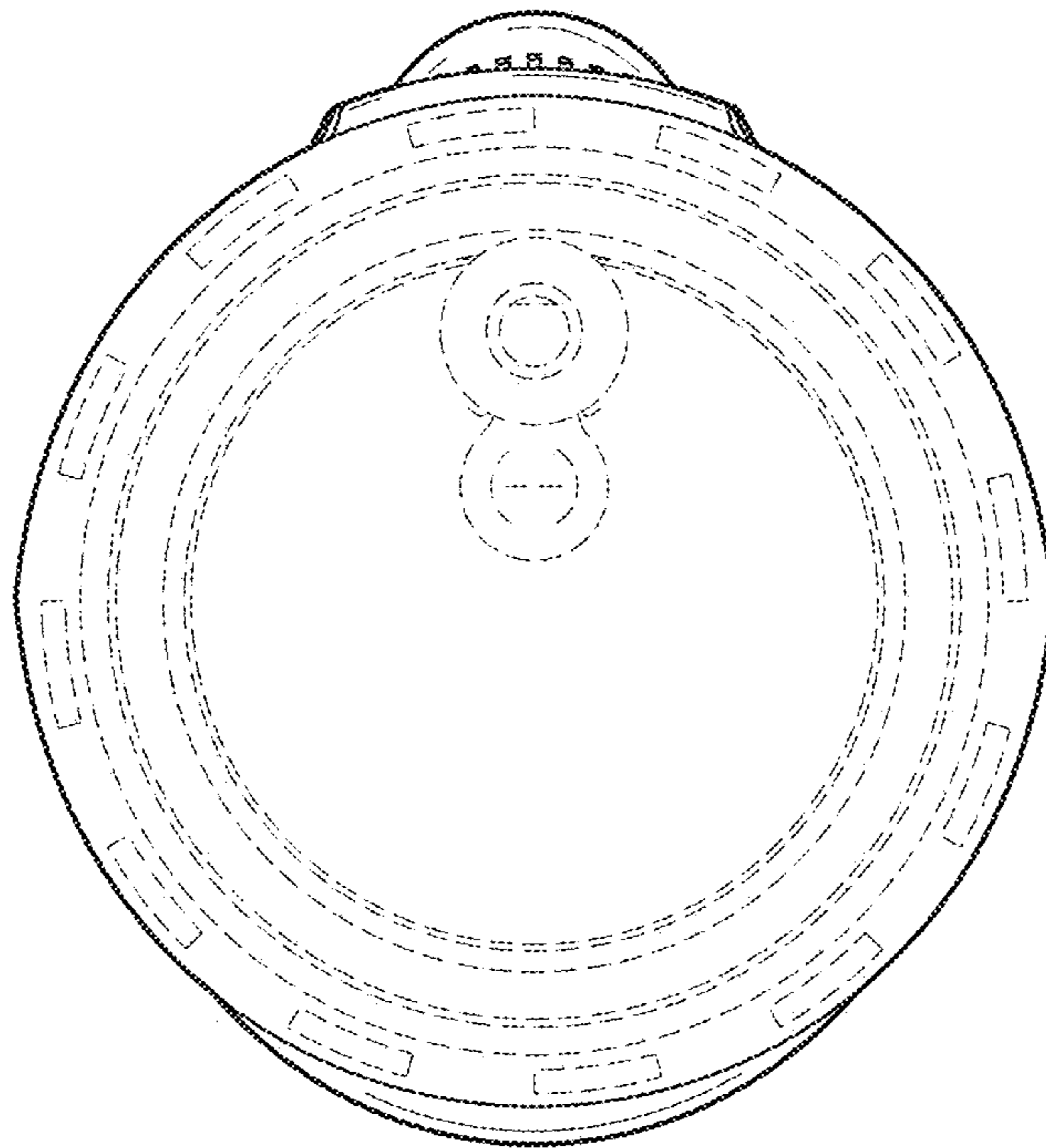


FIG. 24