



US00D902648S

(12) **United States Design Patent**  
**Wang**

(10) **Patent No.:** **US D902,648 S**

(45) **Date of Patent:** **\*\* Nov. 24, 2020**

(54) **DUSTPROOF FLIP CAP**

(71) Applicant: **Qi Wang**, Jiangxi (CN)

(72) Inventor: **Qi Wang**, Jiangxi (CN)

(73) Assignee: **SHEN ZHEN QUICK FIT PLASTIC CO., LTD**, Shen Zhen (CN)

(\*\*) Term: **15 Years**

(21) Appl. No.: **29/692,984**

(22) Filed: **May 30, 2019**

(51) **LOC (12) Cl.** ..... **07-99**

(52) **U.S. Cl.**  
USPC ..... **D7/392.1; D9/449**

(58) **Field of Classification Search**  
USPC ..... D3/200, 201, 203.1, 203.2, 203.4;  
D24/121, 127, 193, 194, 197, 199, 216,  
D24/224; D27/100, 172, 175, 183, 186;  
D9/414, 418, 422, 423, 424, 428, 431,  
D9/436, 454, 503, 504, 549, 721, 686,  
D9/690, 434, 435, 439, 446, 447, 452,  
D9/449; D7/300, 300.2, 387, 391, 392,  
D7/302.1, 396.1, 396.2, 397, 398, 509,  
D7/510, 511, 601, 602, 619.1, 900;  
D6/677

CPC .. A47J 47/14; B65D 1/00; B65D 1/22; B65D  
1/26; B65D 1/34; B65D 1/40; B65D  
1/165; B65D 2251/0087; B65D  
2251/0018; B65D 2251/0028; B65D  
2251/009; B65D 81/18; B65D 81/38;  
B65D 25/54; B65D 25/106; B65D 25/22;  
B65D 25/24; B65D 39/0005; B65D  
43/06; B65D 51/24; B65D 51/245; B65D  
2201/00; A47F 3/145; A45D 34/02

See application file for complete search history.

(56) **References Cited**

**U.S. PATENT DOCUMENTS**

D242,517 S \* 11/1976 Capron ..... D7/392  
D451,023 S \* 11/2001 Kitamura ..... D9/449

D579,772 S \* 11/2008 Williams ..... D9/446  
D589,743 S \* 4/2009 Pearson ..... D7/392  
D608,640 S \* 1/2010 Carreno ..... D9/449  
D609,964 S \* 2/2010 Lane ..... D7/392.1  
D641,241 S \* 7/2011 Goto ..... D9/449  
D661,945 S \* 6/2012 Eyal ..... D7/392.1  
D675,060 S \* 1/2013 Lane ..... D7/392.1

(Continued)

**OTHER PUBLICATIONS**

Embrava Water Bottle: Announced Apr. 1, 2019 [online]. Site Visited [May 18, 2020]. Available from Internet URL: [https://www.embravasports.com/products/18oz-premium-sports-water-bottle.\\*](https://www.embravasports.com/products/18oz-premium-sports-water-bottle.*)

(Continued)

*Primary Examiner* — Catherine S Posthauer

(57) **CLAIM**

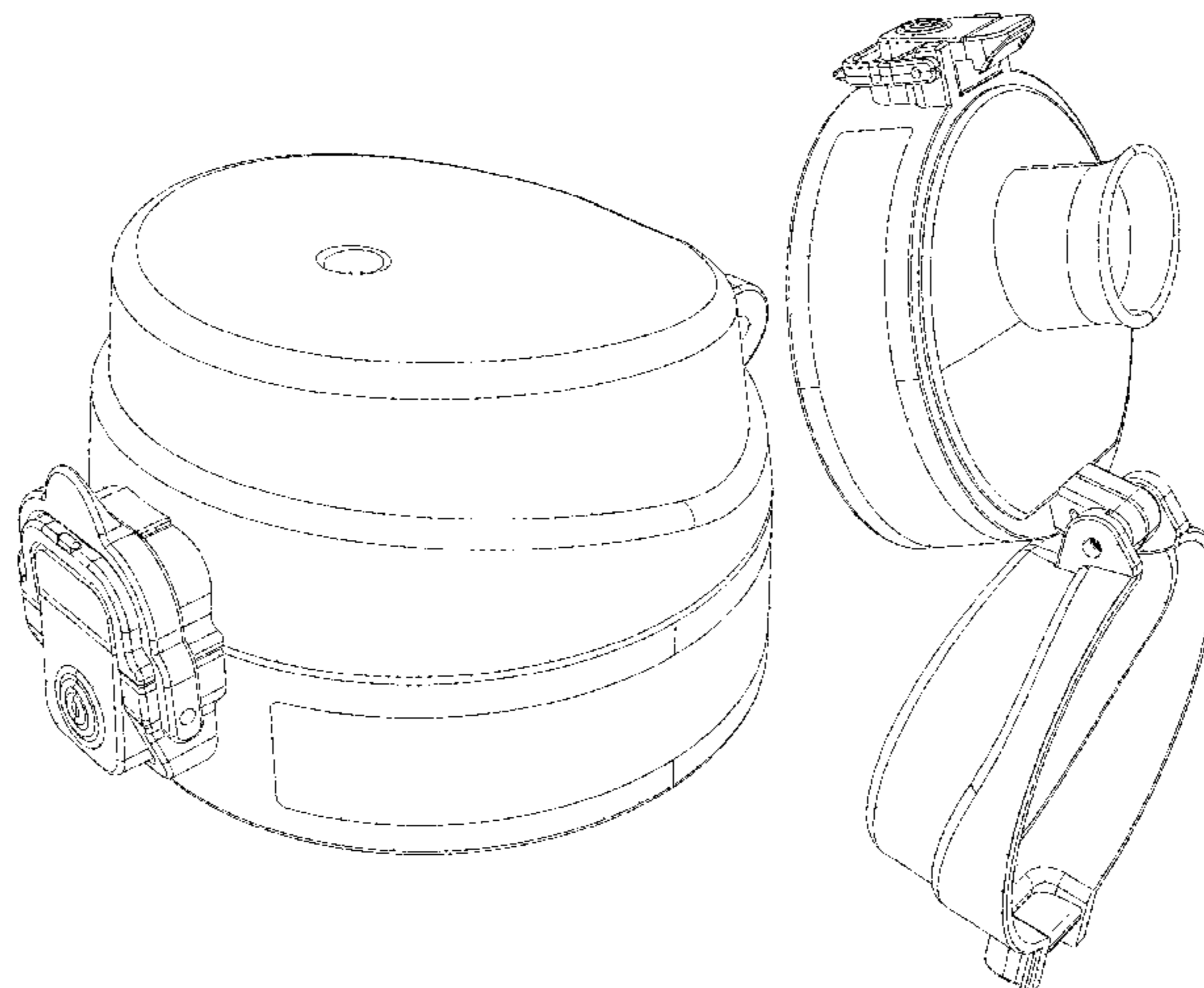
The ornamental design for a dustproof flip cap, as shown and described.

**DESCRIPTION**

FIG. 1 is a perspective view of a dustproof flip cap showing my new design;  
FIG. 2 is a front elevational view thereof;  
FIG. 3 is a rear elevational view thereof;  
FIG. 4 is a right side elevational view thereof;  
FIG. 5 is a left side elevational view thereof;  
FIG. 6 is a top plan view thereof;  
FIG. 7 is a bottom plan view thereof;  
FIG. 8 is a perspective view thereof  
FIG. 9 is another right side elevational view where the dustproof flip cap is in an open state;  
FIG. 10 is a perspective view where the dustproof flip cap is in the open state; and,  
FIG. 11 is another top plan view where the dustproof flip cap is in the open state.

The broken lines are shown for purpose of illustrating parts of the article that form no part of the claimed design.

**1 Claim, 11 Drawing Sheets**



(56)

References Cited

U.S. PATENT DOCUMENTS

D686,871 S \* 7/2013 Lane ..... D7/392.1  
 D686,872 S \* 7/2013 Lane ..... D7/392.1  
 D695,069 S \* 12/2013 Lane ..... D7/510  
 D718,572 S \* 12/2014 Sturgess ..... D7/396.2  
 D727,093 S \* 4/2015 Lapsker ..... D7/396.2  
 D730,729 S \* 6/2015 George ..... D9/435  
 D739,183 S \* 9/2015 Lane ..... D7/605  
 D740,605 S \* 10/2015 Wodka ..... D7/396.2  
 D747,136 S \* 1/2016 Lane ..... D7/396.2  
 D766,652 S \* 9/2016 Joseph ..... D7/392.1  
 D770,222 S \* 11/2016 Boroski ..... D7/392.1  
 D778,117 S \* 2/2017 Du ..... D7/608  
 D780,578 S \* 3/2017 Lane ..... D7/396.2  
 D793,165 S 8/2017 Rummel et al.  
 D794,453 S \* 8/2017 Boroski ..... D7/392.1  
 D795,011 S \* 8/2017 Pisarevsky ..... D7/507  
 D798,712 S 10/2017 Fukumoto et al.  
 D804,904 S \* 12/2017 Noveletsky ..... D7/510  
 D818,767 S \* 5/2018 Nezu ..... D7/392.1  
 D818,768 S \* 5/2018 Joseph ..... D7/396.2  
 D819,395 S \* 6/2018 Yu ..... D7/391  
 D822,429 S \* 7/2018 Washburn ..... D7/396.2  
 D827,769 S \* 9/2018 Brill ..... D23/209  
 D839,044 S \* 1/2019 Potter ..... D7/392  
 D848,787 S \* 5/2019 Tatsukawa ..... D7/392.1  
 D853,784 S \* 7/2019 Wu ..... D7/392.1

D859,152 S \* 9/2019 Suzuki ..... D9/447  
 D861,421 S \* 10/2019 Barber ..... D7/396.2  
 D867,814 S \* 11/2019 Bodum ..... D7/392.1  
 D869,230 S \* 12/2019 Hao ..... D7/392.1  
 D874,214 S \* 2/2020 Breit ..... D7/392  
 2011/0089059 A1\* 4/2011 Lane ..... B65D 51/285  
 206/222  
 2013/0206717 A1\* 8/2013 Lane ..... A47J 31/18  
 215/6  
 2017/0144808 A1\* 5/2017 Choltco-Devlin .....  
 A47G 19/2272  
 2020/0071027 A1\* 3/2020 Lane ..... B65D 25/22

OTHER PUBLICATIONS

Brimma Premium Sport Bottle: Announced May 16, 2016 [online].  
 Site Visited [May 18, 2020]. Available from Internet URL: [https://www.amazon.com/Brimma-Premium-Sports-Water-Bottle/dp/B07BXDFWJM/ref=cm\\_cr\\_arp\\_d\\_product\\_top?ie=UTF8](https://www.amazon.com/Brimma-Premium-Sports-Water-Bottle/dp/B07BXDFWJM/ref=cm_cr_arp_d_product_top?ie=UTF8).  
 Flip Top Lid for 34 oz sport bottle: Announced Apr. 25, 2020  
 [online]. Site Visited [May 18, 2020]. Available from Internet URL:  
<https://www.liveinfinitely.com/collections/replacement-parts/products/flip-top-lid-for-34oz-sports-water-bottles>.  
 10 Best Sports Water Bottles: Site Visited [May 18, 2020]. Available  
 from Internet URL: <https://www.hqreview.com/top-10-best-sports-water-bottles/>.

\* cited by examiner

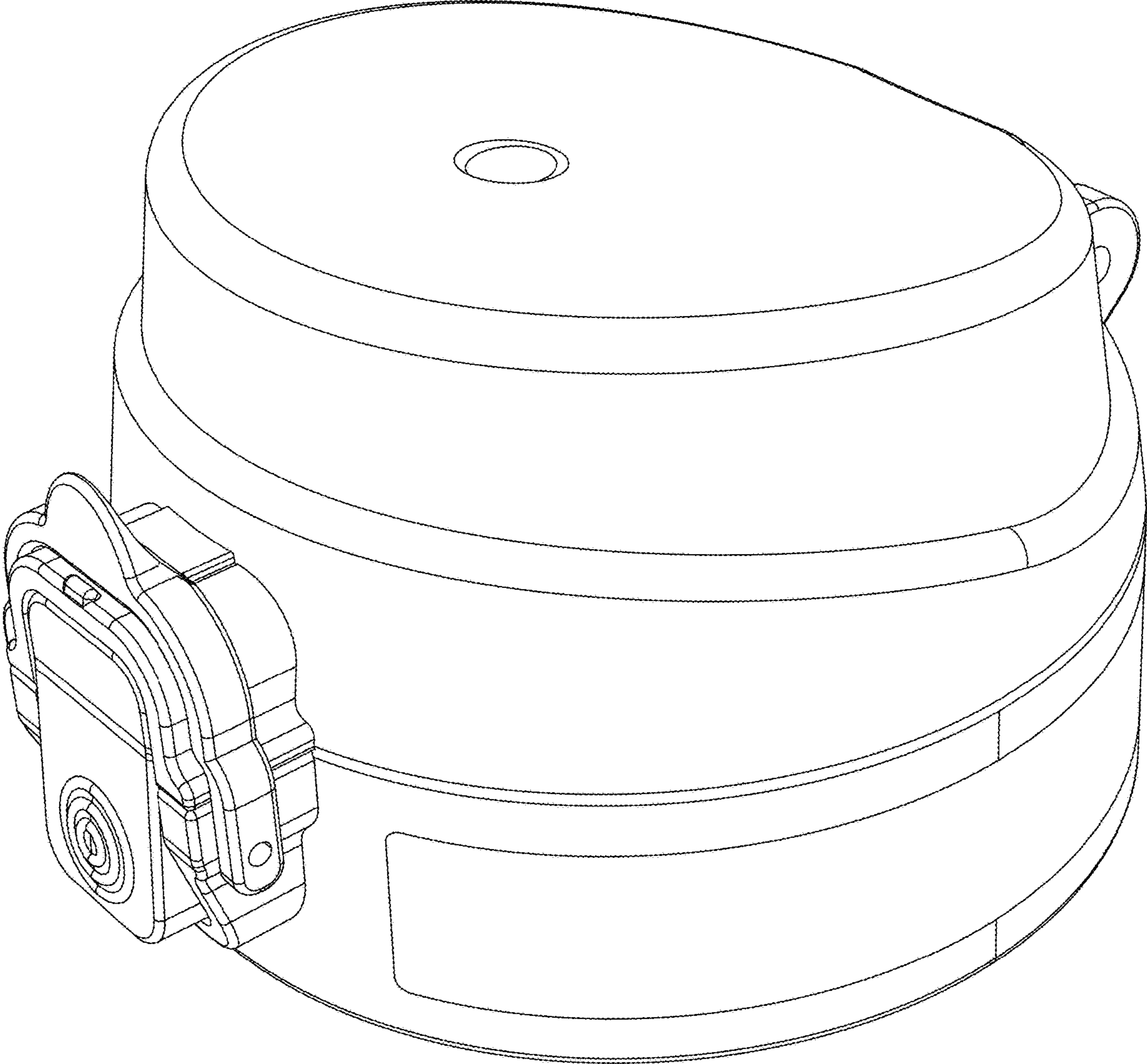


FIG. 1



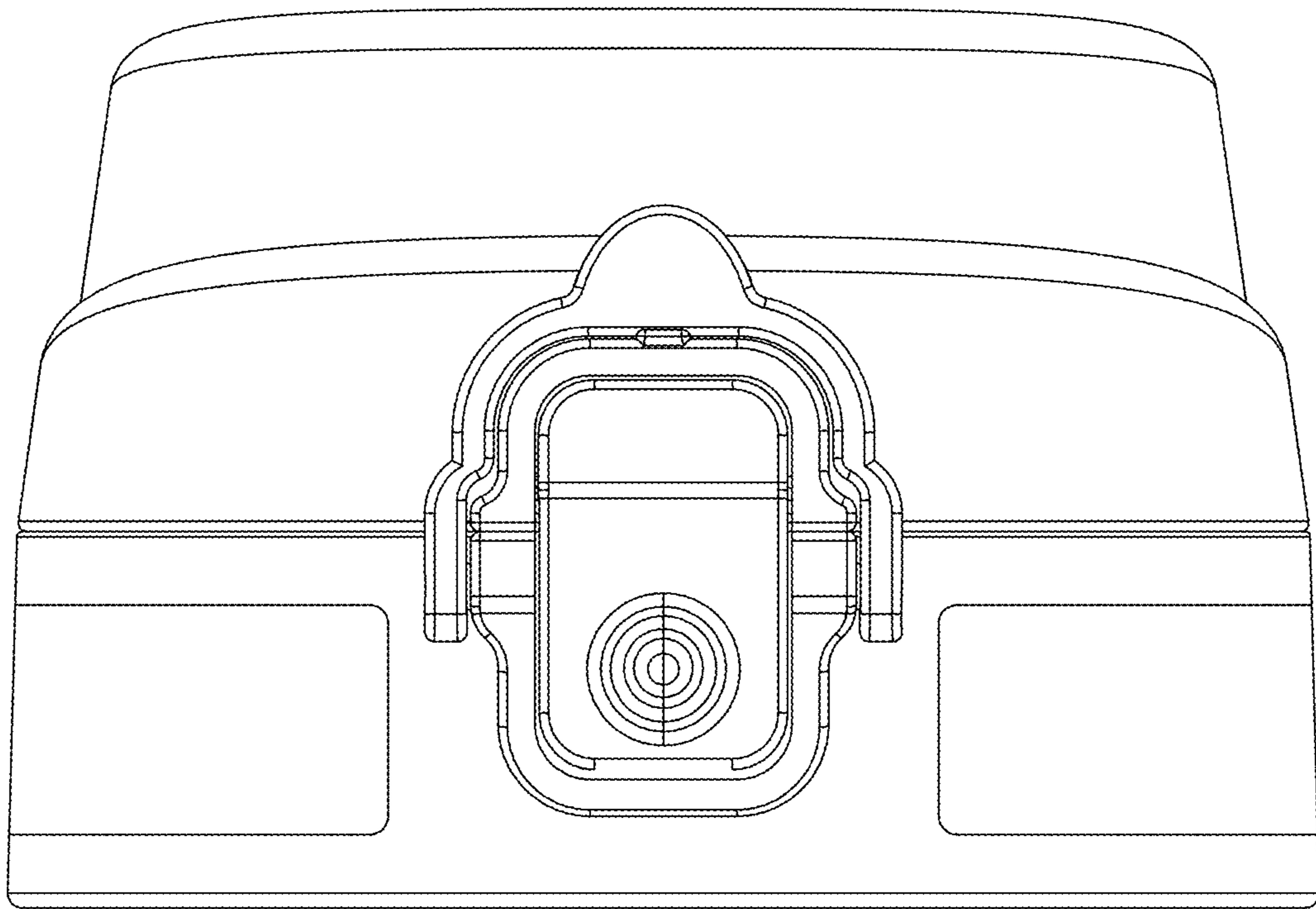


FIG. 2

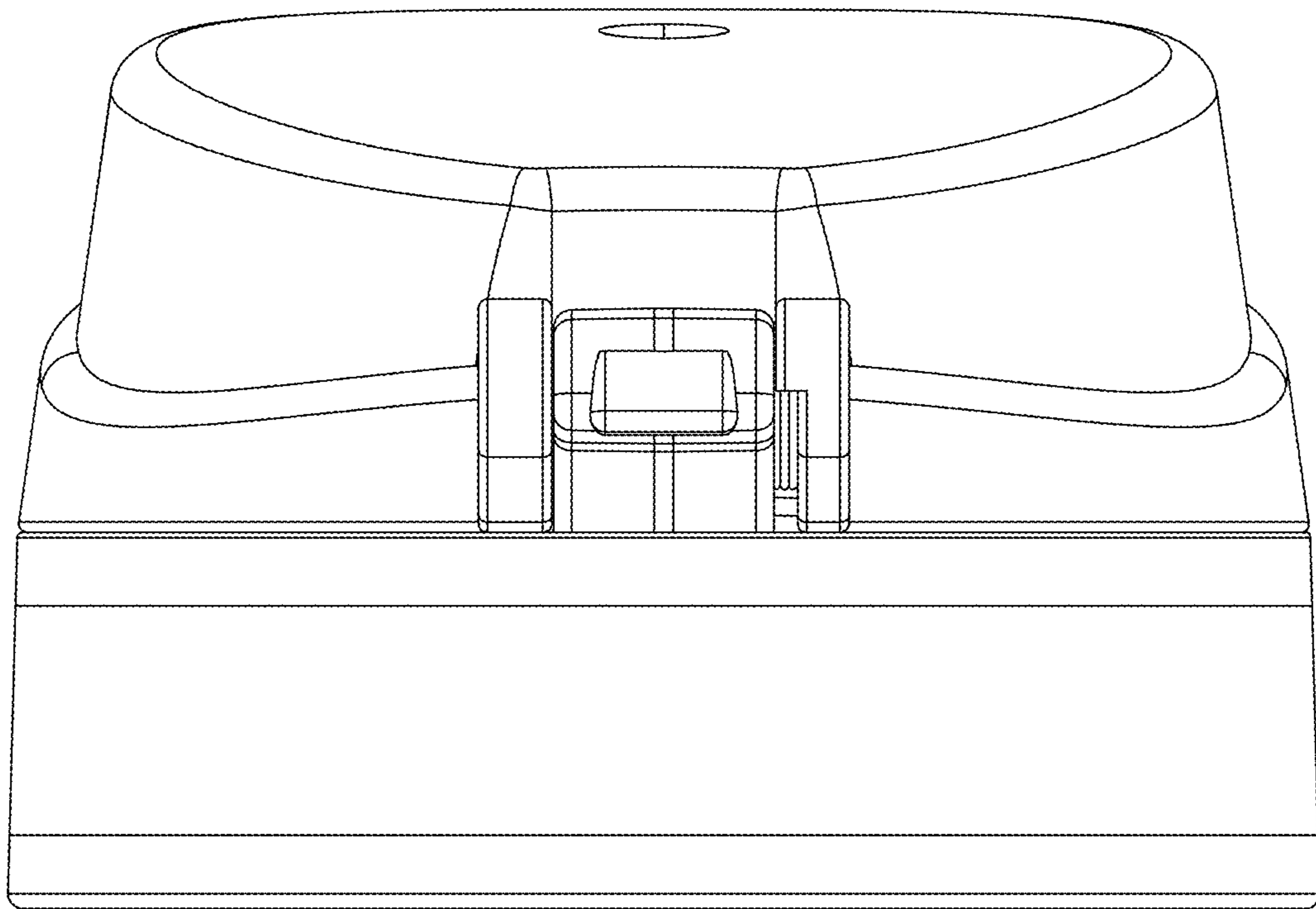


FIG. 3

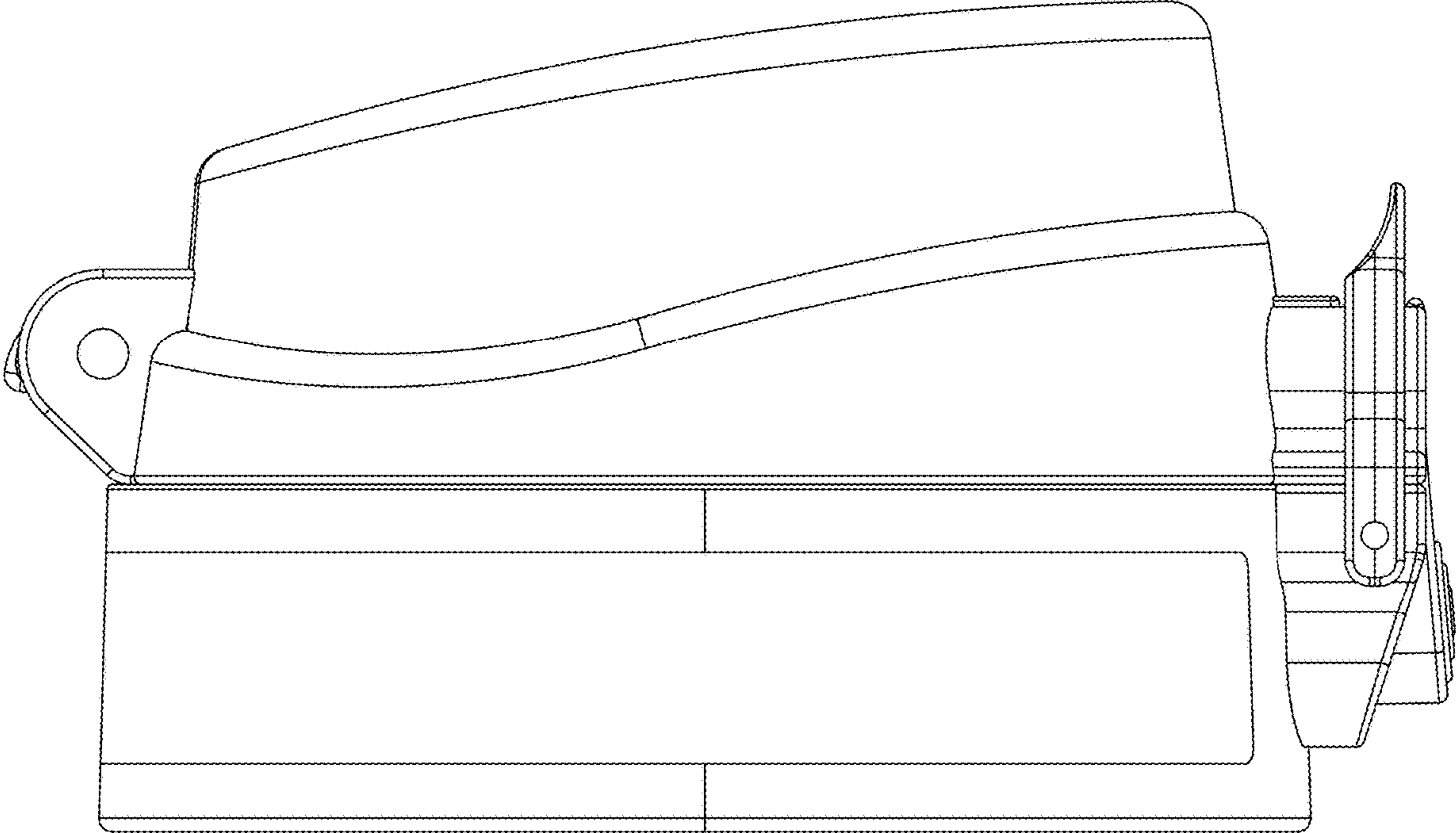


FIG. 4

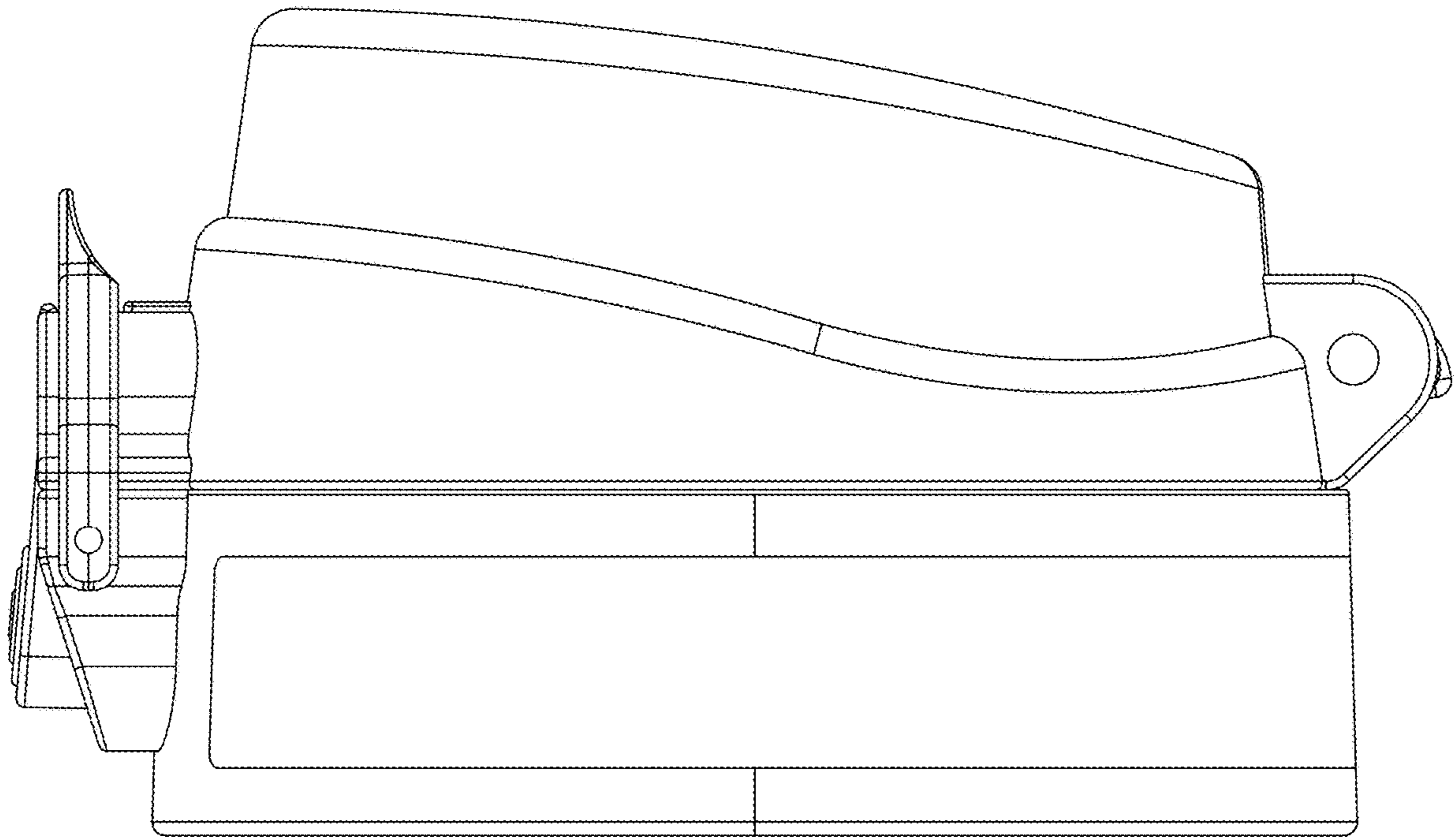


FIG. 5

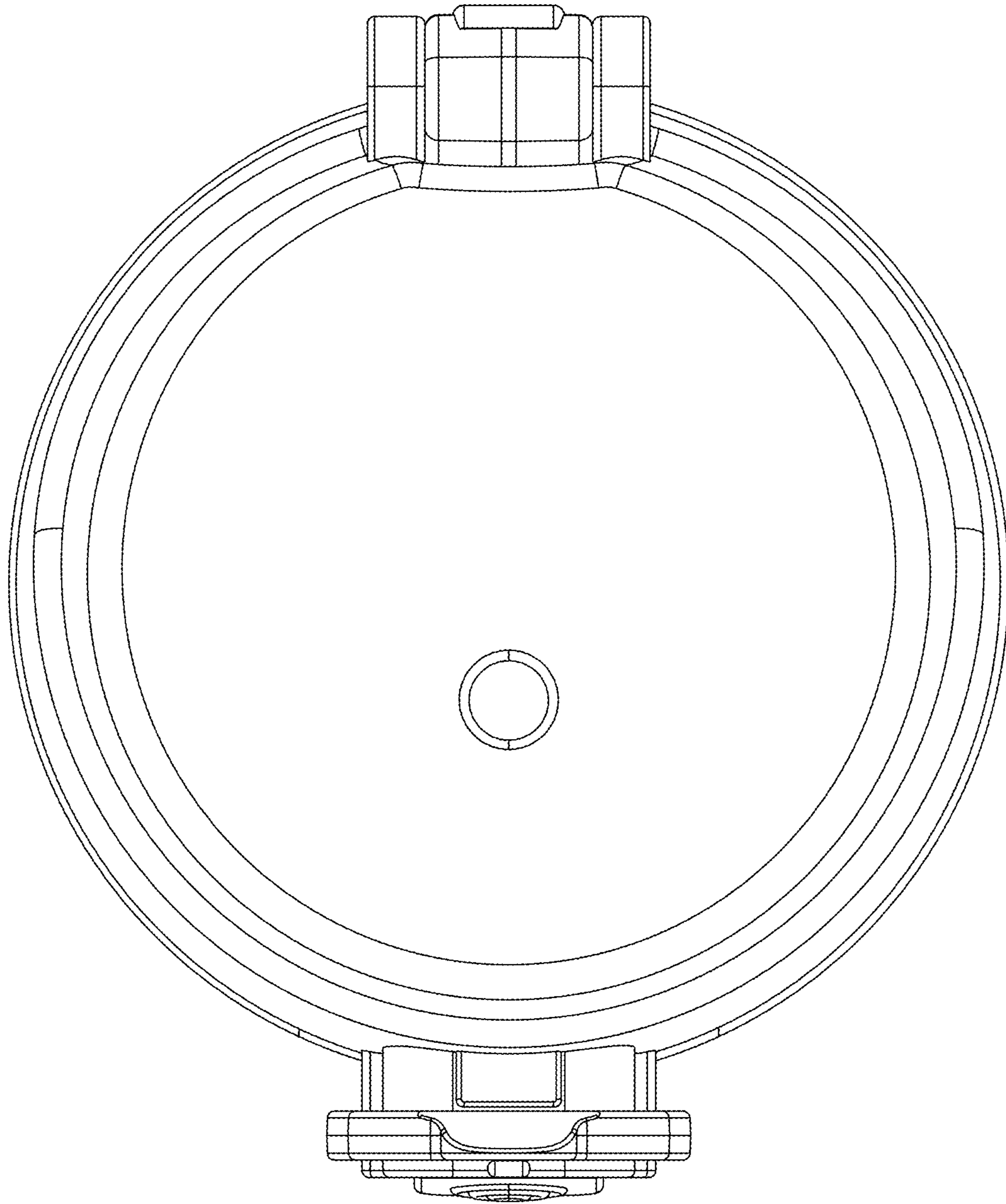


FIG. 6



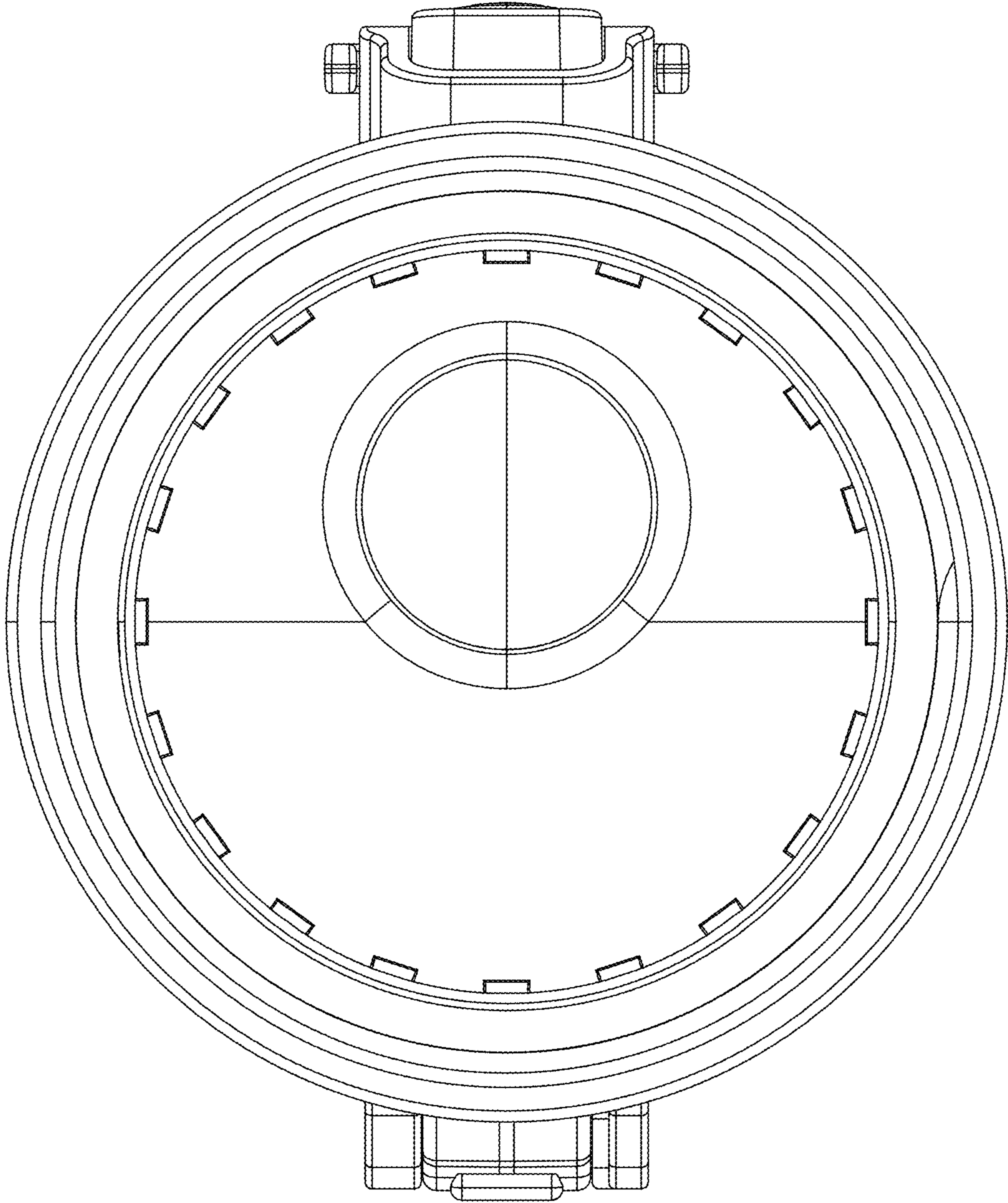


FIG. 7

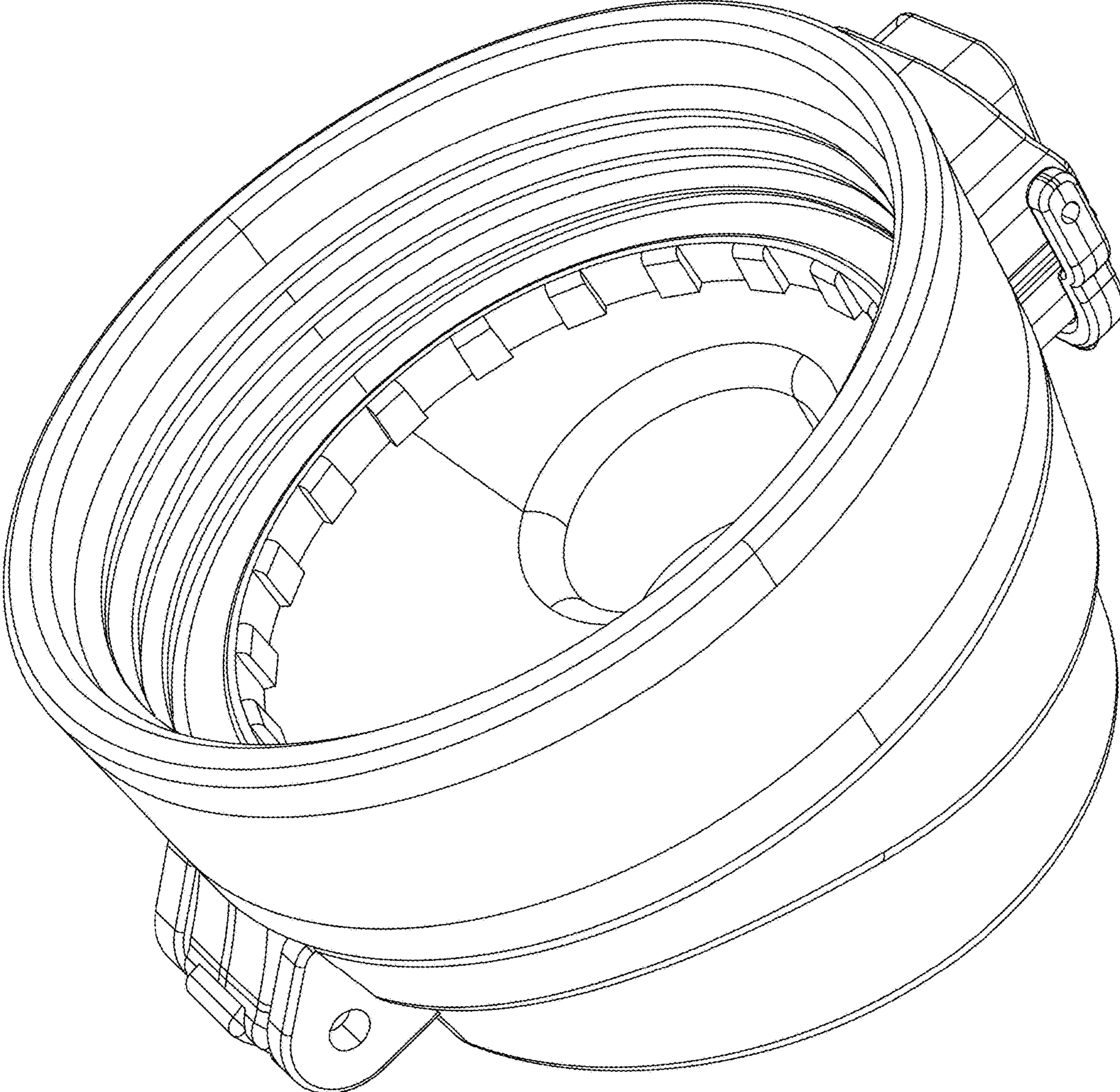


FIG. 8

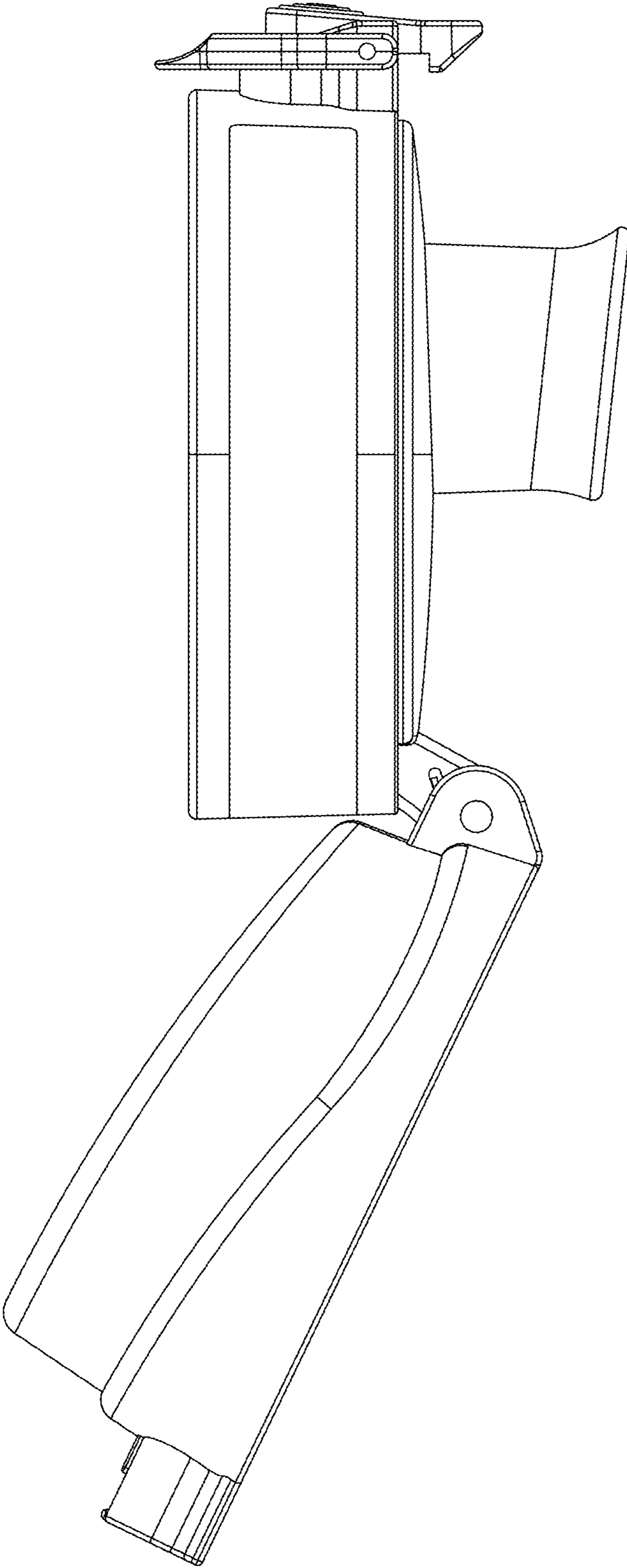


FIG. 9

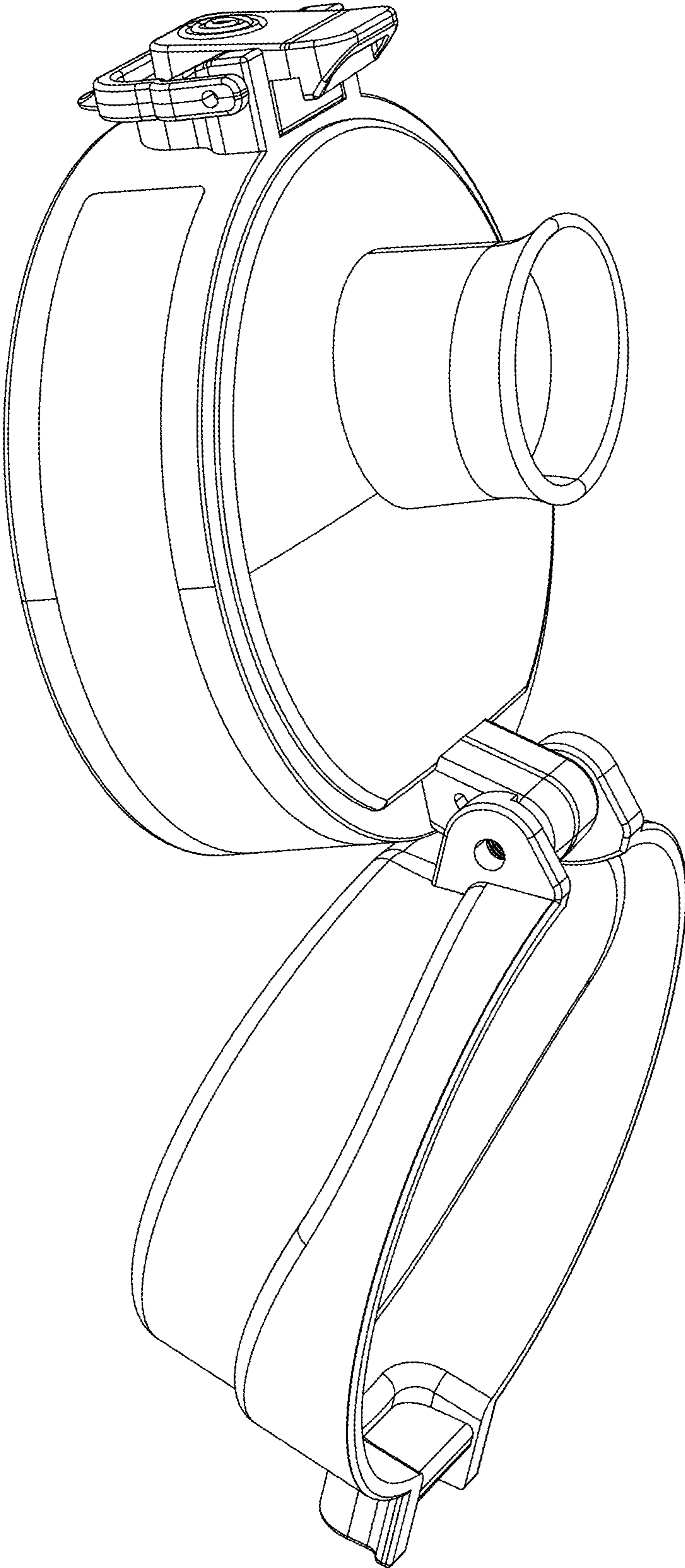


FIG. 10



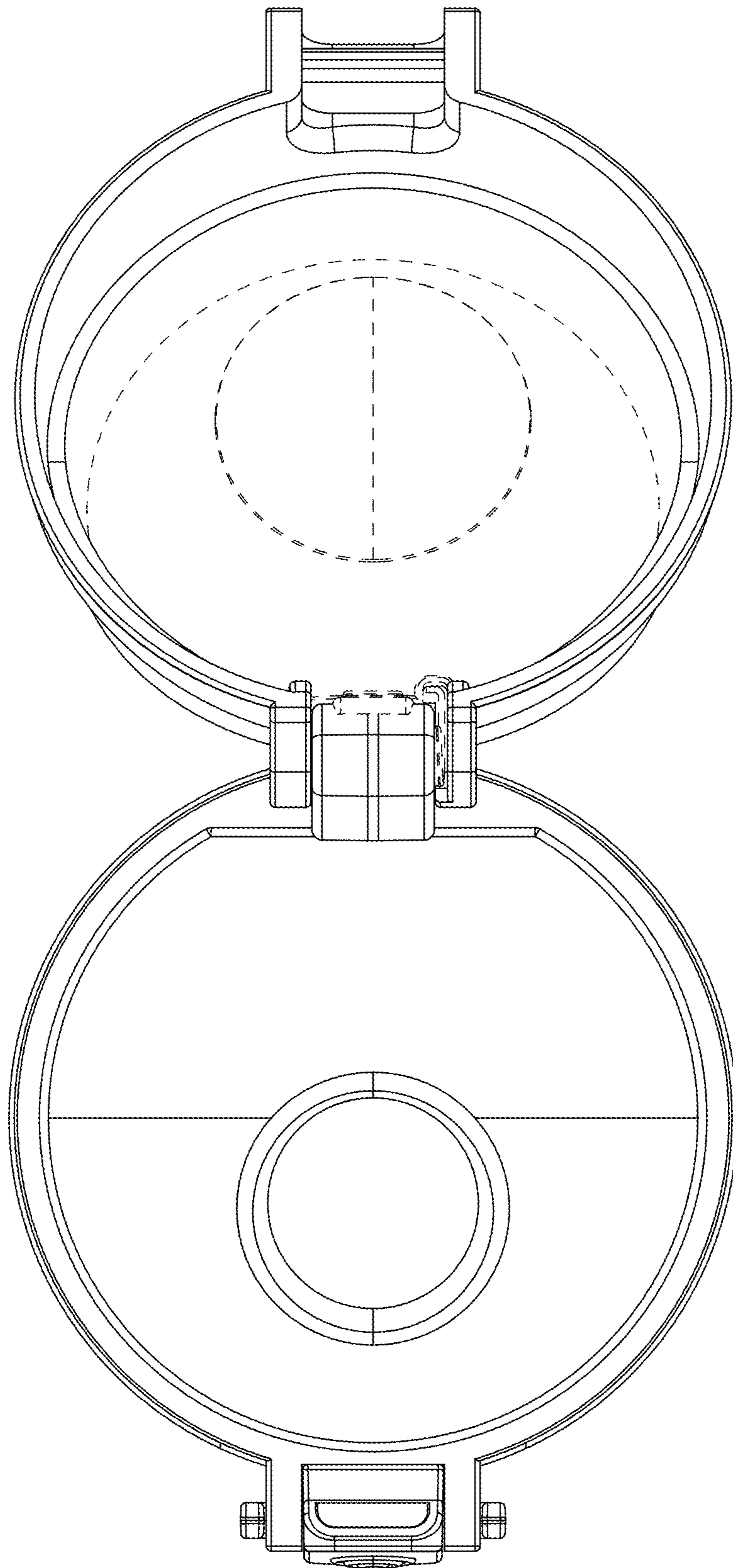


FIG. 11