



US00D902647S

(12) **United States Design Patent** (10) **Patent No.:** **US D902,647 S**
McCabe et al. (45) **Date of Patent:** **** Nov. 24, 2020**

(54) **BEVERAGE CONTAINER LID**

(71) Applicant: **Leapfrog Product Development LLC**,
Chicago, IL (US)

(72) Inventors: **Micaela K. McCabe**, Chicago, IL (US);
Brian M. Clemens, Burnsville, MN
(US); **Steven N. Pinelli**, Ogden Dunes,
IN (US); **Glen C. Gilmore, III**,
Naperville, IL (US); **Richard E.**
Ellison, Chicago, IL (US); **Derek J.**
Leatzow, Chicago, IL (US); **Kurtis M.**
Sward, Anna Maria, FL (US)

(73) Assignee: **Leapfrog Product Development LLC**,
Chicago, IL (US)

(**) Term: **15 Years**

(21) Appl. No.: **29/684,574**

(22) Filed: **Mar. 22, 2019**

(51) **LOC (12) Cl.** **07-99**

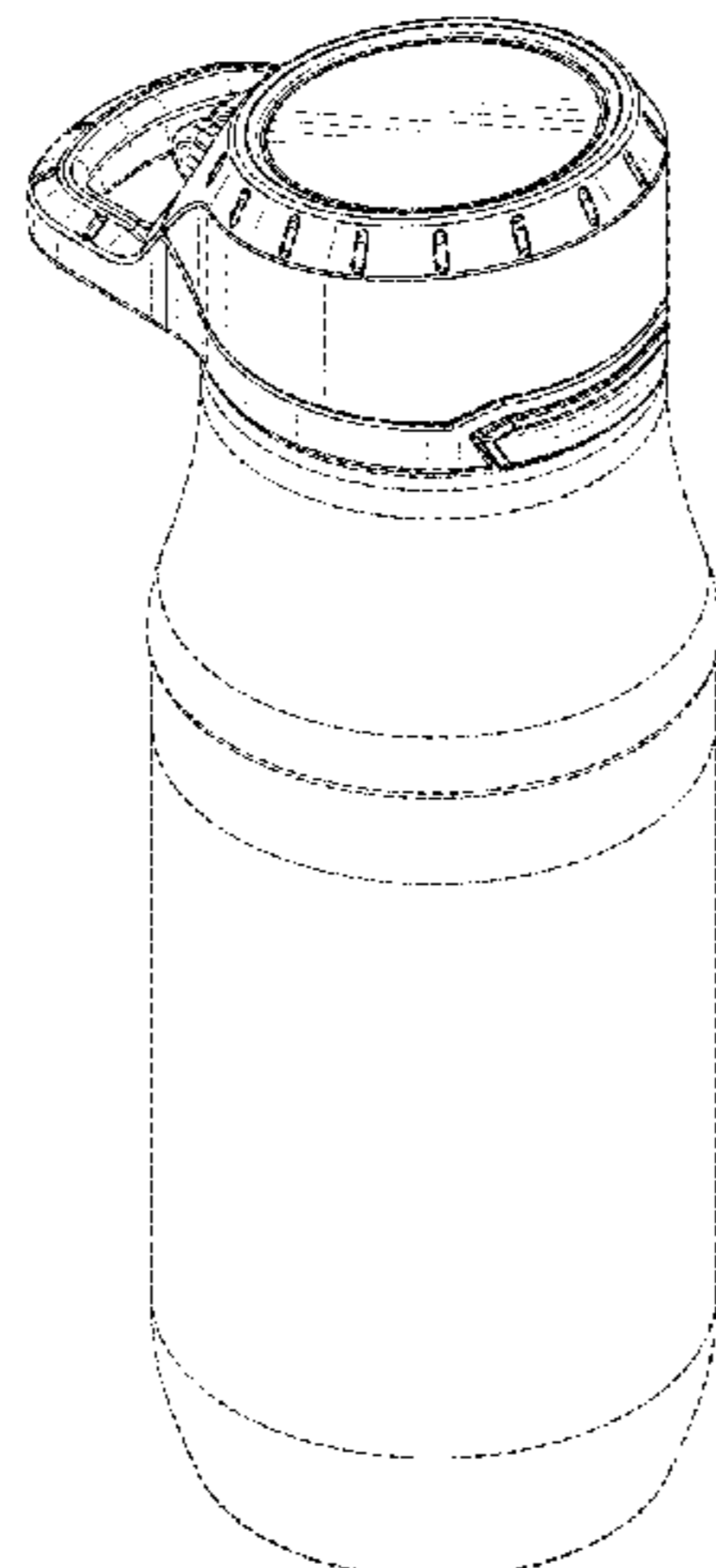
(52) **U.S. Cl.**
USPC **D7/392.1; D7/396.2; D9/443**

(58) **Field of Classification Search**
USPC D9/414, 415, 432, 434, 435, 443-453,
D9/455-457, 499, 503, 504, 682, 685,
D9/686; D7/387, 391, 392, 392.1, 394,
D7/396.1-396.4, 506, 507, 509-511, 538,
D7/900; D3/202, 203.2, 294, 318;
D28/91, 91.1
CPC .. A61J 1/00; A61J 1/1412; B65D 1/00; B65D
1/02; B65D 1/10; B65D 1/46; B65D
5/46; B65D 41/00; B65D 41/38; B65D
41/56; B65D 41/62; B65D 47/00; B65D
47/06; B65D 47/08; B65D 2251/00;
B65D 2543/00046; B65D 2543/00092;
B65D 2543/00296; B65D 2585/56; B65D
2585/545
See application file for complete search history.

D485,132 S 1/2004 Ohno et al.
D505,294 S 5/2005 Gauss
D508,185 S * 8/2005 Gauss D7/392.1
D515,357 S 2/2006 Ward et al.
D528,862 S * 9/2006 Li D7/510
D533,061 S * 12/2006 Li D9/443
D564,841 S 3/2008 Clemens et al.
D579,722 S 11/2008 Sakulsacha et al.
D581,727 S 12/2008 Pinelli et al.
D592,456 S 5/2009 Pinelli et al.
D592,905 S 5/2009 Pinelli et al.
D592,913 S * 5/2009 Pinelli D7/510
7,546,933 B2 6/2009 Pinelli
D609,964 S 2/2010 Lane
D643,249 S 8/2011 Miller et al.
7,997,442 B2 8/2011 Pinelli
D655,580 S 3/2012 Kotani
D656,787 S 4/2012 Phillips et al.
D661,945 S 6/2012 Eyal
D675,060 S * 1/2013 Lane D7/392.1
8,360,267 B1 1/2013 Chiou et al.
D686,871 S * 7/2013 Lane D7/392.1
D693,629 S 11/2013 Miller
D693,630 S 11/2013 Hurley et al.
8,579,133 B2 11/2013 Marcus et al.
8,590,731 B2 11/2013 Pinelli
D700,012 S * 2/2014 Hurley D7/392.1
D700,802 S 3/2014 Miller
8,978,906 B2 3/2015 Feeley et al.
D725,966 S 4/2015 Boroski et al.
D739,183 S 9/2015 Lane
9,266,643 B2 2/2016 Marcus et al.
D758,189 S * 6/2016 Roth D7/392.1
D758,790 S * 6/2016 Boroski D7/396.2
D780,578 S * 3/2017 Lane D7/396.2
D785,402 S 5/2017 Shirley et al.
D793,804 S 8/2017 Herbst et al.
D794,453 S 8/2017 Boroski et al.
D795,011 S 8/2017 Pisarevsky
D799,898 S * 10/2017 Yao D7/510
D802,993 S * 11/2017 Joseph D7/392.1
D804,903 S * 12/2017 Mason D7/510
D804,904 S 12/2017 Noveletsky et al.
D808,220 S * 1/2018 Burns D7/510
D809,384 S * 2/2018 Best D9/443
D814,398 S 4/2018 Yasunaga
D817,713 S 5/2018 Lin
D818,767 S 5/2018 Nezu
D821,136 S 6/2018 Silsby et al.
D821,137 S 6/2018 Boroski
D821,815 S 7/2018 Chung
D822,427 S * 7/2018 Sorensen D7/392.1
D831,425 S * 10/2018 Best D7/510

(56) **References Cited**
U.S. PATENT DOCUMENTS

D364,810 S 12/1995 Meisner
D471,455 S * 3/2003 Laveault D9/443



D831,433 S	10/2018	Fleischhut	
D835,939 S	12/2018	Yee et al.	
D839,044 S *	1/2019	Potter	D7/392.1
D841,398 S *	2/2019	Gauss	D7/511
D848,787 S	5/2019	Tatsukawa et al.	
D853,181 S *	7/2019	Stanton	D7/392.1
D853,784 S	7/2019	Wu	
D865,457 S	11/2019	Kotani	
D869,230 S	12/2019	Hao	
D870,509 S	12/2019	Bo	
2011/0089059 A1	4/2011	Lane et al.	
2012/0312832 A1 *	12/2012	Lane	B65D 51/242 220/833
2014/0339177 A1 *	11/2014	Lane	A45F 3/18 210/767
2015/0282654 A1	10/2015	Kurabe et al.	
2017/0297785 A1	10/2017	Maruyama et al.	

OTHER PUBLICATIONS

Zulu, “Atlas20 oz Glass Water Bottle,” accessed on-line at: <https://www.zuluathletic.com/shop-all/atlas-glass-water-ottle> (available at least as early as Mar. 22, 2019).

Kor, “Vida Bottle—25oz,” accessed on-line at: <https://waterbottles.com/kor-vida-bottle-25-oz> (available at least as early as Mar. 22, 2019).

Thermos, “Hydration Bottle with Rotating Intake Meter, 24oz,” accessed on-line at: <https://www.thermos.com/genuine-thermos-brand-hydration-bottle-with-rotating-intake-meter-24oz.html> (available at least as early as Mar. 22, 2019).

Thermos, “Shaker Bottle with Integrated Mixer, 24oz,” accessed on-line at: <https://www.thermos.com/genuine-thermos-brand-shaker-bottle-with-integrated-mixer-24oz-clear-green-accent.html> (available at least as early as Mar. 22, 2019).

Tervis, “Custom Water Bottle,” accessed on-line at: <https://www.tervis.com/turtle-sunset-stainless-steel-24oz-stainless-water-bottle-1362572.html> (available at least as early as Mar. 22, 2019).

Swell, “Bottles,” accessed on-line at: <https://www.swell.com/shop/swell/bottles/> (available at least as early as Mar. 22, 2019).

Tritan, “32 oz Soft Straw Plastic Water Bottle,” accessed on-line at: <http://www.pogogear.com/32oz-tritan-straw> (available at least as early as Mar. 22, 2019).

Tritan, “32oz Chug Plastic Water Bottle,” accessed on-line at: <http://www.pogogear.com/32oz-tritan-chug> (available at least as early as Mar. 22, 2019).

Tritan, “18oz Chug Plastic Water Bottle,” accessed on-line at: <http://www.pogogear.com/18oz-tritan-chug> (available at least as early as Mar. 22, 2019).

ello, “chi 24oz BPA-Free Tritan Plastic Water Bottle,” accessed on-line at: <https://www.elloproducts.com/water-bottles/chi-24oz-plastic-water-bottle> (available at least as early as Mar. 22, 2019).

ello, “Dash 16oz 2pk Tritan Plastic Water Bottles,” accessed on-line at: <https://www.elloproducts.com/kids/dash-16oz-tritan-plastic-water-bottle> (available at least as early as Mar. 22, 2019).

ello, “Cru Stemless Wine glass Set with Silicone Protection,” accessed on-line at: <https://www.elloproducts.com/tumblers/cru-stemless-wine-glass-set-with-silicone-protection> (available at least as early as Mar. 22, 2019).

Zulu, “Atlas20 oz Glass Water Bottle,” accessed on-line at: <https://www.zuluathletic.com/shop-all/atlas-glass-water-bottle> (available at least as early as Mar. 22, 2019).

Aladdin, “Water Bottle,” (1 page) (available at least as early as Mar. 22, 2019).

ello, “Elsie 22oz Glass Water Bottle,” accessed on-line at: <https://www.elloproducts.com/water-bottles/elsie-22oz-glass-water-bottle> (available at least as early as Mar. 22, 2019).

ello, “Beacon 24oz Vacuum Insulated Stainless Tumbler,” accessed on-line at: <https://www.elloproducts.com/tumblers/beacon-24oz-vacuum-insulated-stainless-tumbler> (available at least as early as Mar. 22, 2019).

ello, “Rise 12oz Vacuum Insulated Stainless Steel Tumbler with Optional Straw,” accessed on-line at: <https://www.elloproducts.com/kids/rise-12oz-vacuum-insulated-stainless-steel-tumbler> (available at least as early as Mar. 22, 2019).

ello, “Hammertime 18oz Stainless Steel Travel Mug,” accessed on-line at: <https://www.elloproducts.com/travel-mugs/hammertime-18oz-vacuum-insulated-stainless-steel-travel-mug> (available at least as early as Mar. 22, 2019).

ello, “Pure 20oz Glass Water Bottle,” accessed on-line at: <https://www.elloproducts.com/water-bottles/pure-20oz-glass-water-bottle> (available at least as early as Mar. 22, 2019).

ello, “Max 12oz Vacuum-Insulated Stainless Steel Kids Water Bottle,” accessed on-line at: <https://www.elloproducts.com/kids/max-12oz-vacuum-insulated-stainless-steel-kids-water-bottle> (available at least as early as Mar. 22, 2019).

ello, “Syndicate 20oz Glass Water Bottle,” accessed on-line at: <https://www.elloproducts.com/water-bottles/syndicate-20oz-glass-water-bottle> (available at least as early as Mar. 22, 2019).

Mason, “Glass Jar,” (1 page) (available at least as early as Mar. 22, 2019).

Camelbak, “Eddy+ 1L Bottle,” accessed on-line at: https://www.camelbak.com/en/bottles/R02056—Eddy_75L_2019?color=6bbd0584f3a64b0eb30d406f7e03797e (available at least as early as Mar. 22, 2019).

Contigo, “Autoseal West Loop 2.0 Stainless,” accessed on-line at: <https://www.gocontigo.com/20-oz-autoseal-west-loop-stainless-travel-mug-with-easy-clean-lid.html> (available at least as early as Mar. 22, 2019).

Contigo, “Autospout Straw Striker Chill,” accessed on-line at: <https://www.gocontigo.com/14-oz-autospout-striker-kids-water-bottle.html> (available at least as early as Mar. 22, 2019).

Zojirushi, “Travel Mug SM-YAE48,” accessed on-line at: <https://www.zojirushi.com/app/product/smyae> (available at least as early as Mar. 22, 2019).

Zojirushi, “Stainless Mug SM-KC3648,” accessed on-line at: <https://www.zojirushi.com/app/product/smkc> (available at least as early as Mar. 22, 2019).

Zojirushi, “Stainless Bottle SJ-JS10,” accessed on-line at: <https://www.zojirushi.com/app/product/sjjs> (available at least as early as Mar. 22, 2019).

Zojirushi, “Flip-and-Go Stainless Mug SM-QHE48/60,” accessed on-line at: <https://www.zojirushi.com/app/product/smqhe> (available at least as early as Mar. 22, 2019).

Zojirushi, “Stainless Mug SM-TAE48SA, Ichimatsu Collection,” accessed on-line at: <https://www.zojirushi.com/app/product/smtae> (available at least as early as Mar. 22, 2019).

Zojirushi, “Stainless Mug SM-TA36/48/60,” accessed on-line at: <https://www.zojirushi.com/app/product/smta> (available at least as early as Mar. 22, 2019).

Zojirushi, “Stainless Mug SM-SE36/48/60,” accessed on-line at: <https://www.zojirushi.com/app/product/smse> (available at least as early as Mar. 22, 2019).

Zojirushi, “Stainless Mug SM-SD36/48/60,” accessed on-line at: <https://www.zojirushi.com/app/product/smsd> (available at least as early as Mar. 22, 2019).

Zojirushi, “Stainless Mug SM-SHE48/60,” accessed on-line at: <https://www.zojirushi.com/app/product/smshe> (available at least as early as Mar. 22, 2019).

Zojirushi, “Stainless Mug SM-KHE36/48,” accessed on-line at: <https://www.zojirushi.com/app/product/smkhe> (available at least as early as Mar. 22, 2019).

Zojirushi, “Stainless Mug SM-SC36/48/60” accessed on-line at: <https://www.zojirushi.com/app/product/smsc> (available at least as early as Mar. 22, 2019).

Zojirushi, “Stainless Mug SM-PC20/30,” accessed on-line at: <https://www.zojirushi.com/app/product/smpc> (available at least as early as Mar. 22, 2019).

Zojirushi, “Stainless Mug SM-PB30/34,” accessed on-line at: <https://www.zojirushi.com/app/product/smpb> (available at least as early as Mar. 22, 2019).

Migo, “Enjoy Sport Water Bottle,” accessed on-line at: <https://www.pinterest.ru/pin/12666442685646757/> (available at least as early as Mar. 22, 2019).

Coleman, "Switch SS," accessed on-line at: https://www.coleman.com/all-camp-kitchen/drinkware/switch-ss/col_2038485_pr/COL_2038485 (available at least as early as Mar. 22, 2019).

Corkcicle, "Classic Arctican," accessed on-line at: <https://corkcicle.com/products/classic-arctican?variant=475182759951> (available at least as early as Mar. 22, 2019).

Ello, "Reflex Beverage Container," (1 page) (available at least as early as Mar. 22, 2019).

* cited by examiner

Primary Examiner — Wendy L Arminio

(74) *Attorney, Agent, or Firm* — Barnes & Thornburg LLP

(57) **CLAIM**

We claim the ornamental design for a beverage container lid, as shown and described.

DESCRIPTION

FIG. 1 is a top perspective view of the beverage container lid according to the new design.

FIG. 2 is a bottom perspective view of the beverage container lid shown in FIG. 1.

FIG. 3 is a front elevation view of the beverage container lid shown in FIG. 1.

FIG. 4 is a rear elevation view of the beverage container lid shown in FIG. 1.

FIG. 5 is a left side elevation view of the beverage container lid shown in FIG. 1.

FIG. 6 is a right side elevation view of the beverage container lid shown in FIG. 1.

FIG. 7 is a top plan view of the beverage container lid shown in FIG. 1; and,

FIG. 8 is a bottom plan view of the beverage container lid shown in FIG. 1.

The broken lines illustrating a beverage container depict environment and form no part of the claimed design. All other broken lines depict portions of the beverage container LID that form no part of the claimed design.

1 Claim, 8 Drawing Sheets

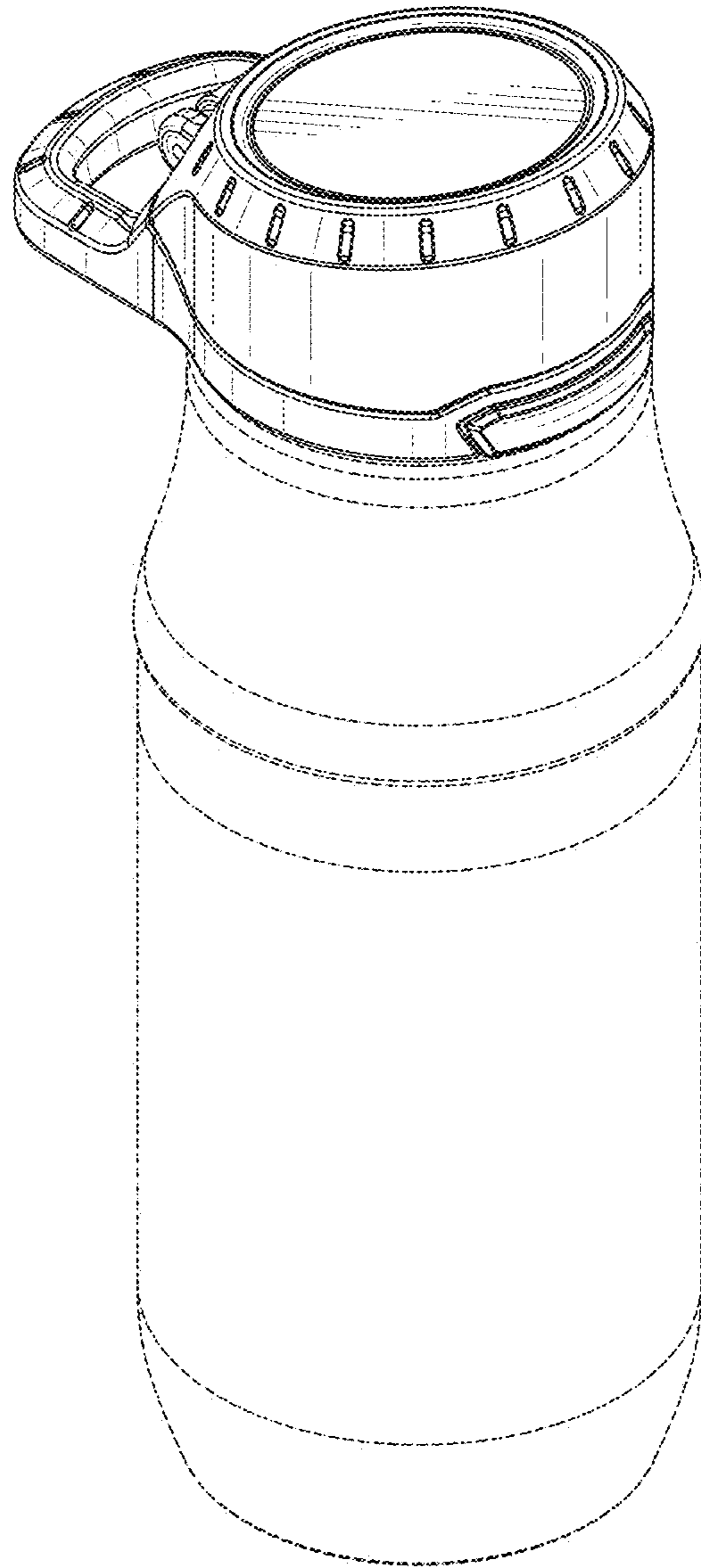


FIG. 1

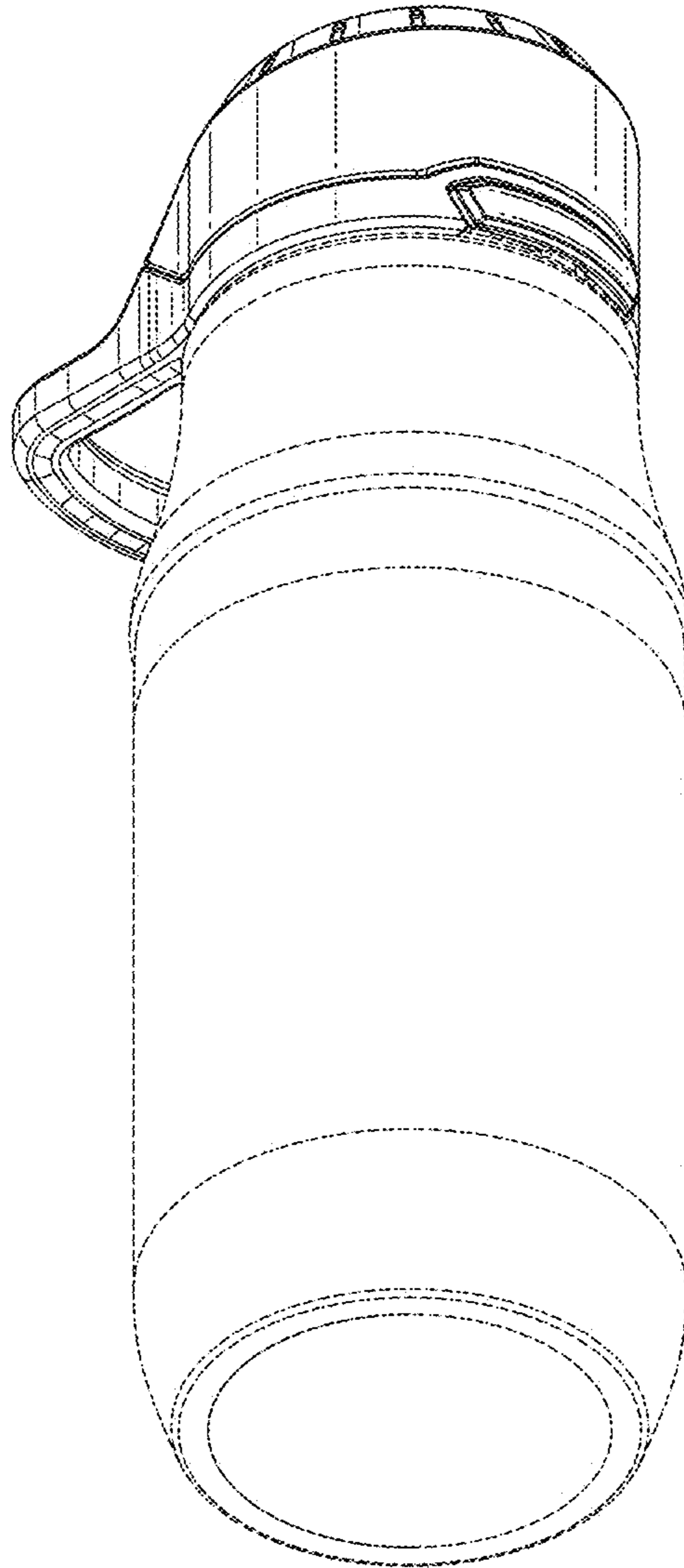


FIG. 2

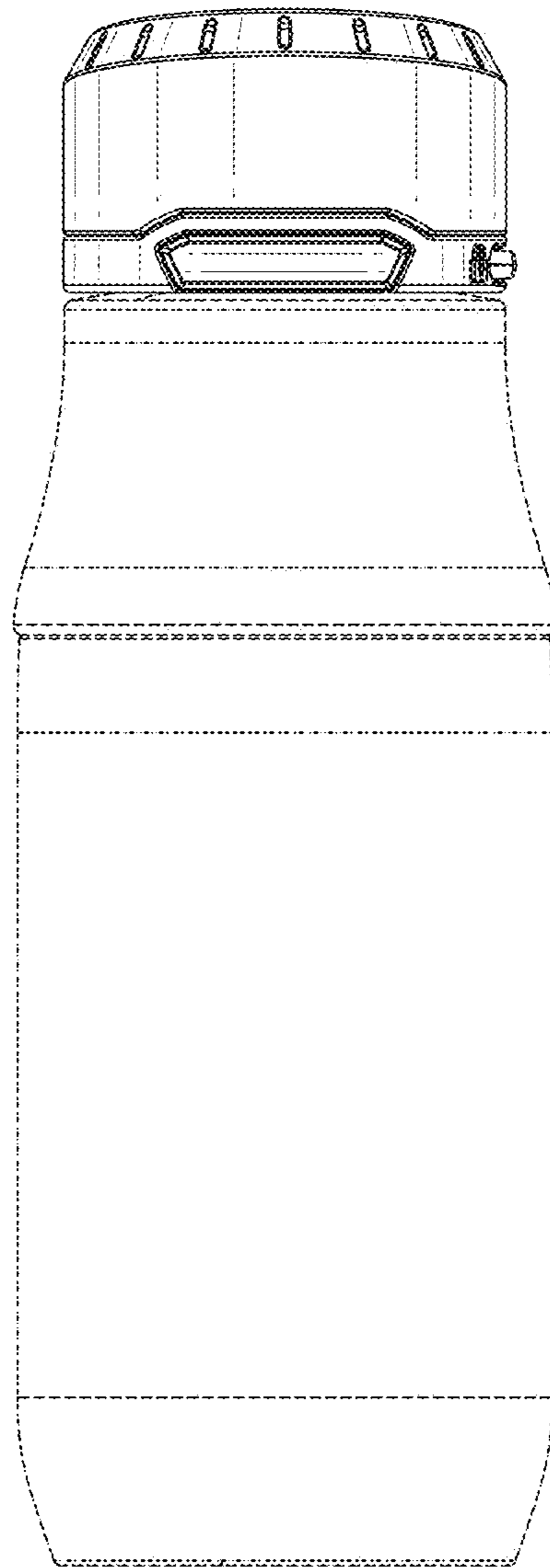


FIG. 3

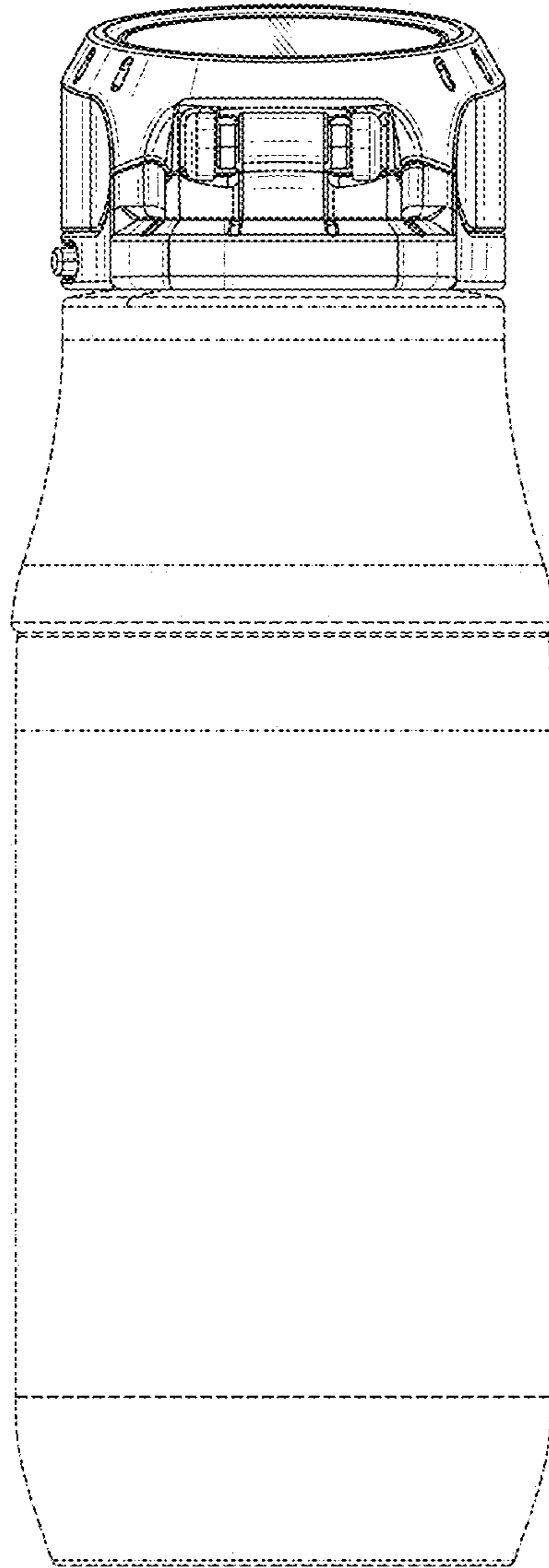


FIG. 4

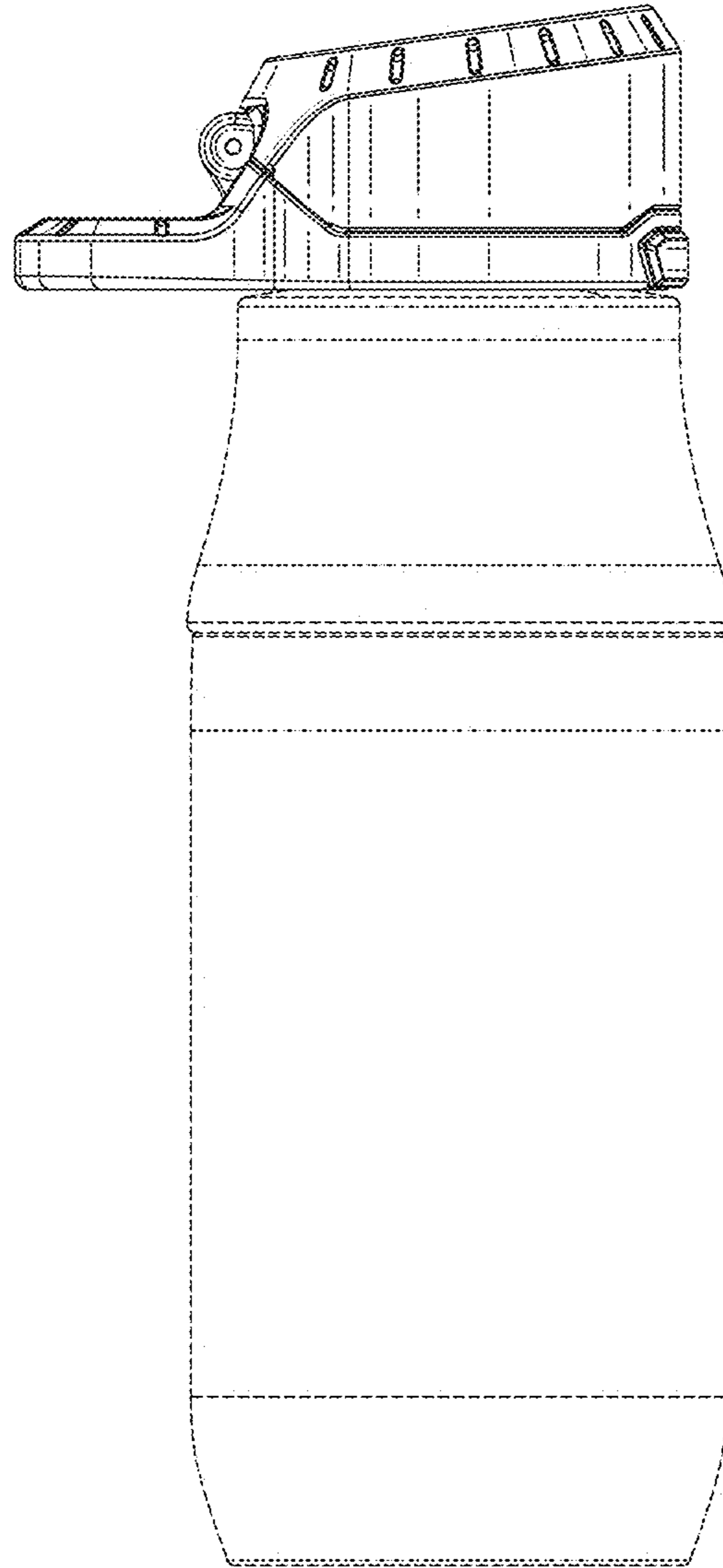


FIG. 5

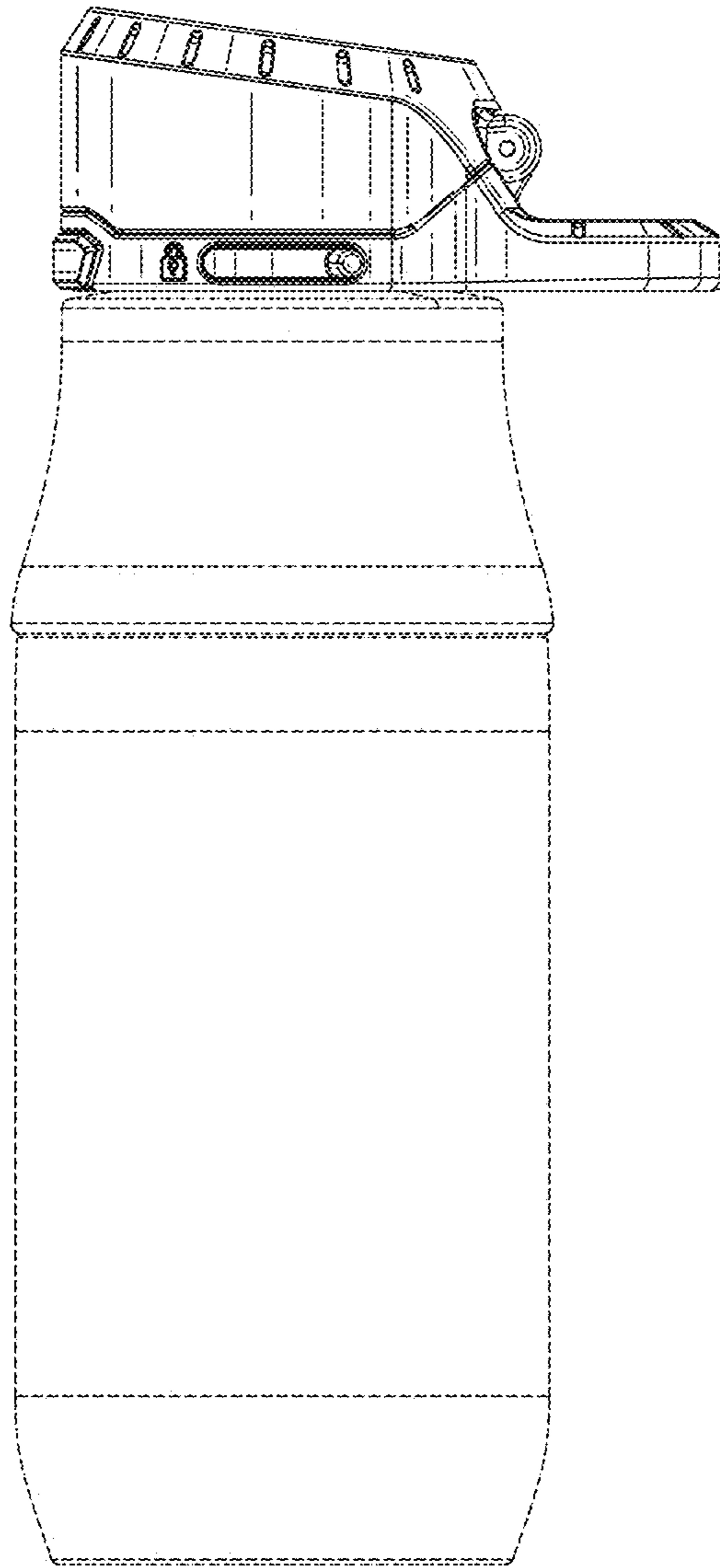


FIG. 6

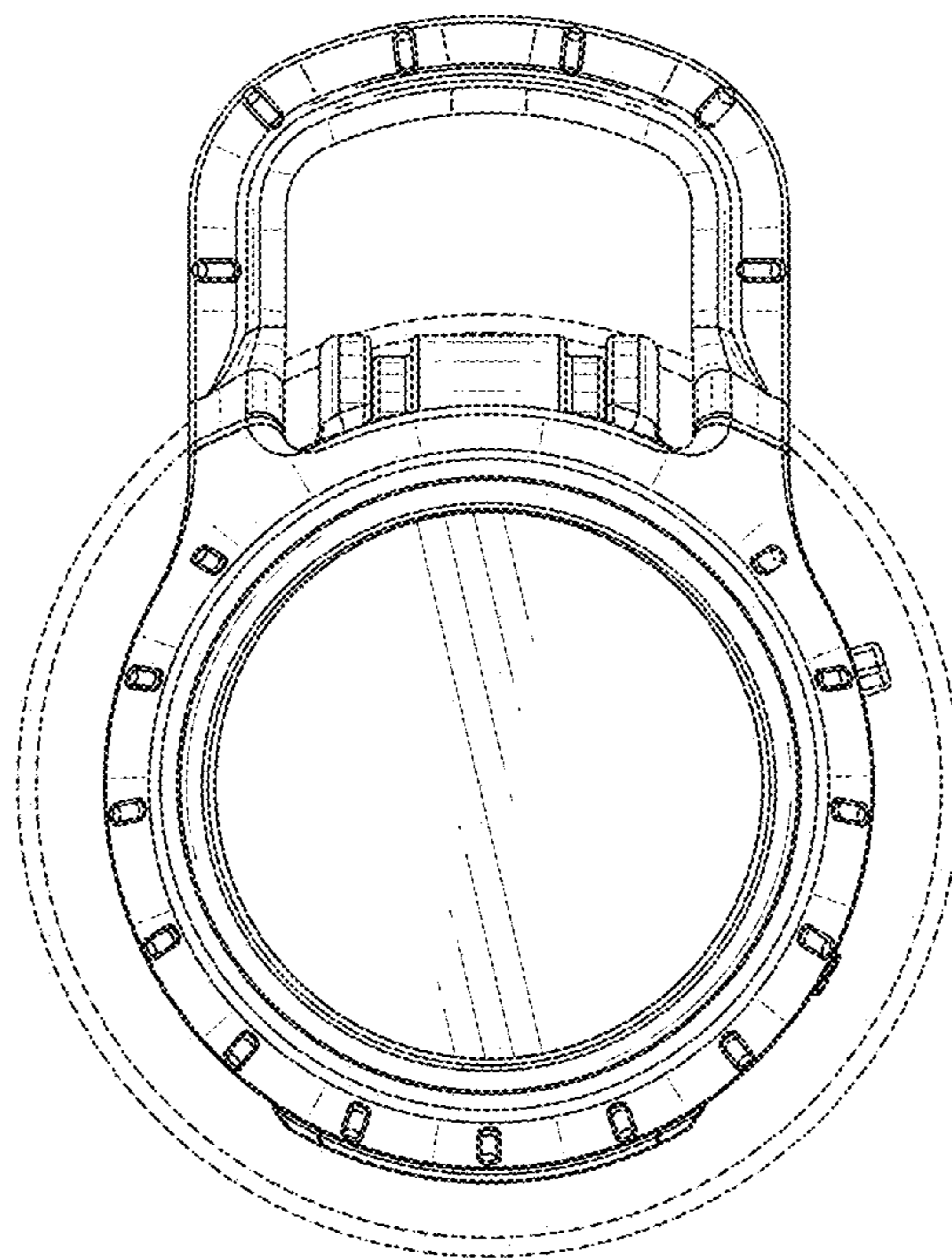


FIG. 7

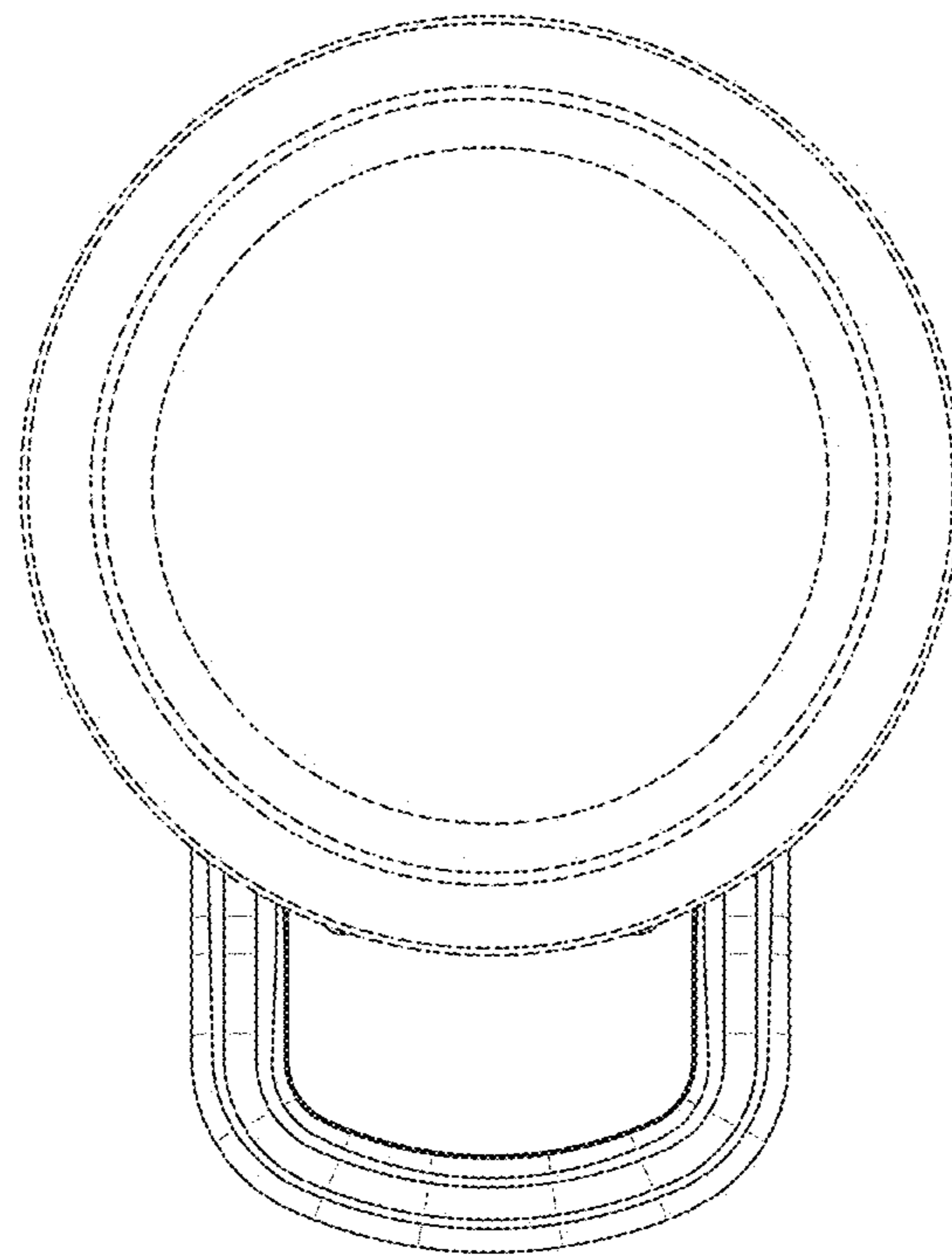


FIG. 8