



US00D902646S

(12) **United States Design Patent** (10) **Patent No.:** **US D902,646 S**  
**Seiders et al.** (45) **Date of Patent:** **\*\* Nov. 24, 2020**

- (54) **CONTAINER**
- (71) Applicant: **YETI Coolers, LLC**, Austin, TX (US)
- (72) Inventors: **Roy Joseph Seiders**, Austin, TX (US);  
**Matthew Joseph Petrillo**, Austin, TX (US);  
**Kyle Ellison**, Austin, TX (US)
- (73) Assignee: **YETI Coolers, LLC**, Austin, TX (US)
- (\*\*) Term: **15 Years**
- (21) Appl. No.: **29/674,592**
- (22) Filed: **Dec. 21, 2018**

**Related U.S. Application Data**

- (63) Continuation of application No. 29/606,307, filed on Jun. 2, 2017, now Pat. No. Des. 836,395.
- (51) **LOC (12) Cl.** ..... **07-01**
- (52) **U.S. Cl.**  
USPC ..... **D7/392.1; D7/396.2**
- (58) **Field of Classification Search**  
USPC ..... D7/392.1, 396.2, 387, 396.3, 388, 900,  
D7/507, 555, 510, 511, 533, 536, 397,  
D7/398, 396.1, 620, 619.1, 532, 509, 608;  
D9/436, 434, 435, 454, 420, 414, 453,  
D9/555, 553, 568, 450; 220/200, 703,  
220/592.16, 592.17; D8/382, 395, 396,  
D8/394; D11/143, 153  
CPC ..... B65D 41/56; B65D 43/02; B65D 1/265;  
A47G 19/2216; A47G 19/22; A47G  
19/2222  
See application file for complete search history.

(56) **References Cited**

**U.S. PATENT DOCUMENTS**

|             |         |                  |
|-------------|---------|------------------|
| D192,192 S  | 2/1962  | Tupper           |
| 4,090,660 A | 5/1978  | Schram et al.    |
| 4,202,459 A | 5/1980  | DeParales et al. |
| 4,408,703 A | 10/1983 | Libit            |
| D288,667 S  | 3/1987  | Miner            |

|              |         |                      |
|--------------|---------|----------------------|
| D363,666 S   | 10/1995 | Goto et al.          |
| 5,574,252 A  | 11/1996 | Hill                 |
| 5,746,338 A  | 5/1998  | Takahashi et al.     |
| D416,755 S   | 11/1999 | Trombly              |
| D485,759 S * | 1/2004  | Janky ..... D7/392.1 |

(Continued)

**FOREIGN PATENT DOCUMENTS**

|    |            |        |
|----|------------|--------|
| EP | 0654417 A1 | 5/1995 |
| EP | 1332977 A1 | 8/2003 |
| GB | 253358 A   | 6/1926 |

**OTHER PUBLICATIONS**

“Bubba Brands Classic Insulated Travel Mug”. Found online Mar. 9, 2017 at amazon.com. Page dated Sep. 30, 2010. Retrieved from [https://www.amazon.com/Bubba-Brands-1953403-Classic-Insulated/dp/B01FB71G8Y/ref=cm\\_cr\\_arp\\_d\\_product\\_top?ie=UTF8](https://www.amazon.com/Bubba-Brands-1953403-Classic-Insulated/dp/B01FB71G8Y/ref=cm_cr_arp_d_product_top?ie=UTF8).

(Continued)

*Primary Examiner* — Jae Liang  
(74) *Attorney, Agent, or Firm* — Banner & Witcoff, Ltd.

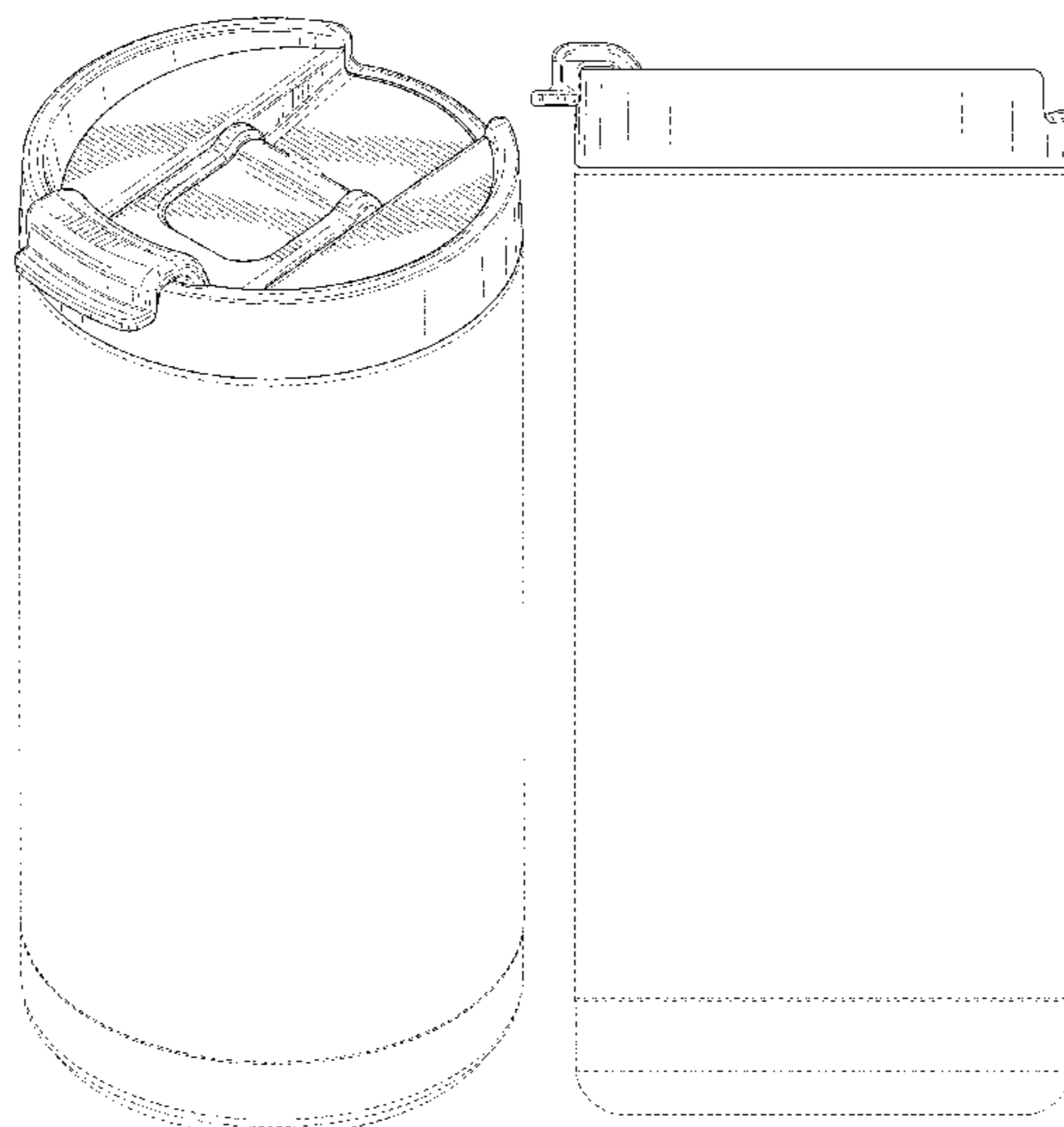
(57) **CLAIM**

The ornamental design for a container, as shown and described.

**DESCRIPTION**

FIG. 1 is a top, front, right perspective view of a container showing our new design;  
FIG. 2 is a front view thereof;  
FIG. 3 is a rear view thereof;  
FIG. 4 is a right side view thereof;  
FIG. 5 is a left side view thereof;  
FIG. 6 is a top view thereof; and,  
FIG. 7 is a bottom view thereof.  
The broken lines immediately adjacent to the shaded area represent unclaimed boundaries of the design. The broken lines depicting the remainder of the container show features that form no part of the claimed design.

**1 Claim, 7 Drawing Sheets**



(56)

References Cited

U.S. PATENT DOCUMENTS

D504,796 S 5/2005 Schuler et al.  
 D544,749 S 6/2007 Seum et al.  
 D552,926 S 10/2007 Yelland  
 D584,566 S 1/2009 Fuller  
 D604,103 S \* 11/2009 Alviar ..... D7/510  
 D608,140 S 1/2010 Gilbert  
 D623,017 S 9/2010 George  
 D627,600 S 11/2010 Eyal  
 D632,132 S \* 2/2011 George ..... D7/510  
 D643,245 S 8/2011 Minarsch  
 D644,060 S 8/2011 Komeiji  
 D647,753 S 11/2011 Lin  
 D655,570 S 3/2012 Meehan  
 D655,604 S 3/2012 Molina et al.  
 D655,967 S 3/2012 Bodum  
 D662,354 S 6/2012 Bodum  
 D666,052 S 8/2012 Trombly  
 D667,263 S 9/2012 Gilbert et al.  
 8,276,776 B2 10/2012 Roth et al.  
 D674,663 S 1/2013 Cahen  
 D691,416 S 10/2013 Eyal  
 D692,756 S 11/2013 McClellan et al.  
 D696,900 S 1/2014 George et al.  
 D710,698 S 8/2014 Giraud et al.  
 D715,100 S 10/2014 Eyal  
 D717,103 S 11/2014 Wilbur  
 D717,115 S 11/2014 Lane et al.  
 D721,535 S 1/2015 Chapman et al.  
 D721,540 S \* 1/2015 Grcic ..... D7/511  
 D732,337 S 6/2015 Coon et al.  
 D747,199 S 1/2016 Phillips  
 D751,340 S 3/2016 Seiders et al.  
 D751,341 S 3/2016 Seiders et al.  
 D752,381 S 3/2016 Wahl  
 D752,397 S 3/2016 Seiders et al.  
 9,346,076 B1 5/2016 Ford  
 D761,618 S 7/2016 Lapsker  
 D764,869 S \* 8/2016 Smrtnik ..... D7/507  
 D772,651 S \* 11/2016 Leonard ..... D7/510  
 D779,872 S 2/2017 Bergstrom  
 D780,531 S 3/2017 Seiders et al.  
 D789,737 S \* 6/2017 Eyal ..... D7/300.1  
 D795,020 S 8/2017 Seiders et al.  
 D796,256 S 9/2017 Stover et al.  
 D796,905 S \* 9/2017 Kestenbaum ..... D7/510  
 D799,899 S 10/2017 Rummel et al.  
 D801,746 S 11/2017 Thuma et al.  
 D802,362 S 11/2017 Spivey et al.  
 D803,619 S \* 11/2017 Seiders ..... D7/392.1  
 D803,684 S \* 11/2017 Seiders ..... D9/449  
 D804,905 S 12/2017 Seiders et al.  
 D805,838 S 12/2017 Guthrie  
 D807,701 S 1/2018 Bo  
 D808,218 S 1/2018 Seiders et al.  
 D814,240 S 4/2018 Kabalin  
 D814,857 S \* 4/2018 Rolfson ..... D7/392.1  
 D825,995 S \* 8/2018 Kestenbaum ..... D7/532  
 D834,881 S \* 12/2018 Seiders ..... D7/392.1  
 D834,882 S \* 12/2018 Seiders ..... D7/392.1  
 D836,974 S \* 1/2019 Seiders ..... D7/392.1  
 D838,138 S \* 1/2019 Yao ..... D7/507  
 D844,382 S \* 4/2019 Seiders ..... D7/510  
 D844,383 S \* 4/2019 Seiders ..... D7/510  
 10,252,838 B2 4/2019 Ban  
 D861,415 S \* 10/2019 Seiders ..... D7/392.1

D863,876 S \* 10/2019 Alprin ..... D7/392.1  
 D880,941 S \* 4/2020 Silsby ..... D7/510  
 D882,334 S \* 4/2020 Henkel ..... D7/396.2  
 D886,514 S \* 6/2020 Kander ..... D7/392  
 2010/0288782 A1 11/2010 Lin  
 2011/0114655 A1 5/2011 Bailey  
 2012/0125931 A1 5/2012 Roth et al.  
 2013/0186918 A1 7/2013 Menceles et al.  
 2014/0374418 A1 12/2014 Ouellette  
 2015/0021345 A1 1/2015 Wu  
 2015/0266597 A1 9/2015 Hertzog et al.  
 2017/0273484 A1 9/2017 Spivey et al.

OTHER PUBLICATIONS

“Hydro Flask Wide Mouth Hydro Flip Lid”. Found online Mar. 9, 2017 at amazon.com. Page dated Oct. 9, 2012. Retrieved from [http://www.amazon.com/Hydro-Flask-Wide-Mouth-Black/dp/B01GW2H430/ref=cm\\_cr\\_arp\\_d\\_product\\_top?ie=UTF8](http://www.amazon.com/Hydro-Flask-Wide-Mouth-Black/dp/B01GW2H430/ref=cm_cr_arp_d_product_top?ie=UTF8).  
 “Bubba HERO Bottle Replacement Lid”. Found online Mar. 9, 2017 at amazon.com. Page dated Jan. 14, 2015. Retrieved from [https://www.amazon.com/bubba-HERO-bottle-replacement-lid/dp/B00QQYDI44/ref=cm\\_cr\\_arp\\_d\\_product\\_top?ie=UTF8](https://www.amazon.com/bubba-HERO-bottle-replacement-lid/dp/B00QQYDI44/ref=cm_cr_arp_d_product_top?ie=UTF8).  
 Hydro Flask. Hydro Flip. 2015 [earliest online date], [site visited Apr. 28, 2017]. Available from Internet, <URL:<https://www.hydroflask.com/hydro-flip#92=57>>.  
 “Contigo Extreme Stainless Steel Travel Mug”. Found online Mar. 9, 2017 at amazon.com. Page dated Sep. 13, 2016. Retrieved from [https://www.amazon.com/Contigo-Extreme-Stainless-Insulated-Limited/dp/B01LZGBMKT/ref=pd\\_sim\\_79\\_3?encoding=UTF8&psc=&refRID=A4VHP8EG6AKH3BG73BMZ](https://www.amazon.com/Contigo-Extreme-Stainless-Insulated-Limited/dp/B01LZGBMKT/ref=pd_sim_79_3?encoding=UTF8&psc=&refRID=A4VHP8EG6AKH3BG73BMZ).  
 Jane. Spill Resistant Flip Lid and Yeti Accessories. Dec. 5, 2016 [earliest online date], [site visited Apr. 28, 2017]. Available from Internet, <URL:<https://jane.com/deal/263319/spill-resistant-flip-lid-and-yeti-accessories-30oz-many-colors>>.  
 Aug. 23, 2017—(WO) International Search and Written Opinion—App. PCT/US2017/038341.  
 Aug. 23, 2017—(WO) International Search Report and Written Opinion—App. PCT/US2017/038344.  
 “Bodum Insulated Plastic Travel Mug”. Found online Mar. 9, 2017 at amazon.com. Page dated Aug. 10, 2012. Retrieved from <[https://www.amazon.com/...d-Plastic-0-45-Liter-15-Ounce/dp/B0093EPIG0/ref=sr\\_1\\_133?ie=UTF8&qid=1489084258&sr=8-133&keywords=mug+lid&refinements=p\\_72%3A2661621011](https://www.amazon.com/...d-Plastic-0-45-Liter-15-Ounce/dp/B0093EPIG0/ref=sr_1_133?ie=UTF8&qid=1489084258&sr=8-133&keywords=mug+lid&refinements=p_72%3A2661621011)>.  
 “Dunkin Donuts Stainless Steel Travel Mug”. Found online Mar. 9, 2017 at ebay.com. Page dated 2012. <[http://www.ebay.com/...-Steel-Orange-Lid-Travel-Mug-Cup-Tumbler-Collectible-14z-/282119881890?roken=cUgayN&nma=true&si=vbBRUtUfjYDAX%252FF9%252BjwOhPV%252Fbio%253D&orig\\_cvip=true&rt=nc&\\_trksid=p2047675.12557](http://www.ebay.com/...-Steel-Orange-Lid-Travel-Mug-Cup-Tumbler-Collectible-14z-/282119881890?roken=cUgayN&nma=true&si=vbBRUtUfjYDAX%252FF9%252BjwOhPV%252Fbio%253D&orig_cvip=true&rt=nc&_trksid=p2047675.12557)>.  
 “Nutri Ninja Blender 24 oz Cup and Sip N Seal Lid”. Found online Aug. 14, 2018 at amazon.com. Page dated Oct. 29, 2015. Retrieved from <[http://www.amazon.com/UTF8&pd\\_rd\\_i=B017C501G4&pd\\_rd\\_r=4CQK27ABX6AHV038GMGF&pd\\_rd\\_w=jABEu&pd\\_rd\\_wg=zg0K2&psc=1&refRID=4CQK27ABX6AHV038GMGF](http://www.amazon.com/UTF8&pd_rd_i=B017C501G4&pd_rd_r=4CQK27ABX6AHV038GMGF&pd_rd_w=jABEu&pd_rd_wg=zg0K2&psc=1&refRID=4CQK27ABX6AHV038GMGF)>.  
 “Wazzala—Bamboo Eco Travel Mug”. Found online Aug. 14, 2018 at amazon.com. Page dated Apr. 3, 2016. Retrieved from <[http://www.amazon.com/Elegant-Reusable-Splash-Proff-Silicone-Included/dp/B01CKXX4VY/ref=sr\\_1\\_33?ie=UTF8&qid=1488839680&sr=8-33&keywords=travel+mug](http://www.amazon.com/Elegant-Reusable-Splash-Proff-Silicone-Included/dp/B01CKXX4VY/ref=sr_1_33?ie=UTF8&qid=1488839680&sr=8-33&keywords=travel+mug)>.  
 Aug. 21, 2019—(AU) Examination Report No. 1—App. No. 2017280047.

\* cited by examiner

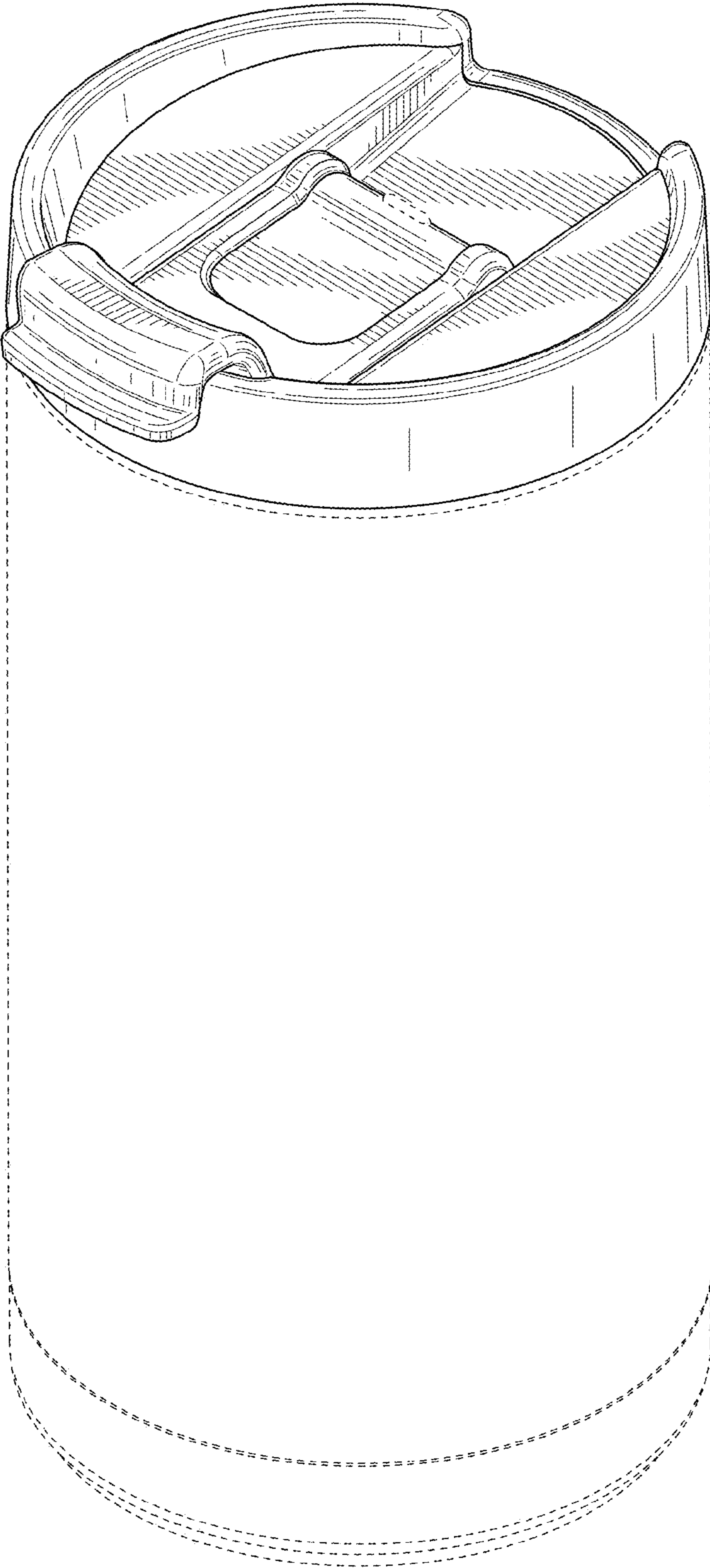


FIG. 1



**FIG. 2**



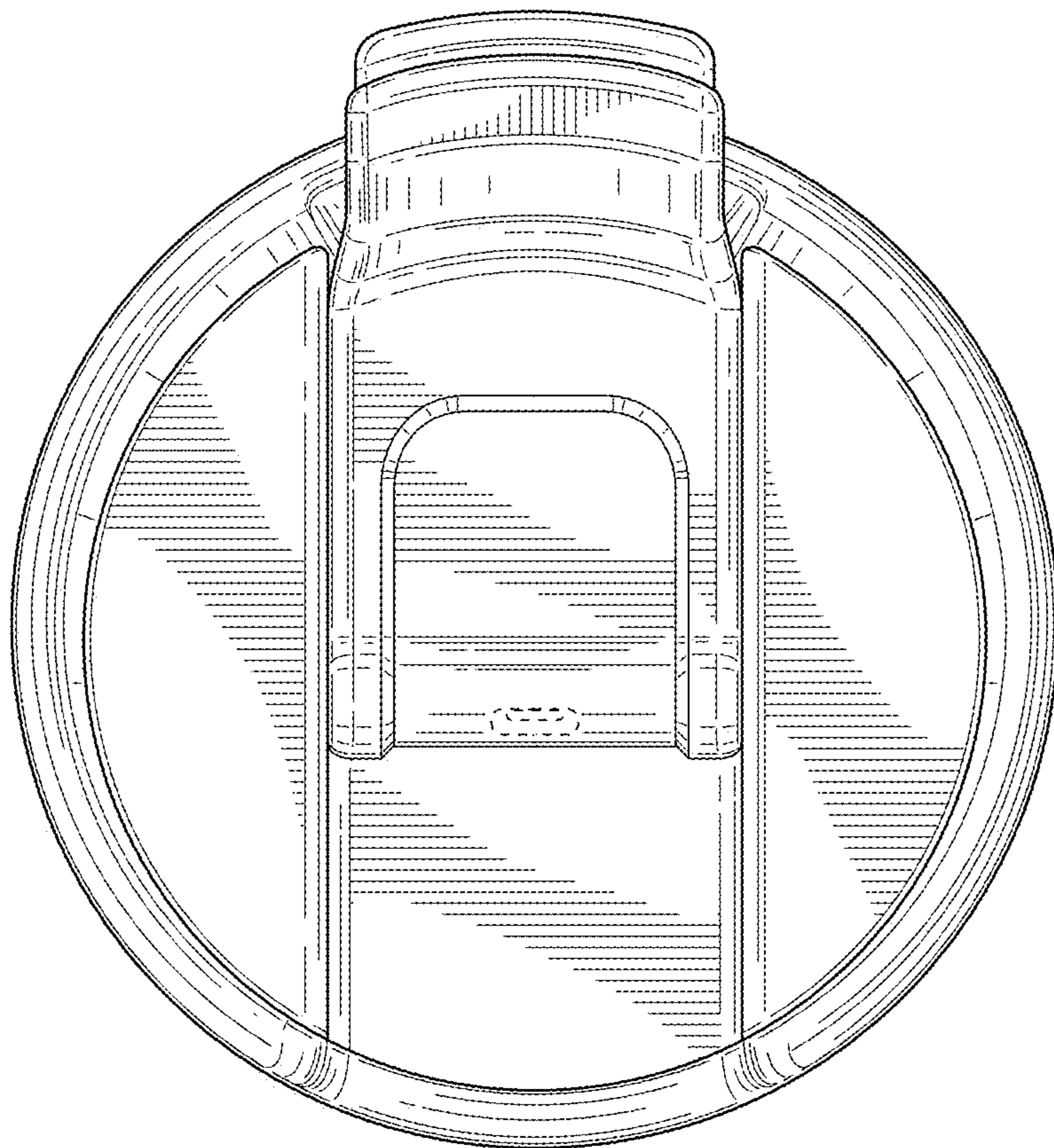
**FIG. 3**



**FIG. 4**

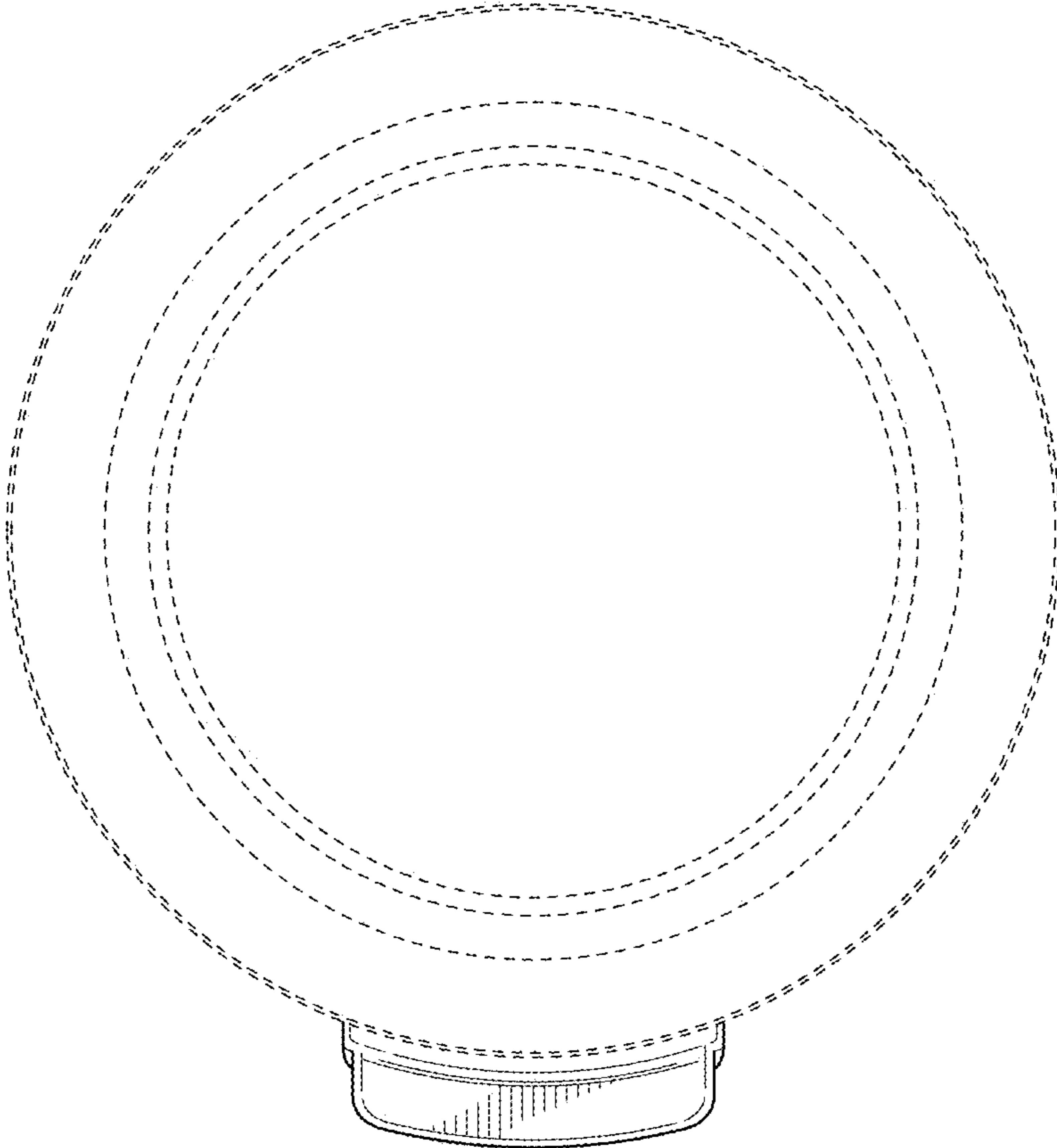


**FIG. 5**



**FIG. 6**





**FIG. 7**