



US00D902645S

(12) **United States Design Patent** (10) **Patent No.:** **US D902,645 S**
Zhang (45) **Date of Patent:** **** Nov. 24, 2020**

(54) **LID FOR STORAGE BIN**
(71) Applicant: **Chaozhou Chao'an District Jinshi Town Baoying Stainless Steel Products Factory, Chaozhou (CN)**
(72) Inventor: **Yipeng Zhang, Guangdong (CN)**
(**) Term: **15 Years**

D651,479 S * 1/2012 Nie D7/629
D660,095 S * 5/2012 Kyung D7/629
D800,494 S * 10/2017 Peng D7/391
D821,808 S * 7/2018 Diner D7/391
D828,083 S * 9/2018 Zhang D7/392.1
D851,986 S * 6/2019 Mouler D7/392.1
D862,155 S * 10/2019 Dai D7/391
D875,465 S * 2/2020 Dai D7/391
2004/0084464 A1* 5/2004 Koo B65D 43/0218
220/784

(21) Appl. No.: **29/741,027**
(22) Filed: **Jul. 9, 2020**
(51) **LOC (12) Cl.** **07-02**
(52) **U.S. Cl.**
USPC **D7/391**
(58) **Field of Classification Search**
USPC D7/391, 392, 392.1, 393, 397, 601-602,
D7/629-630, 538-542; D9/414,
D9/424-432, 435, 451-452
CPC A47J 36/027; A47J 36/06; A47J 37/10;
A47J 37/101; B65D 21/0209; B65D
43/00; B65D 43/02; B65D 43/0206;
B65D 43/0218; B65D 43/022; B65D
43/161; B65D 43/162; B65D 45/00;
B65D 45/16; B65D 45/18; B65D 45/20;
B65D 51/16; B65D 51/1683; B65D
51/1688; B65D 51/1694; B65D 2251/00;
B65F 1/1615
See application file for complete search history.

(56) **References Cited**
U.S. PATENT DOCUMENTS

D411,353 S 6/1999 Dickinson et al.
D481,910 S * 11/2003 Kim D7/629
D493,073 S * 7/2004 Kim D7/629
D516,376 S * 3/2006 Kim D7/392.1
D610,878 S * 3/2010 Kim D7/629

OTHER PUBLICATIONS

Fullstar Food Storage Containers with Lids; Date First Available on Amazon.com Sep. 17, 2019 <https://www.amazon.com/Food-Storage-Containers-Lids-Container/dp/B07VQ69WP5/> (Year: 2019).*

* cited by examiner

Primary Examiner — Ricky Pham
(74) *Attorney, Agent, or Firm* — ZANIP

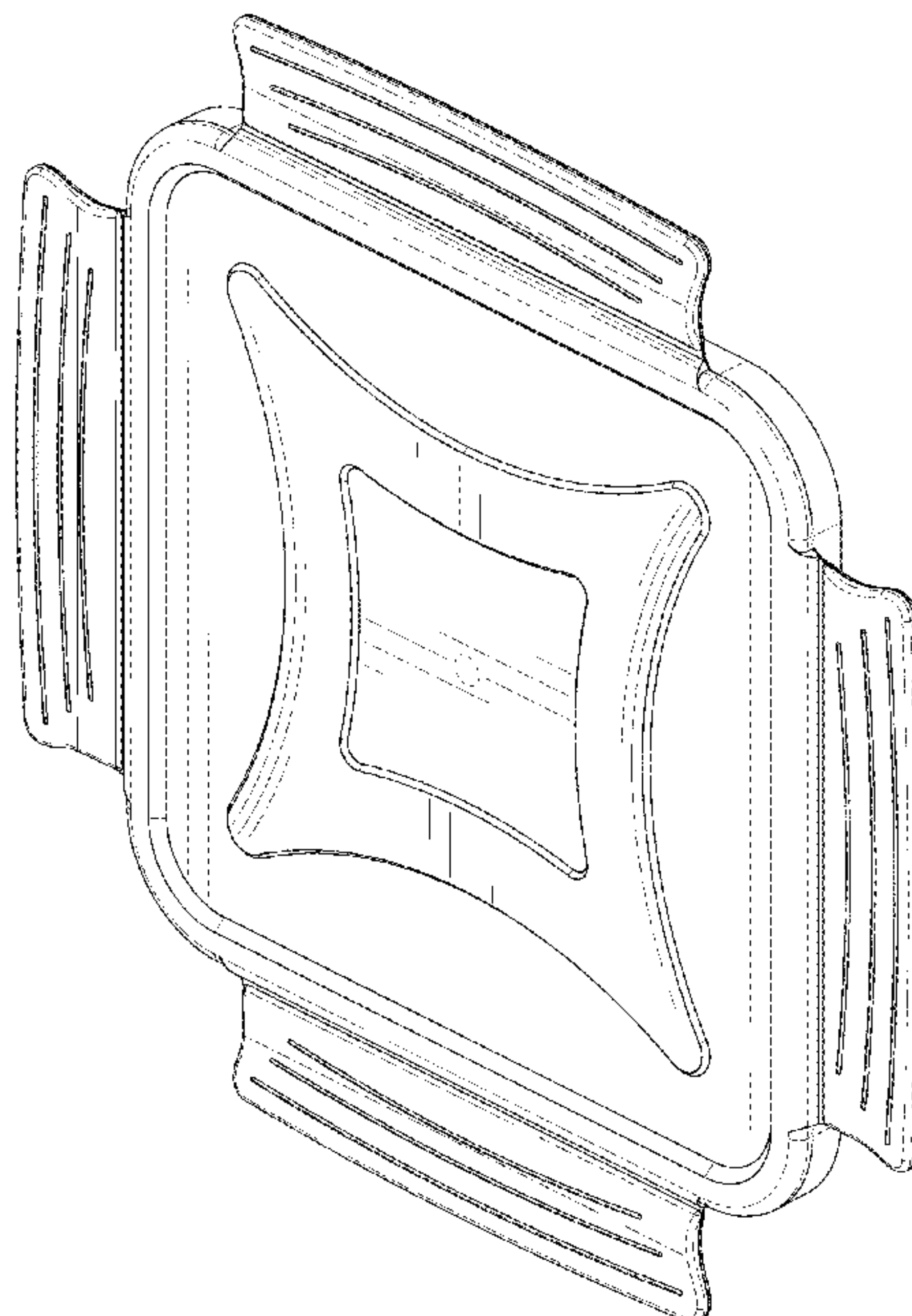
(57) **CLAIM**

The ornamental design for a lid for storage bin, as shown and described.

DESCRIPTION

FIG. 1 is a front perspective view of a lid for storage bin, showing my new design;
FIG. 2 is a rear perspective view thereof;
FIG. 3 is a front elevational view thereof;
FIG. 4 is a rear elevational view thereof;
FIG. 5 is a left side elevational view thereof;
FIG. 6 is a right side elevational view thereof;
FIG. 7 is a top plan view thereof; and,
FIG. 8 is a bottom plan view thereof.
The broken lines in the figures illustrate portions of the article that form no part of the claimed design.

1 Claim, 8 Drawing Sheets



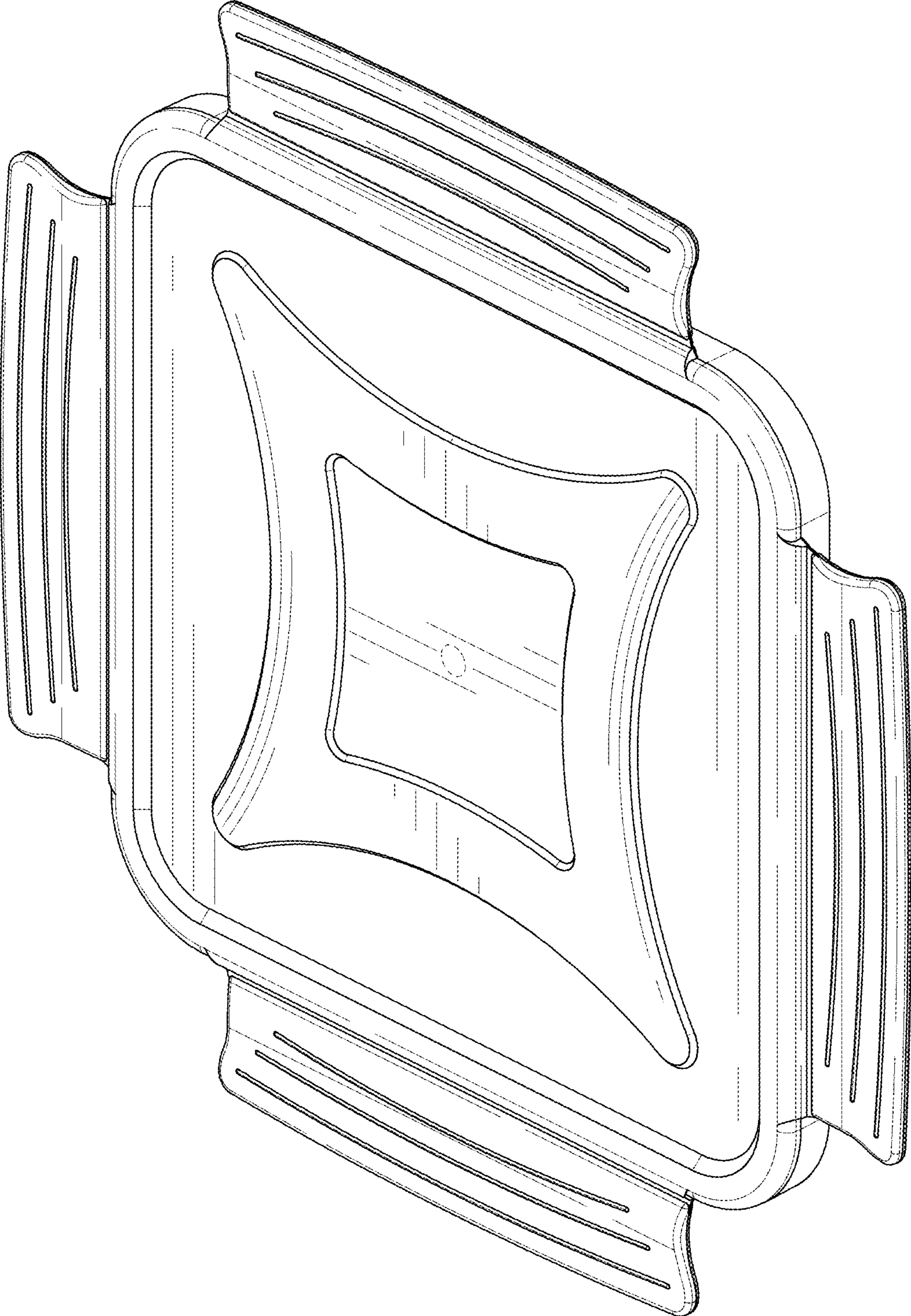


FIG. 1

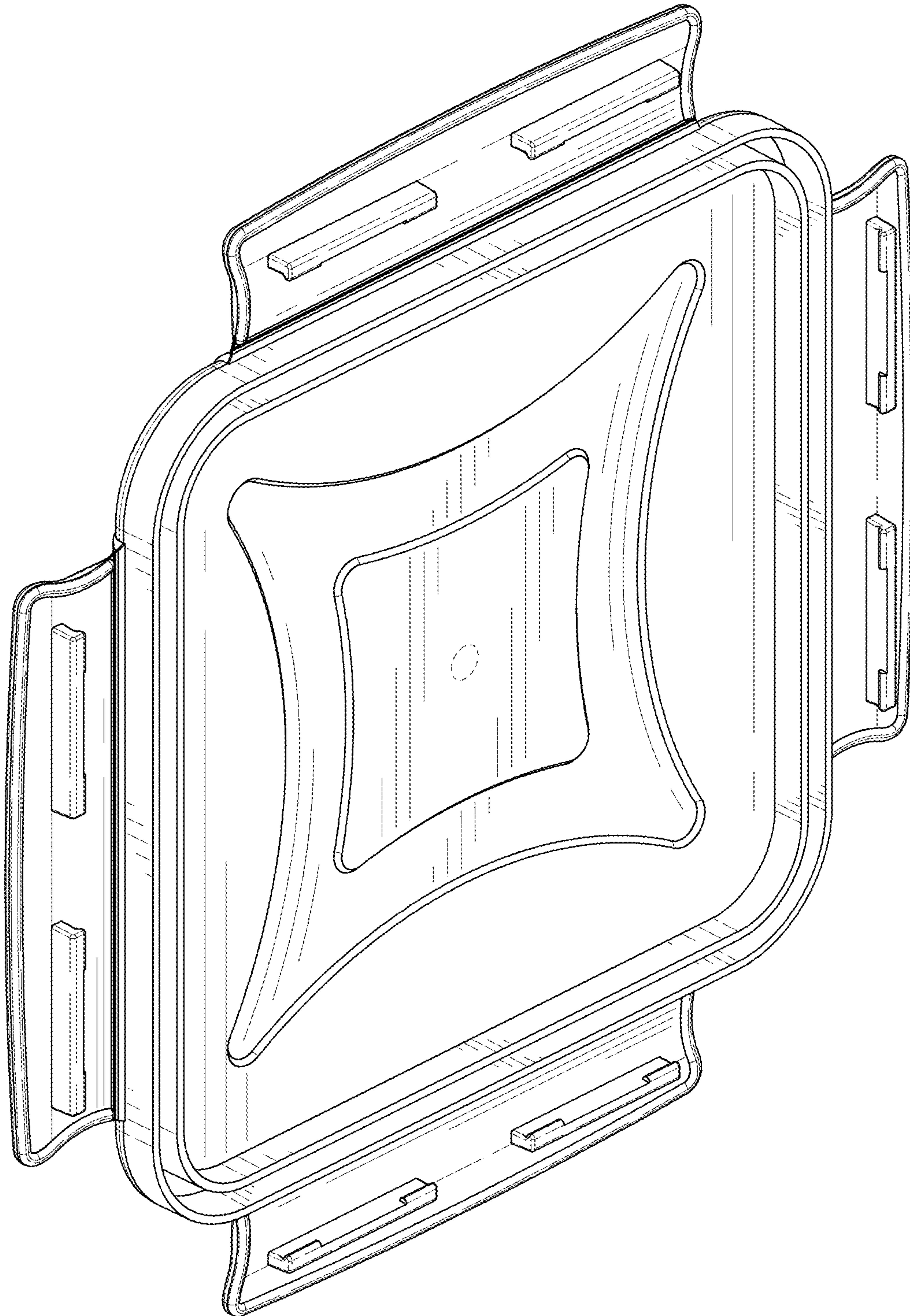


FIG. 2

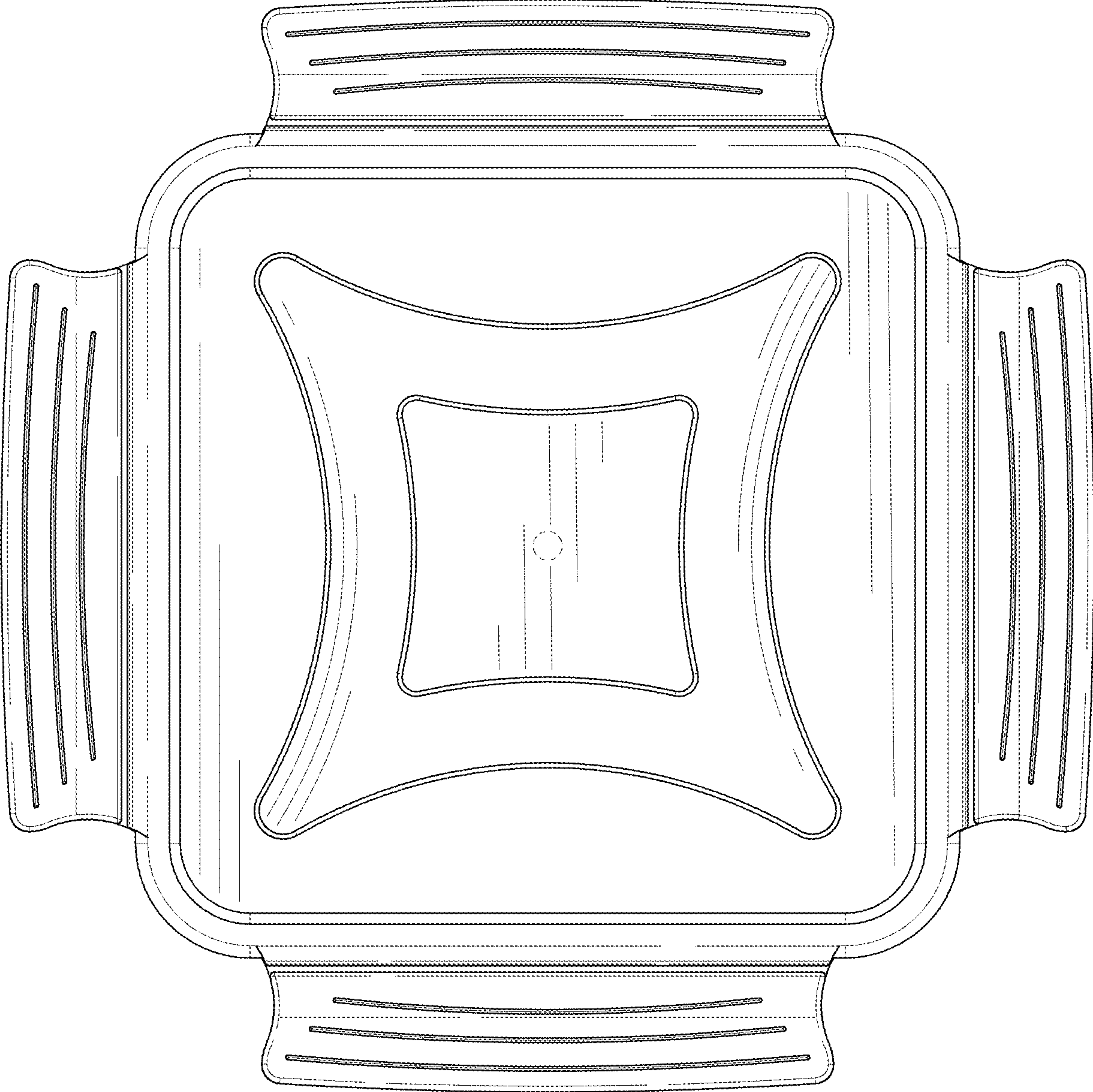


FIG. 3

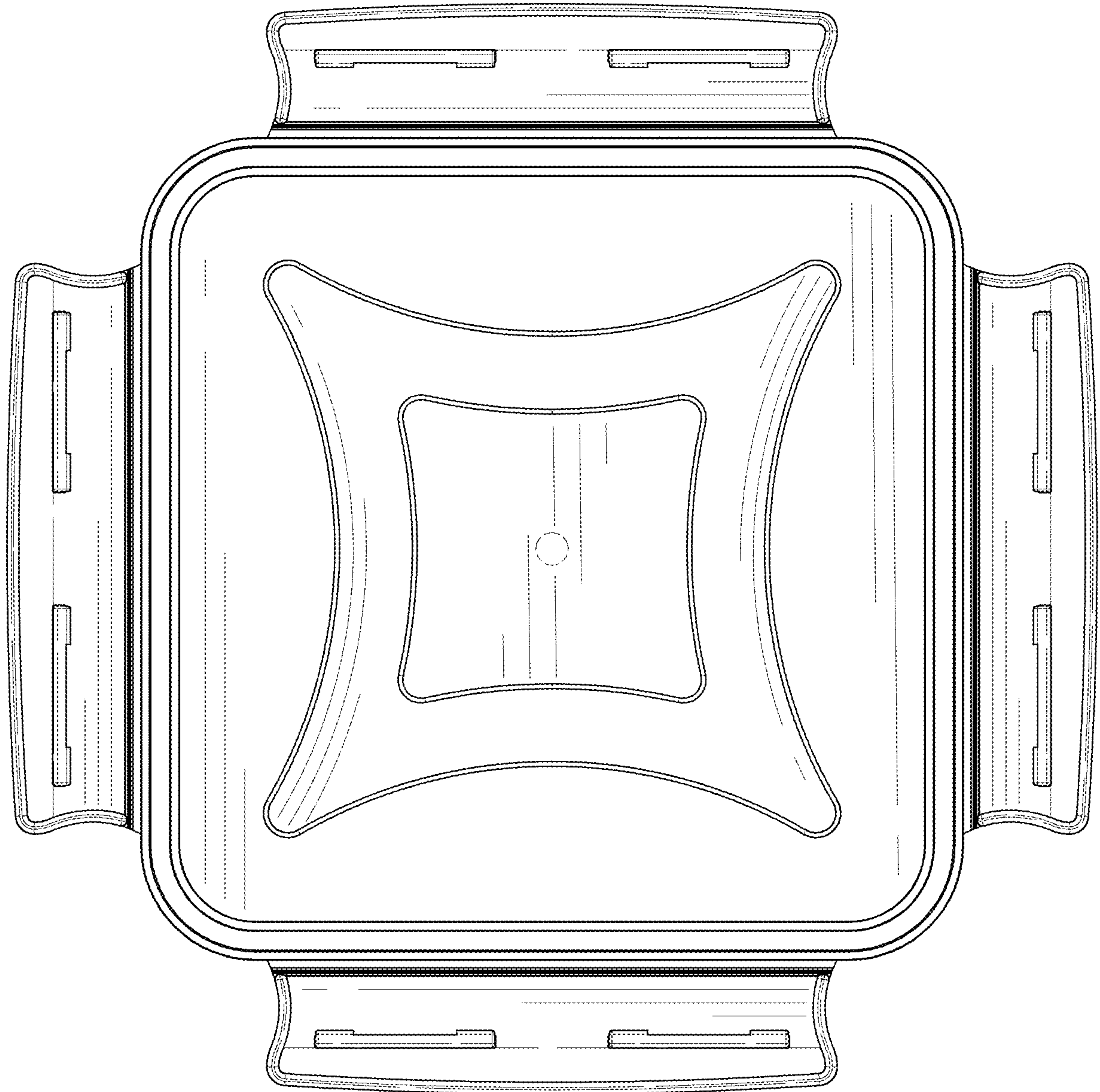


FIG. 4



FIG. 5

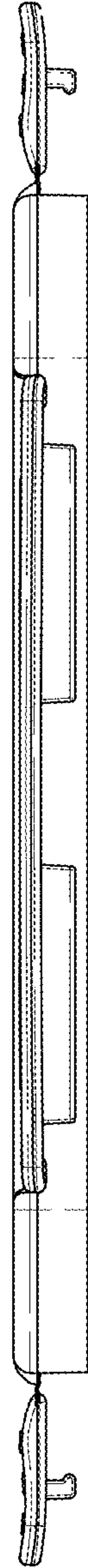


FIG. 6



FIG. 7



FIG. 8