

US00D902642S

(12) **United States Design Patent**  
**Carlson**

(10) **Patent No.:** **US D902,642 S**

(45) **Date of Patent:** **\*\* Nov. 24, 2020**

(54) **COMMERCIAL BAR BLENDER**

(71) Applicant: **Hamilton Beach Brands, Inc.**, Glen Allen, VA (US)

(72) Inventor: **Drew Carlson**, Midlothian, VA (US)

(73) Assignee: **Hamilton Beach Brands, Inc.**, Glen Allen, VA (US)

(\*\*) Term: **15 Years**

(21) Appl. No.: **29/652,040**

(22) Filed: **Apr. 21, 2020**

(51) **LOC (12) Cl.** ..... **31-00**

(52) **U.S. Cl.**

USPC ..... **D7/386; D7/376; D7/378**

(58) **Field of Classification Search**

USPC ..... D7/372, 376–386, 412–413, 602, 629, D7/665–666, 669, 679, 693–694

CPC .... A21C 1/02; A21C 1/04; A23N 1/00; A23N 1/02; A47J 43/04; A47J 43/25; A47J 43/27; A47J 43/042; A47J 43/044; A47J 43/046; A47J 43/075; A47J 43/0711; A47J 43/0722; A47J 43/0727; A47J 43/082; B01F 3/00; B01F 3/0807; B01F 3/0853; B01F 13/0059; B01F 13/0064; B02C 1/08; B02C 2/04; B02C 4/42; B02C 4/142; B02C 4/143; B02C 4/423; B02C 13/1835; B28C 5/10; B28C 5/12; B28C 5/14; B28C 5/16

See application file for complete search history.

(56) **References Cited**

**U.S. PATENT DOCUMENTS**

D642,858 S \* 8/2011 Lazzar ..... D7/378  
D711,682 S \* 8/2014 Norland ..... D7/384

D747,135 S \* 1/2016 Ha ..... D7/378  
D755,004 S \* 5/2016 Bock ..... D7/386  
D759,424 S \* 6/2016 Ou ..... D7/378  
D769,061 S \* 10/2016 Diderotto ..... D7/378  
D786,613 S \* 5/2017 McConnell ..... D7/378  
D798,101 S \* 9/2017 Rose ..... D7/378  
D798,653 S \* 10/2017 Fan ..... D7/386  
D815,887 S \* 4/2018 Huang ..... D7/378  
D844,373 S \* 4/2019 DeLeo ..... D7/386  
D844,374 S \* 4/2019 McConnell ..... D7/386  
D845,696 S \* 4/2019 Ou ..... D7/378

\* cited by examiner

*Primary Examiner* — Ricky Pham

(74) *Attorney, Agent, or Firm* — Alexander D. Rarin

(57) **CLAIM**

The ornamental design for a commercial bar blender, as shown and described.

**DESCRIPTION**

FIG. 1 is a perspective view as seen from the top, front and right side of a commercial bar blender showing the new design;

FIG. 2 is a front view thereof;

FIG. 3 is a rear view thereof;

FIG. 4 is a left side view thereof;

FIG. 5 is a right side view thereof;

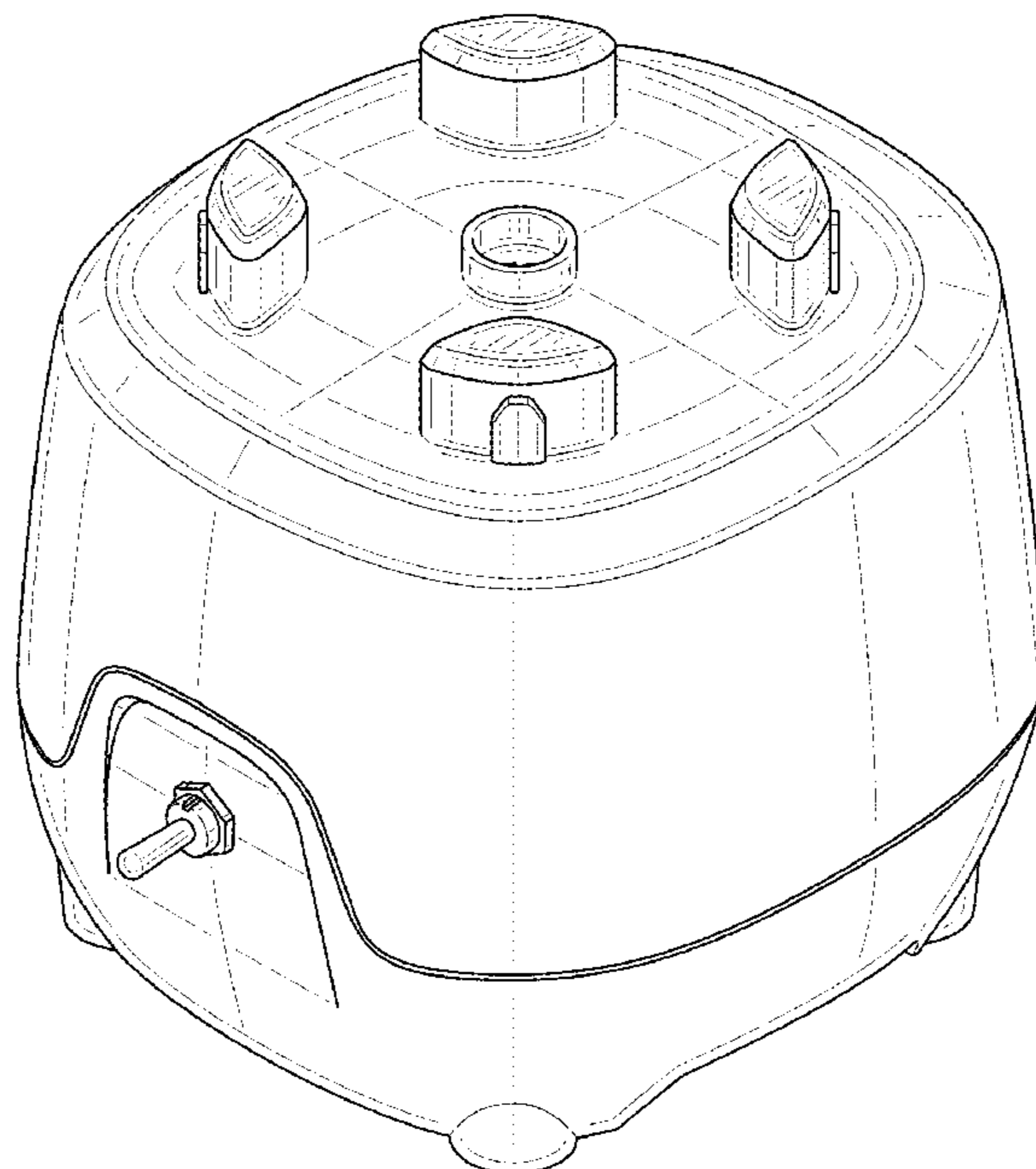
FIG. 6 is a top view thereof;

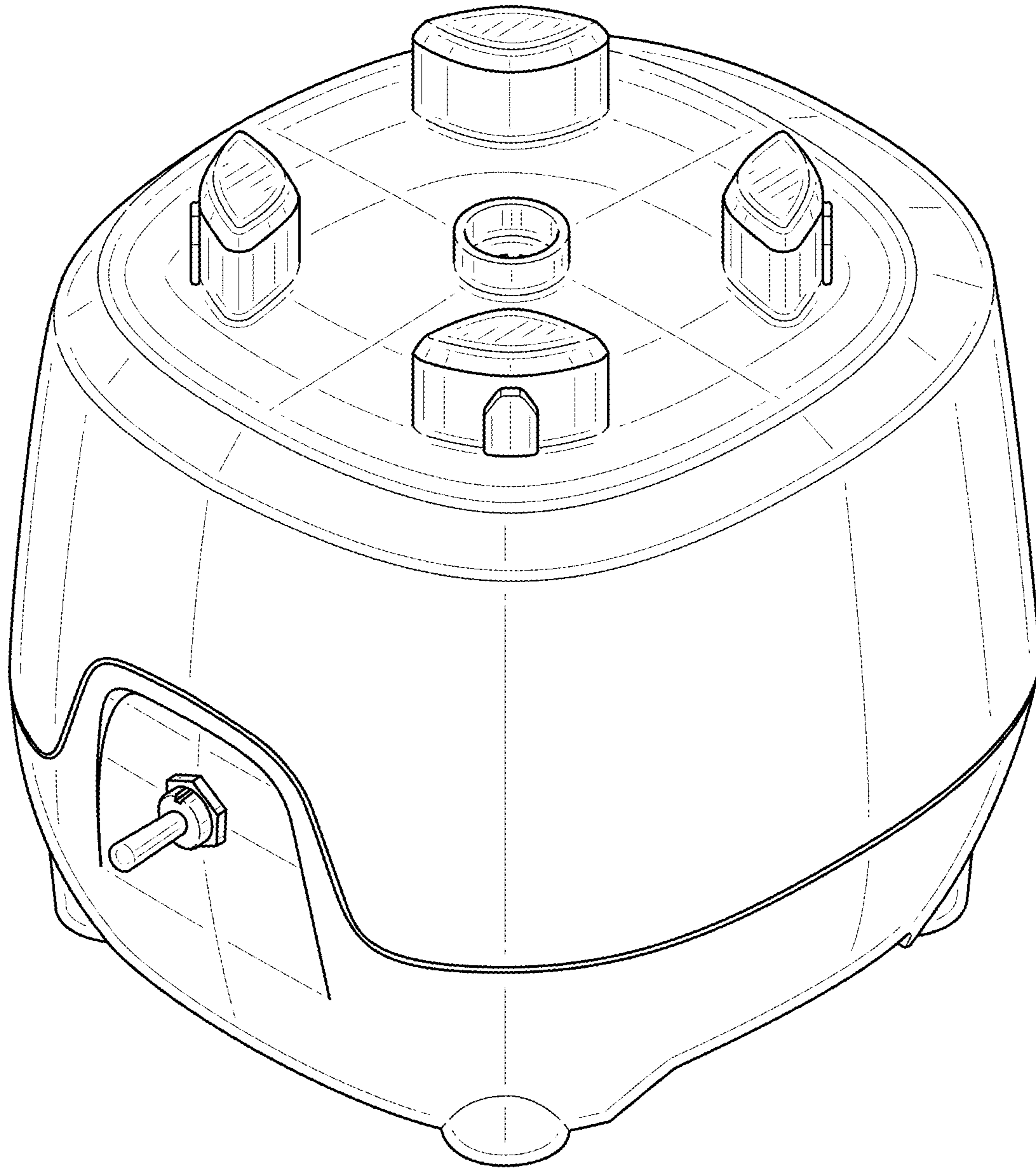
FIG. 7 is a bottom view thereof; and,

FIG. 8 an additional perspective view thereof.

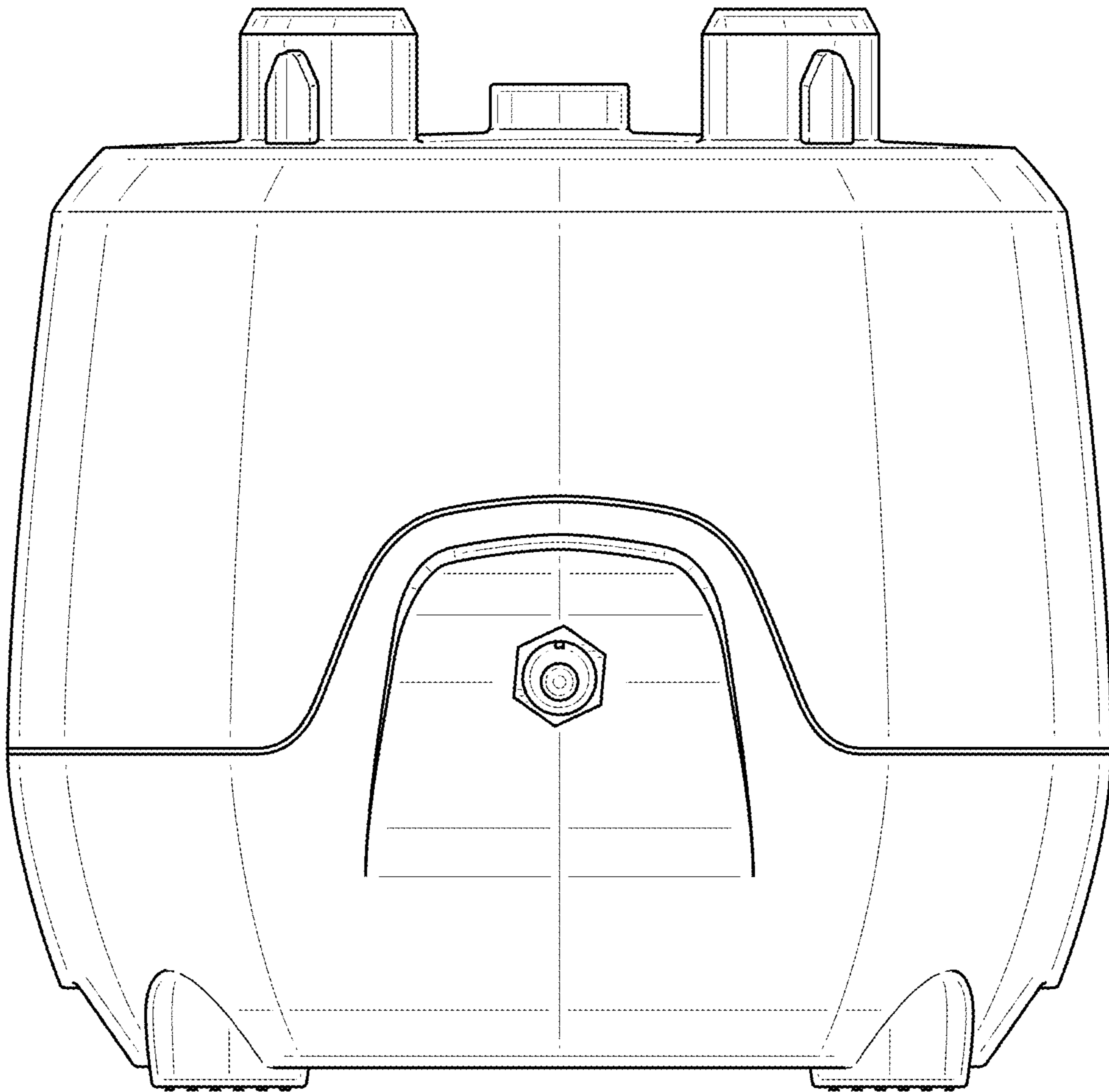
The broken lines in the drawings are included for illustrative purposes only and form no part of the claimed design.

**1 Claim, 8 Drawing Sheets**

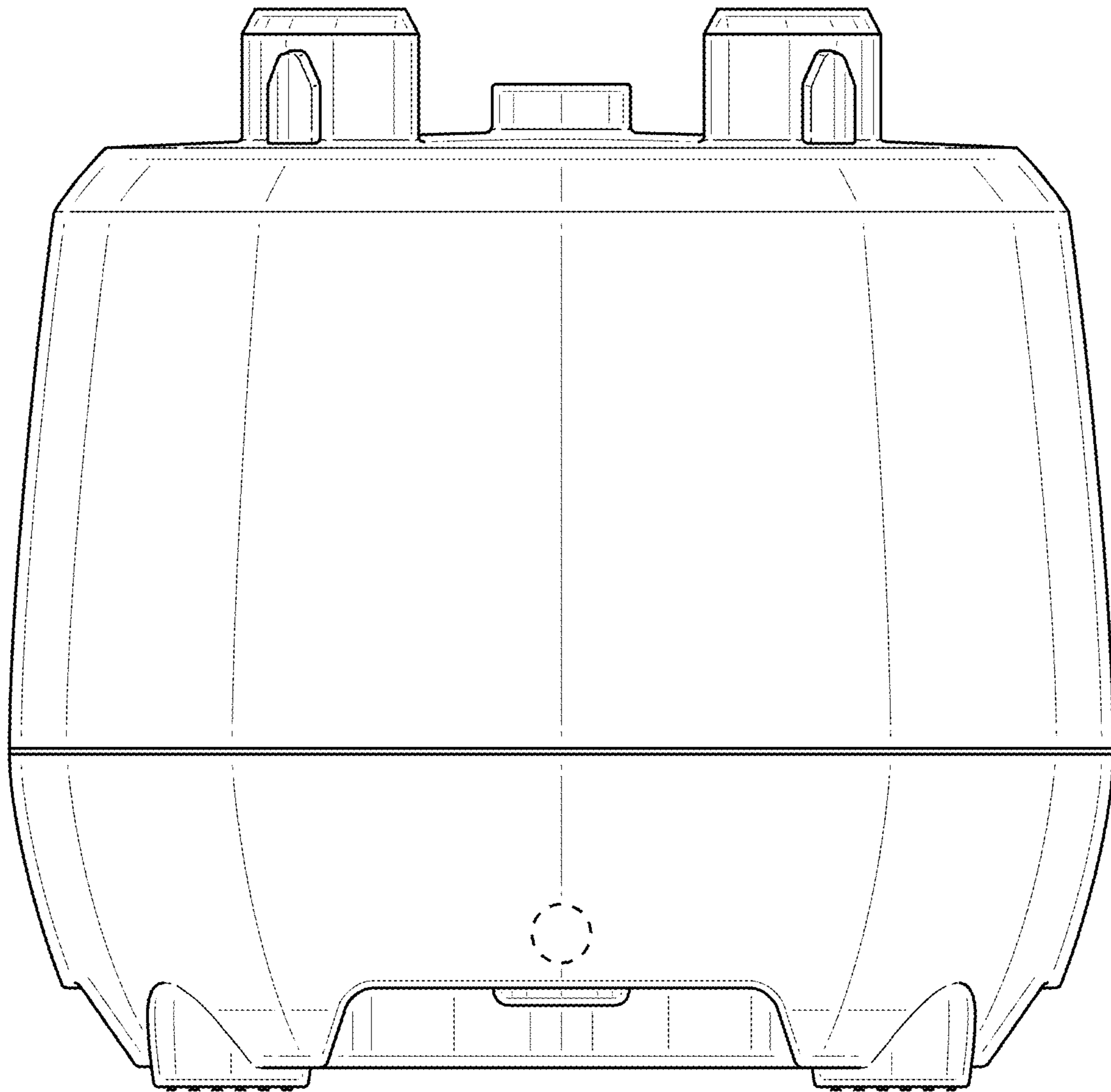




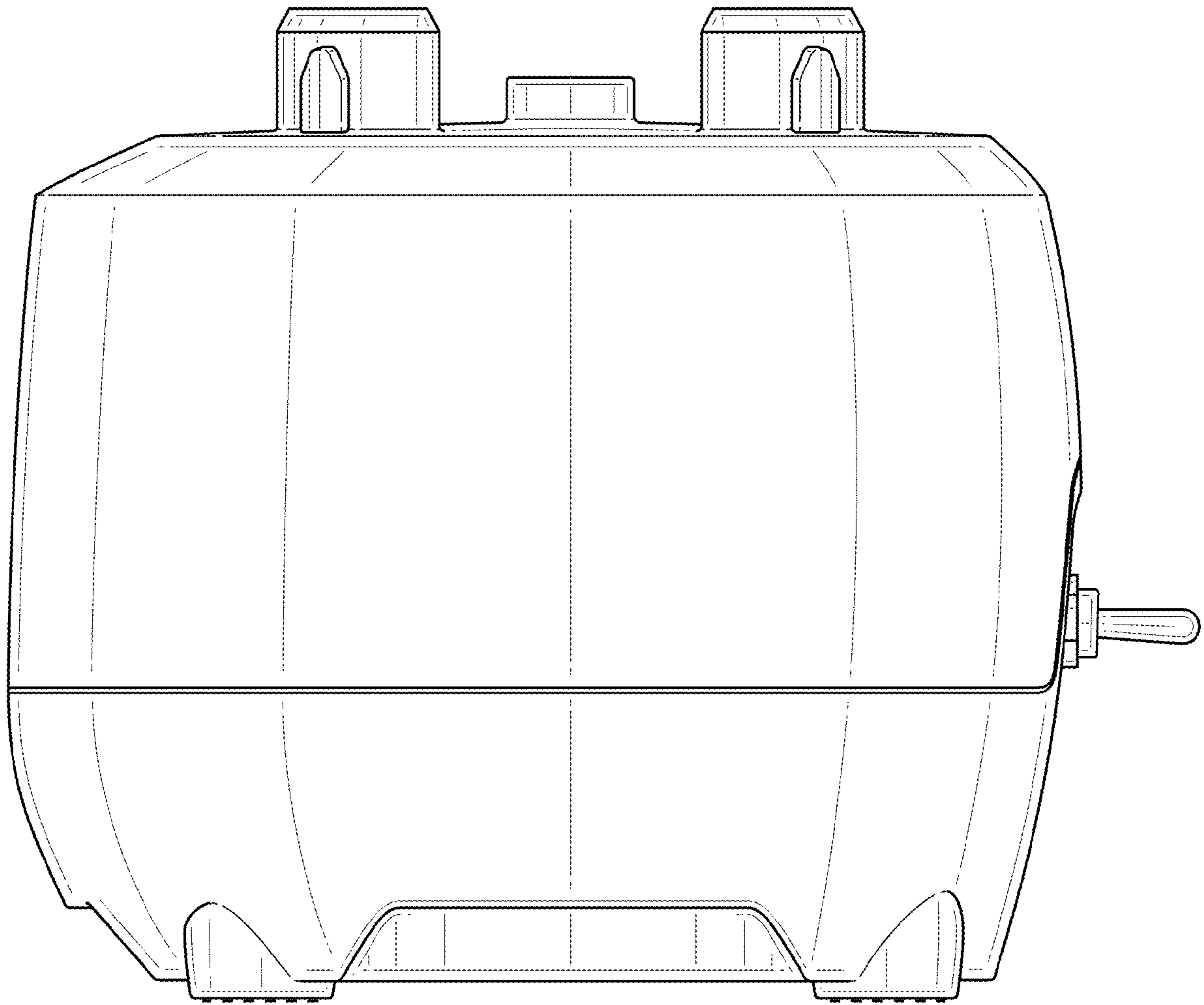
**FIG. 1**



**FIG. 2**

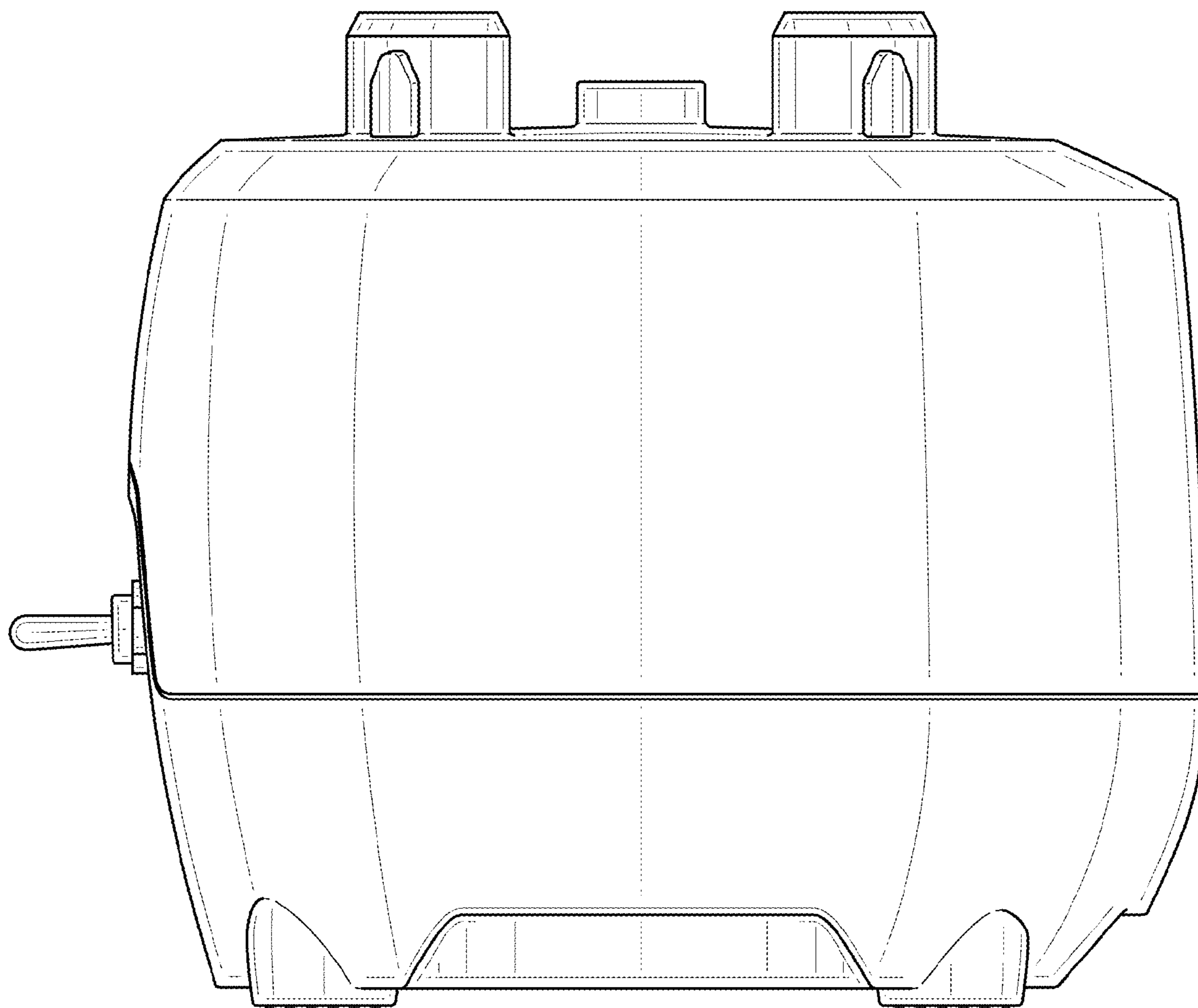


**FIG. 3**

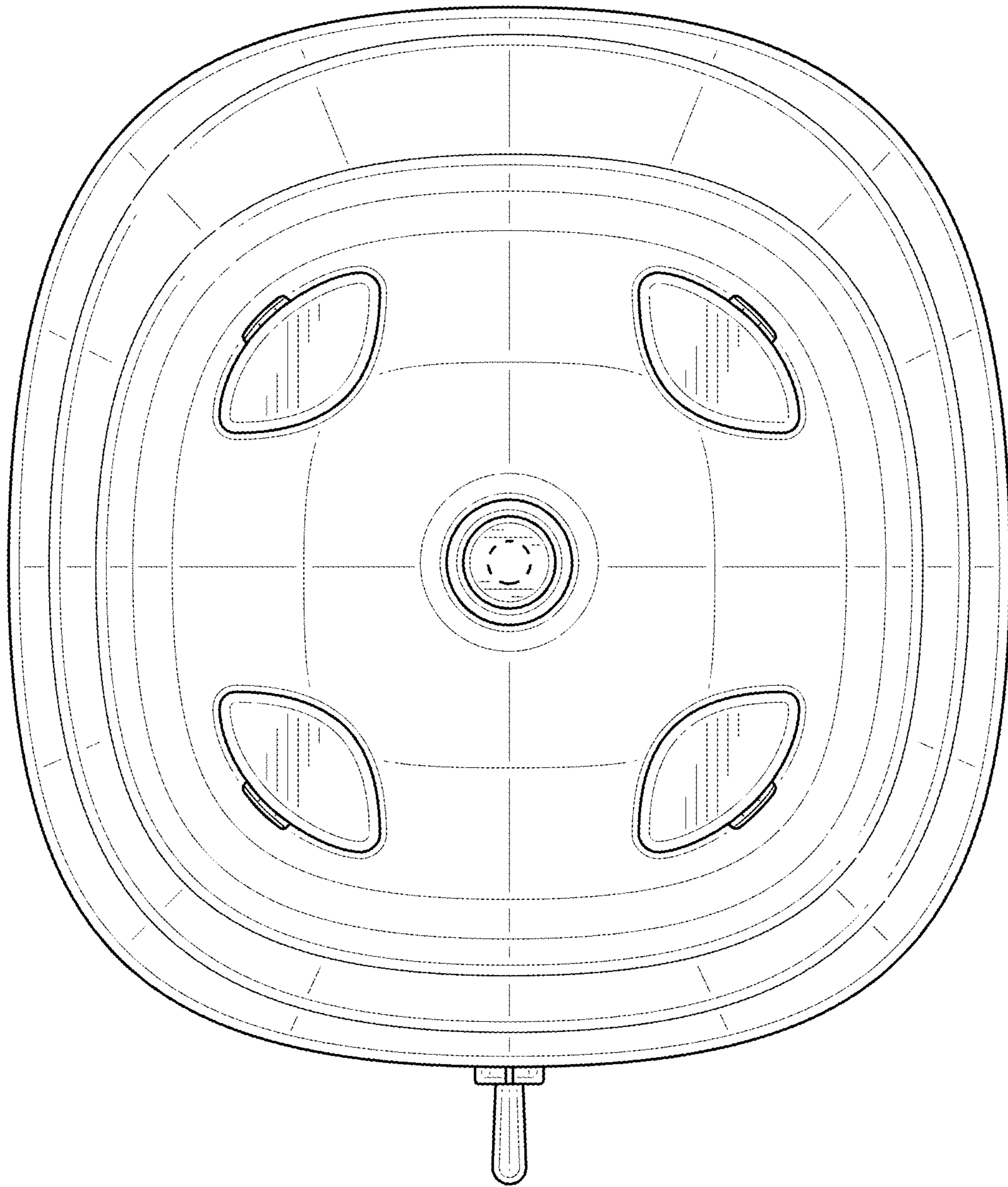


**FIG. 4**

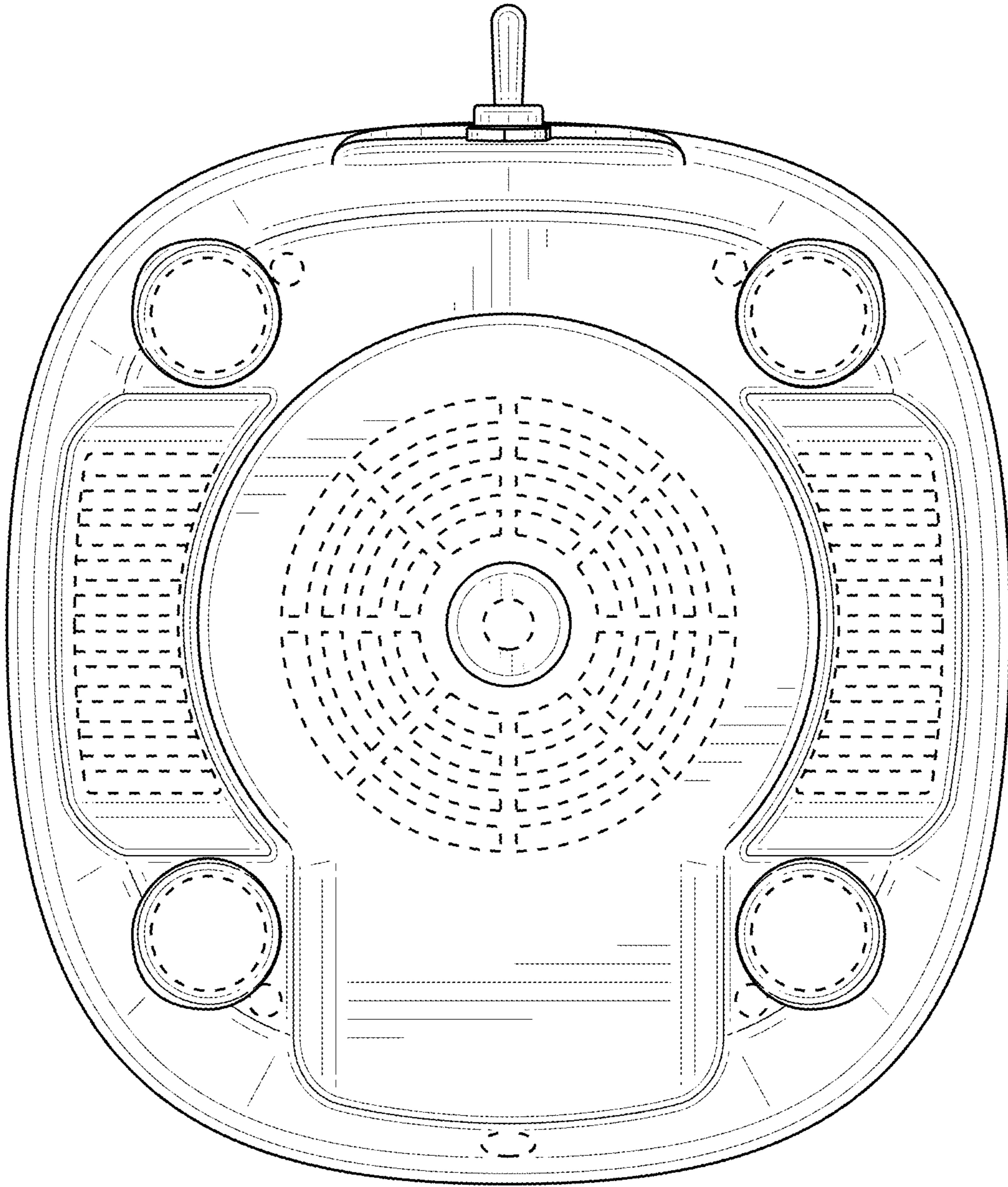




**FIG. 5**

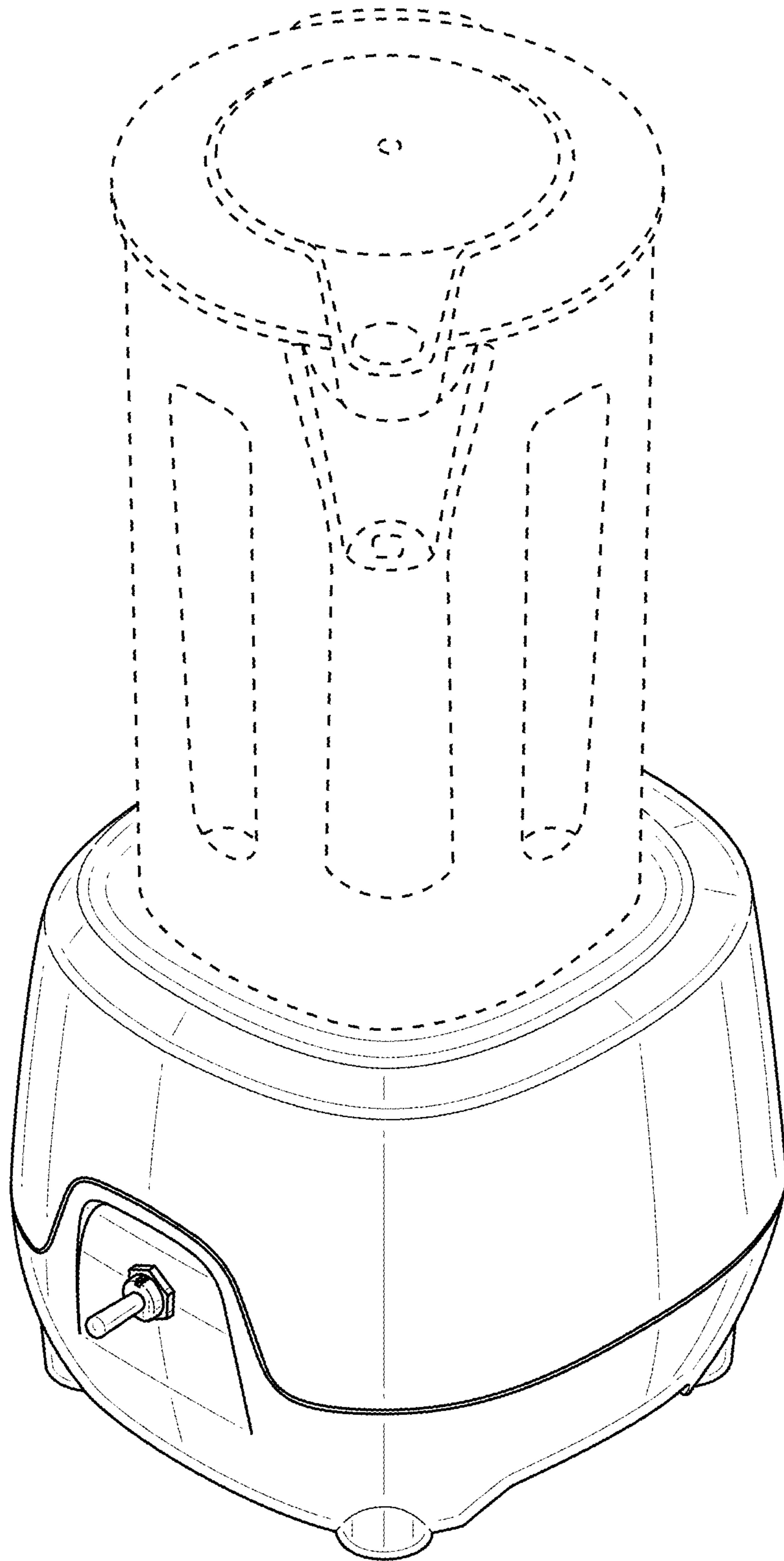


**FIG. 6**



**FIG. 7**





**FIG. 8**