



US00D902641S

(12) **United States Design Patent** (10) **Patent No.:** **US D902,641 S**
Li (45) **Date of Patent:** **** Nov. 24, 2020**

- (54) **MINCING KNIFE**
- (71) Applicant: **Shenzhen Tailishi Industrial Co., Ltd**,
Guangdong (CN)
- (72) Inventor: **Xianwei Li**, Guangdong (CN)
- (73) Assignee: **Shenzhen Tailishi Industrial Co., Ltd**,
Guangdong (CN)
- (**) Term: **15 Years**
- (21) Appl. No.: **29/740,190**
- (22) Filed: **Jul. 1, 2020**
- (51) **LOC (12) Cl.** **31-00**
- (52) **U.S. Cl.**
USPC **D7/381**; D7/649
- (58) **Field of Classification Search**
USPC D7/393-395, 401.2, 642-652, 682-684,
D7/693, 695-696; D8/93, 97-100, 107,
D8/300, 321; D10/119.1; D22/117-118
CPC A01B 1/20; A01B 1/22; A22C 25/006;
A47G 21/06; A47G 21/065; A47G 21/10;
A61B 17/3211; A61B 17/3213; B21D
53/64; B25G 3/36; B26B 1/00; B26B
1/08; B26B 1/10; B26B 3/00; B26B 3/02;
B26B 3/03; B26B 3/04; B26B 3/06;
B26B 5/00; B26B 5/001; B26B 5/007;
B26B 7/00; B26B 7/005; B26B 9/00;
B26B 9/02; B26B 11/00; B26B 11/006;
B26B 17/00; B26B 17/006; B26B 29/02
See application file for complete search history.

(56) **References Cited**
U.S. PATENT DOCUMENTS

- D25,841 S * 7/1896 Bonte D7/682
- 4,096,629 A * 6/1978 Levine B26B 1/00
30/152

- D333,413 S * 2/1993 Kistner D7/683
- D500,546 S * 1/2005 Anderson D22/117
- D528,893 S * 9/2006 Budd D22/118
- D663,171 S * 7/2012 Borovicka D7/683
- D685,617 S * 7/2013 Zemel D7/683
- D712,708 S * 9/2014 High D7/683
- D768,803 S 10/2016 Benton et al.
- D772,090 S * 11/2016 Kruska D10/119.1
- D781,114 S * 3/2017 DeAsis D7/684
- D788,548 S * 6/2017 Cianflone D7/683
- D802,079 S 11/2017 Lees
- 9,987,758 B2 * 6/2018 Levine B26B 1/08
- D868,200 S 11/2019 Mojica
- 2009/0322108 A1 * 12/2009 Bina A47G 21/10
294/99.2

OTHER PUBLICATIONS

JEANTRIX Meat Claws, Meat Shredder Claws; Amazon.com <https://www.amazon.com/JEANTRIX-Shredder-Stainless-Resistant-Handle/dp/B07WCG6YX5/> (Year: 2019).*

* cited by examiner

Primary Examiner — Ricky Pham
(74) *Attorney, Agent, or Firm* — ScienBiziP, P.C.

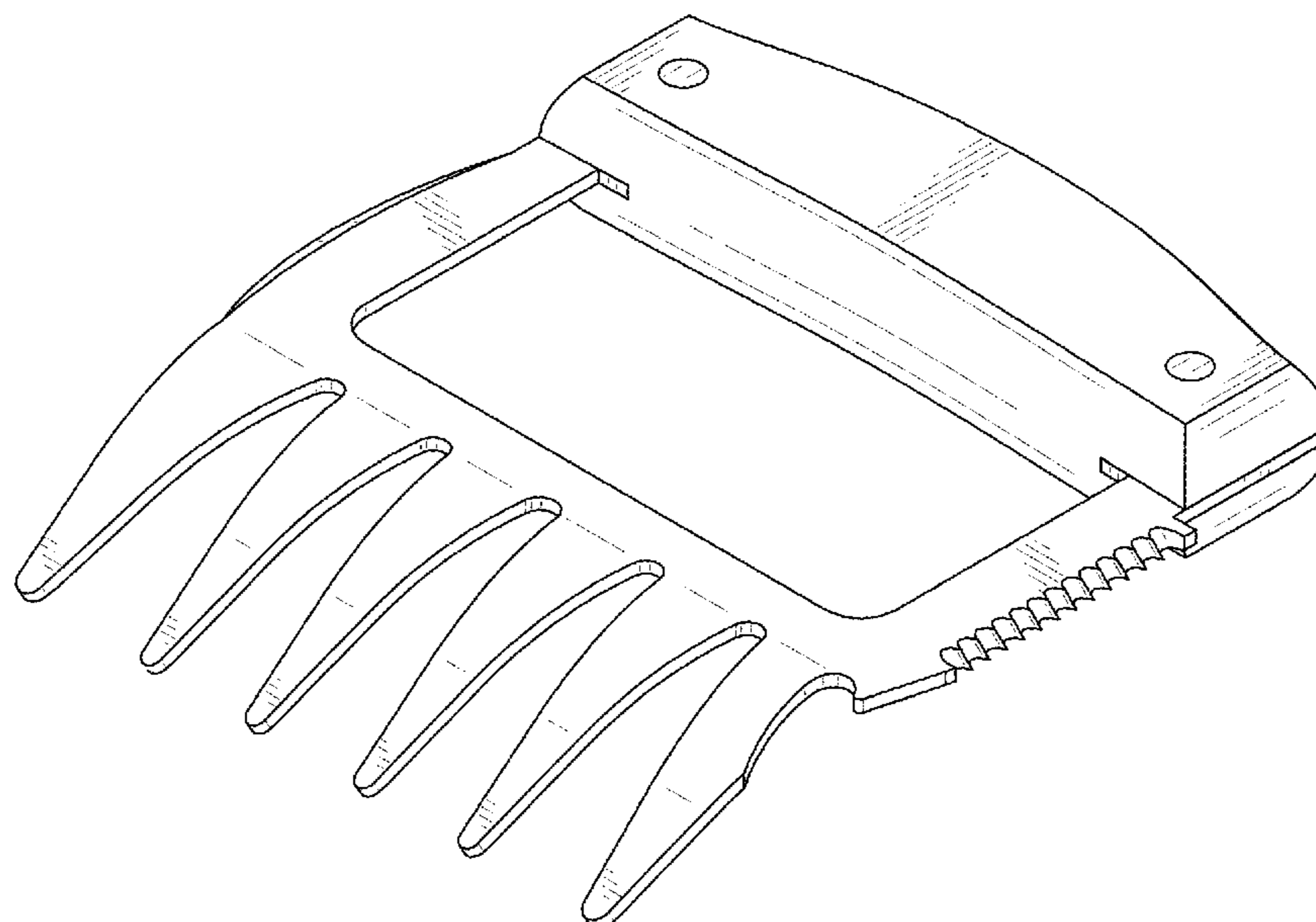
(57) **CLAIM**

The ornamental design for a mincing knife, as shown and described.

DESCRIPTION

FIG. 1 is a front, right and top perspective view of a mincing knife, showing my design;
FIG. 2 is a front elevation view thereof;
FIG. 3 is a rear elevation view thereof;
FIG. 4 is a left side elevation view thereof;
FIG. 5 is a right side elevation view thereof;
FIG. 6 is a top plan view thereof; and,
FIG. 7 is a bottom plan view thereof.

1 Claim, 7 Drawing Sheets



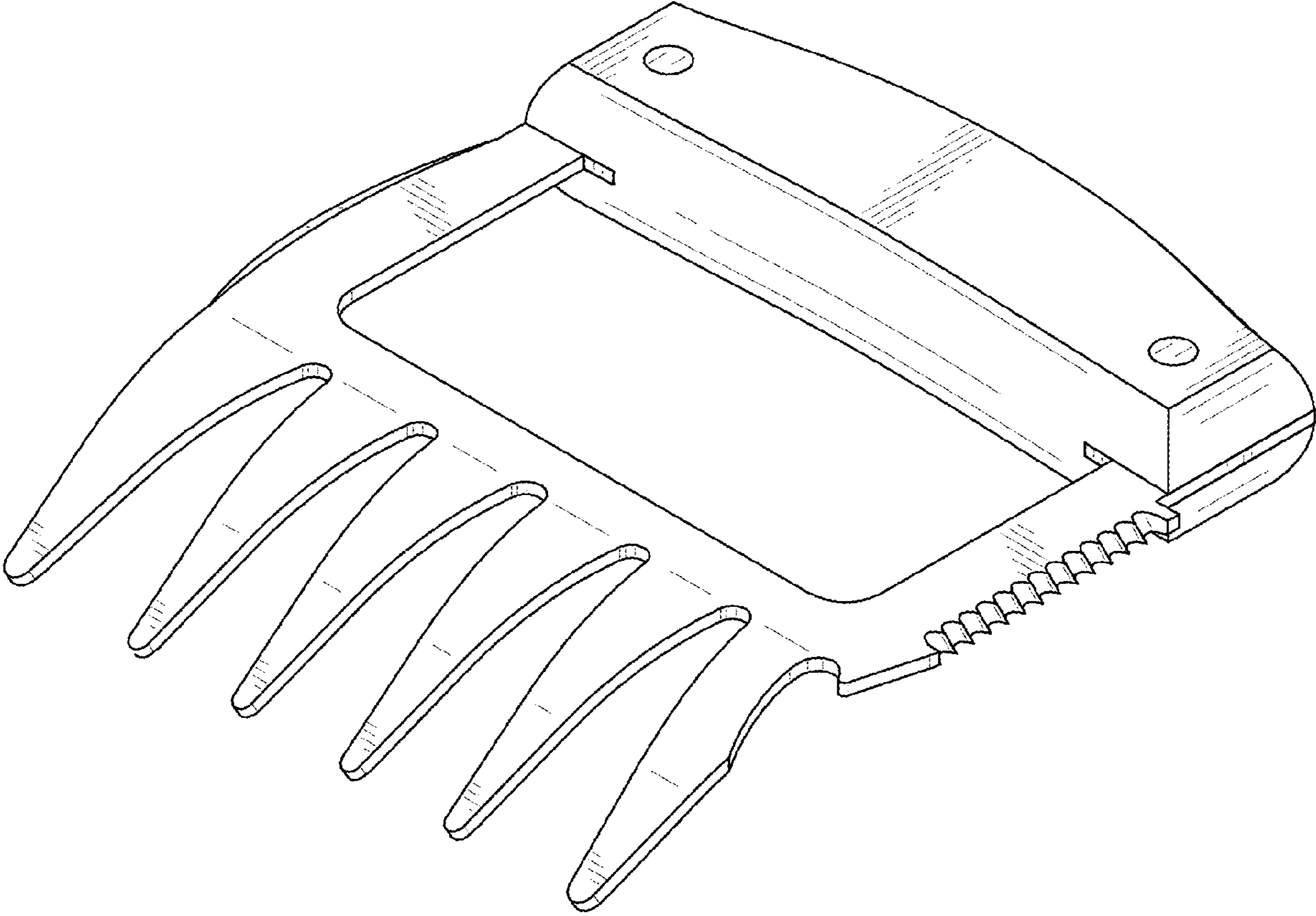


FIG.1

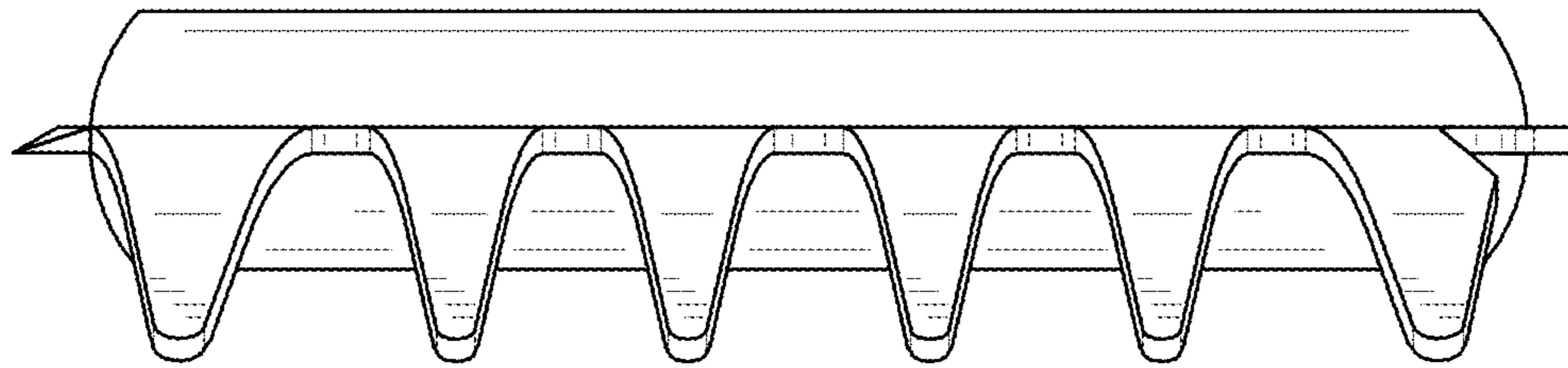


FIG.2

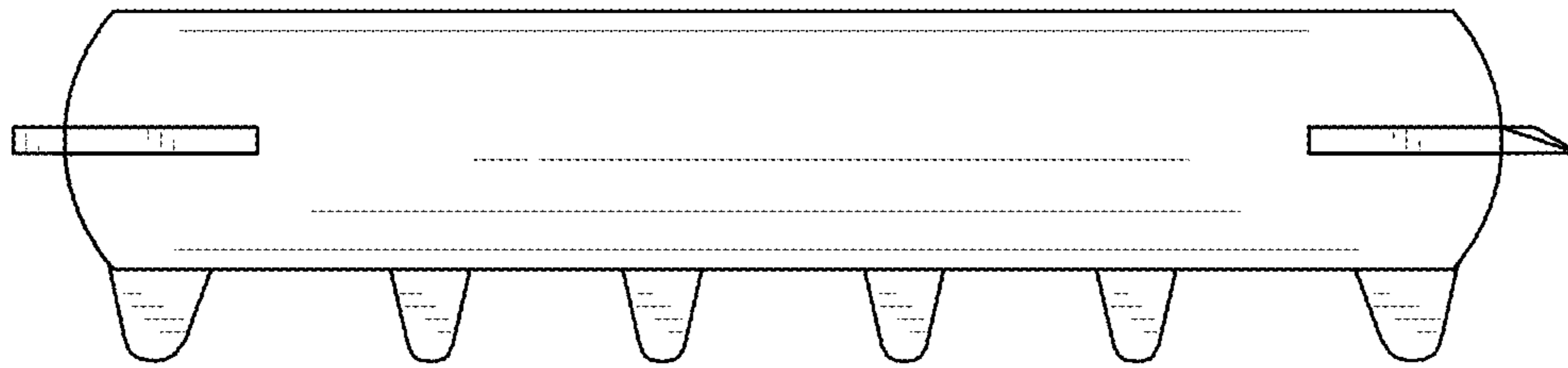


FIG.3

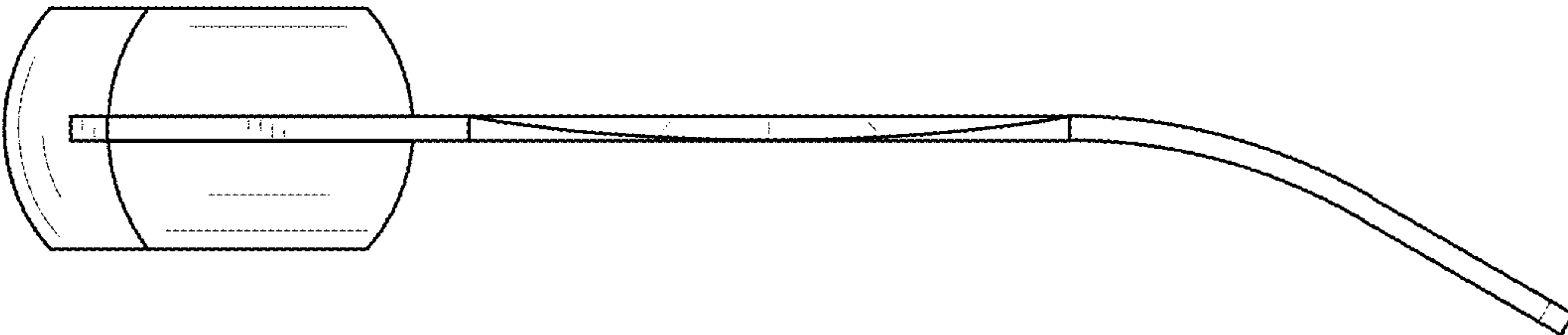


FIG.4

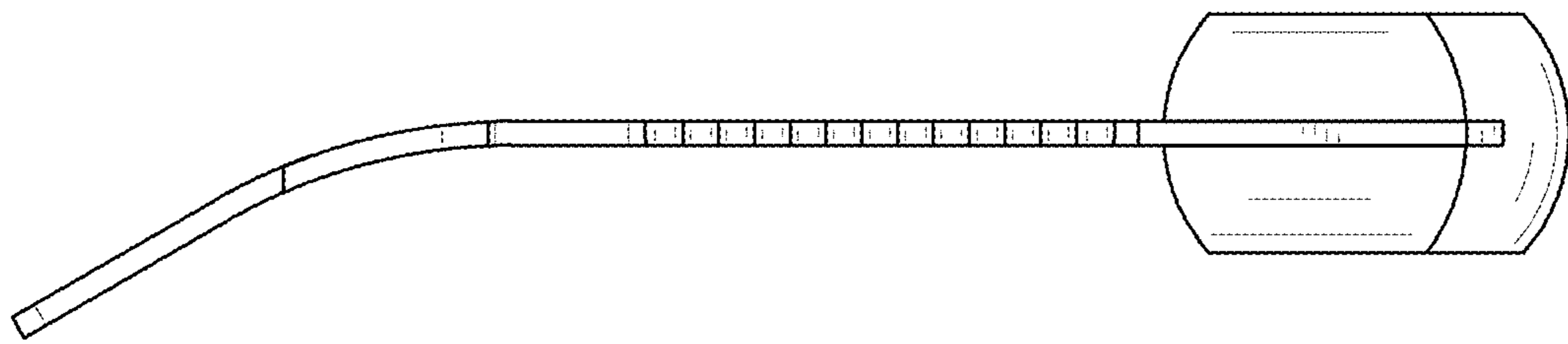


FIG. 5

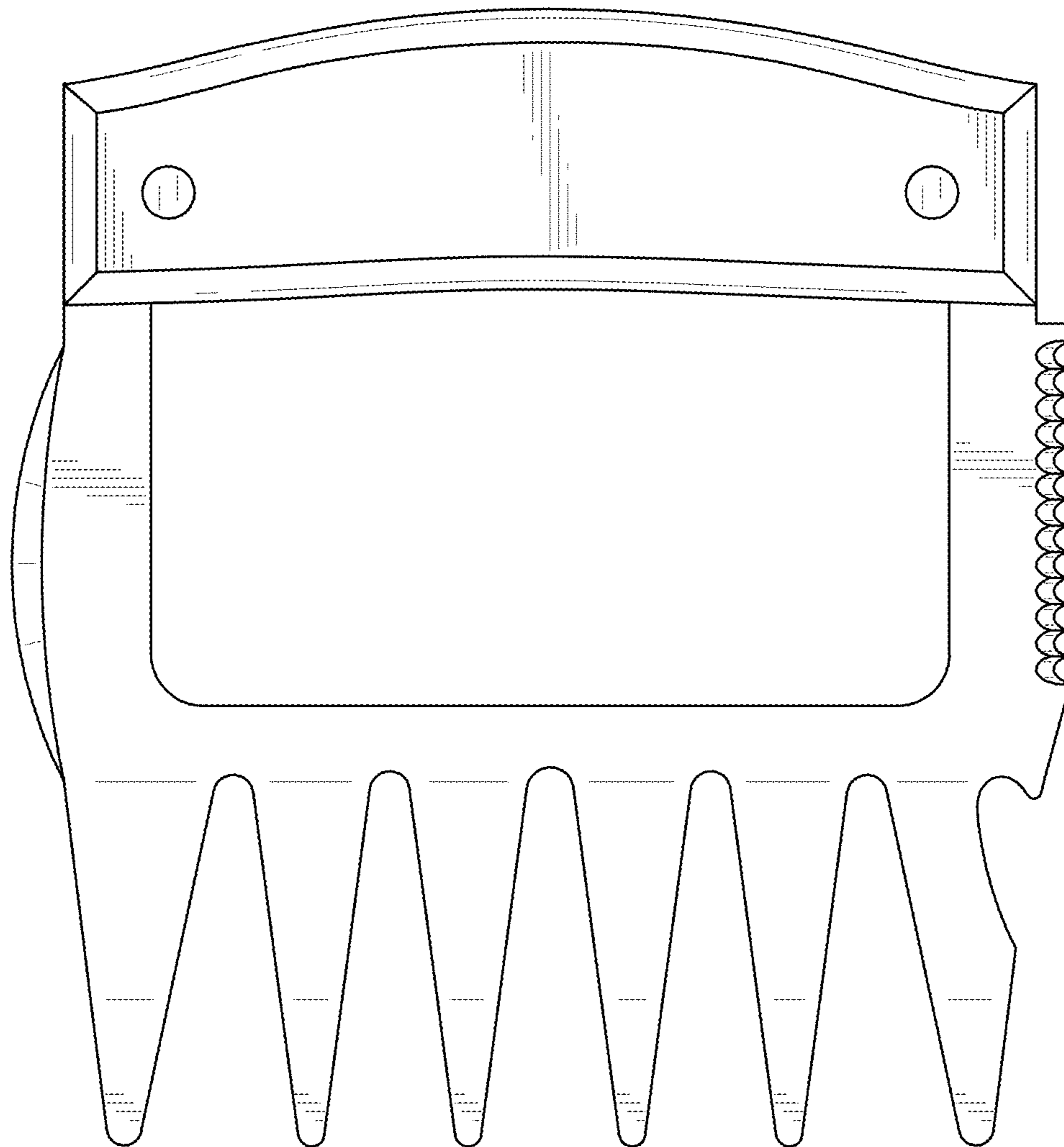


FIG.6

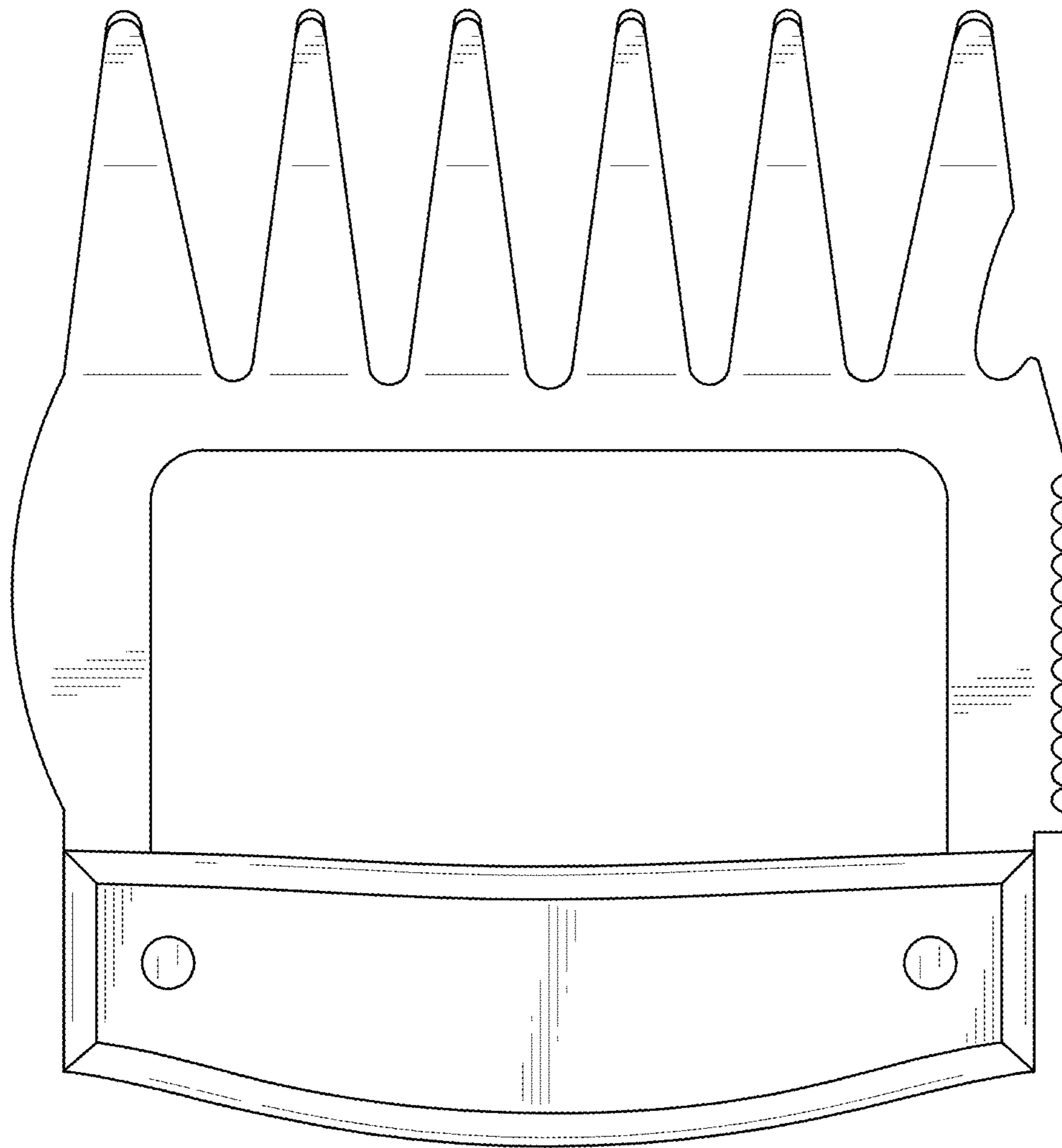


FIG.7