



US00D902639S

(12) **United States Design Patent** (10) **Patent No.:** **US D902,639 S**  
**Lin** (45) **Date of Patent:** **\*\* Nov. 24, 2020**

(54) **SUSHI MAKER**

(71) Applicant: **Fuzhou Qianpei E-commerce Co., Ltd.**, Fuzhou (CN)

(72) Inventor: **Xuwei Lin**, Fuzhou (CN)

(\*\*) Term: **15 Years**

(21) Appl. No.: **29/739,923**

(22) Filed: **Jun. 30, 2020**

(51) **LOC (12) Cl.** ..... **07-02**

(52) **U.S. Cl.**  
USPC ..... **D7/368; D7/669**

(58) **Field of Classification Search**  
USPC ..... D7/368, 669, 672-677  
CPC ..... A23P 20/20; A21C 9/063; A21C 9/065;  
A47J 43/20; A22C 25/22

See application file for complete search history.

(56) **References Cited**

**U.S. PATENT DOCUMENTS**

4,437,826	A *	3/1984	Tezuka	.....	A47J 43/20 249/120
4,843,716	A *	7/1989	Lutzker	.....	A21C 11/10 30/130
5,009,905	A *	4/1991	Ikeda	.....	A23P 20/20 426/297
D486,698	S	2/2004	Hutchison		
6,789,468	B2 *	9/2004	Rosen	.....	A47J 43/20 30/130
D642,009	S	7/2011	Renner		
D642,010	S	7/2011	Nakatani		

D651,449	S *	1/2012	Pallotto	.....	D7/368
D651,450	S	1/2012	Pallotto		
2004/0025713	A1 *	2/2004	Leak	.....	A23P 20/20 99/450.6
2008/0196598	A1 *	8/2008	Graham	.....	A21C 9/063 99/426
2009/0301316	A1 *	12/2009	Yavets-Chen	.....	A23P 20/20 99/450.1
2015/0027323	A1 *	1/2015	Campbell	.....	A47J 43/20 99/450.6

\* cited by examiner

*Primary Examiner* — Terry A Wallace

(74) *Attorney, Agent, or Firm* — KA Filing LLC; Cynthia W. Flanigan

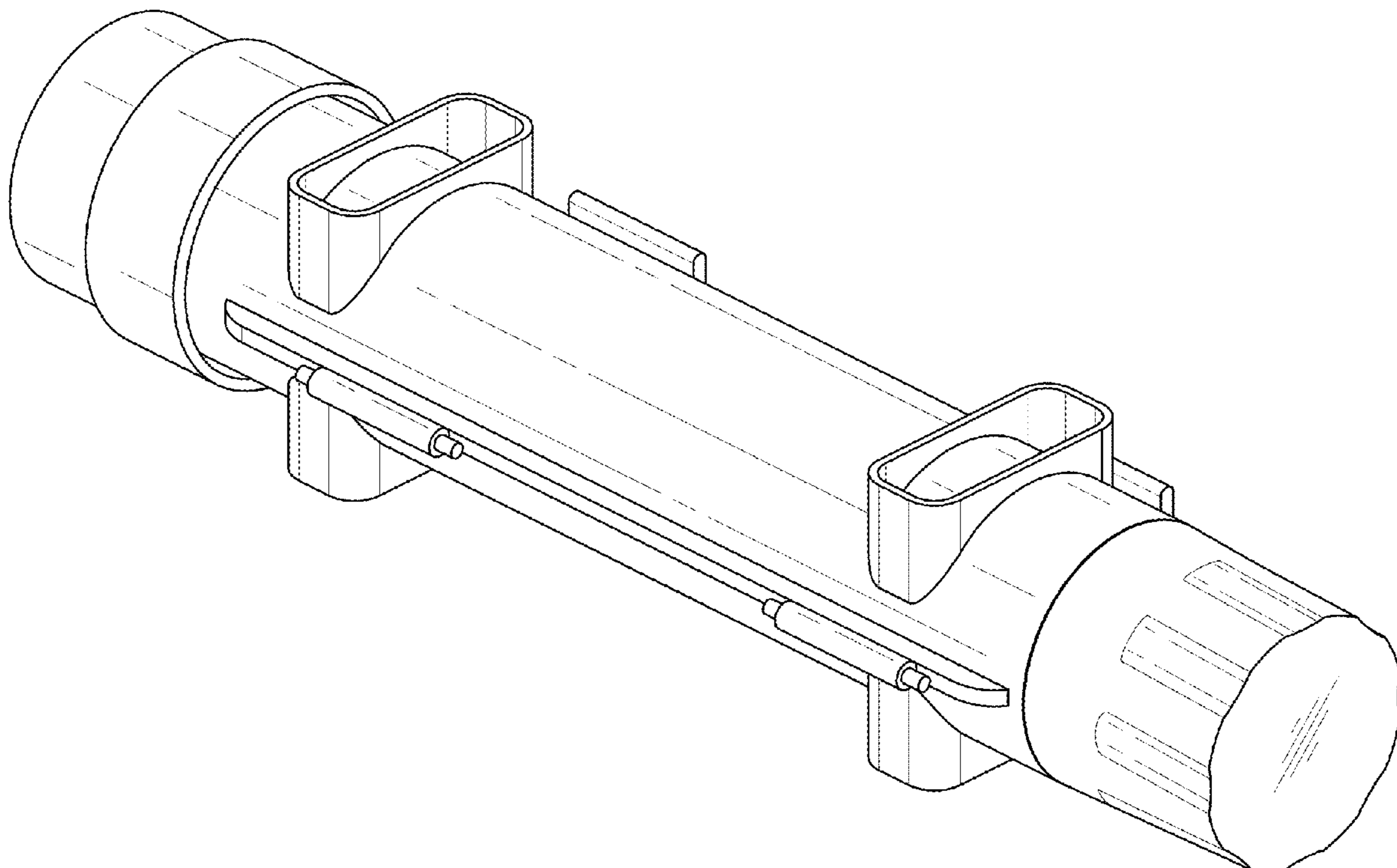
(57) **CLAIM**

I claim the ornamental design for a sushi maker, as shown and described.

**DESCRIPTION**

FIG. 1 is a Perspective view of a sushi maker showing my new design;  
 FIG. 2 is Perspective of an sushi maker showing in open position;  
 FIG. 3 is a Front view thereof;  
 FIG. 4 is a Back view thereof;  
 FIG. 5 is a Right-side view thereof;  
 FIG. 6 is a Left-side view thereof;  
 FIG. 7 is a Top view thereof; and,  
 FIG. 8 is a Bottom view thereof.  
 The broken lines are only for environmental purposes and form no part of the claimed design.

**1 Claim, 7 Drawing Sheets**



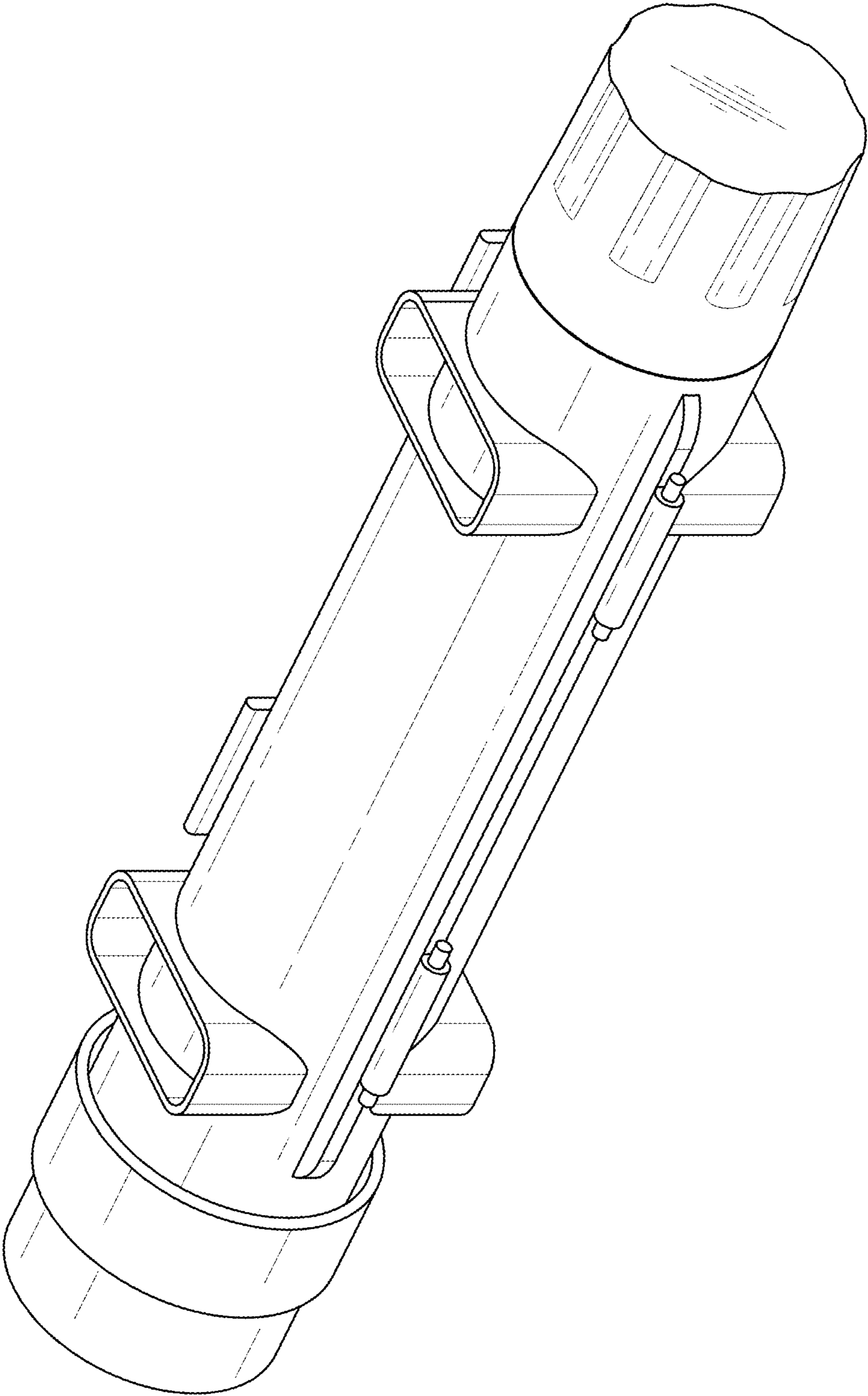


FIG. 1

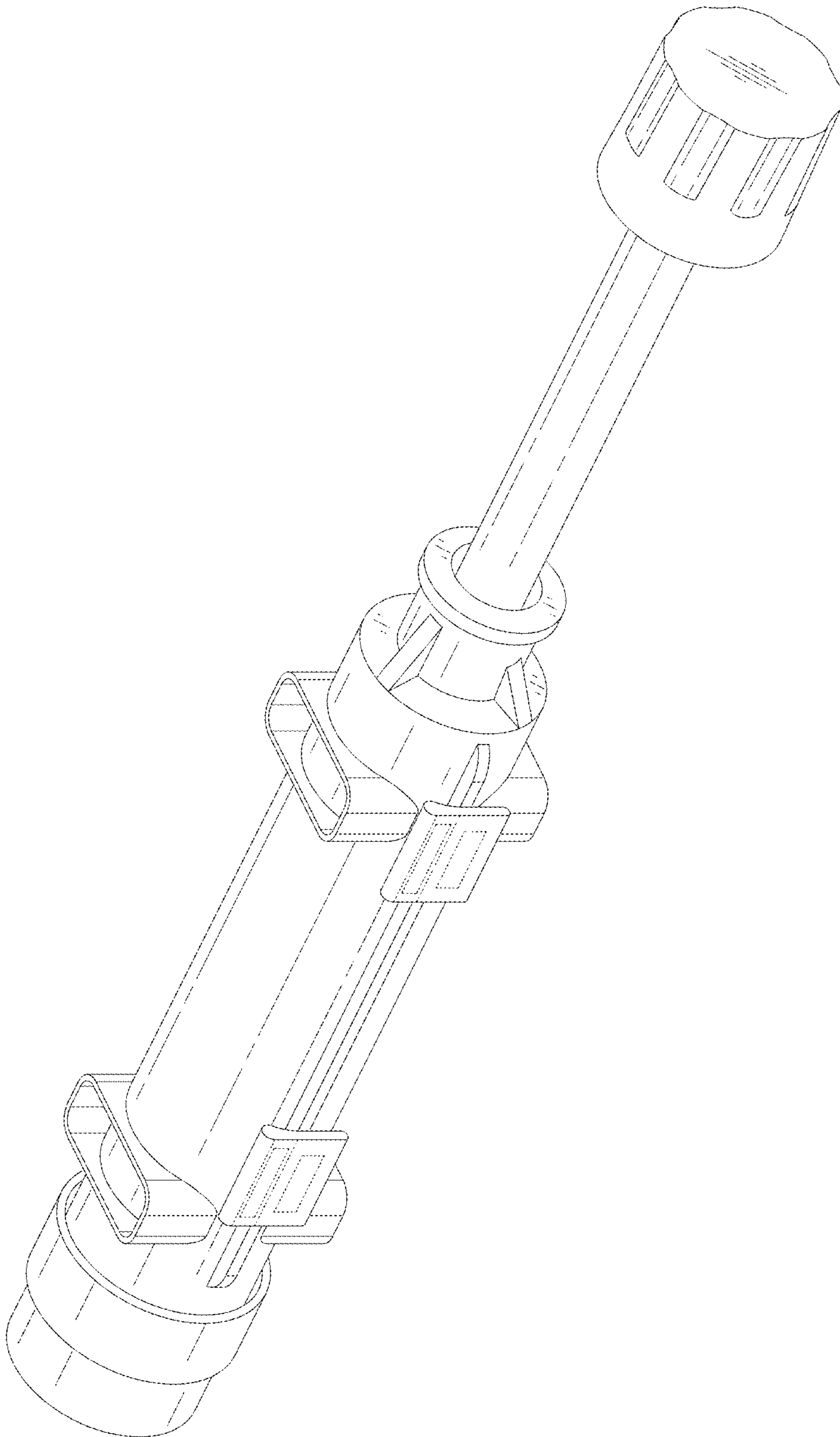


FIG. 2

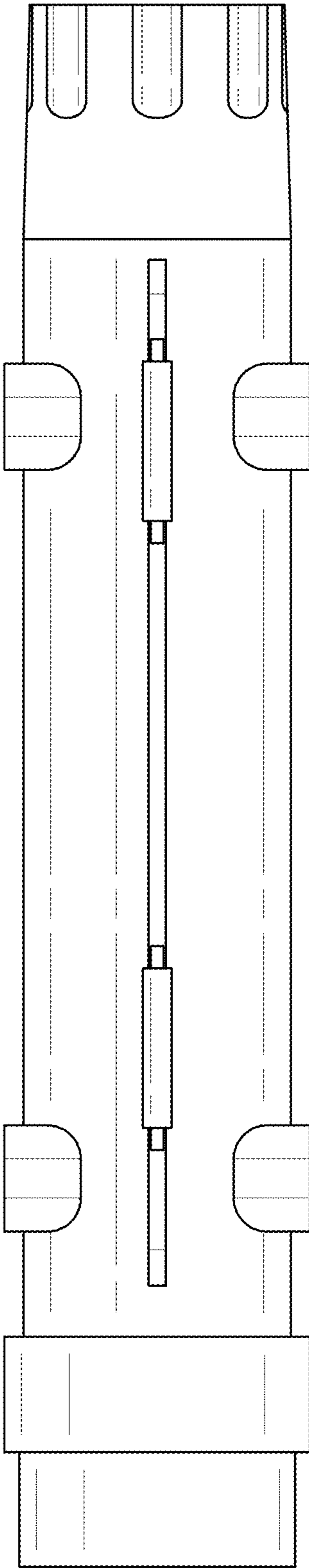


FIG. 3

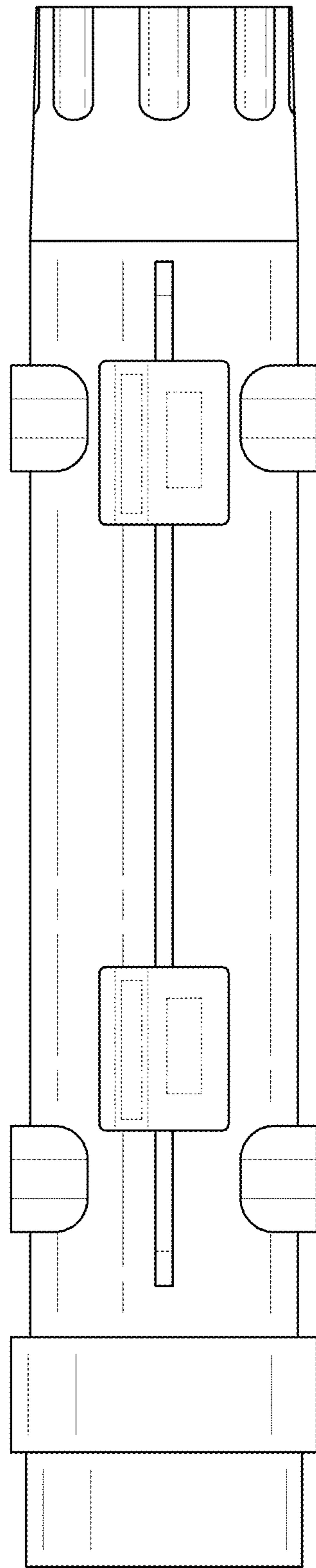


FIG. 4

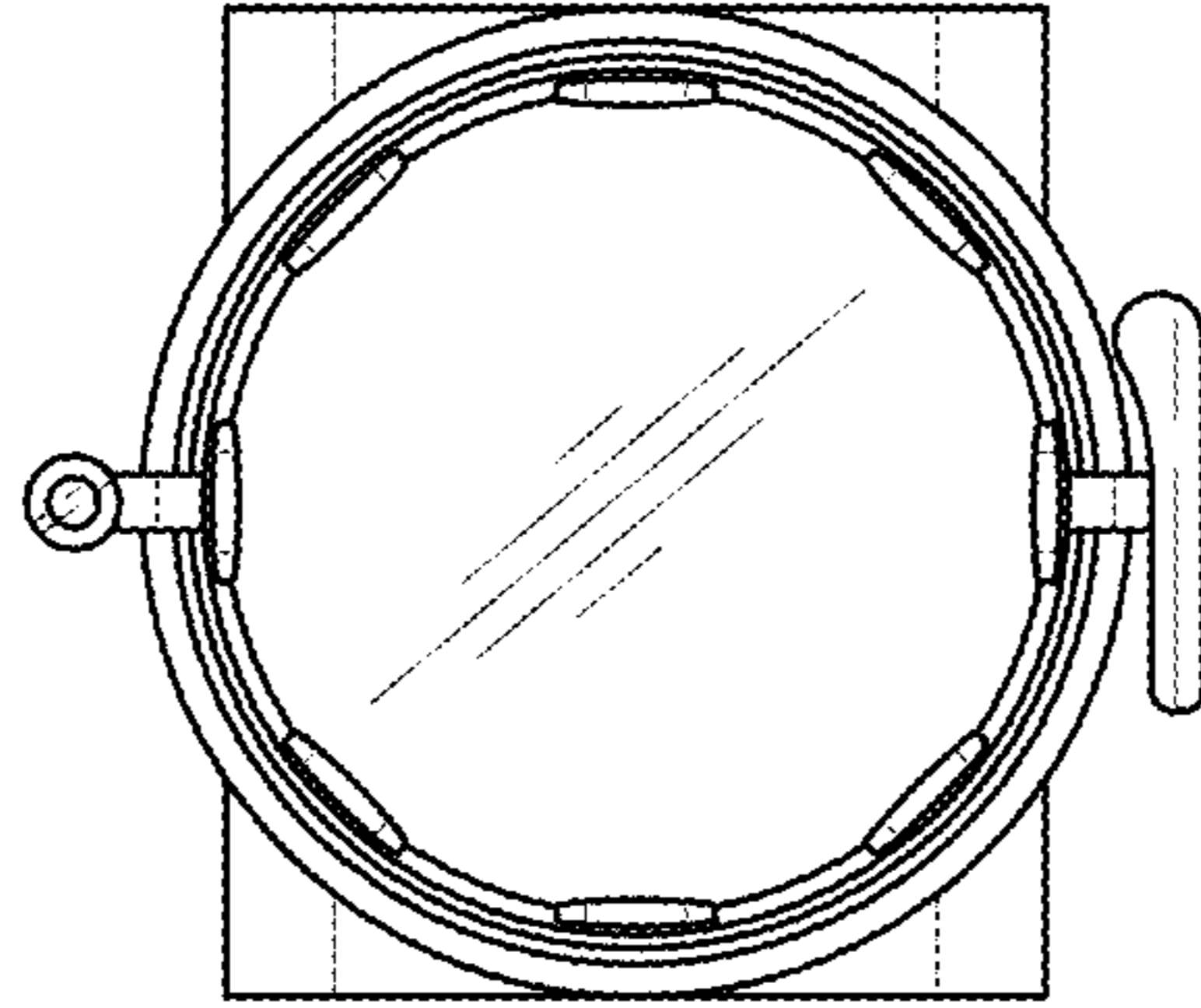


FIG. 5

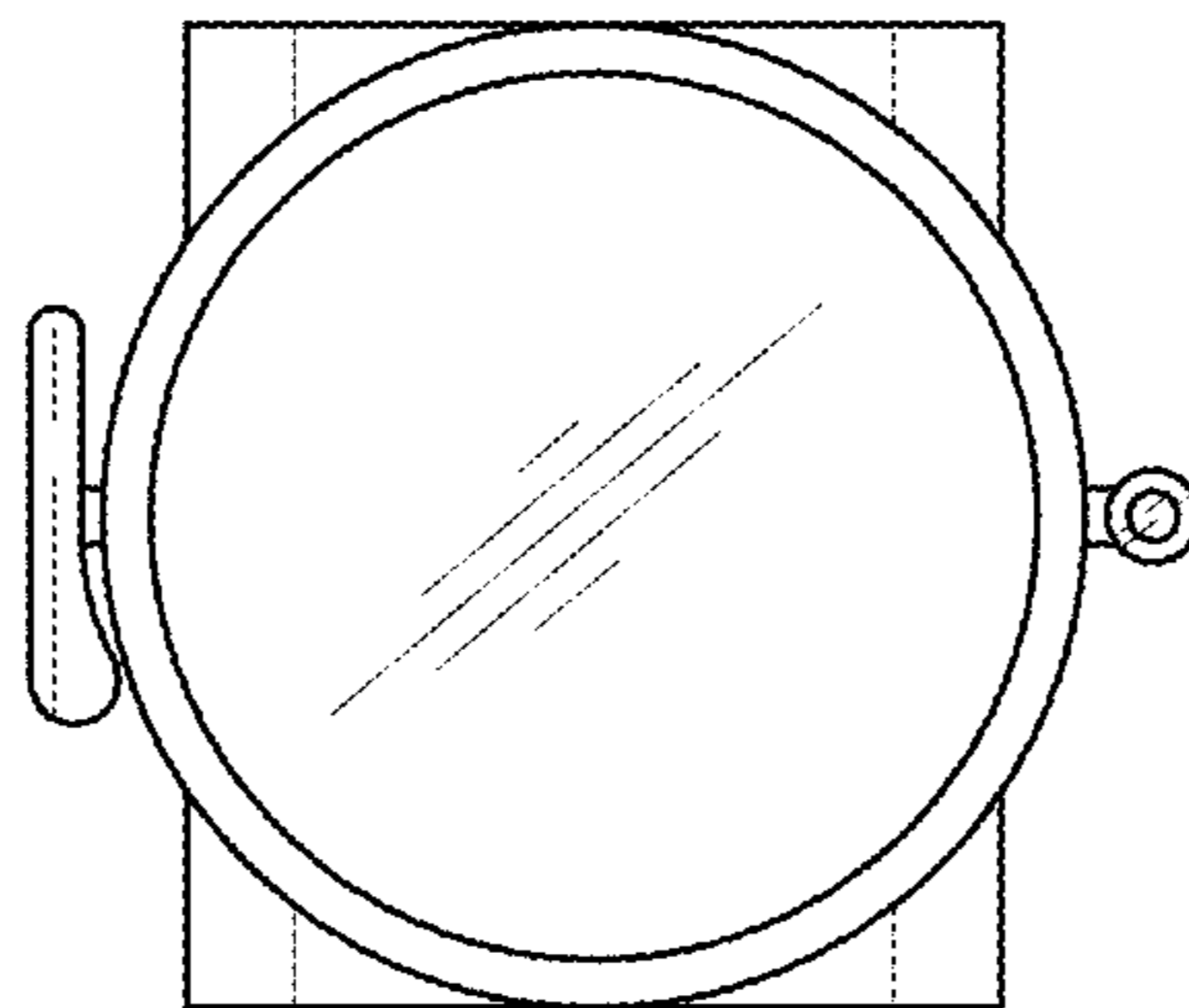


FIG. 6

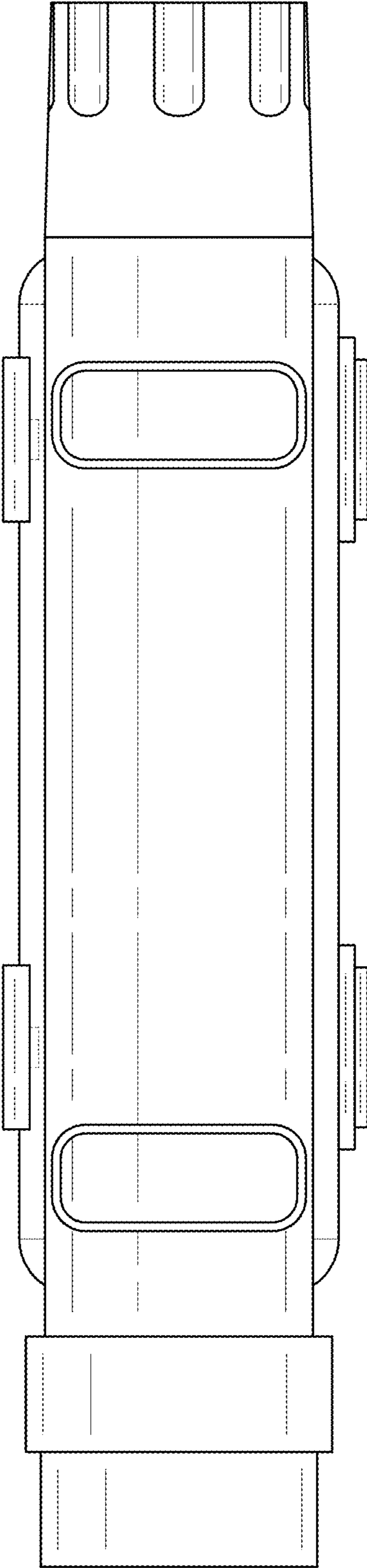


FIG. 7

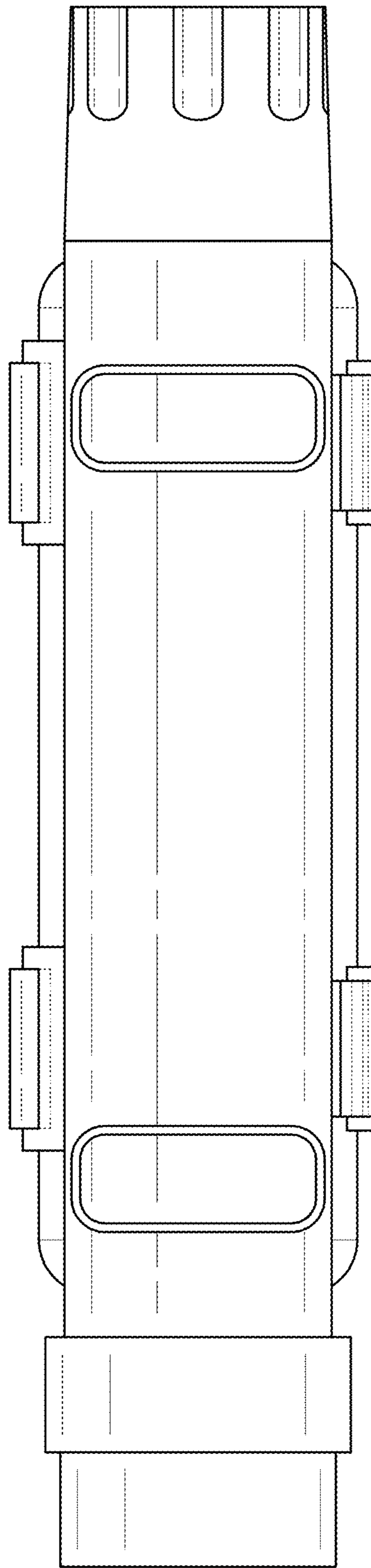


FIG. 8