



US00D902638S

(12) **United States Design Patent**
Chen et al.

(10) **Patent No.:** **US D902,638 S**
(45) **Date of Patent:** **** Nov. 24, 2020**

(54) **ELECTRIC EGG BEATER**

(56) **References Cited**

(71) Applicant: **FUJIAN MEIZHIKOU HOUSEWARE CO., LTD**, Fuzhou (CN)
(72) Inventors: **Naihua Chen**, Fuzhou (CN); **Xiaoqiang Yu**, Fuzhou (CN); **Shaoping Chen**, Fuzhou (CN)
(73) Assignee: **FUJIAN MEIZHIKOU HOUSEWARE CO., LTD**, Fuzhou (CN)

U.S. PATENT DOCUMENTS

D370,704 S	*	6/1996	Oberhoff	D21/684
D464,454 S	*	10/2002	Suzuki	D26/40
D652,162 S	*	1/2012	Wu	D26/47
D652,972 S	*	1/2012	Lee	D26/41
D680,439 S	*	4/2013	Reetz	D9/643
D702,478 S	*	4/2014	Wai	D7/323
D712,192 S	*	9/2014	Prueksapornpong	D7/354
D738,028 S	*	9/2015	Wu	D26/98
D756,161 S	*	5/2016	Sands	D7/358
D783,872 S	*	4/2017	Aksnes	D26/41
D836,718 S	*	12/2018	Xie	D19/73
D848,215 S		5/2019	Chen		
D849,219 S	*	5/2019	Liang	D23/356
D859,912 S		9/2019	Powell		
D862,108 S	*	10/2019	Garcia	D6/518

(**) Term: **15 Years**

* cited by examiner

(21) Appl. No.: **29/746,894**

Primary Examiner — Ricky Pham

(22) Filed: **Aug. 18, 2020**

(74) *Attorney, Agent, or Firm* — ScienBiziP, P.C.

(30) **Foreign Application Priority Data**

(57) **CLAIM**

Jul. 23, 2020 (CN) 2020 3 04059320

The ornamental design for an electric egg beater, as shown and described.

(51) **LOC (12) Cl.** **07-02**

DESCRIPTION

(52) **U.S. Cl.**

USPC **D7/354**; D7/379

FIG. 1 is a front perspective view of an electric egg beater, showing our design;

(58) **Field of Classification Search**

USPC D6/518; D7/323, 354–361, 500, 503; D9/643; D19/73; D21/684; D23/356; D26/40, 41, 47, 98

FIG. 2 is a rear perspective view thereof;

FIG. 3 is a front elevation view thereof;

FIG. 4 is a rear elevation view thereof;

FIG. 5 is a left side elevation view thereof;

FIG. 6 is a right side elevation view thereof;

FIG. 7 is a top plan view thereof; and,

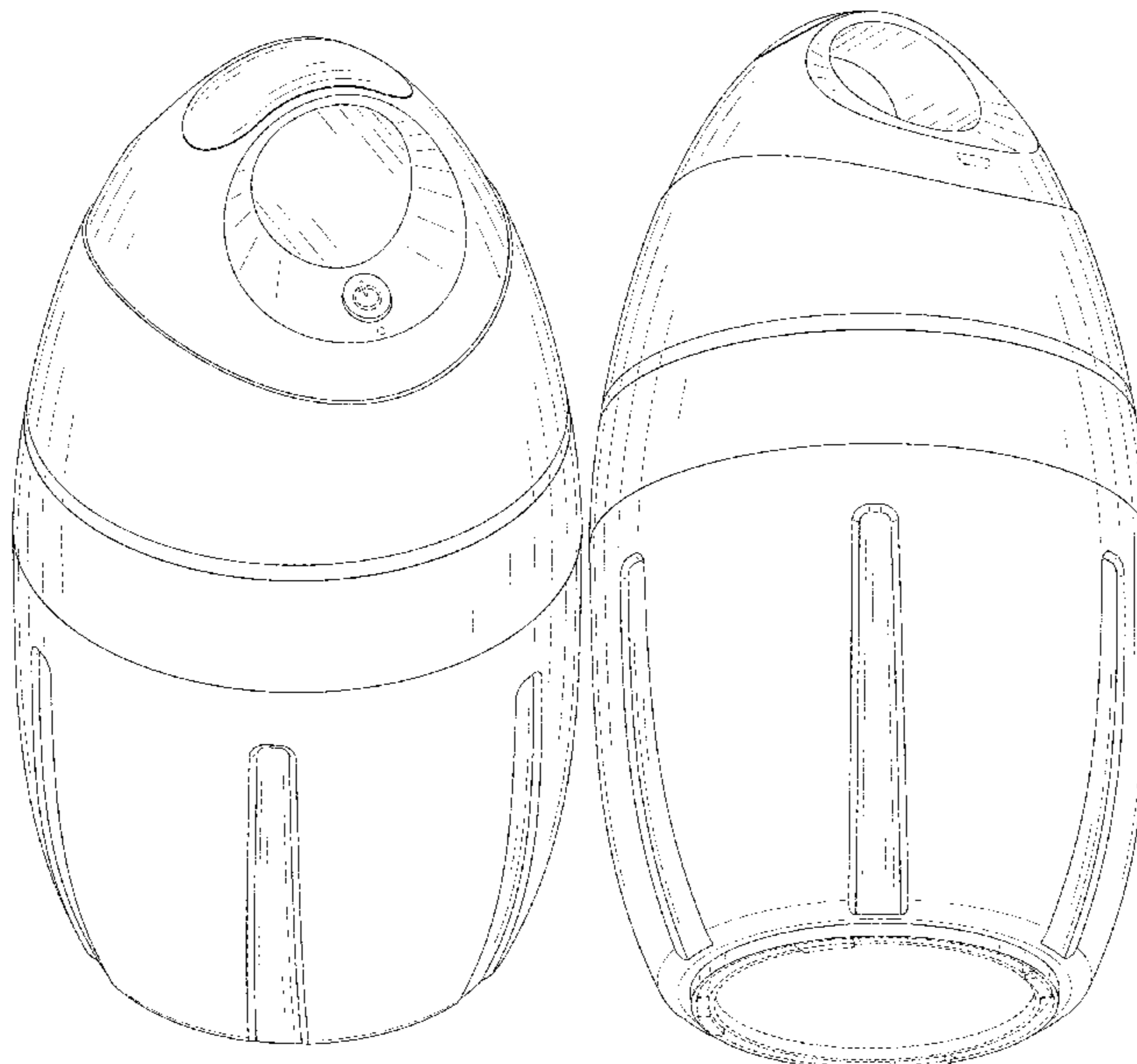
FIG. 8 is a bottom plan view thereof.

The broken lines in the drawings depict environmental structure and boundaries and form no part of the claimed design.

CPC A01K 41/02; A01K 41/023; A01K 41/026; A01K 41/06; A21B 5/02; A21B 5/026; A21B 5/04; A23B 5/00; A23B 5/005; A23B 5/0052; A47J 27/00; A47J 27/004; A47J 29/00; A47J 29/02; A47J 29/04; A47J 29/06; A47J 36/025; A47J 36/06; A47J 36/12

See application file for complete search history.

1 Claim, 8 Drawing Sheets



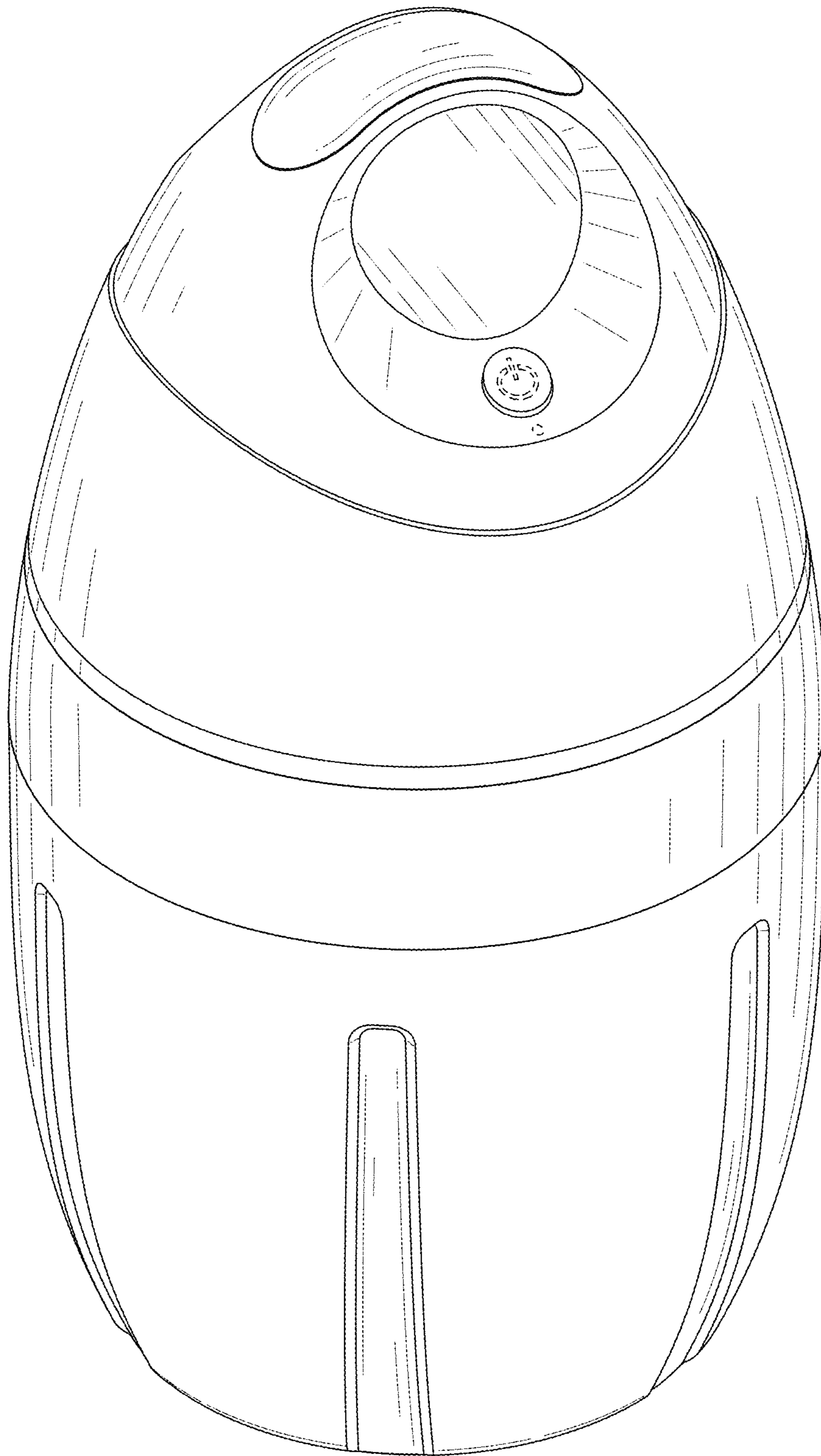


FIG. 1

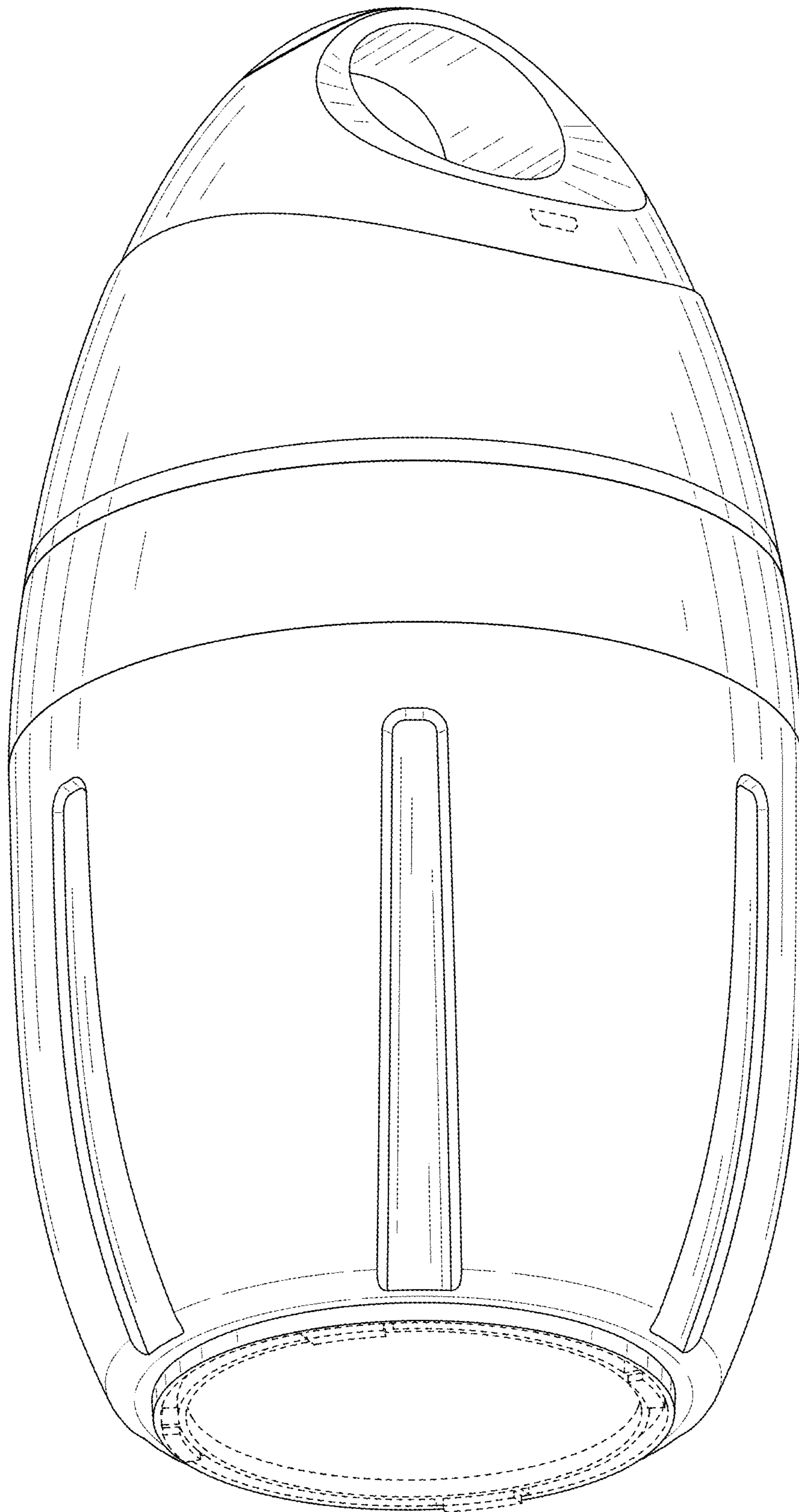


FIG. 2

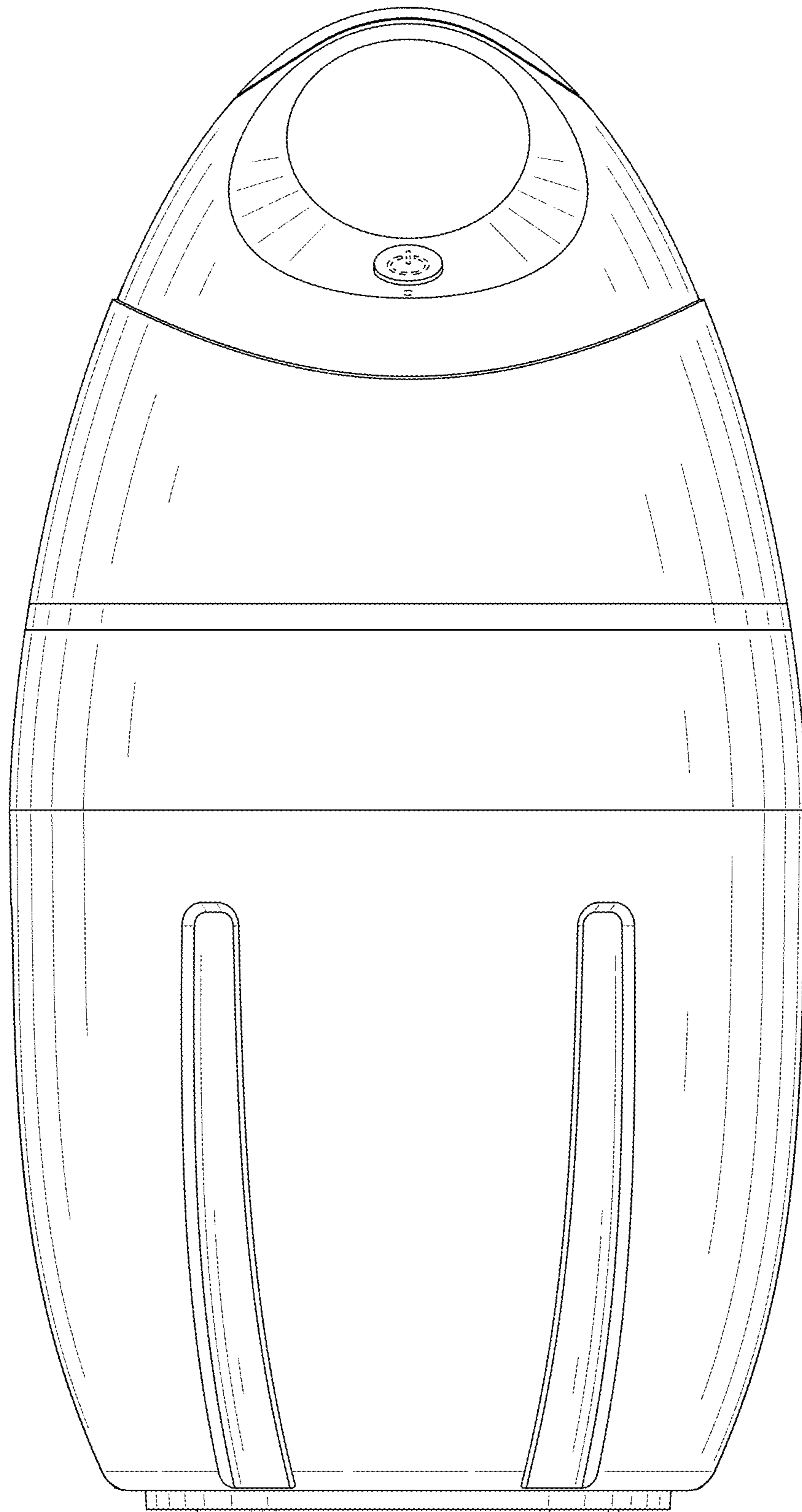


FIG. 3

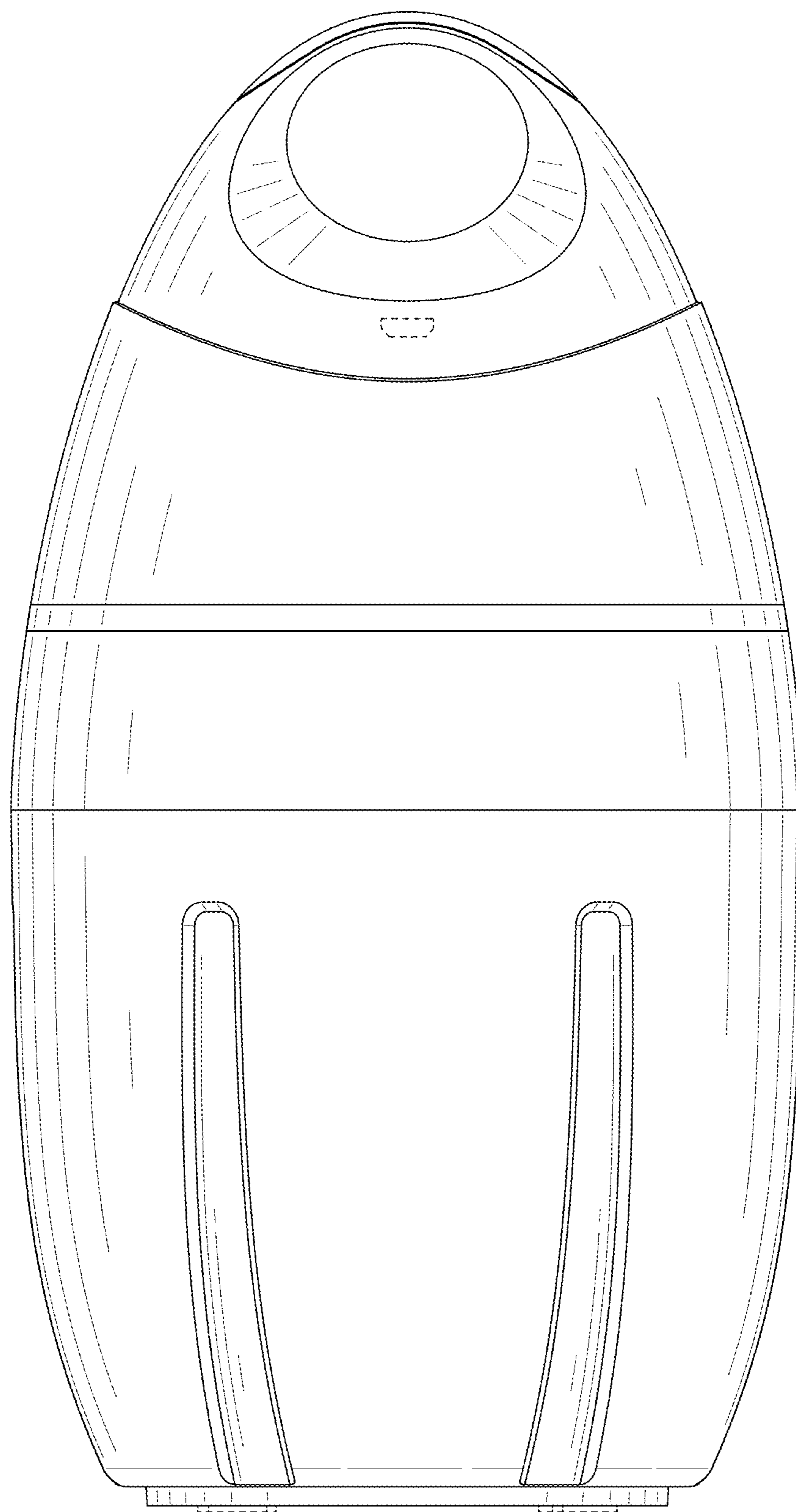


FIG. 4

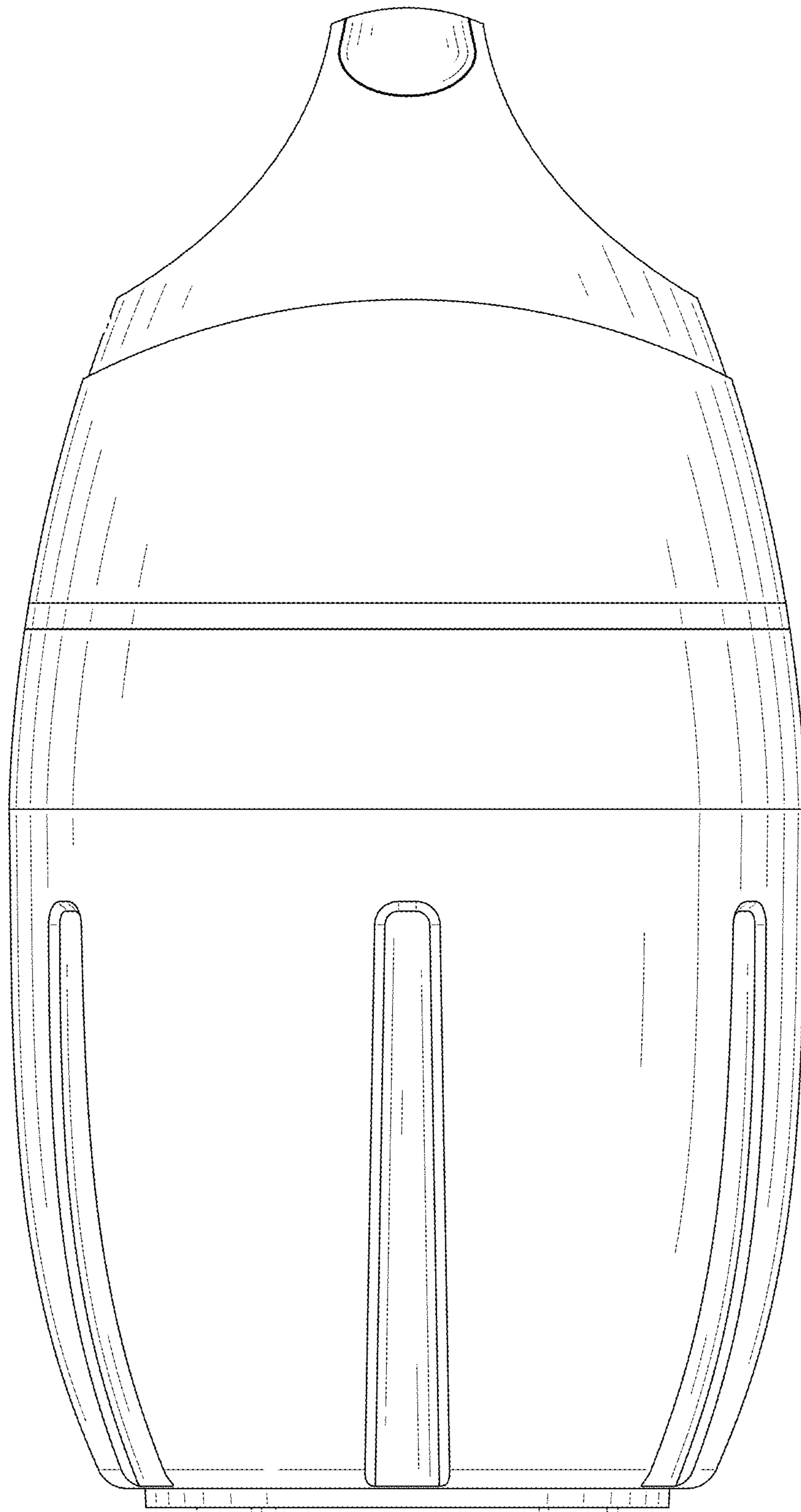


FIG. 5

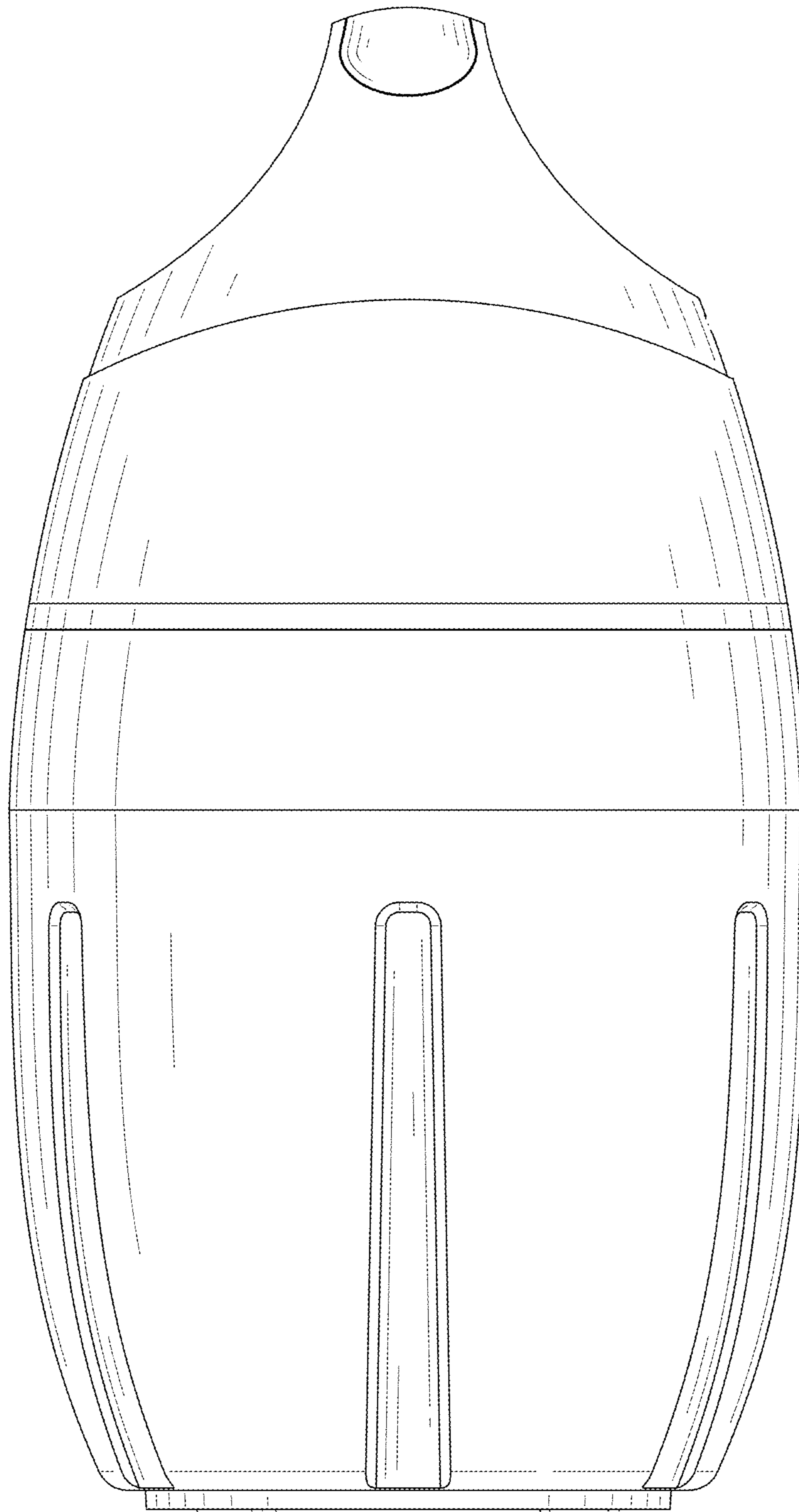


FIG. 6

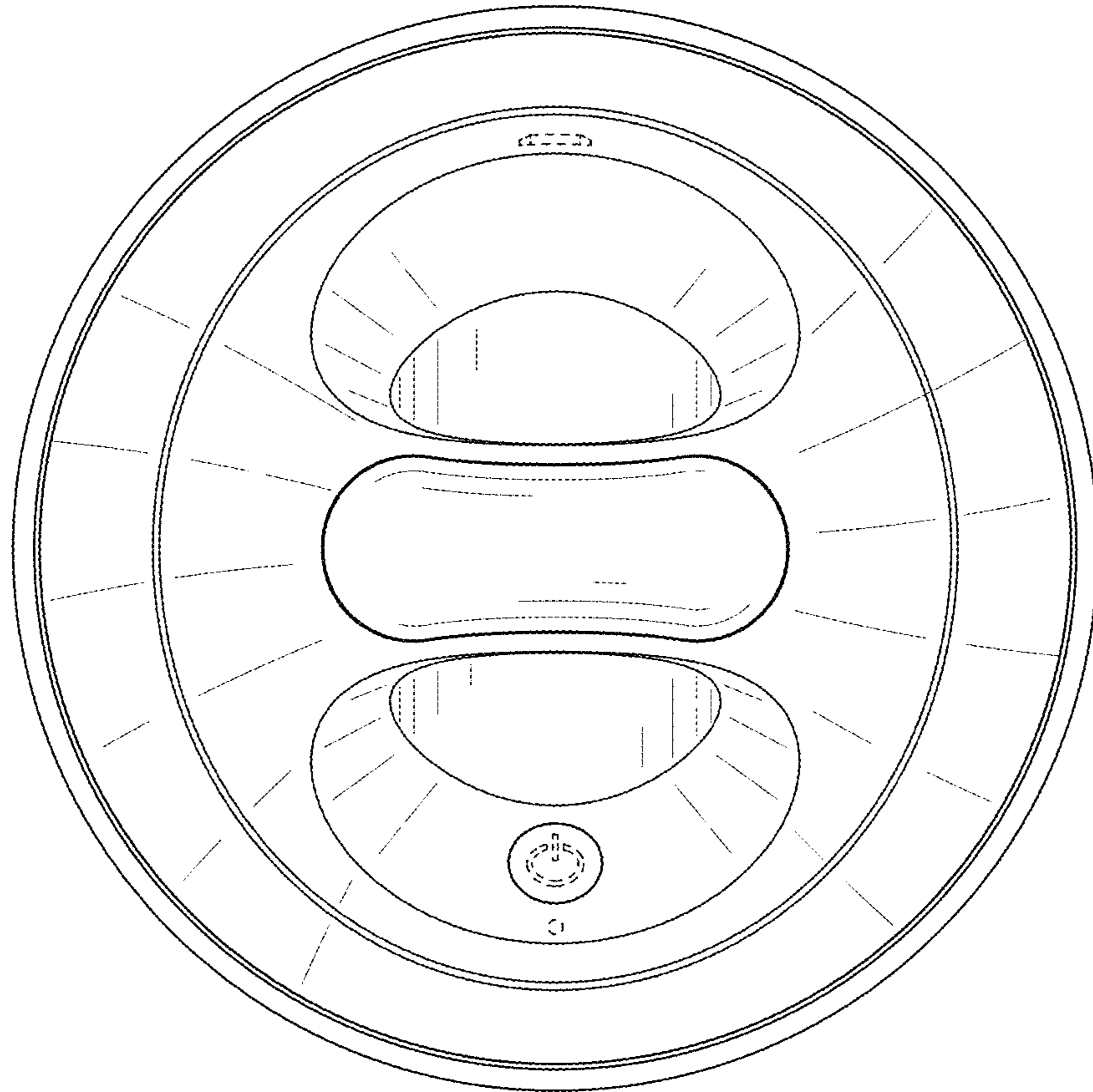


FIG. 7

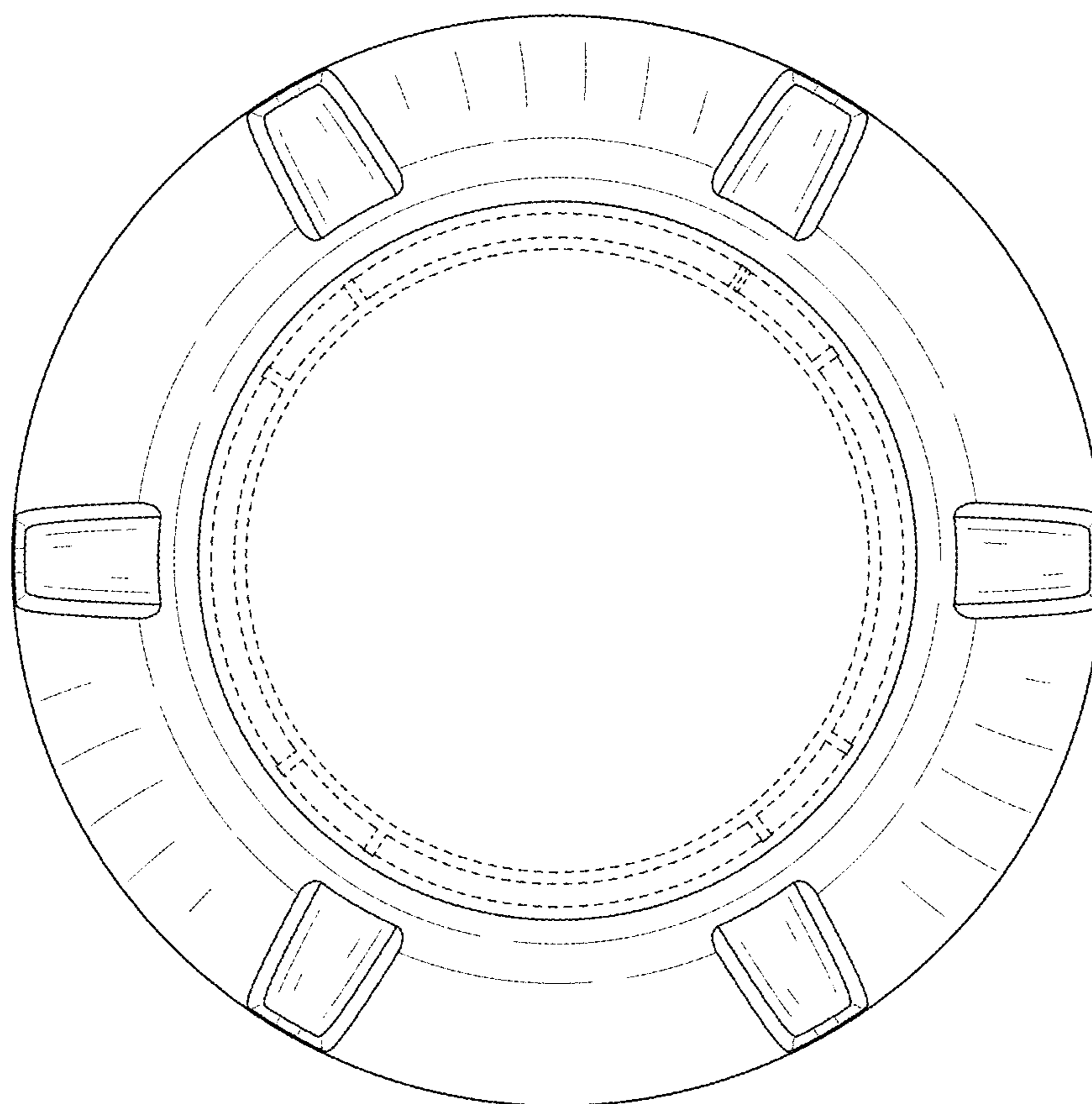


FIG. 8