



US00D902635S

(12) **United States Design Patent** (10) **Patent No.:** **US D902,635 S**
Jian (45) **Date of Patent:** **** Nov. 24, 2020**

(54) **TABLE**

- (71) Applicant: **Shandong Excel Light Industrial Products Co Ltd, Zibo (CN)**
- (72) Inventor: **Shen Jian, Zibo (CN)**
- (**) Term: **15 Years**
- (21) Appl. No.: **29/697,506**
- (22) Filed: **Jul. 9, 2019**
- (51) **LOC (12) Cl.** **06-06**
- (52) **U.S. Cl.**
USPC **D6/707.14; D6/707.18; D6/707.2; D6/688.12**
- (58) **Field of Classification Search**
USPC D6/685, 686, 688, 688.11–688.13, 692, D6/692.1–692.6, 707, 707.17, 707.18, D6/707.2; D5/7, 20, 37; D7/335; D21/7, 20, 37
CPC A47B 7/00; A47B 13/00; A47B 13/02; A47B 13/08; A47B 21/00; A47B 2200/0001
See application file for complete search history.

(56) **References Cited**

U.S. PATENT DOCUMENTS

D66,344 S *	12/1924	Worms	D5/7
D86,529 S *	3/1932	Lober et al.	D6/707.19
D88,060 S *	10/1932	Willheim	D5/7
D88,259 S *	11/1932	Schey	D5/37
D89,228 S *	2/1933	Watling	D21/346
D254,113 S *	2/1980	Vroman	A47B 13/081 D6/707.18
D370,807 S *	6/1996	Maple	D6/707.18
D385,729 S *	11/1997	Paus	D6/692.1
D408,659 S *	4/1999	Mohundro	D6/692.1
D452,625 S *	1/2002	Chang	D6/349
D469,638 S *	2/2003	O'Hare	D6/688.12
D496,199 S *	9/2004	Varshney	D6/707
D729,915 S *	5/2015	Zhang	D23/343
2016/0166109 A1 *	6/2016	Banal	A47B 13/081 108/50.13

OTHER PUBLICATIONS

Round Pietre Dure Geometric White Marble Mosaic Table Top—1st Dibs Dat of manufacture—1990 https://www.1stdibs.com/furniture/tables/center-tables/round-pietre-dure-geometric-white-marble-mosaic-table-top/id-f_17581732/ retrieved from the internet on Sep. 8, 2020.*
Dipali Mosaic End Table—Wayfair—retrieved from the internet on Sep. 8, 2020 <https://www.wayfair.com/World-Menagerie--Dipali-Mosaic-End-Table-X113532435-L442-K~W002421324.html?refid=GX433553610453-W002421324&device=c&ptid=903470252365&network=g&targetid=pla-903470252365&channel=GooglePLA&ireid=96809349&fdid=1817>.*

* cited by examiner

Primary Examiner — Mary Ann Calabrese
(74) *Attorney, Agent, or Firm* — Tommy S F Wang; Wang IP Law Group, P.C.

(57) **CLAIM**

The ornamental design for a table, as shown and described.

DESCRIPTION

The patent or application file contains at least one drawing executed in color. Copies of this patent or patent application publication with color drawing(s) will be provided by the Office upon request and payment of the necessary fee.
FIG. 1 is a top perspective view of a table showing my new design;
FIG. 2 is a bottom perspective view thereof;
FIG. 3 is a front view thereof;
FIG. 4 is a rear view thereof;
FIG. 5 is a left side view thereof;
FIG. 6 is a right side view thereof;
FIG. 7 is a top view thereof; and,
FIG. 8 is a bottom view thereof.
The broken lines shown in the drawings illustrate portions of the table that form no part of the claimed design.

1 Claim, 8 Drawing Sheets
(2 of 8 Drawing Sheet(s) Filed in Color)

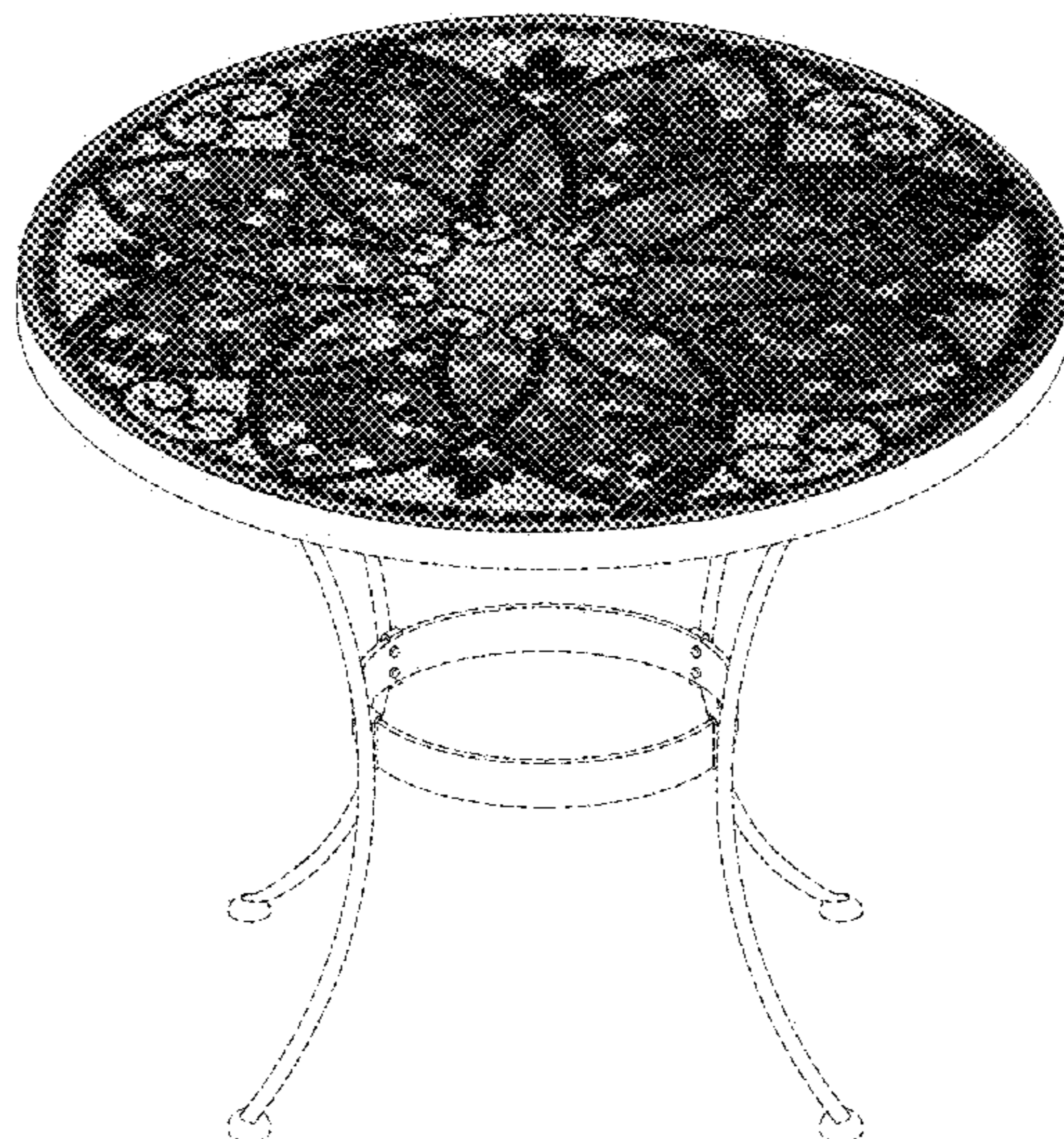




FIG. 1

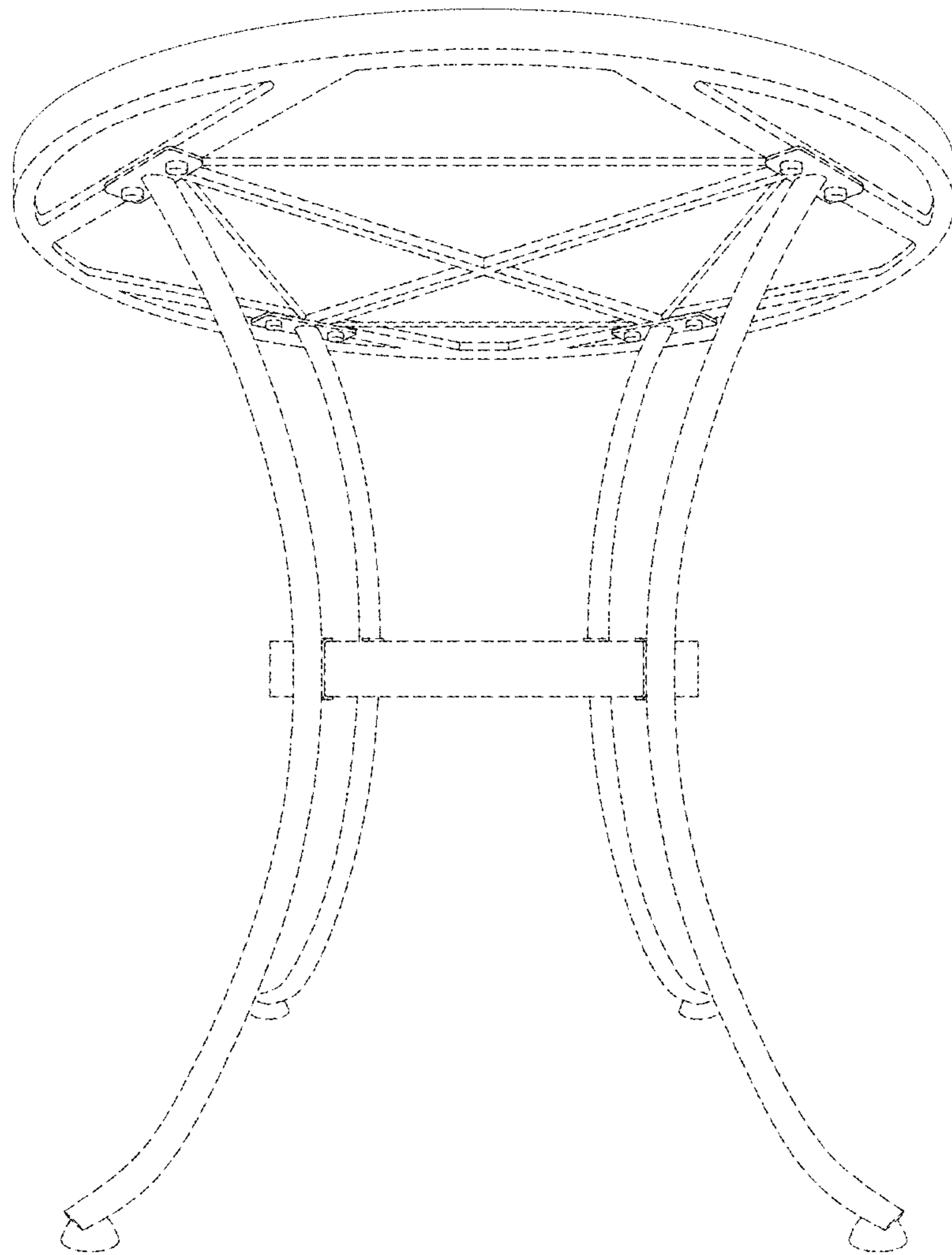


FIG. 2

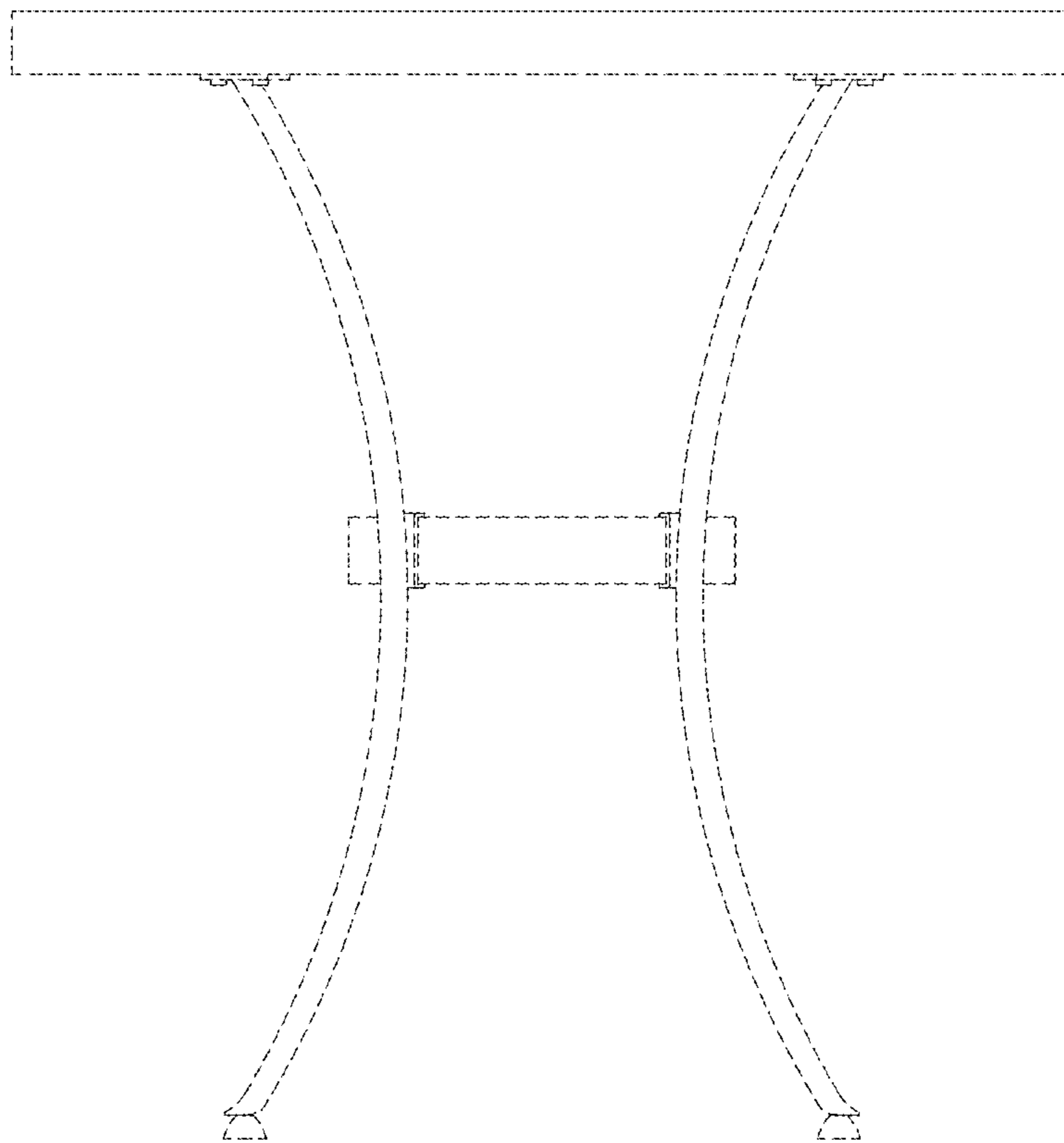


FIG. 3

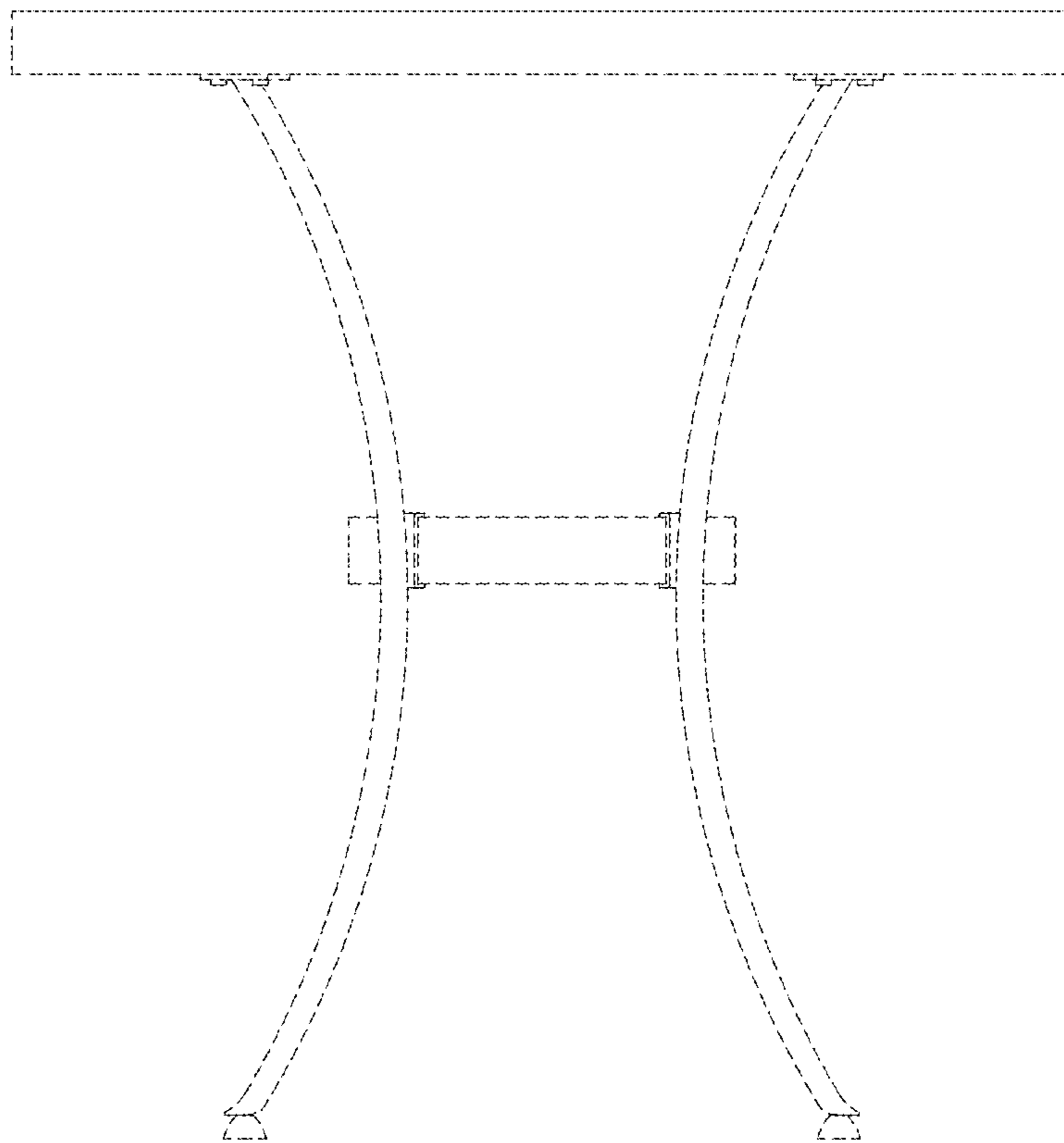


FIG. 4

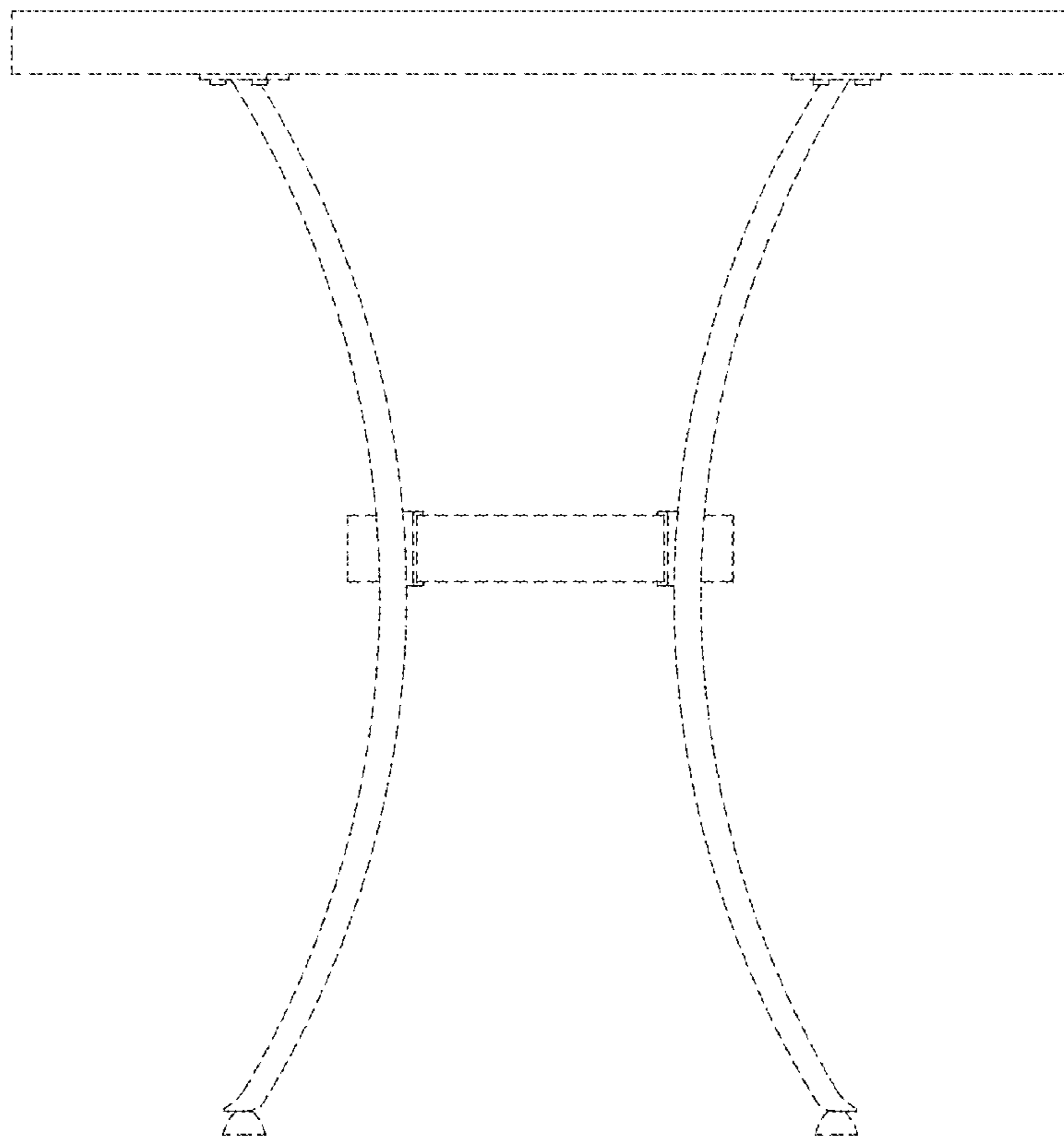


FIG. 5

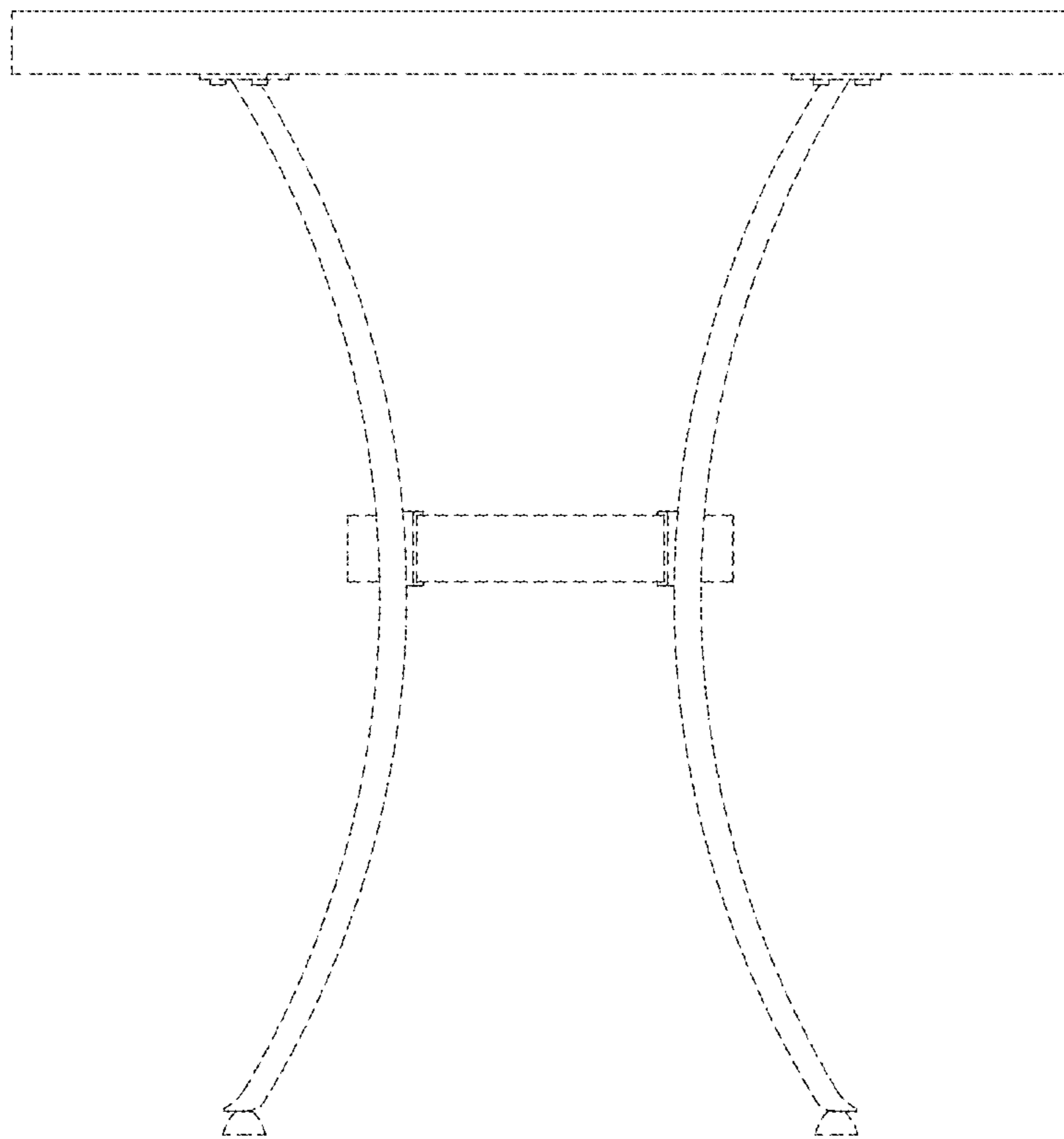


FIG. 6

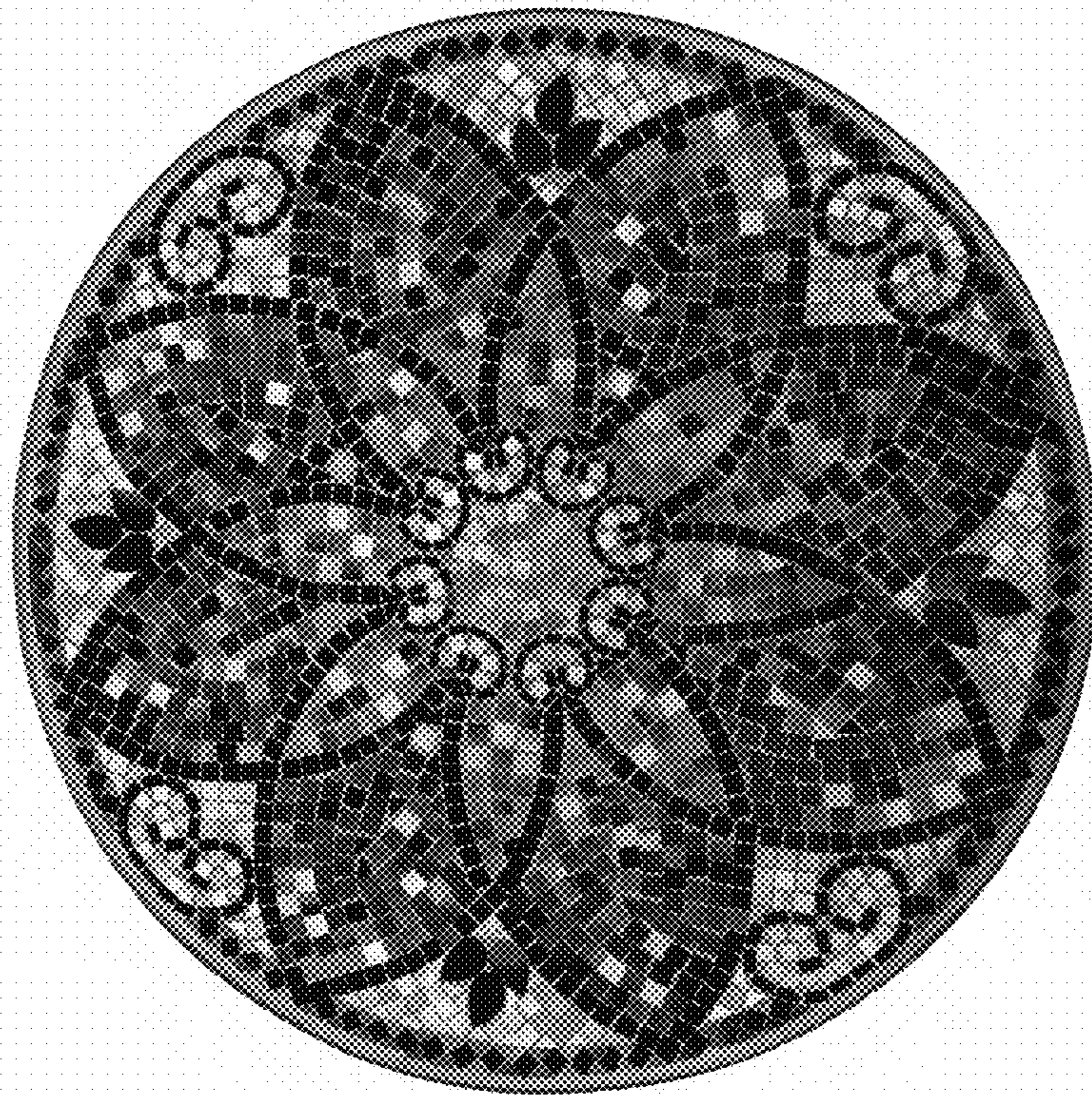


FIG. 7

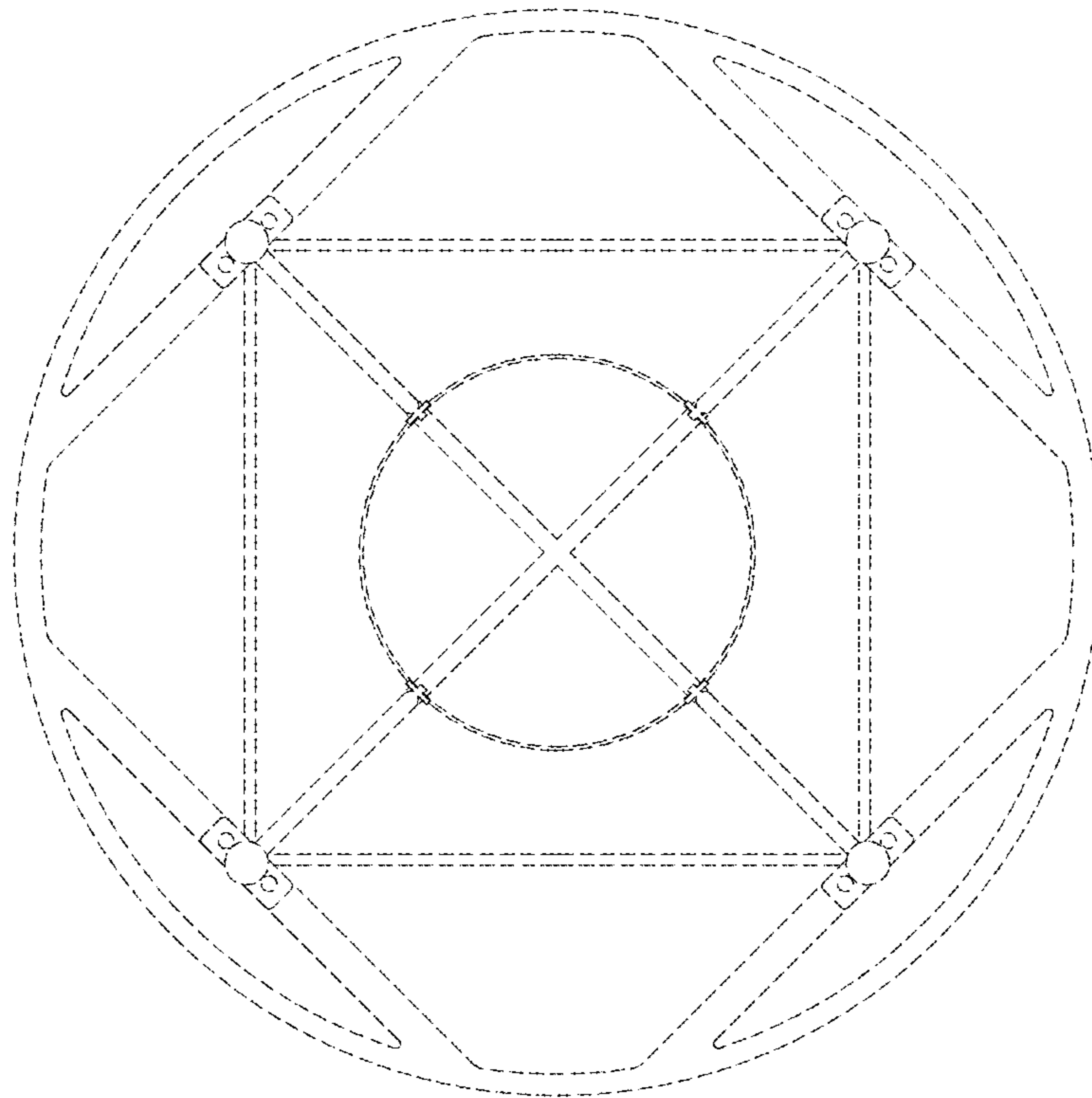


FIG. 8