



US00D902633S

(12) **United States Design Patent** (10) **Patent No.:** **US D902,633 S**  
**Irgang et al.** (45) **Date of Patent:** **\*\* Nov. 24, 2020**

(54) **DRAWER PART**

- (71) Applicant: **Julius Blum GmbH**, Hoechst (AT)
- (72) Inventors: **Markus Irgang**, Altach (AT); **Guenter Schwarzmann**, Dornbirn (AT); **Emanuel Netzer**, Hoechst (AT); **Elvis Music**, Lindau (DE)
- (73) Assignee: **Julius Blum GmbH**, Hoechst (AT)
- (\*\*) Term: **15 Years**
- (21) Appl. No.: **29/653,999**
- (22) Filed: **Jun. 20, 2018**

(30) **Foreign Application Priority Data**

Dec. 22, 2017	(EM)	4562304-0001
Dec. 22, 2017	(EM)	4562304-0003
Dec. 22, 2017	(EM)	4562304-0005
Dec. 22, 2017	(EM)	4562304-0009
Dec. 22, 2017	(EM)	4562304-0015
Dec. 22, 2017	(EM)	4562304-0041

- (51) **LOC (12) Cl.** ..... **06-06**
- (52) **U.S. Cl.**  
USPC ..... **D6/705**

- (58) **Field of Classification Search**  
USPC ..... D6/703, 703.2, 703.3, 705, 705.2, 705.4, D6/705.5, 705.7, 707.19, 707.25, 706  
CPC ..... A47B 88/00; A47B 88/40; A47B 88/402; A47B 88/407; A47B 88/413; A47B 88/417; A47B 88/433; A47B 88/90; A47B 88/906; A47B 88/944  
See application file for complete search history.

(56) **References Cited**

U.S. PATENT DOCUMENTS

D278,194 S *	4/1985	Hardy	.....	D6/705.4
5,489,148 A *	2/1996	Grass	.....	A47B 88/90 312/348.2
5,536,083 A *	7/1996	Brustle	.....	A47B 88/443 312/334.6

(Continued)

*Primary Examiner* — R. Johnson  
(74) *Attorney, Agent, or Firm* — Wenderoth, Lind & Ponack, L.L.P.

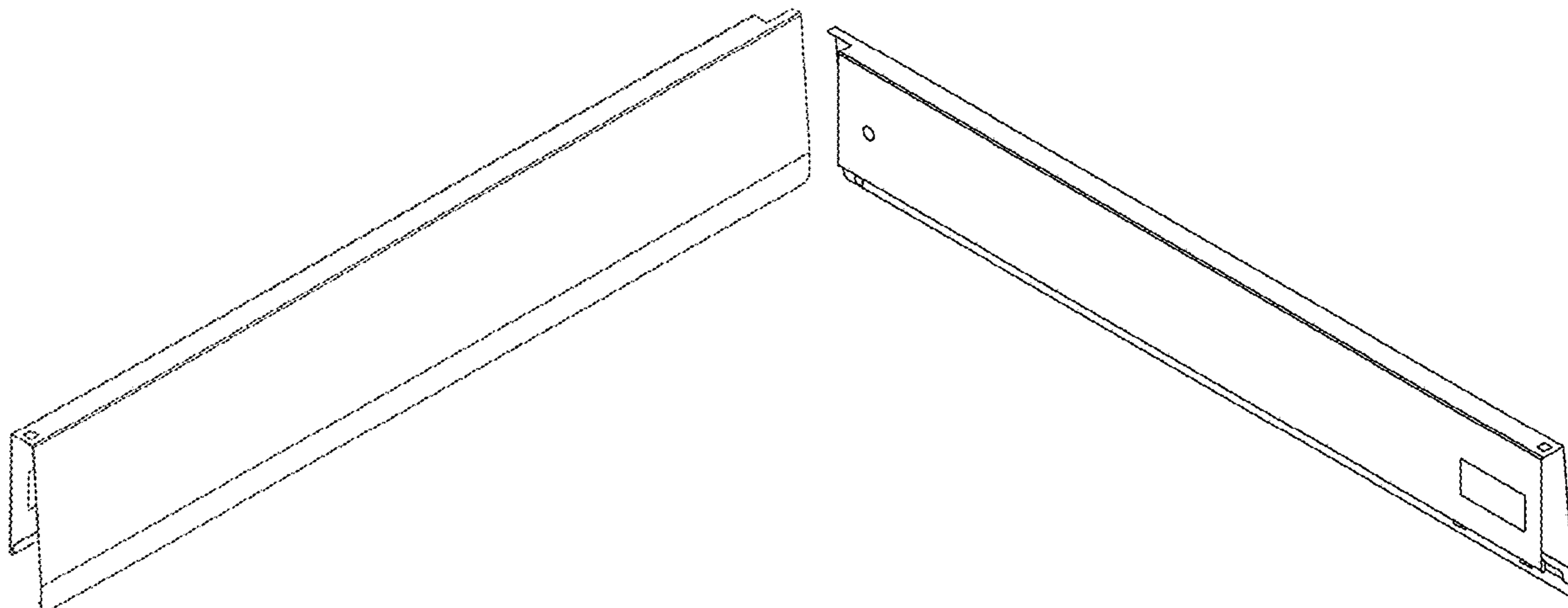
(57) **CLAIM**

The ornamental design for a drawer part, as shown and described.

**DESCRIPTION**

FIG. 1 is a front perspective view of the first embodiment of a drawer part;  
 FIG. 2 is a front view thereof;  
 FIG. 3 is a right side view thereof;  
 FIG. 4 is a left side view thereof;  
 FIG. 5 is a top view thereof;  
 FIG. 6 is a bottom view thereof;  
 FIG. 7 is a rear view thereof;  
 FIG. 8 is a rear perspective view thereof;  
 FIG. 9 is a front perspective view of the second embodiment of a drawer part;  
 FIG. 10 is a front view thereof;  
 FIG. 11 is a right side view thereof;  
 FIG. 12 is a left side view thereof;  
 FIG. 13 is a top view thereof;  
 FIG. 14 is a bottom view thereof;  
 FIG. 15 is a rear view thereof;  
 FIG. 16 is a rear perspective view thereof;  
 FIG. 17 is a front perspective view of the third embodiment of a drawer part;  
 FIG. 18 is a front view thereof;  
 FIG. 19 is a right side view thereof;  
 FIG. 20 is a left side view thereof;  
 FIG. 21 is a top view thereof;  
 FIG. 22 is a bottom view thereof;  
 FIG. 23 is a rear view thereof; and,  
 FIG. 24 is a rear perspective view thereof.

**1 Claim, 24 Drawing Sheets**



(56)

**References Cited**

U.S. PATENT DOCUMENTS

D563,125 S \* 3/2008 Held ..... D6/705.4  
D572,510 S \* 7/2008 Bohler ..... D8/349  
D572,511 S \* 7/2008 Bohler ..... D6/705.4  
D577,936 S \* 10/2008 Held ..... D6/705.4  
D686,429 S \* 7/2013 Kampl ..... D6/705  
D746,090 S \* 12/2015 Grabher ..... D6/705.5  
D882,316 S \* 4/2020 Schwarzmann ..... D6/705  
2006/0049730 A1\* 3/2006 Sutterlutti ..... A47B 88/90  
312/330.1  
2020/0000226 A1\* 1/2020 Kampl ..... A47B 88/925

\* cited by examiner

FIG. 1

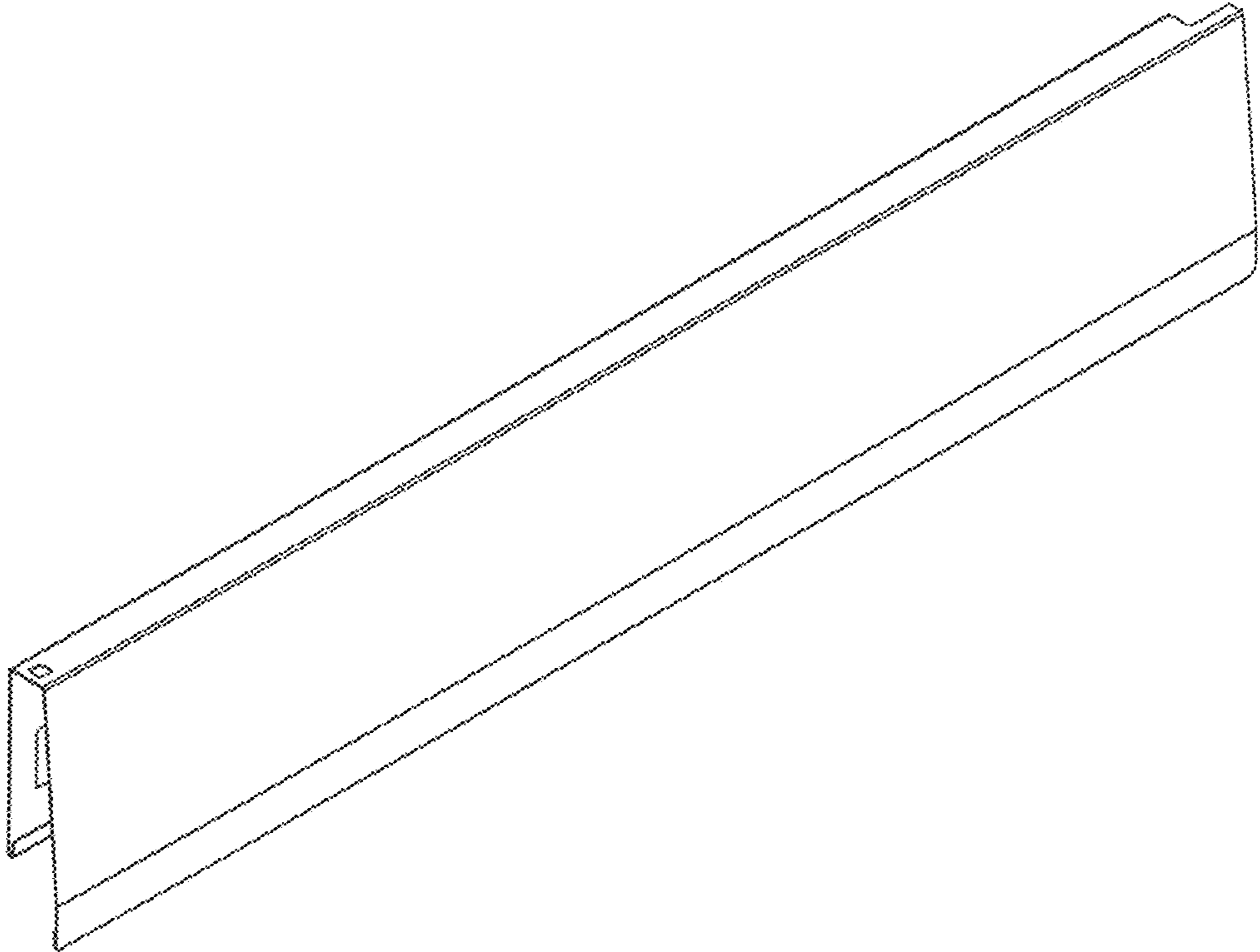


FIG. 2

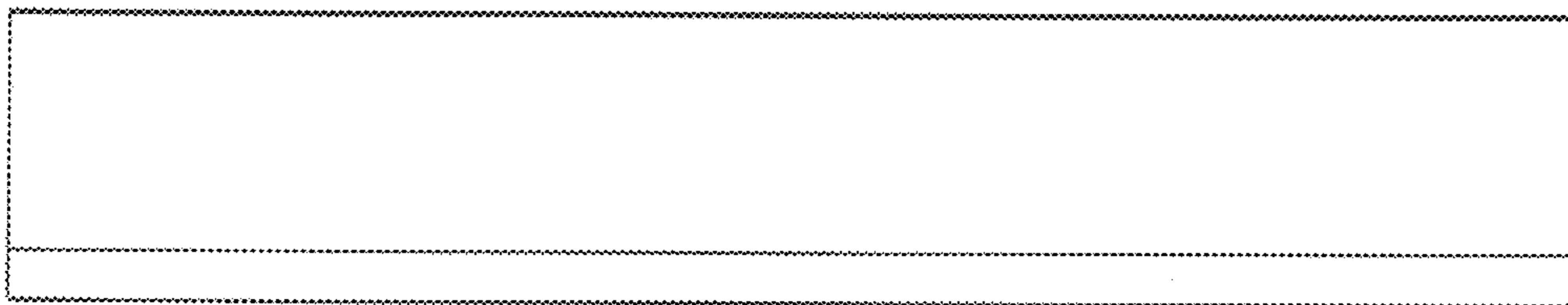


FIG. 3

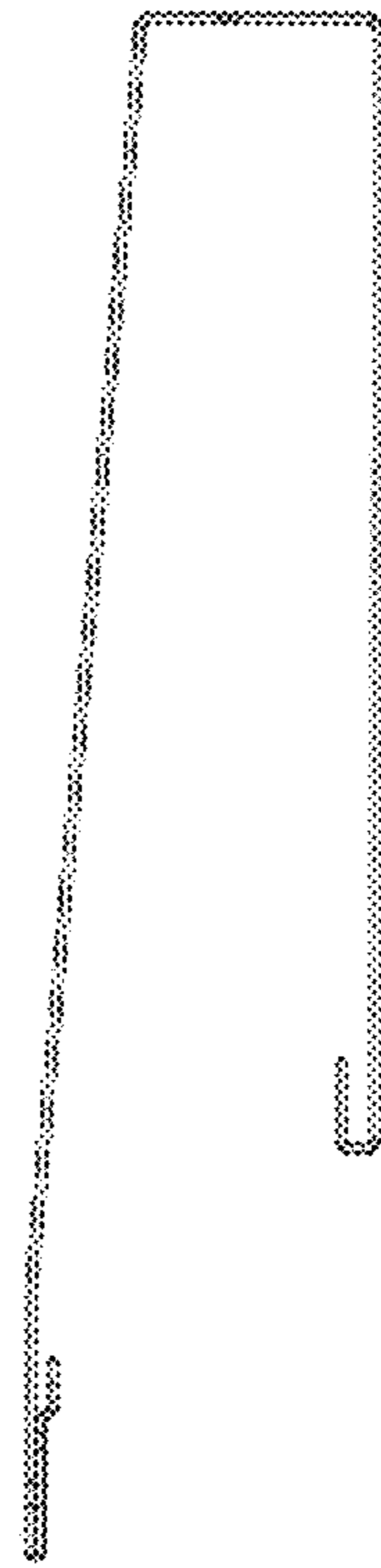


FIG. 4

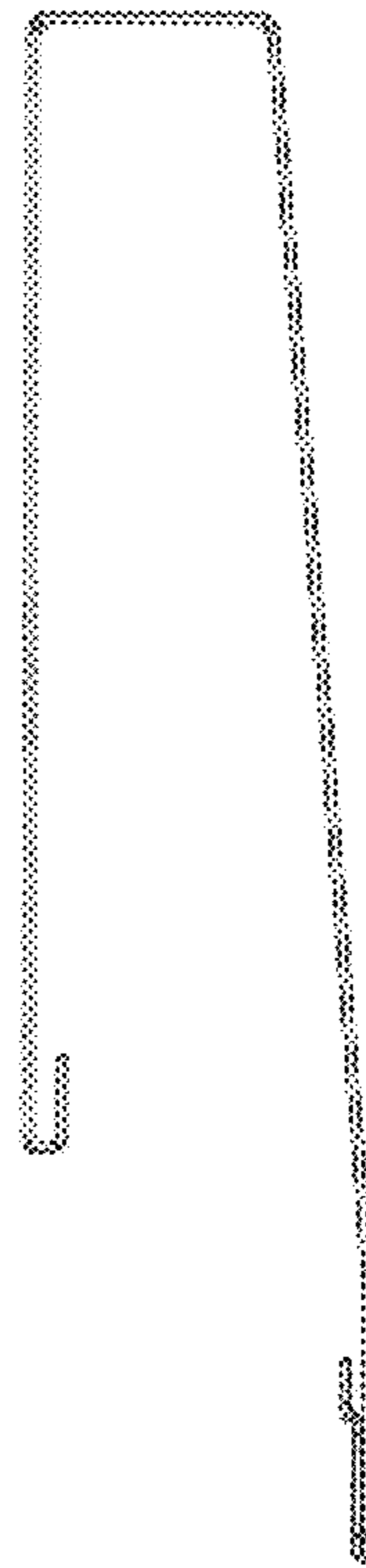


FIG. 5

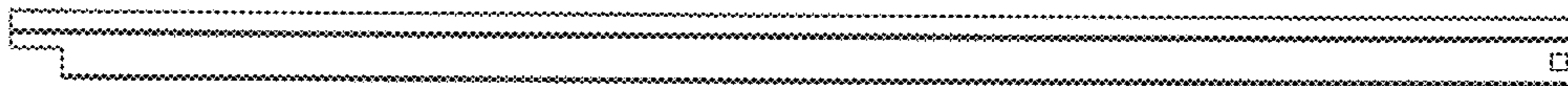


FIG. 6





Fig. 7

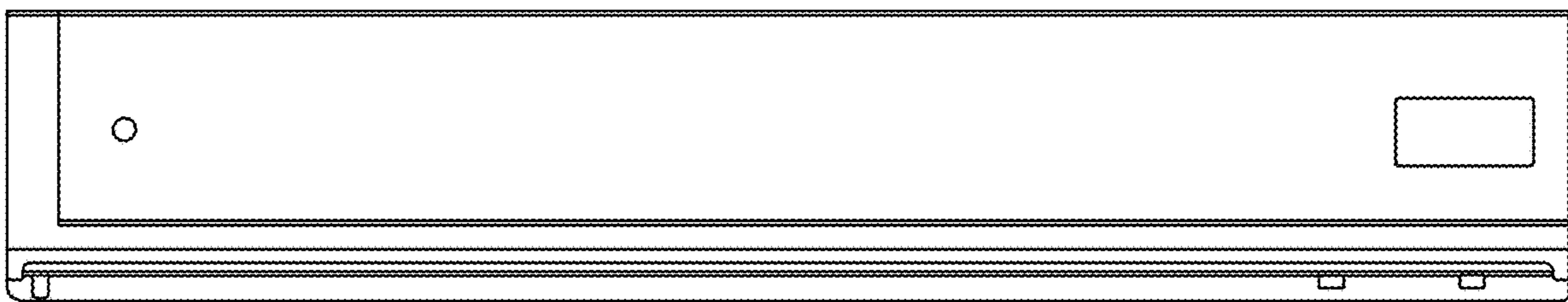


Fig. 8

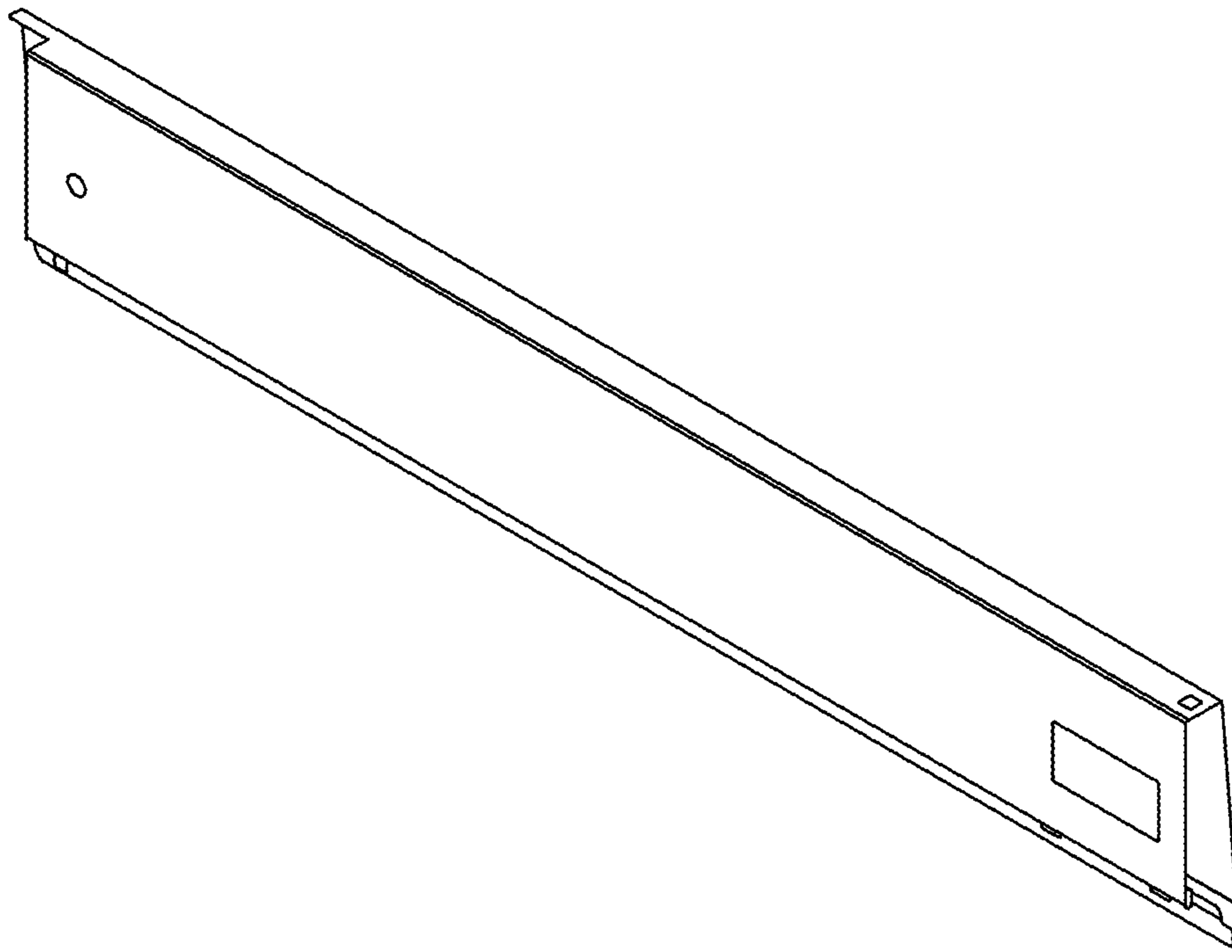


FIG. 9

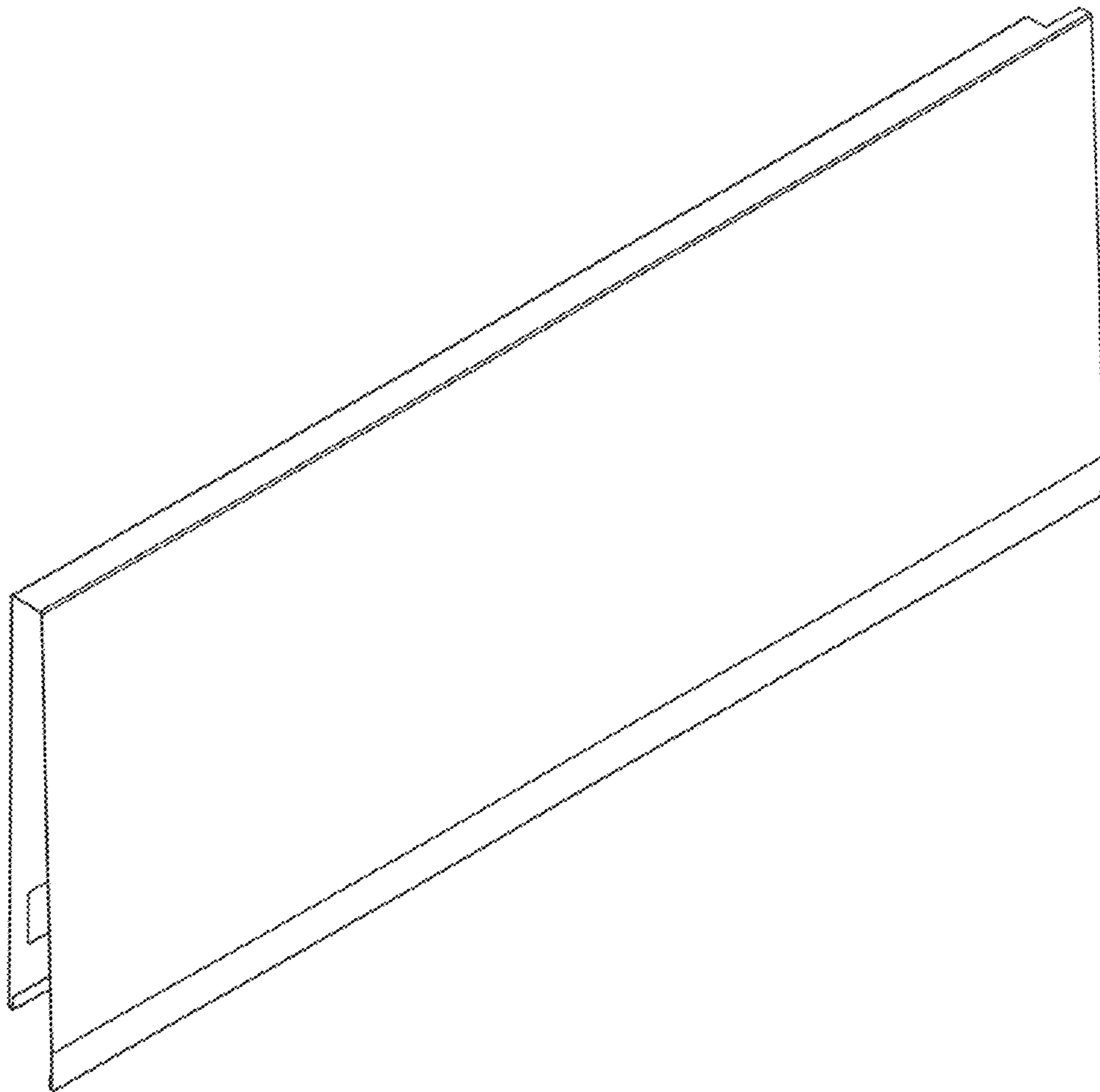


FIG. 10

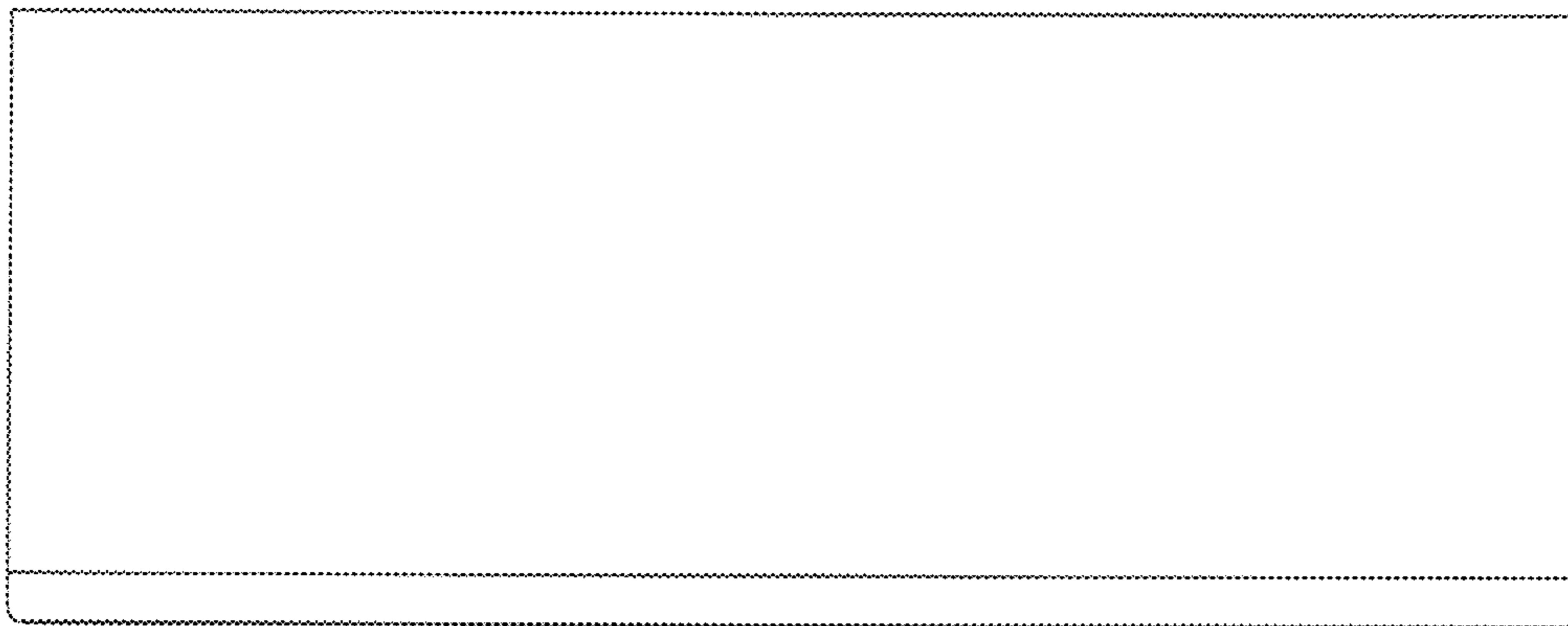


FIG. 11

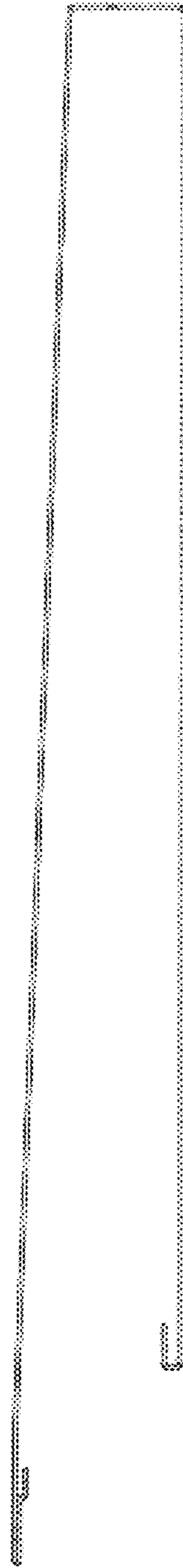


FIG. 12

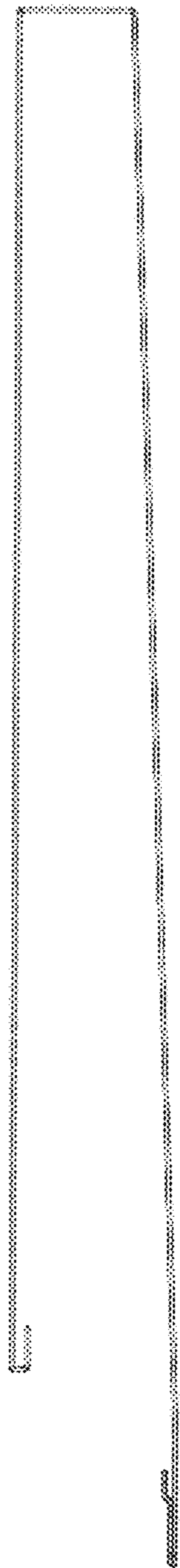


FIG. 13

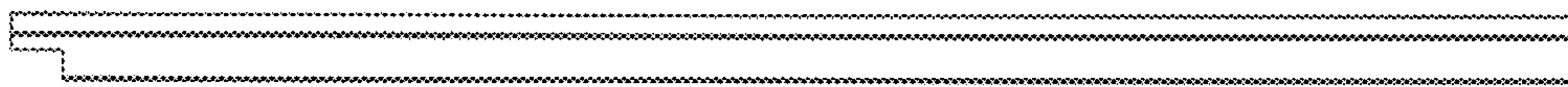


FIG. 14





FIG. 15

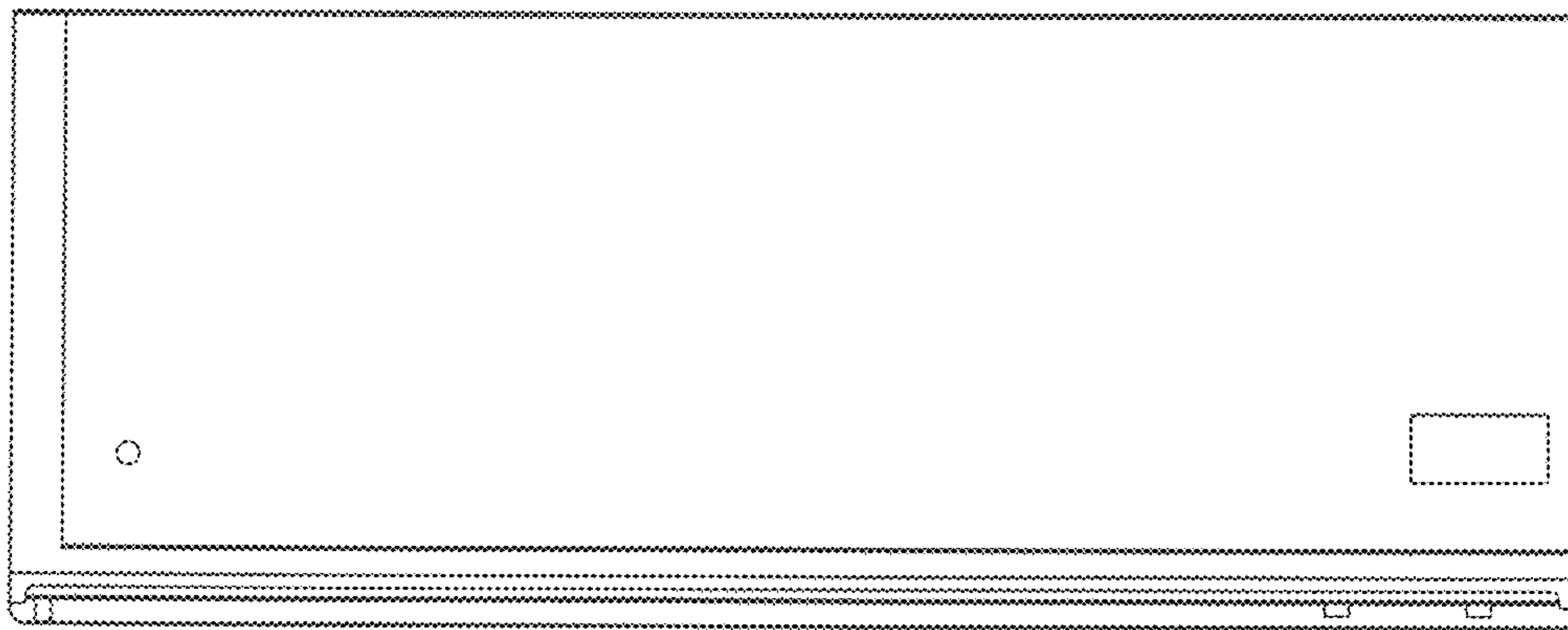


FIG. 16

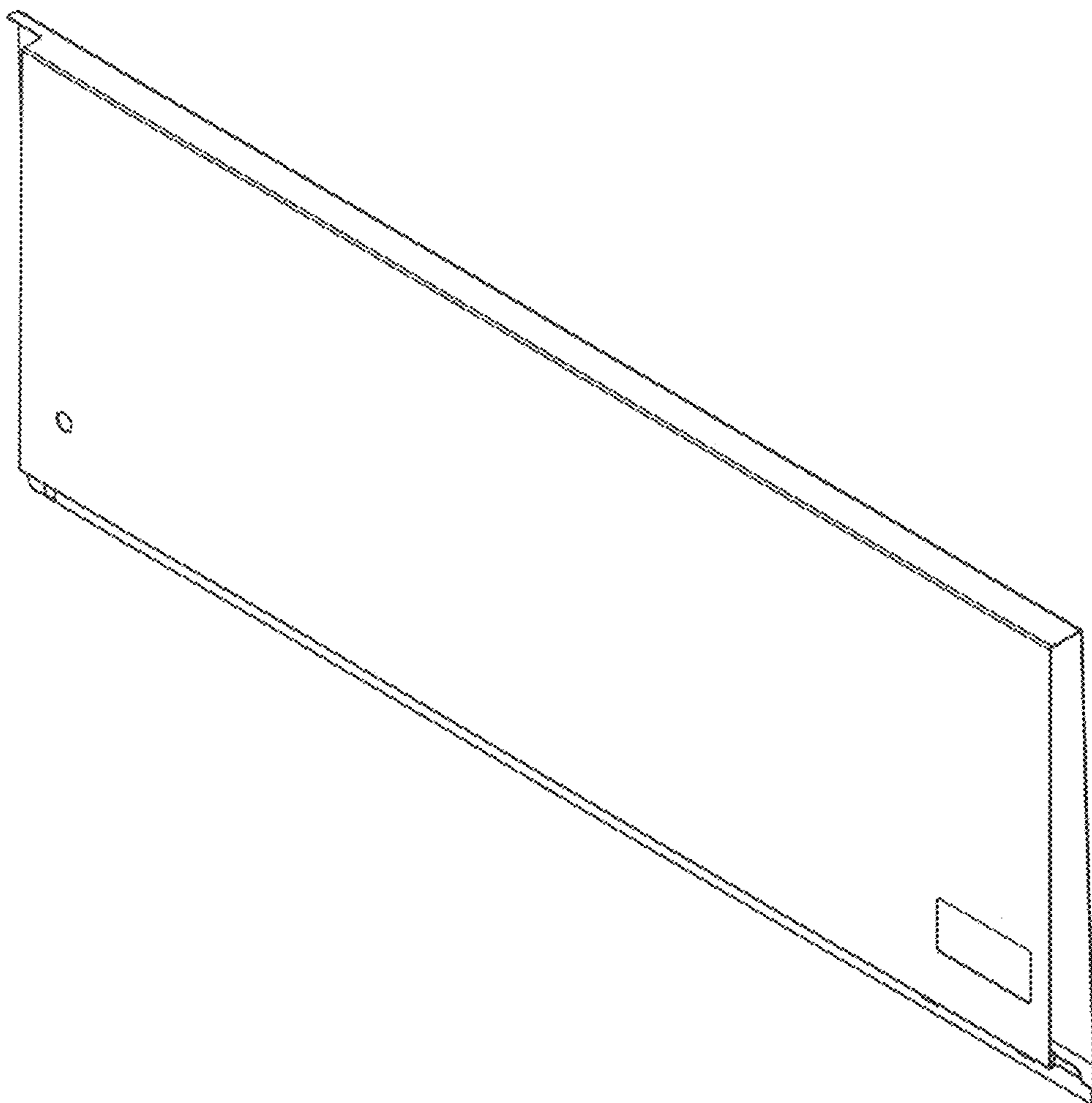


FIG. 17

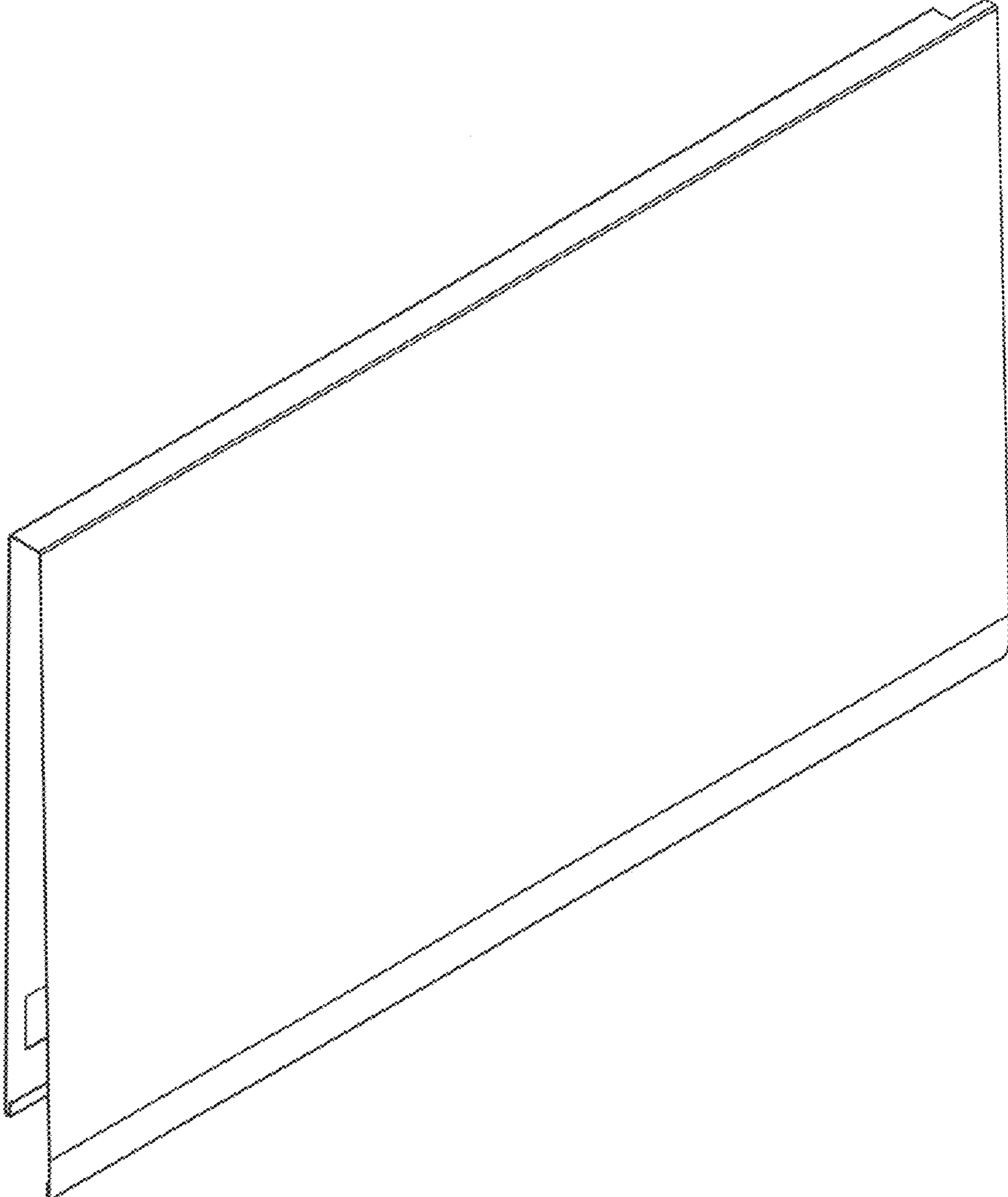


FIG. 18

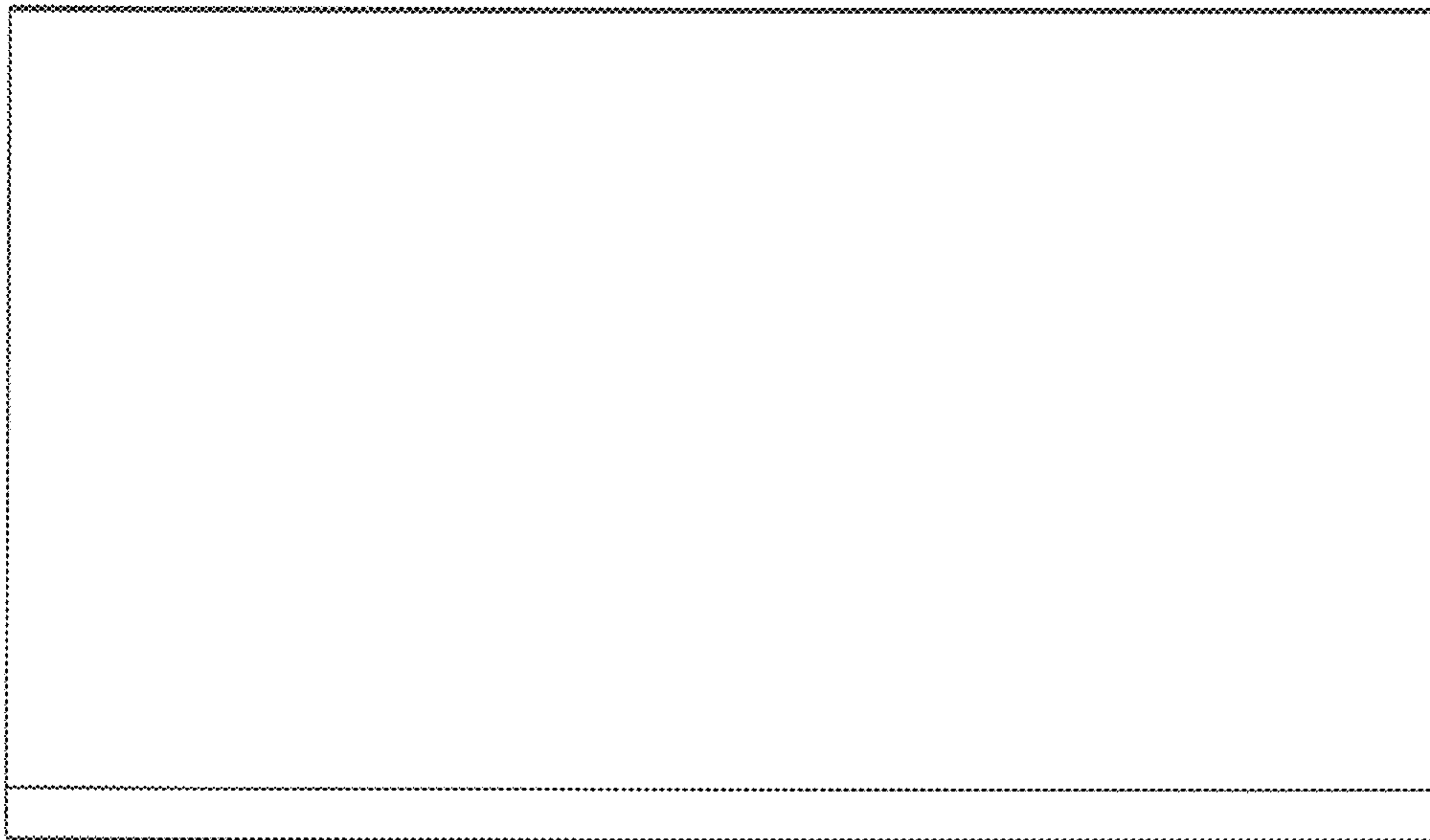


FIG. 19

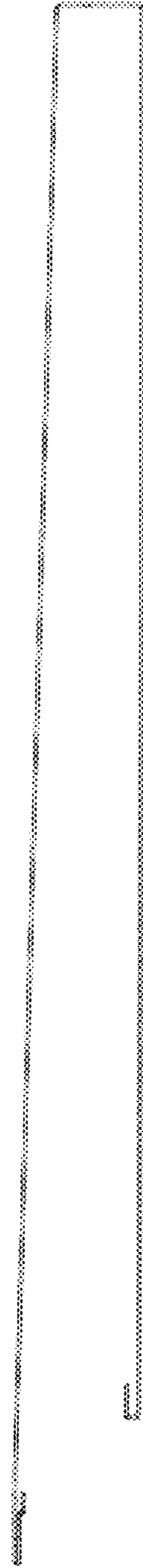


FIG. 20

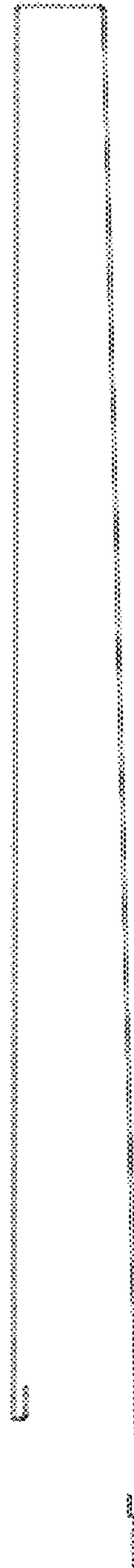


FIG. 21

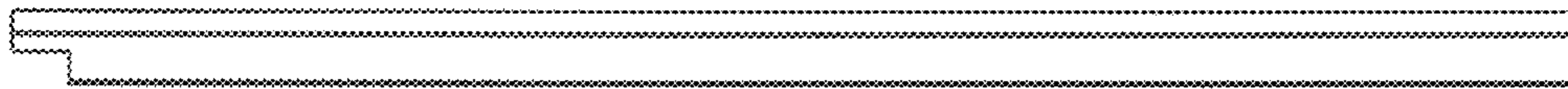


FIG. 22





FIG. 23

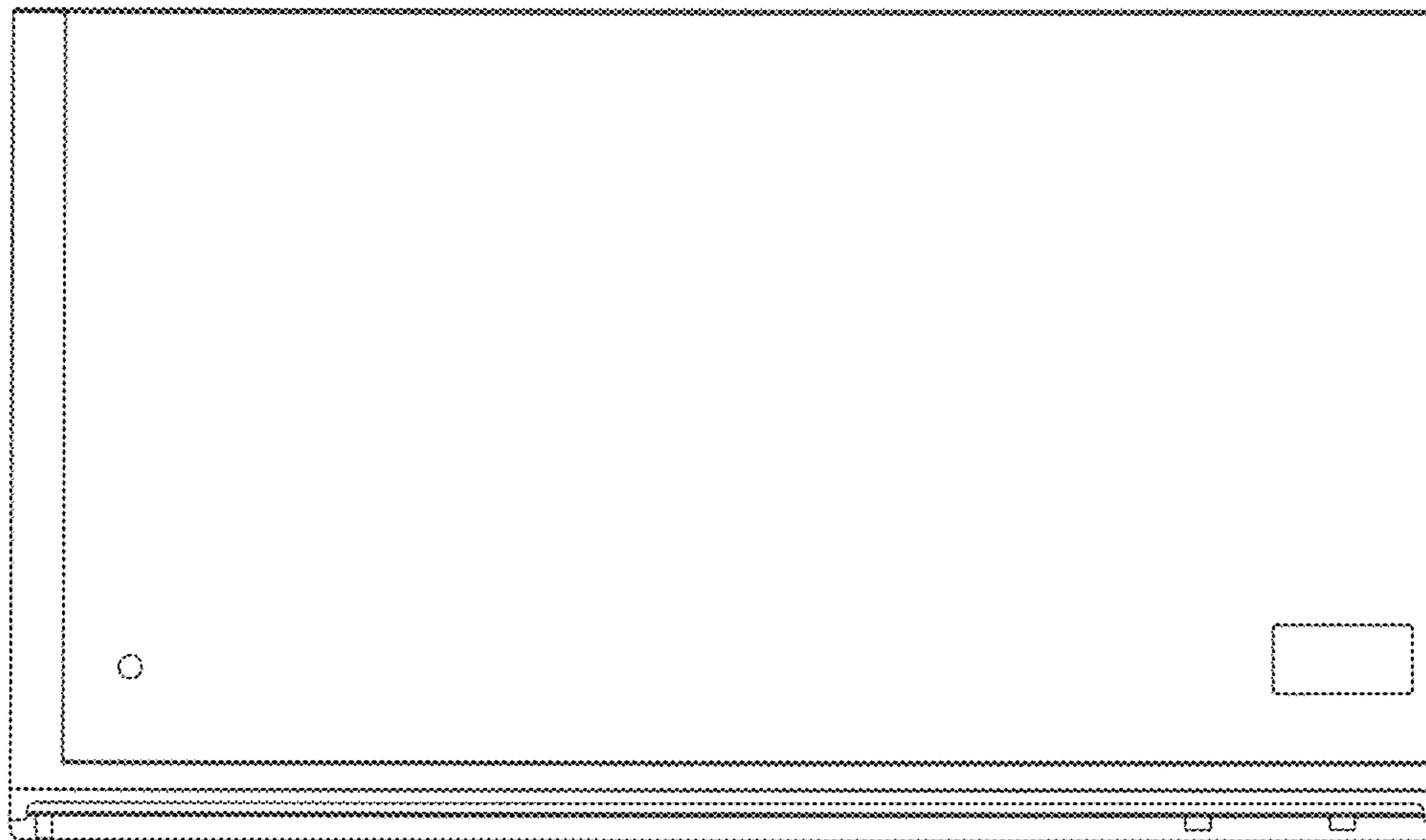


FIG. 24

