



US00D902631S

(12) **United States Design Patent** (10) **Patent No.:** **US D902,631 S**
Yin (45) **Date of Patent:** **** Nov. 24, 2020**

(54) **RACK FOR STORAGE**

(71) Applicant: **Shenzhen Orange Ant Technology Co., Ltd.**, Guangdong (CN)

(72) Inventor: **Wenwen Yin**, Shenzhen (CN)

(73) Assignee: **Shenzhen Orange Ant Technology Co., Ltd.**, Guangdong (CN)

(**) Term: **15 Years**

(21) Appl. No.: **29/741,920**

(22) Filed: **Jul. 16, 2020**

(51) **LOC (12) Cl.** **06-06**

(52) **U.S. Cl.**
USPC **D6/678.4**

(58) **Field of Classification Search**
USPC D6/672, 677, 677.1, 677.2, 677.5, 678, D6/678.1, 678.4, 680.2, 680.3, 682
CPC A47B 55/02; A47B 49/00; A47B 81/007; A47B 73/00; A47B 73/008; A47F 5/0018; A47F 5/0043; A47F 5/04; A47F 1/08; A47J 47/16; A47J 47/00; A47G 29/00; A47G 29/08; B25H 3/04
See application file for complete search history.

(56) **References Cited**

U.S. PATENT DOCUMENTS

D90,902 S * 10/1933 Weeks D6/677.2
D182,356 S * 3/1958 Cohen D6/677.2

D314,294 S * 2/1991 Axhamre D6/677.2
D316,345 S * 4/1991 Mo Yau Kee D6/676.2
D352,187 S * 11/1994 David D6/407
D524,573 S * 7/2006 Robinson D6/675.4
D527,205 S * 8/2006 Axhamre D6/677.2
D533,372 S * 12/2006 Glassenberg D6/678.4
D744,289 S * 12/2015 Tiemann D7/600.2
D768,442 S * 10/2016 Lee D7/600.2
D781,660 S * 3/2017 Chen D7/600.4
D791,519 S 7/2017 Jordan et al.
D811,136 S 2/2018 Nelson et al.
D873,622 S * 1/2020 Liang D7/600.4
2011/0253711 A1 * 10/2011 Hertaus A47F 5/05
220/4.27

* cited by examiner

Primary Examiner — Kelley A Donnelly
(74) *Attorney, Agent, or Firm* — ScienBiziP, P.C.

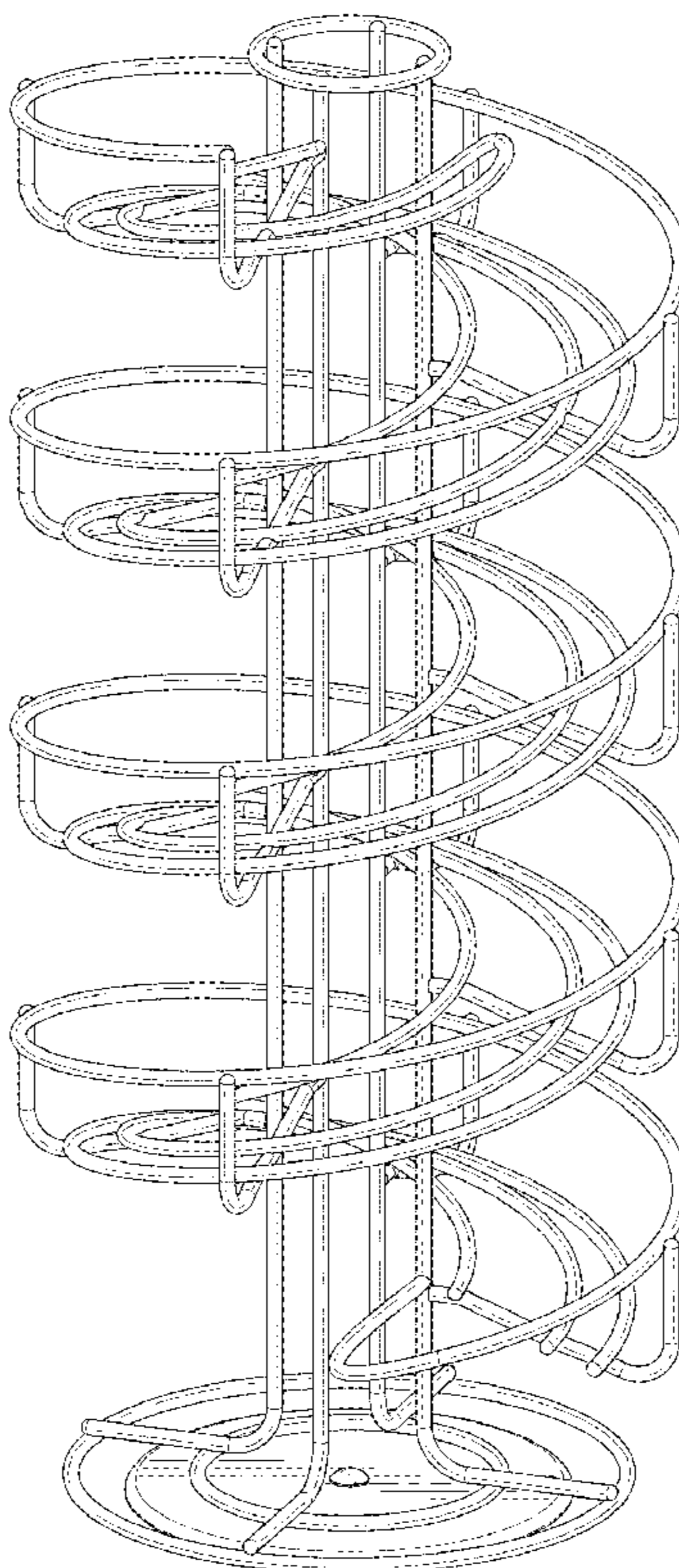
(57) **CLAIM**

The ornamental design for a rack for storage, as shown and described.

DESCRIPTION

FIG. 1 is a front perspective view of a rack for storage, showing my design.
FIG. 2 is a front elevation view thereof.
FIG. 3 is a rear elevation view thereof.
FIG. 4 is a left side elevation view thereof.
FIG. 5 is a right side elevation view thereof.
FIG. 6 is a top plan view thereof; and,
FIG. 7 is a bottom plan view thereof.

1 Claim, 7 Drawing Sheets



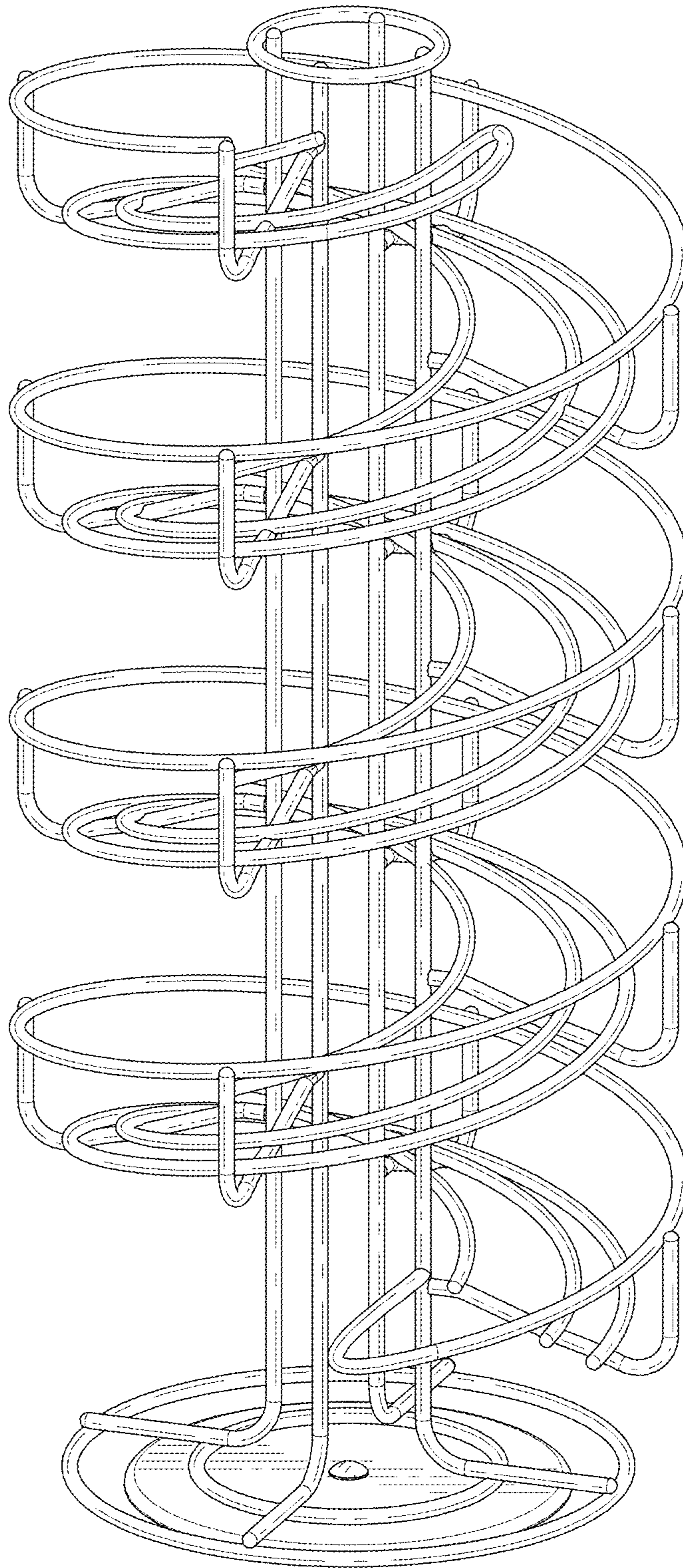


FIG.1

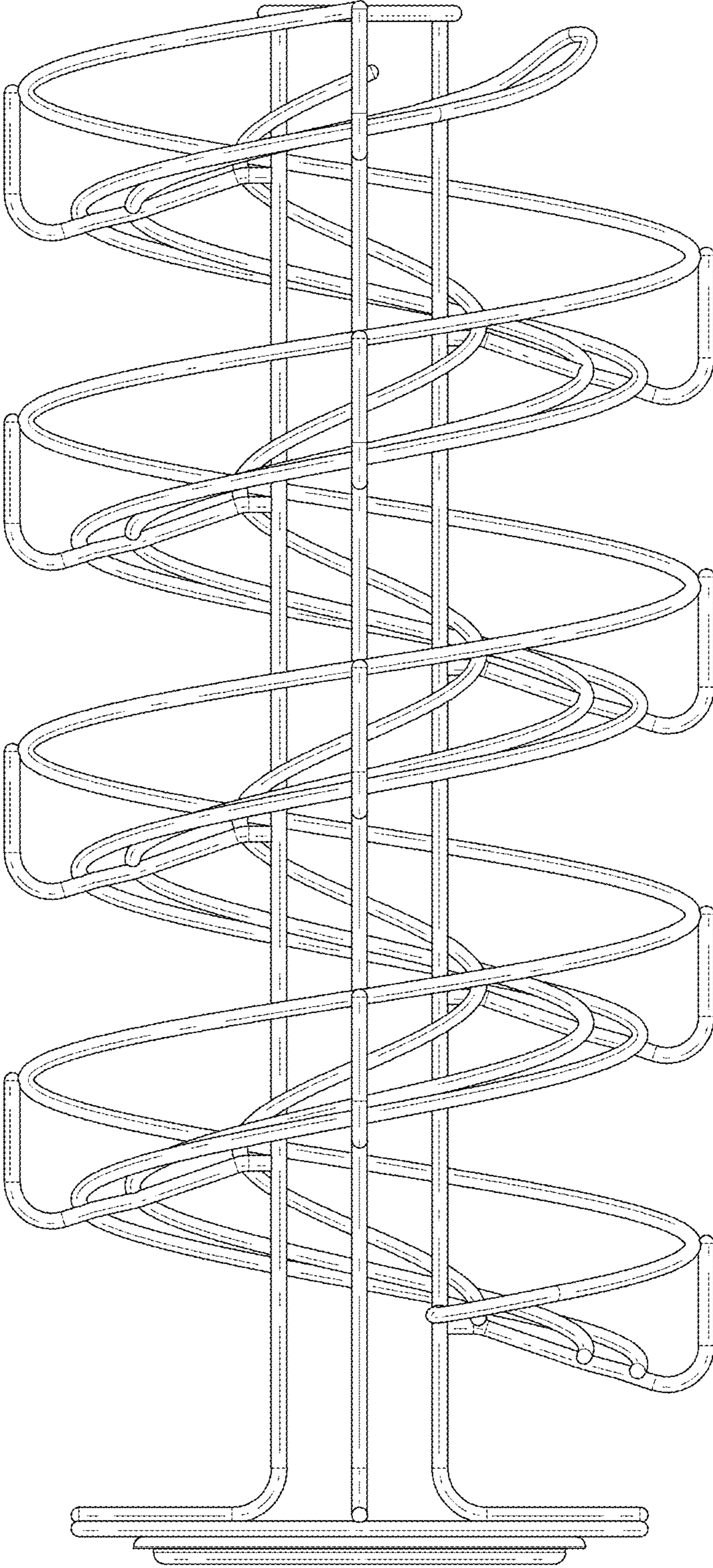


FIG.2

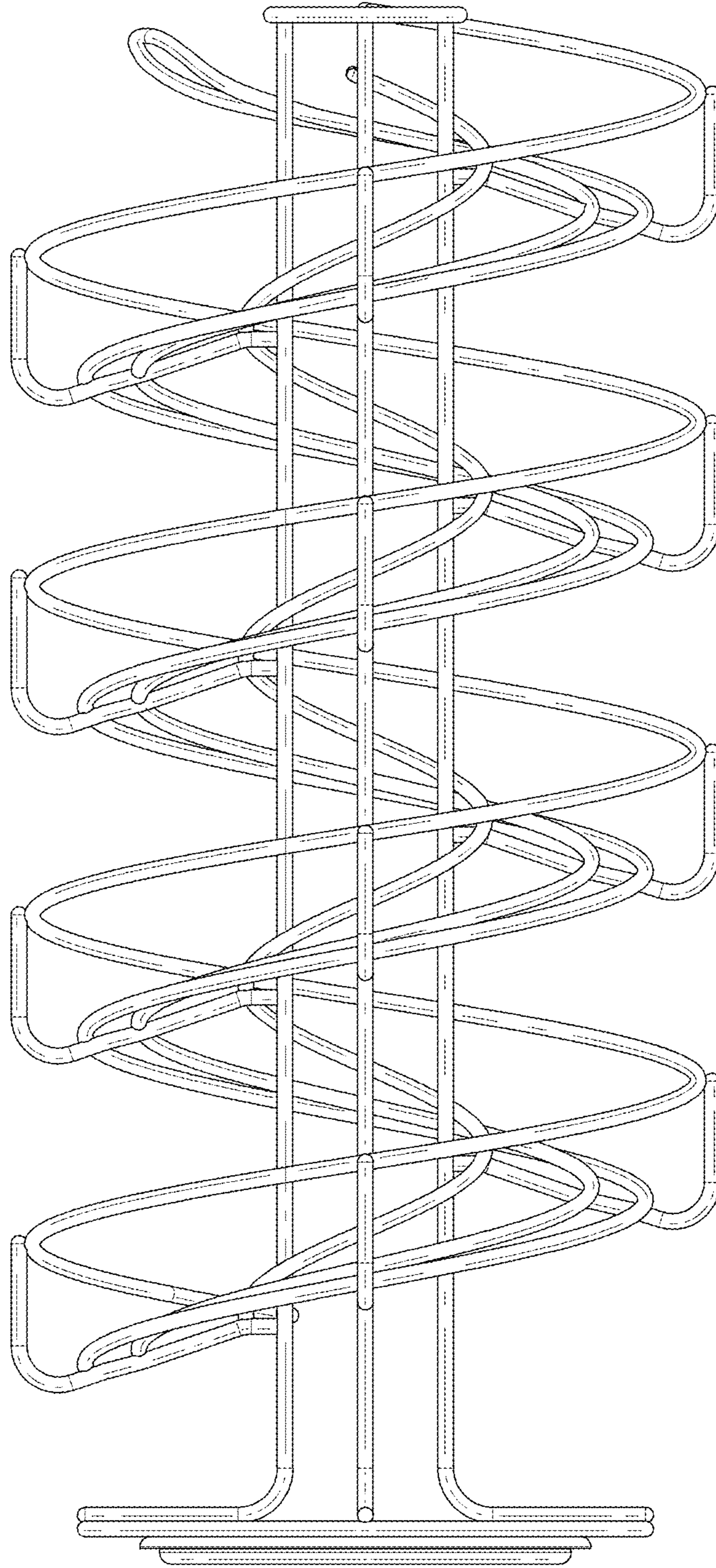


FIG.3

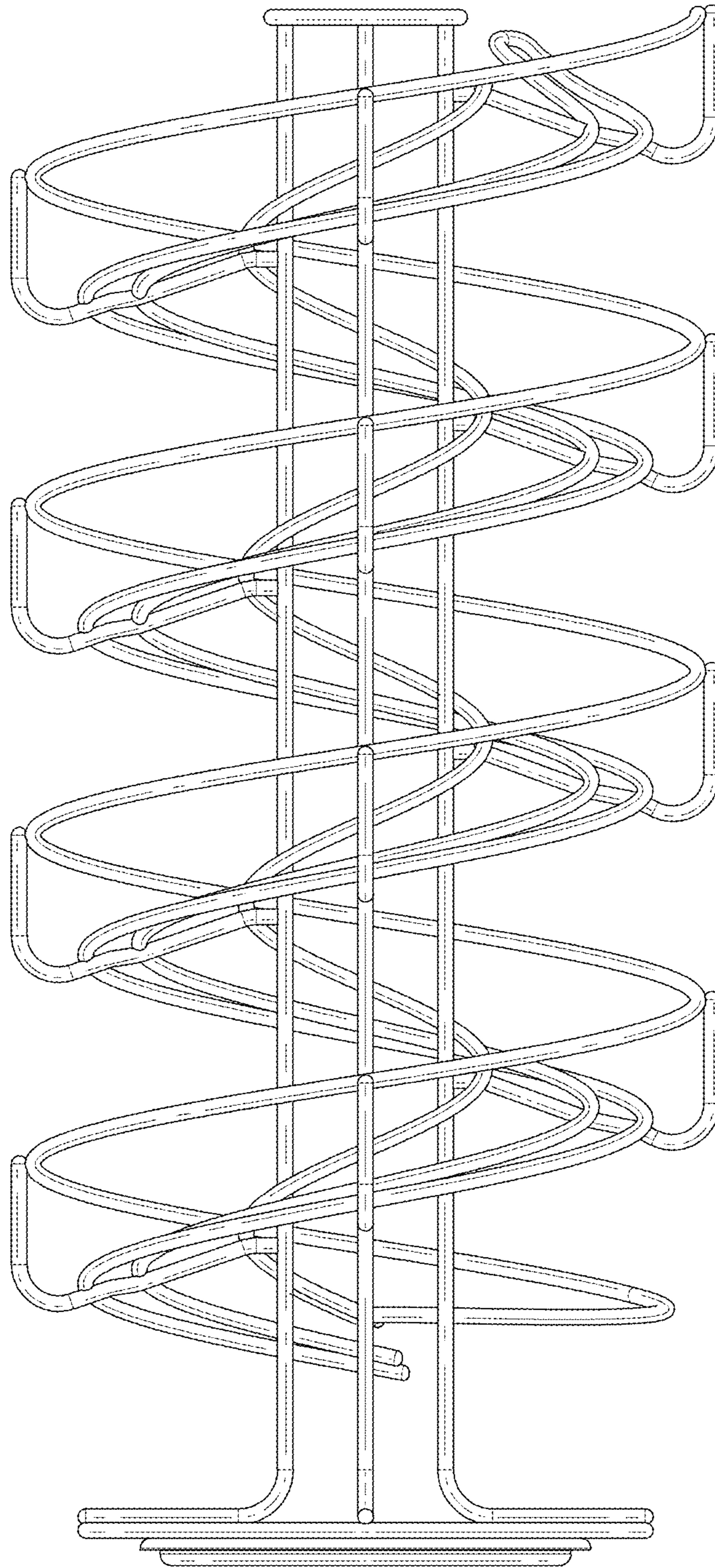


FIG.4

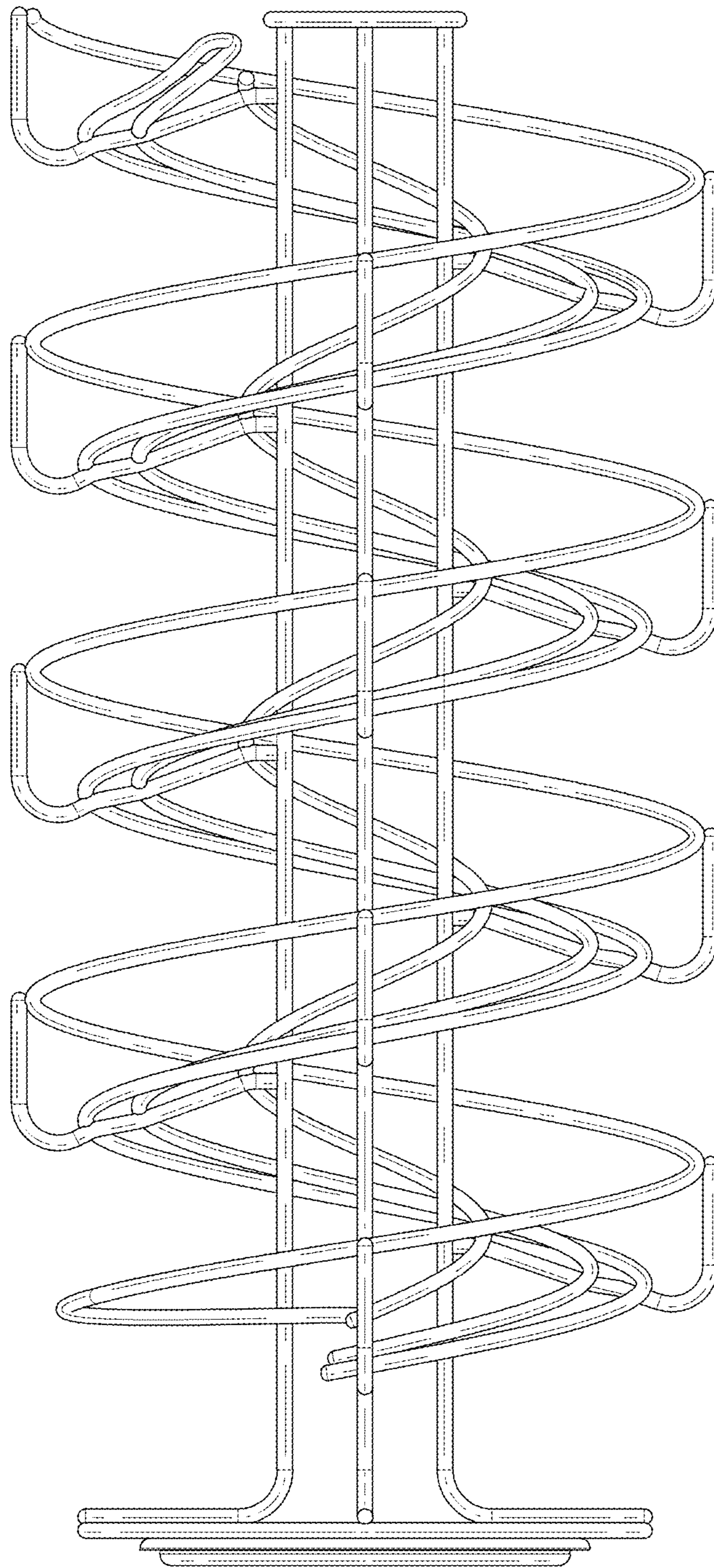


FIG.5

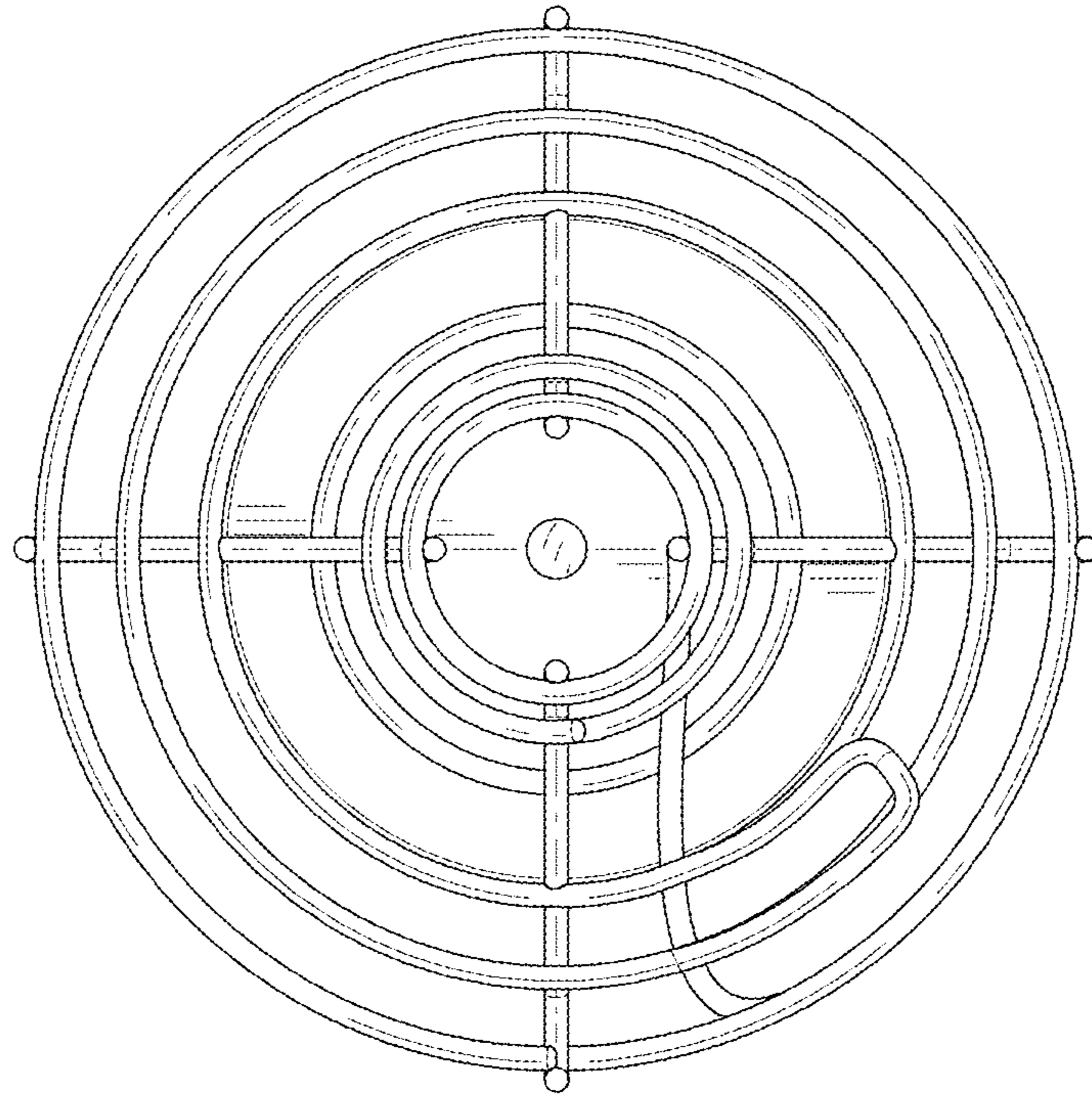


FIG.6

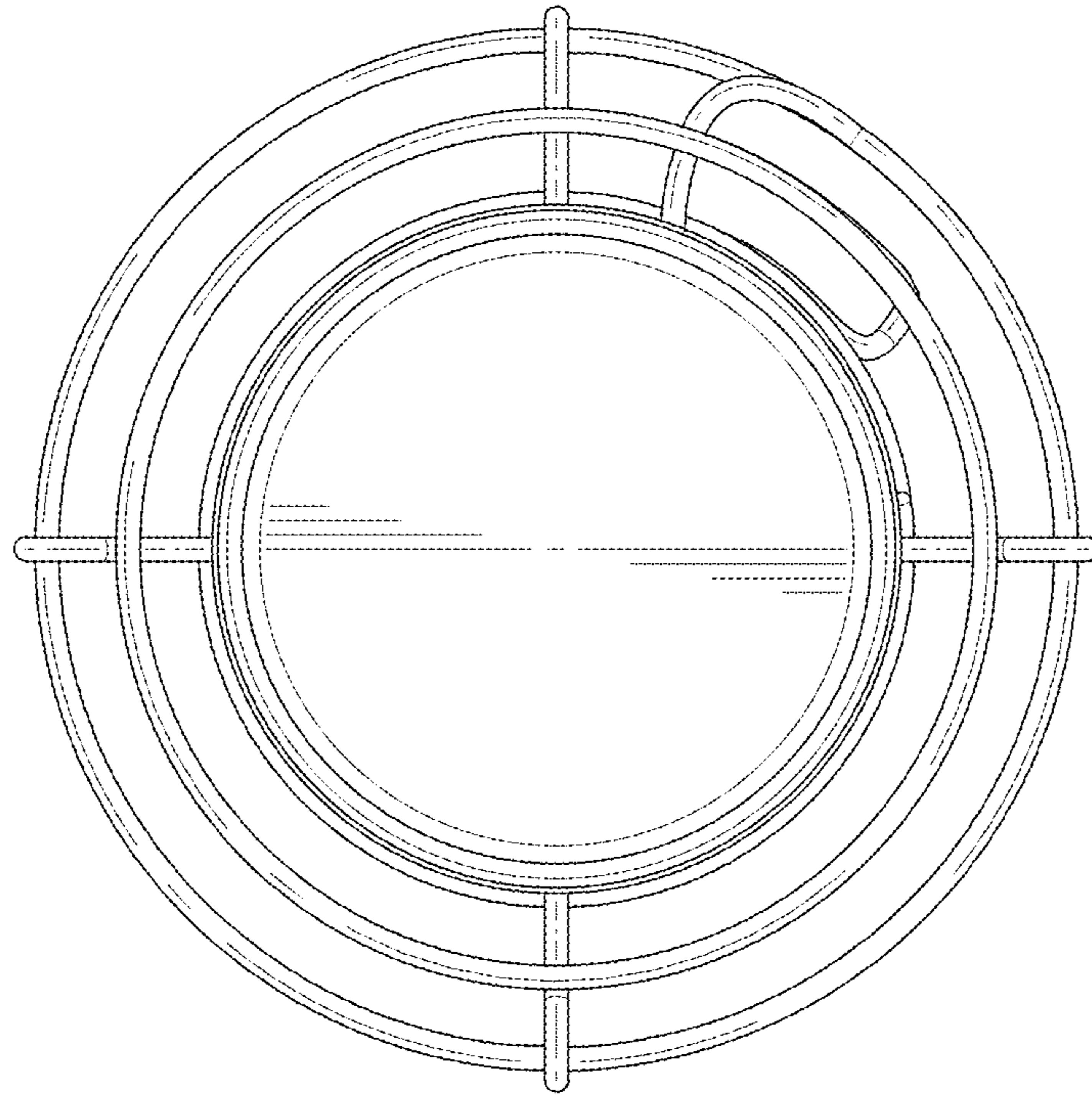


FIG.7