



US00D902627S

(12) **United States Design Patent** (10) **Patent No.:** **US D902,627 S**
Acharya et al. (45) **Date of Patent:** **** Nov. 24, 2020**

(54) **BLANKET**
(71) Applicant: **Purple Innovation, LLC**, Alpine, UT (US)
(72) Inventors: **Dhyey Y. Acharya**, Lehi, UT (US);
Brad Dowdle, South Jordan, UT (US);
Brian Collier, Provo, UT (US)

D385,453 S * 10/1997 Agopian 5/482
D538,095 S * 3/2007 Turner D6/603
D650,539 S * 12/2011 Caprarola D32/40
D724,865 S * 3/2015 Jensen D5/56
D728,275 S * 5/2015 Jensen D5/56
D728,276 S * 5/2015 Jensen D5/56
D728,277 S * 5/2015 Jensen D5/56

(Continued)

(73) Assignee: **Purple Innovation, LLC**, Lehi, UT (US)

(**) Term: **15 Years**

(21) Appl. No.: **29/661,680**

(22) Filed: **Aug. 29, 2018**

(51) **LOC (12) Cl.** **06-13**

(52) **U.S. Cl.**
USPC **D6/603**

(58) **Field of Classification Search**
USPC D6/595, 596, 601, 604, 605, 382, 603;
5/413 AM, 681, 710, 655.3, 945
CPC A47G 9/02; A47G 9/0207; A47G 9/0215;
A47G 9/0223; A47G 9/023; A47G
9/0238; A47G 9/0246; A47G 9/0253;
A47G 9/0261; A47G 9/06; A47G 9/062;
A47G 9/066; A47G 9/08; A47G 9/083;
A47G 9/086; A47G 9/04; A47G 9/0292;
A47G 9/00; A47G 9/10; A47G 9/1009;
A47G 9/1027; A47G 9/1045; A47G
9/1063; A47G 9/1072; A47G 9/1081;
A47G 2009/0276; A47G 2009/001; A47G
2009/002; A47G 2009/003; A47G
2009/005

See application file for complete search history.

(56) **References Cited**

U.S. PATENT DOCUMENTS

D110,024 S * 6/1938 Hauck D6/603
D115,278 S * 6/1939 Steinweg D6/603
D377,433 S * 1/1997 Funk 5/499

OTHER PUBLICATIONS

Original Puffy Blanket, reviewed Aug. 3, 2019, [online], [site visited Mar. 16, 2020]. Available from Internet, <URL: https://www.rumpl.com/collections/printed-blankets/products/original-puffy-sierra-spring-fade> (Year: 2019).*

(Continued)

Primary Examiner — Sanjeev Paul

(74) *Attorney, Agent, or Firm* — Durham Jones & Pinegar, P.C., Intellectual Property Law Group

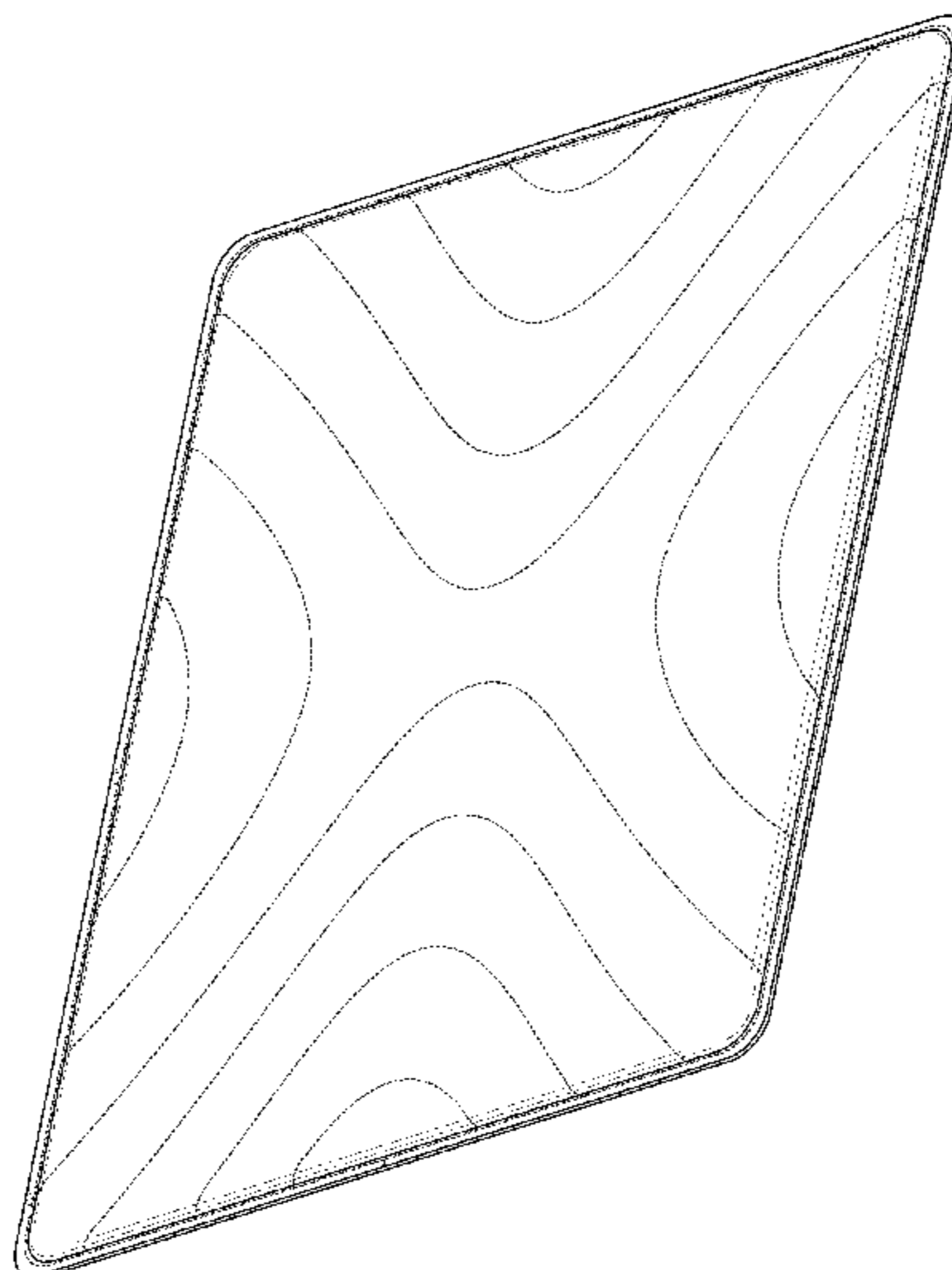
(57) **CLAIM**

The ornamental design for a blanket, as shown and described.

DESCRIPTION

FIG. 1 is a top perspective view of my new design for a blanket;
FIG. 2 is a top plan view of the blanket shown in FIG. 1;
FIG. 3 is a bottom plan view of the blanket shown in FIG. 1;
FIG. 4 is first end edge view of the blanket shown in FIG. 1;
FIG. 5 is a second end edge view of the blanket shown in FIG. 1;
FIG. 6 is a first side edge view of the blanket shown in FIG. 1; and,
FIG. 7 is a second side edge view of the blanket shown in FIG. 1.
Broken lines represent stitching, which forms part of the claimed design.

1 Claim, 4 Drawing Sheets



(56)

References Cited

U.S. PATENT DOCUMENTS

D733,463 S * 7/2015 Ruffin D6/603
D738,138 S * 9/2015 Jackson D6/610
D811,125 S * 2/2018 Thornam D6/596
D821,782 S * 7/2018 Turlick D6/603
D838,515 S * 1/2019 Lowchareonkul D6/603
D856,030 S * 8/2019 Bogardus D6/603
D860,684 S * 9/2019 Fowler D6/603
D862,118 S * 10/2019 Rogers D6/603
D862,119 S * 10/2019 Rogers D6/603
2019/0017200 A1 * 1/2019 Alletto, Jr. B32B 27/12
2019/0090666 A1 * 3/2019 Bishop A47G 9/0207
2019/0290032 A1 * 9/2019 Hill A47G 9/086

OTHER PUBLICATIONS

ALPS Mountaineering Wavelength Blanket, reviewed Feb. 23, 2018, [online], [site visited Mar. 16, 2020]. Available from Internet, <URL: https://www.amazon.com/ALPS-Mountaineering-Wavelength-Blanket-Grey/dp/B074FK35FL/ref=cm_cr_arp_d_product_top?ie=UTF8> (Year: 2018).*

* cited by examiner

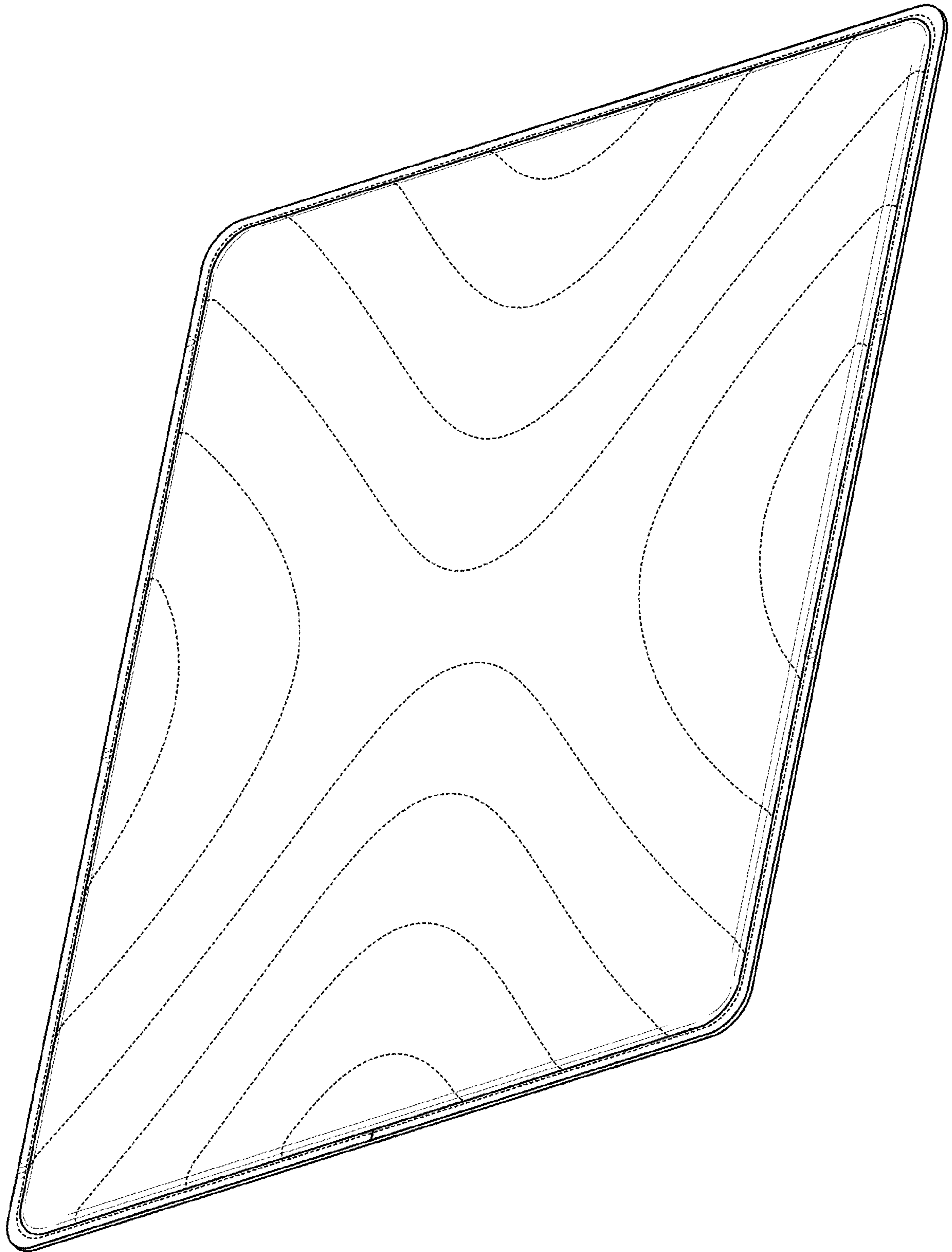


FIG. 1

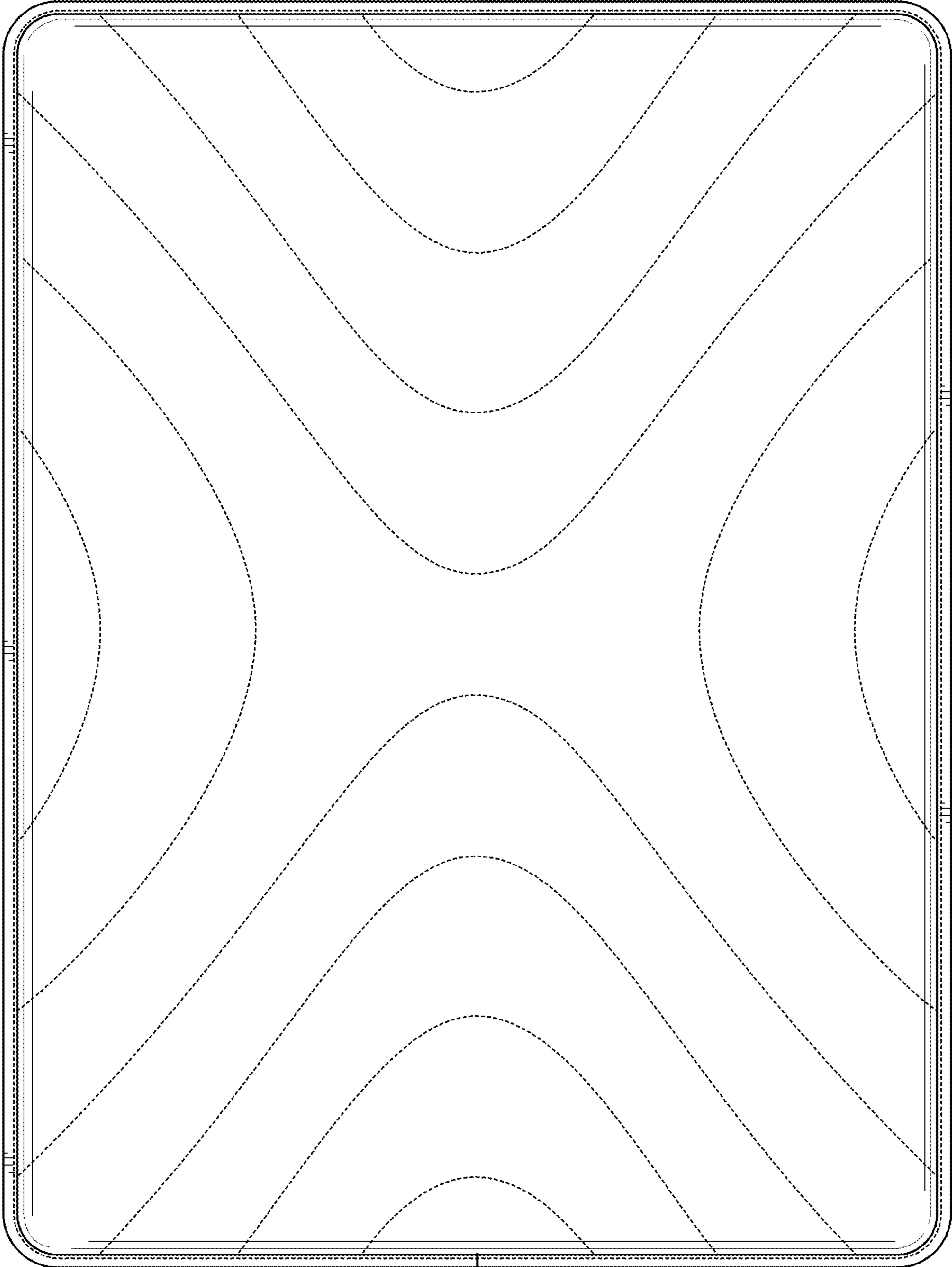


FIG. 2

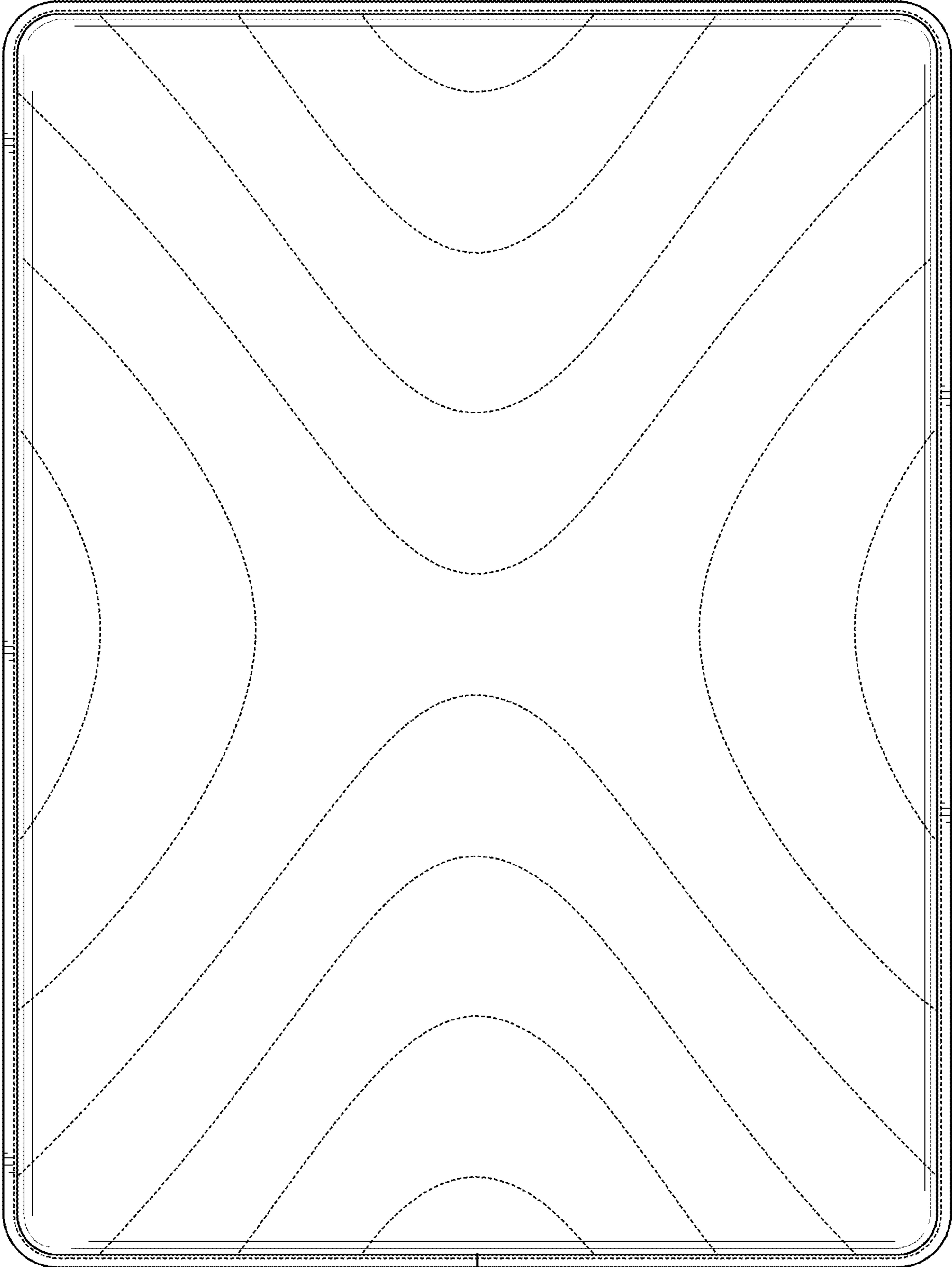


FIG. 3



FIG. 4



FIG. 5



FIG. 6



FIG. 7