



US00D902625S

(12) **United States Design Patent** (10) **Patent No.:** **US D902,625 S**
Ghiorghie (45) **Date of Patent:** **** Nov. 24, 2020**

(54) **HOLDER**

- (71) Applicant: **InterDesign, Inc.**, Solon, OH (US)
- (72) Inventor: **Radu Alexandru Ghiorghie**, Copley, OH (US)
- (73) Assignee: **InterDesign, Inc.**, Solon, OH (US)
- (**) Term: **15 Years**
- (21) Appl. No.: **29/733,311**
- (22) Filed: **Apr. 30, 2020**

Related U.S. Application Data

- (60) Division of application No. 29/712,033, filed on Nov. 5, 2019, now Pat. No. Des. 893,874, which is a continuation of application No. 29/656,713, filed on Jul. 16, 2018, now Pat. No. Des. 878,050, which is a continuation of application No. 29/614,789, filed on Aug. 23, 2017, now Pat. No. Des. 826,061, which is a continuation of application No. 29/551,071, filed on Jan. 11, 2016, now Pat. No. Des. 799,219, which is a continuation of application No. 29/503,223, filed on Sep. 24, 2014, now Pat. No. Des. 750,443, which is a continuation of application No. 29/480,138, filed on Jan. 23, 2014, now abandoned, which is a continuation of application No. 29/444,254, filed on Jan. 29, 2013, now Pat. No. Des. 698,612.
- (51) **LOC (12) Cl.** **06-04**
- (52) **U.S. Cl.**
USPC **D6/566; D32/55**
- (58) **Field of Classification Search**
USPC D6/566, 525, 524, 534, 540, 567, 574;
D3/201, 304-307, 314, 315, 901;
211/13.1, 74, 71.01, 86.01, 75, 88.01,
211/90.01, 90.03, 106, 119, 126.1, 133.5,
211/181.1, 134; D32/55, 276, 3
CPC A47K 17/00; A47K 3/281; B23P 17/04;
A47B 57/265; A47B 57/565; A47B 57/26
See application file for complete search history.

(56) **References Cited**

U.S. PATENT DOCUMENTS

D449,480 S *	10/2001	Snell	D6/525
D449,481 S *	10/2001	Snell	D6/566
D449,752 S *	10/2001	Snell	D6/537
D450,213 S *	11/2001	Snell	D6/566
D559,024 S *	1/2008	Tau	D6/566
D563,708 S *	3/2008	Snell	D6/566
D584,056 S *	1/2009	Ghiorghie	D3/304
D637,850 S *	5/2011	Ghiorghie	D6/566
D757,460 S *	5/2016	Goodman	D6/566
D762,397 S *	8/2016	Goodman	D6/566
D785,368 S *	5/2017	Goodman	D6/566
D863,816 S *	10/2019	Tuang	D6/566
D863,817 S *	10/2019	Chien	D6/566

* cited by examiner

Primary Examiner — Nathan M Johnston

(74) *Attorney, Agent, or Firm* — Calfee Halter & Griswold LLP

(57) **CLAIM**

I claim the ornamental design for a holder, as shown and described.

DESCRIPTION

FIG. 1 is a front/right/top perspective view of a holder showing our new design;
 FIG. 2 is a rear/left/bottom perspective view thereof;
 FIG. 3 is a front elevational view thereof;
 FIG. 4 is a rear elevational view thereof;
 FIG. 5 is a right side elevational view thereof;
 FIG. 6 is a left side elevational view thereof;
 FIG. 7 is a top plan view thereof; and,
 FIG. 8 is a bottom plan view thereof.
 The broken lines show portions of the holder that form no part of the claimed design.

1 Claim, 5 Drawing Sheets

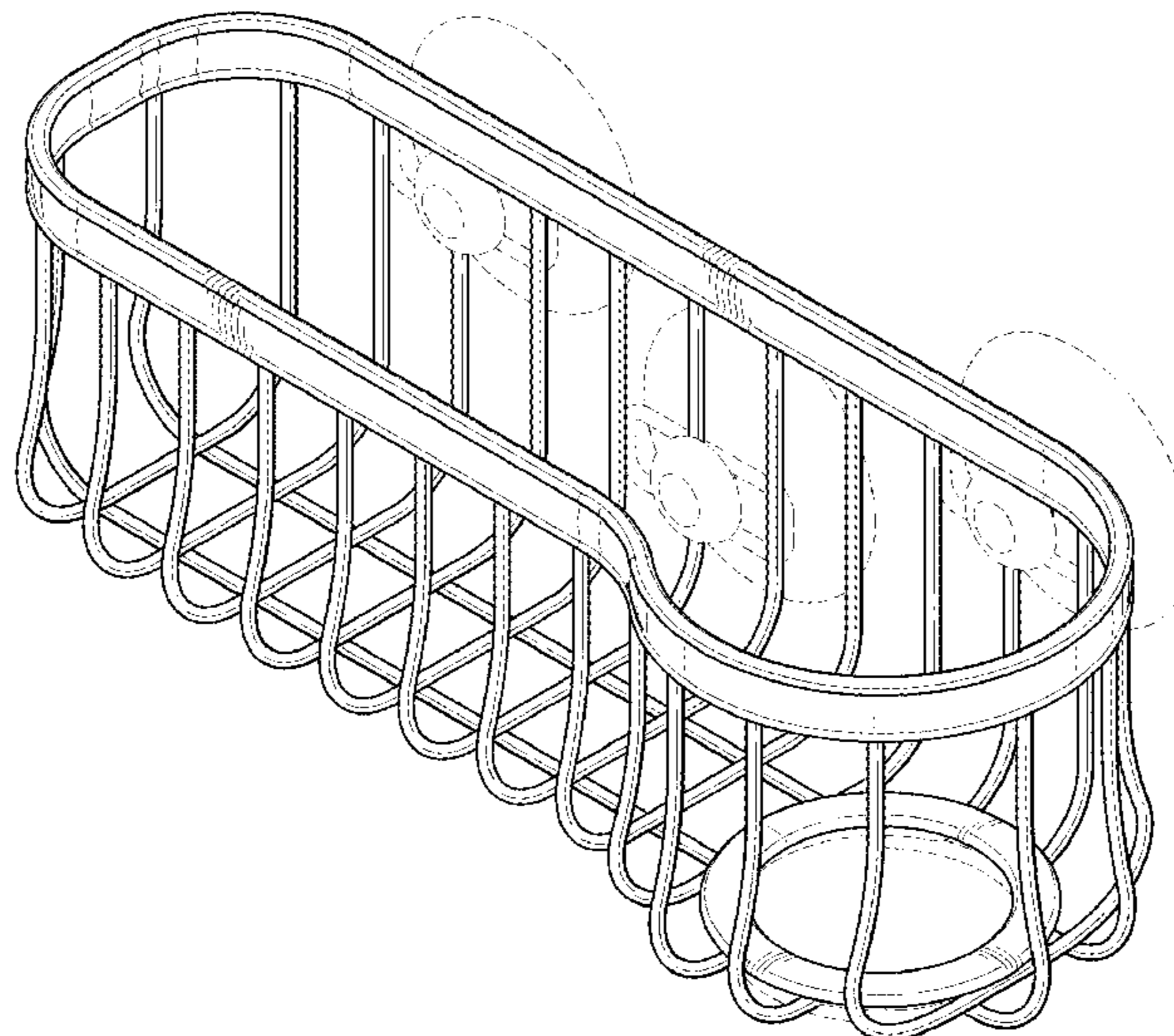


FIG. 1

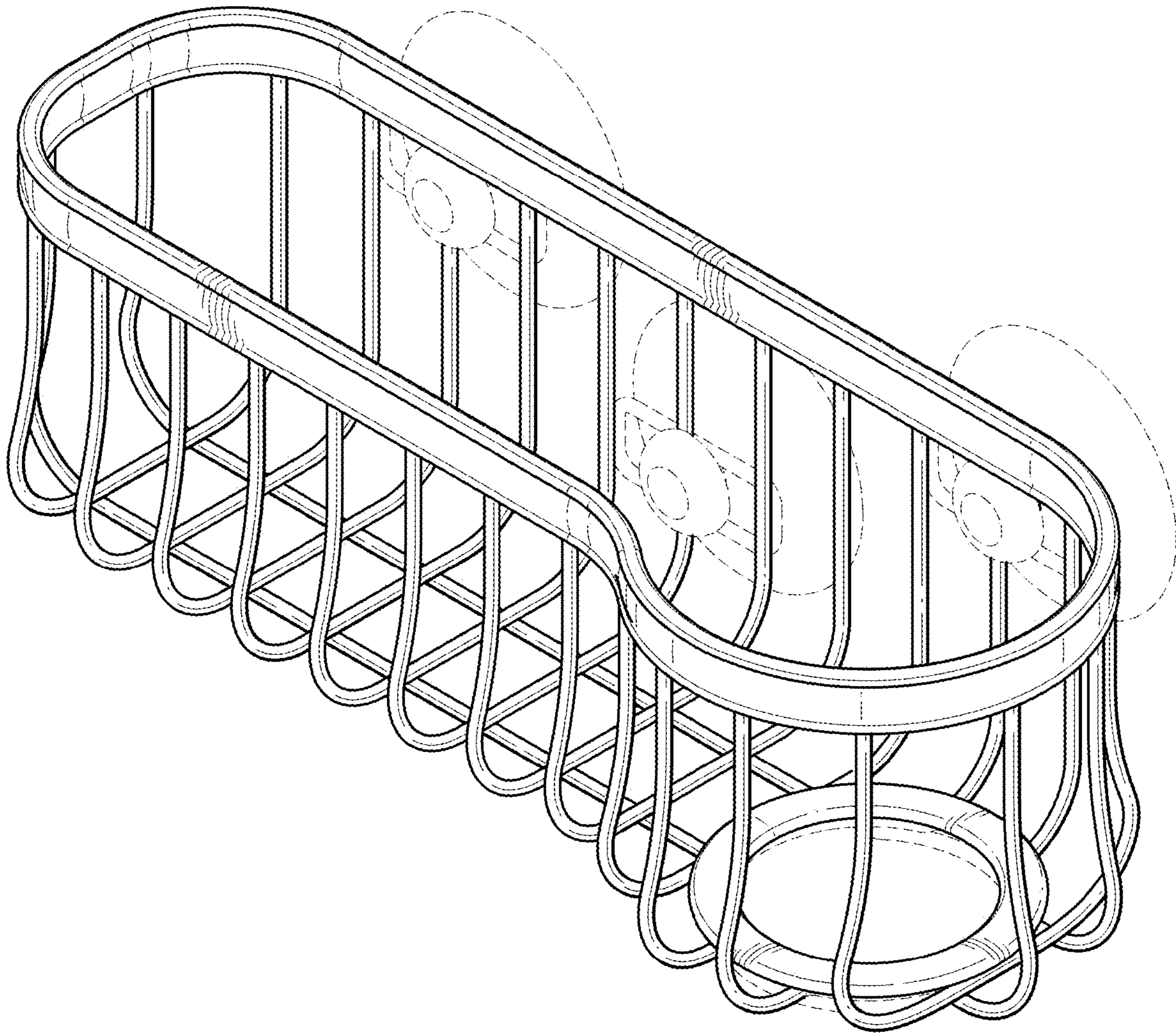


FIG. 2

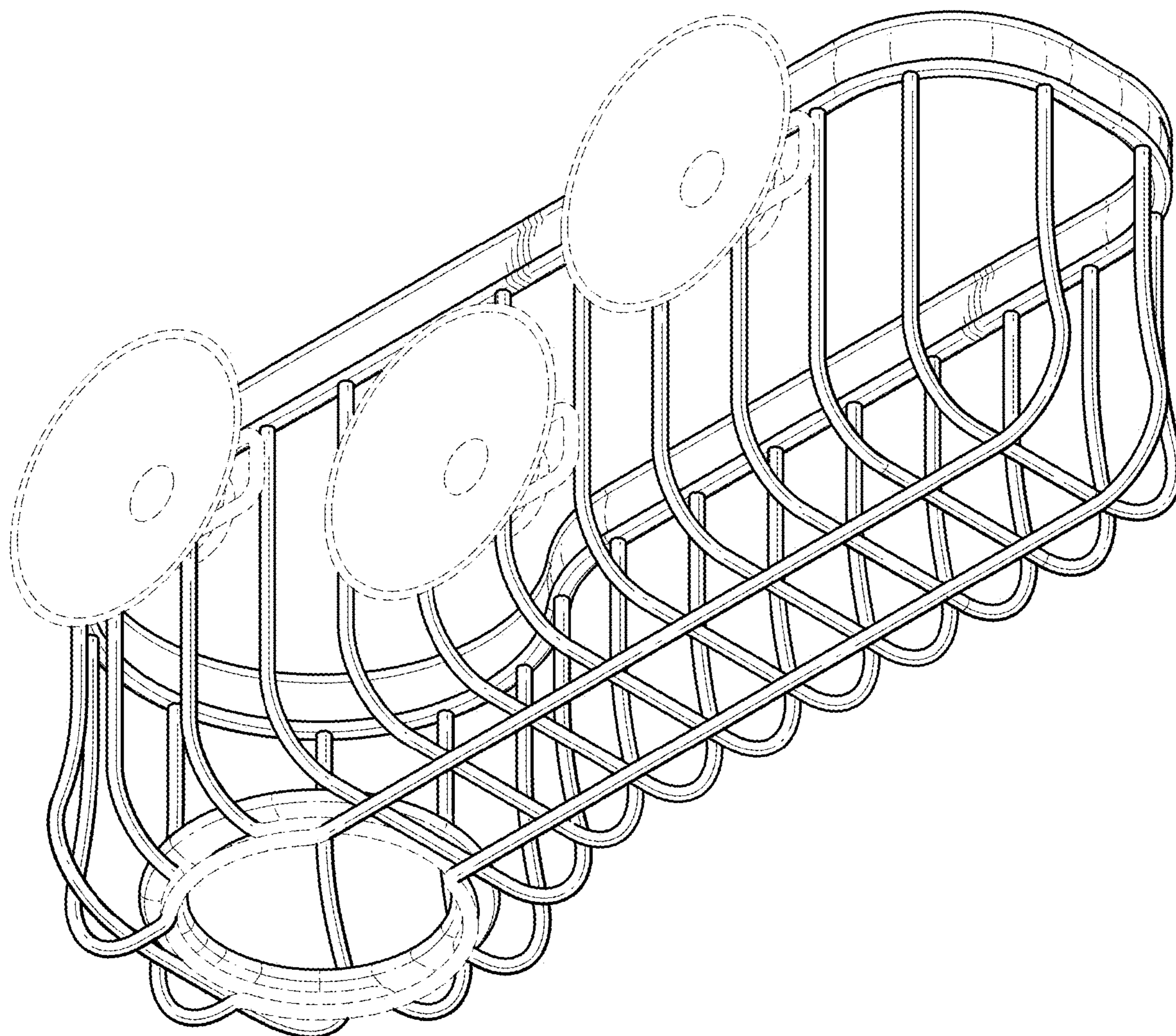


FIG. 3

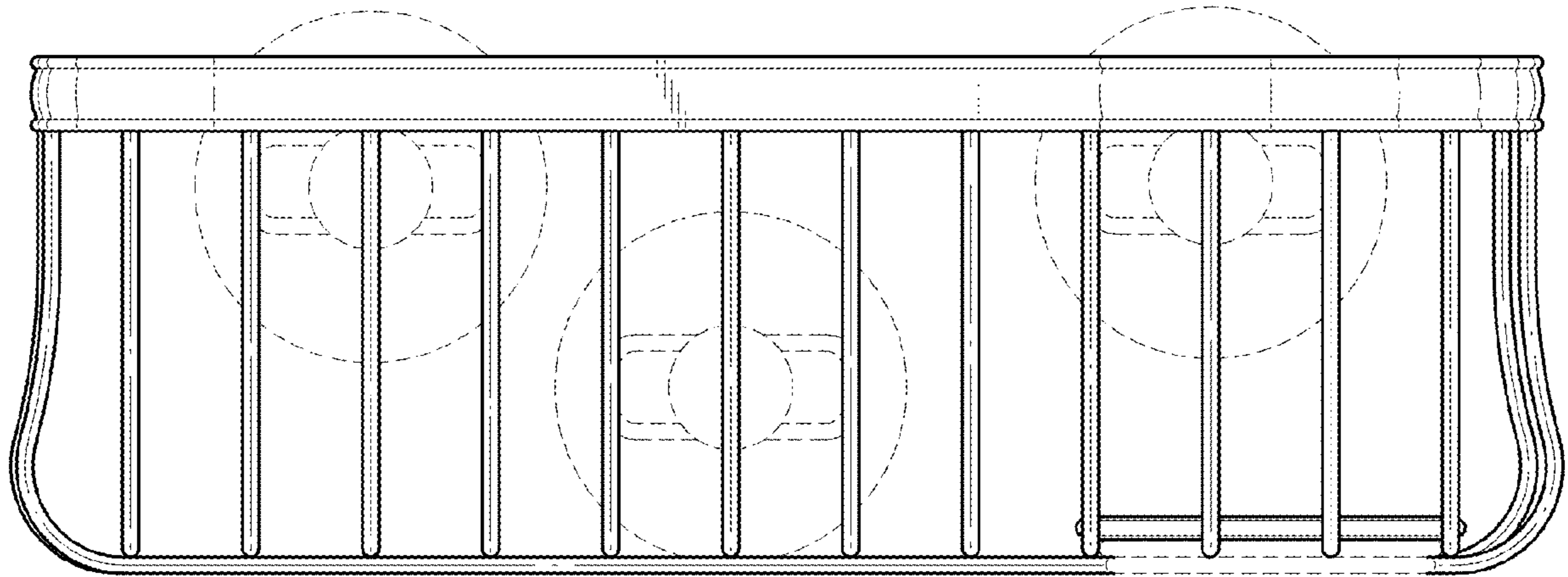


FIG. 4

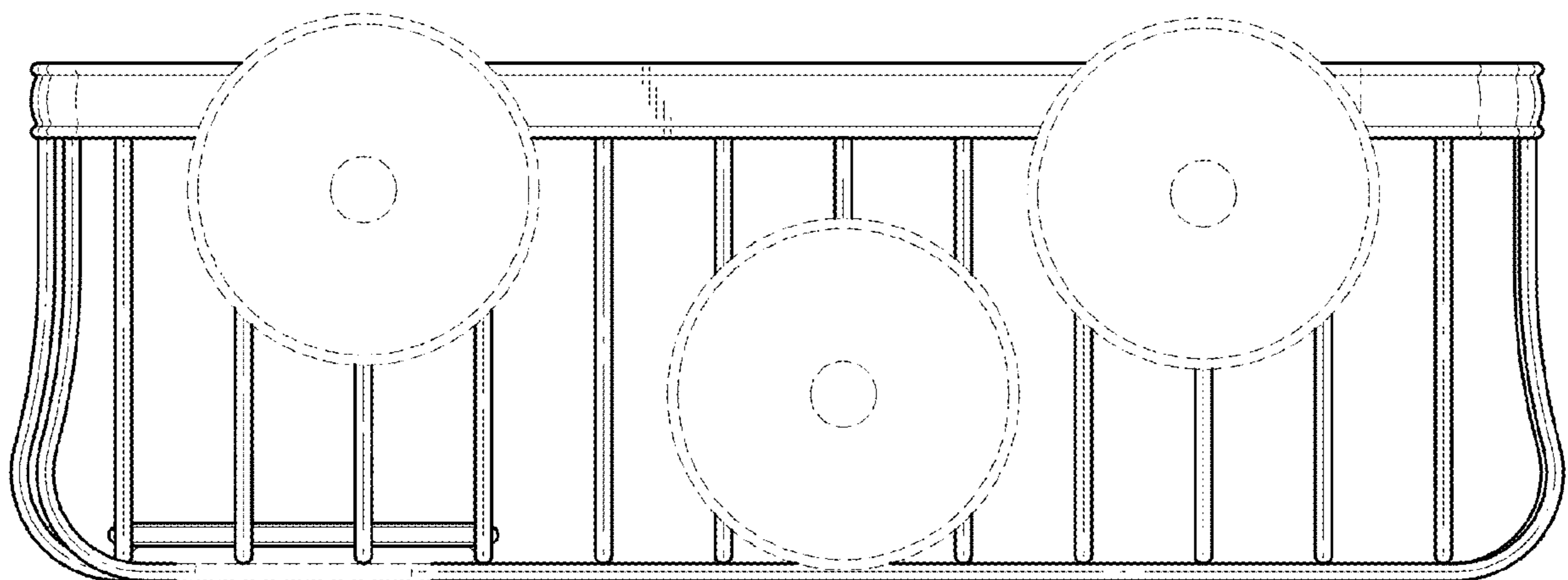


FIG. 5

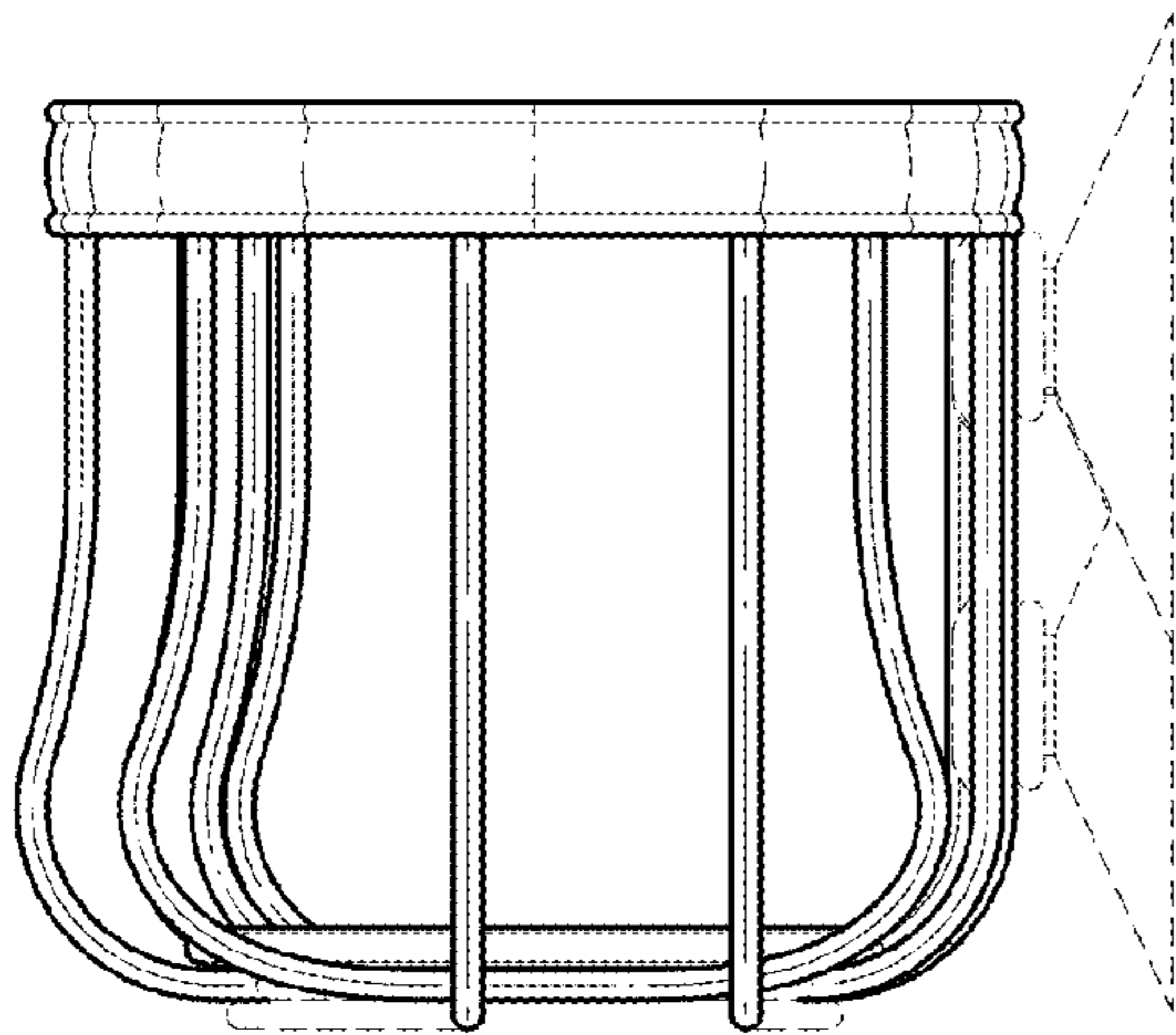


FIG. 6

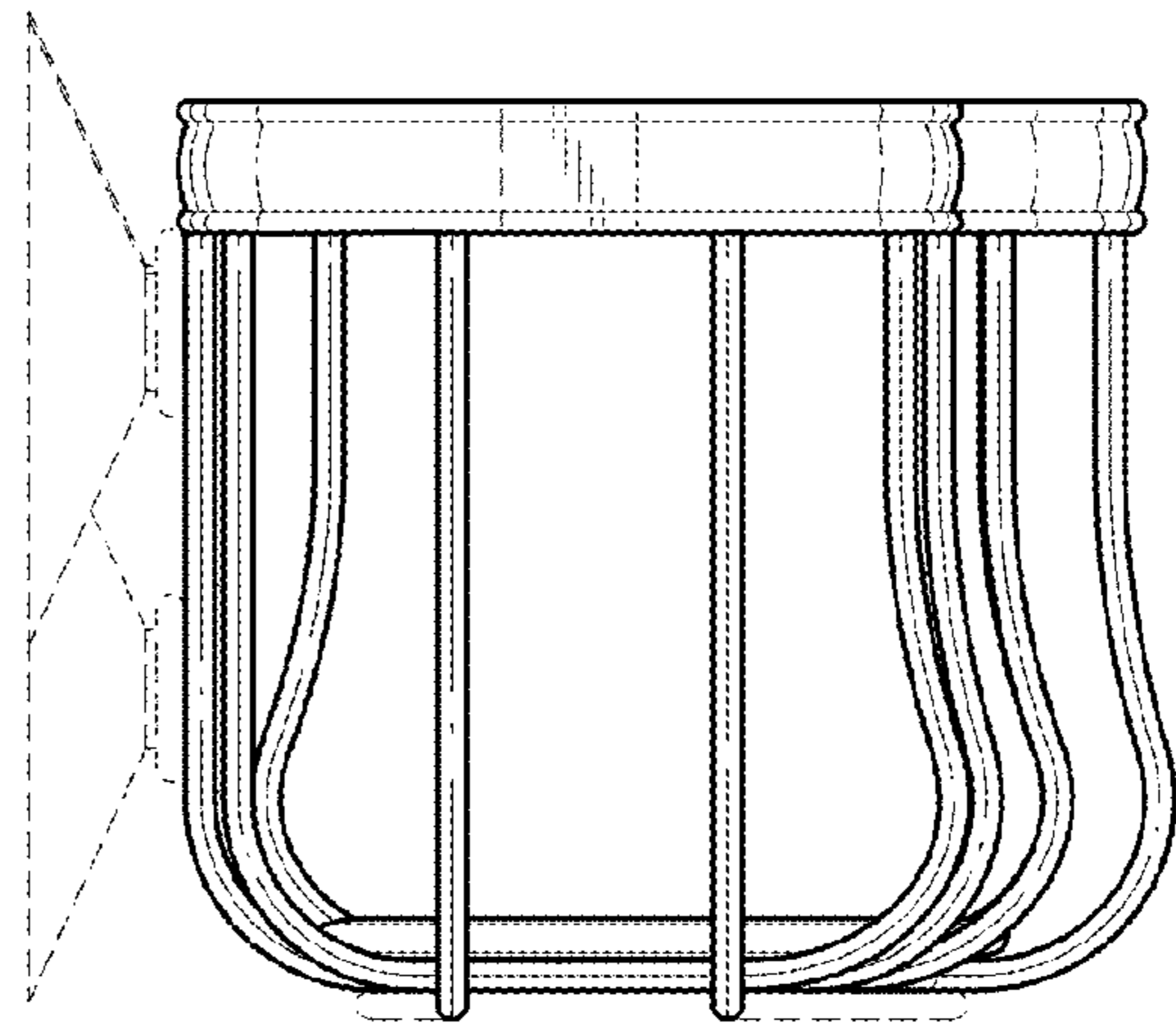


FIG. 7

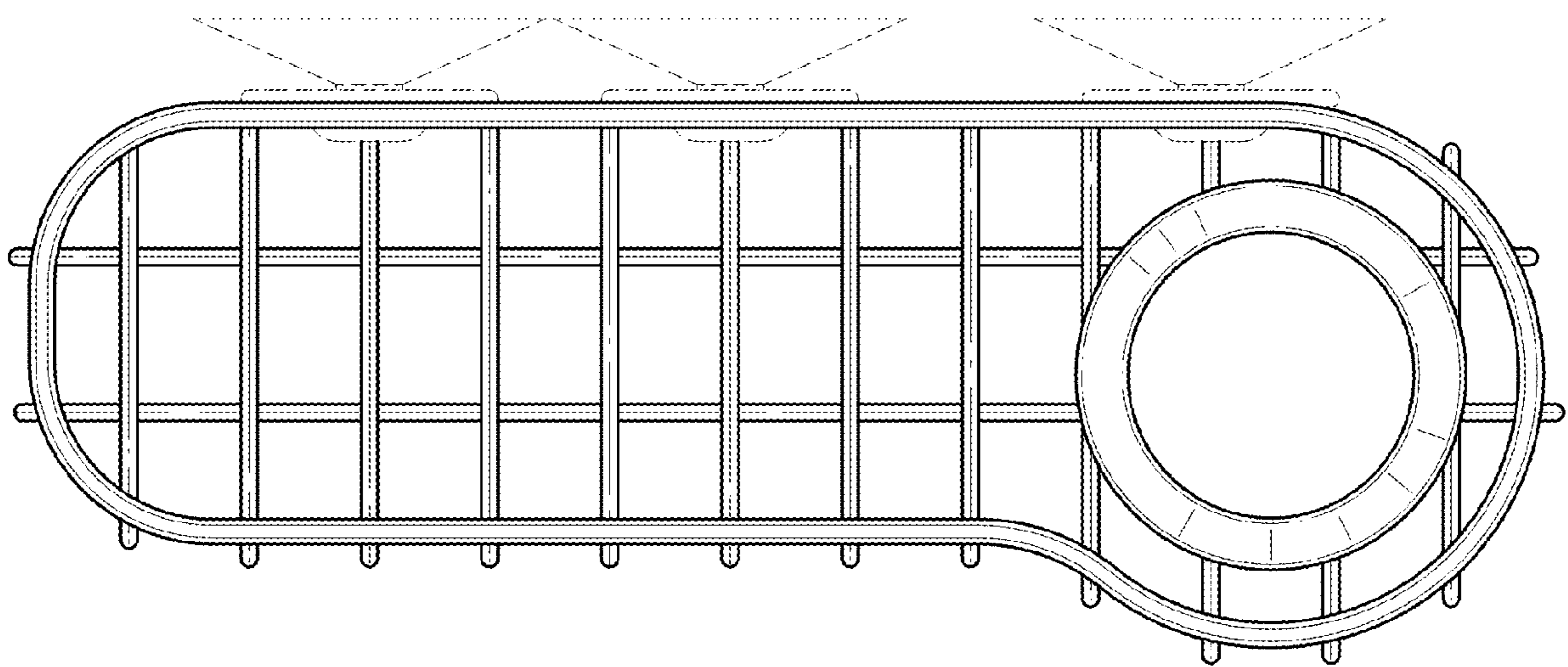


FIG. 8

