

US00D902623S

(12) **United States Design Patent**
Johnson

(10) **Patent No.:** **US D902,623 S**

(45) **Date of Patent:** **** Nov. 24, 2020**

(54) **SOAP DISPENSER**

(71) Applicant: **Kohler Co.**, Kohler, WI (US)

(72) Inventor: **Drew Johnson**, Sheboygan, WI (US)

(73) Assignee: **KOHLER CO.**, Kohler, WI (US)

(**) Term: **15 Years**

(21) Appl. No.: **29/683,279**

(22) Filed: **Mar. 12, 2019**

(51) **LOC (12) Cl.** **23-02**

(52) **U.S. Cl.**

USPC **D6/542**

(58) **Field of Classification Search**

USPC D6/542, 512, 524, 543, 544, 545, 538;
D9/291, 448, 449, 682, 688, 690, 691;
221/282; 222/14, 173, 146.3, 628, 251,
222/181.1, 181.3; D23/238, 239, 240,
D23/252, 255

CPC A47G 19/24; B67D 3/0029; B65D 23/003;
B65D 83/40; B05B 11/3001; F16N 3/10

See application file for complete search history.

(56) **References Cited**

U.S. PATENT DOCUMENTS

D341,741 S * 11/1993 Allen D6/542
D703,968 S * 5/2014 Hardy D6/542

D853,148 S * 7/2019 Cross D6/542
D886,240 S * 6/2020 Wesson D23/239
D886,245 S * 6/2020 Wesson D23/255

* cited by examiner

Primary Examiner — Mark Booker

(74) *Attorney, Agent, or Firm* — Foley & Lardner LLP

(57) **CLAIM**

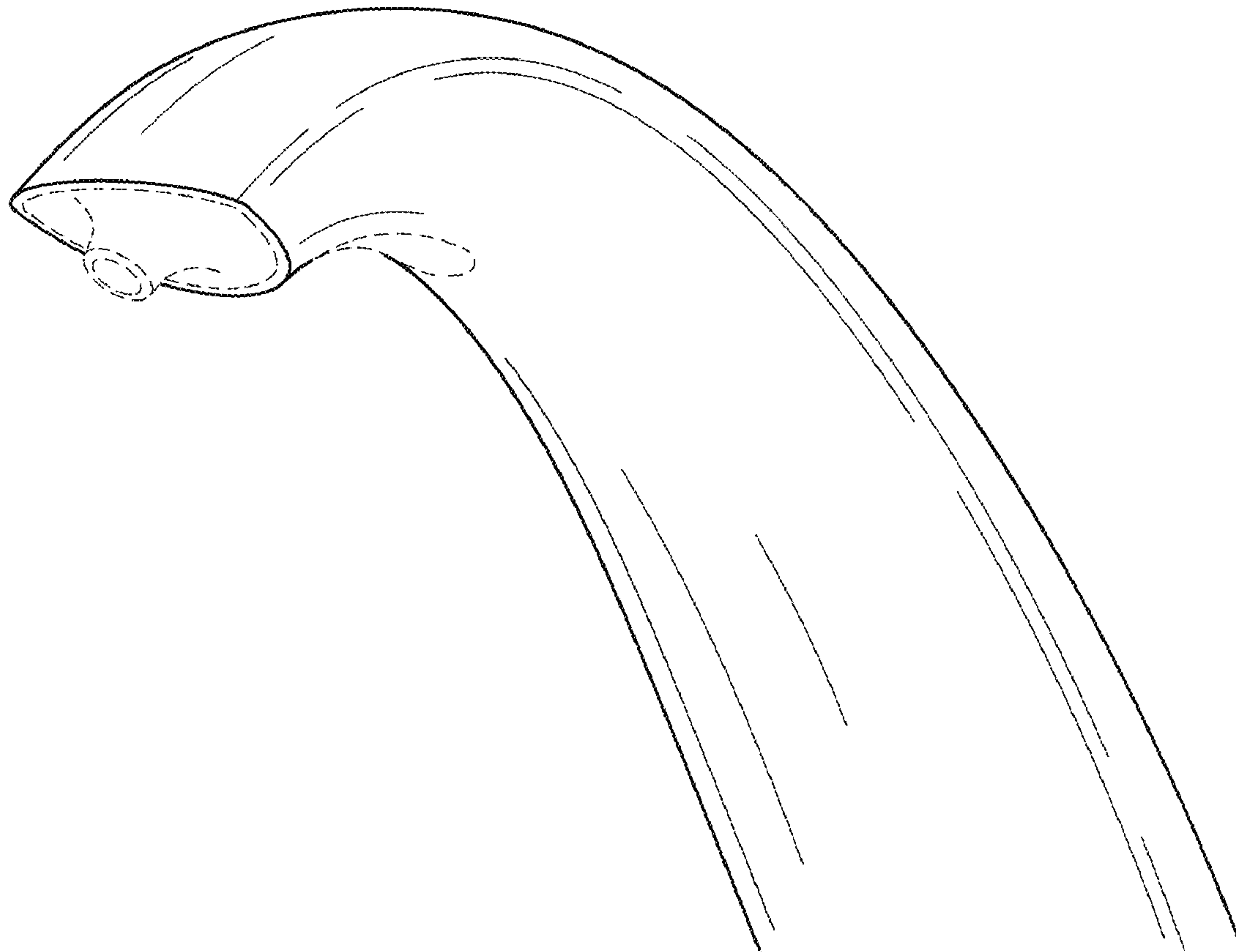
I claim the ornamental design for a soap dispenser, as shown and described.

DESCRIPTION

FIG. 1 is a top, front, left perspective view of a soap dispenser of the claimed design;
FIG. 2 is a front elevation view thereof;
FIG. 3 is a rear elevation view thereof;
FIG. 4 is a right side elevation view thereof;
FIG. 5 is a left side elevation view thereof;
FIG. 6 is a top plan view thereof; and,
FIG. 7 is a bottom plan view thereof.

The dash broken lines shown in the figures represent portions of the soap dispenser that form no part of the claimed design.

1 Claim, 5 Drawing Sheets



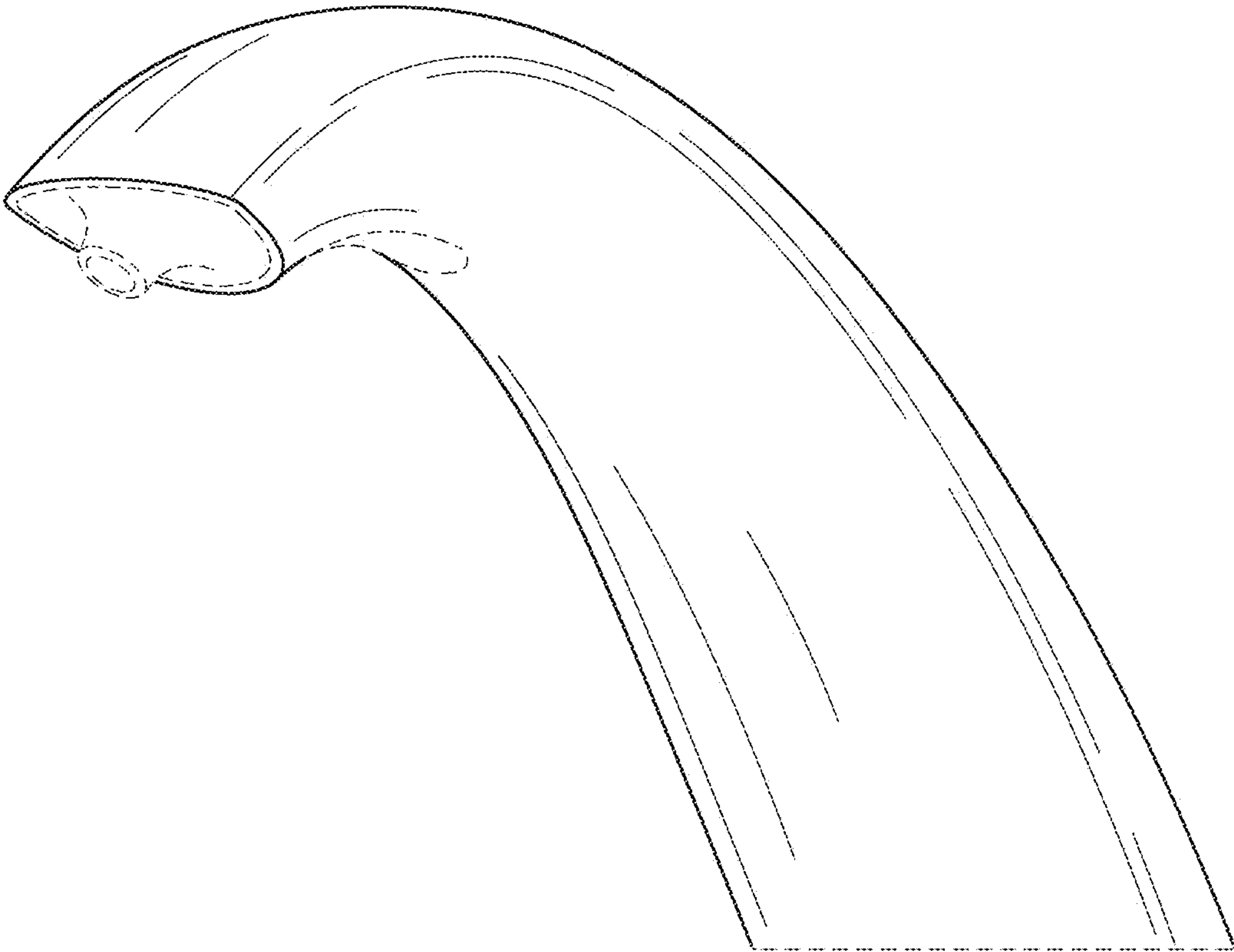


FIG. 1

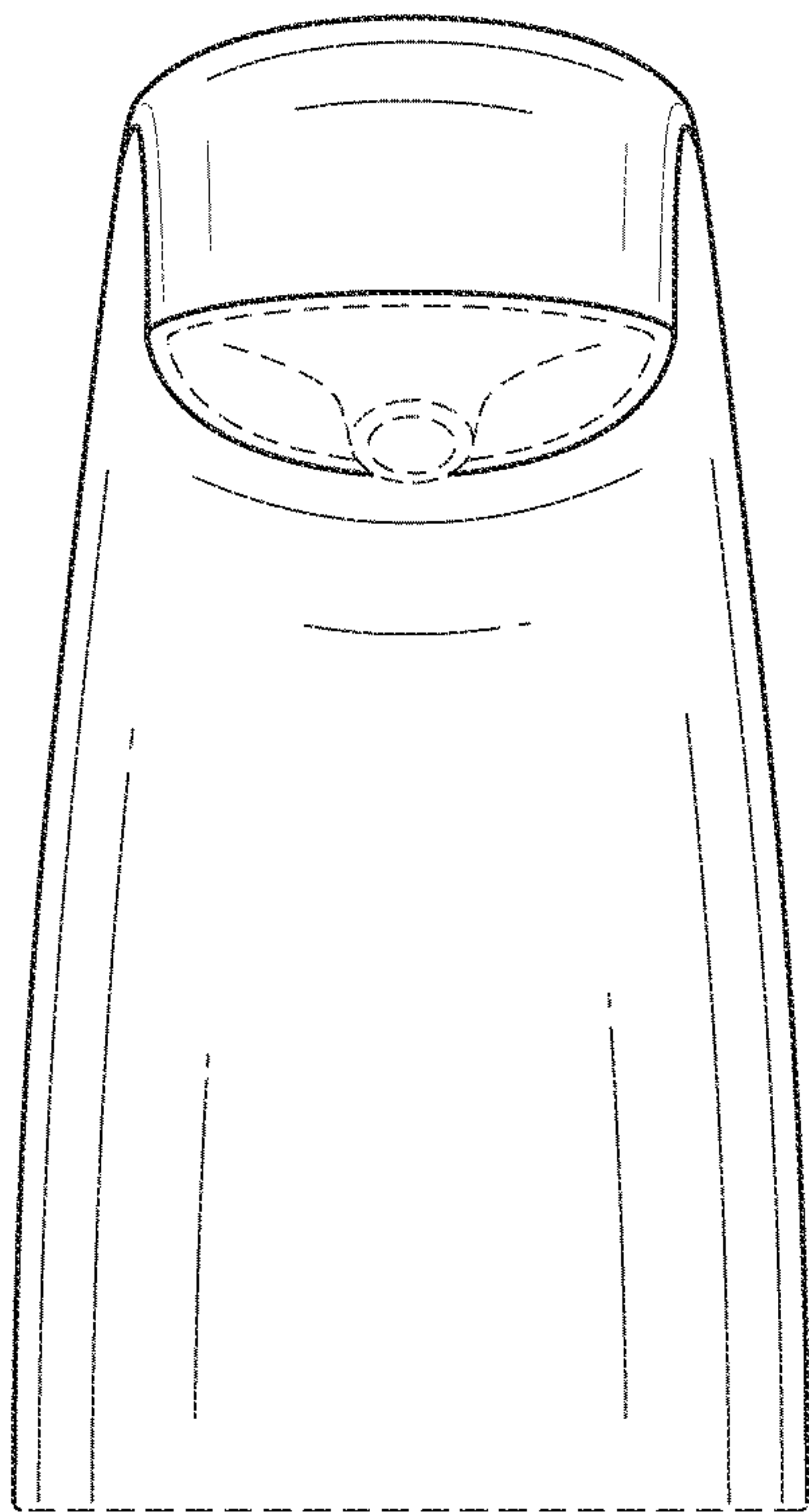


FIG. 2

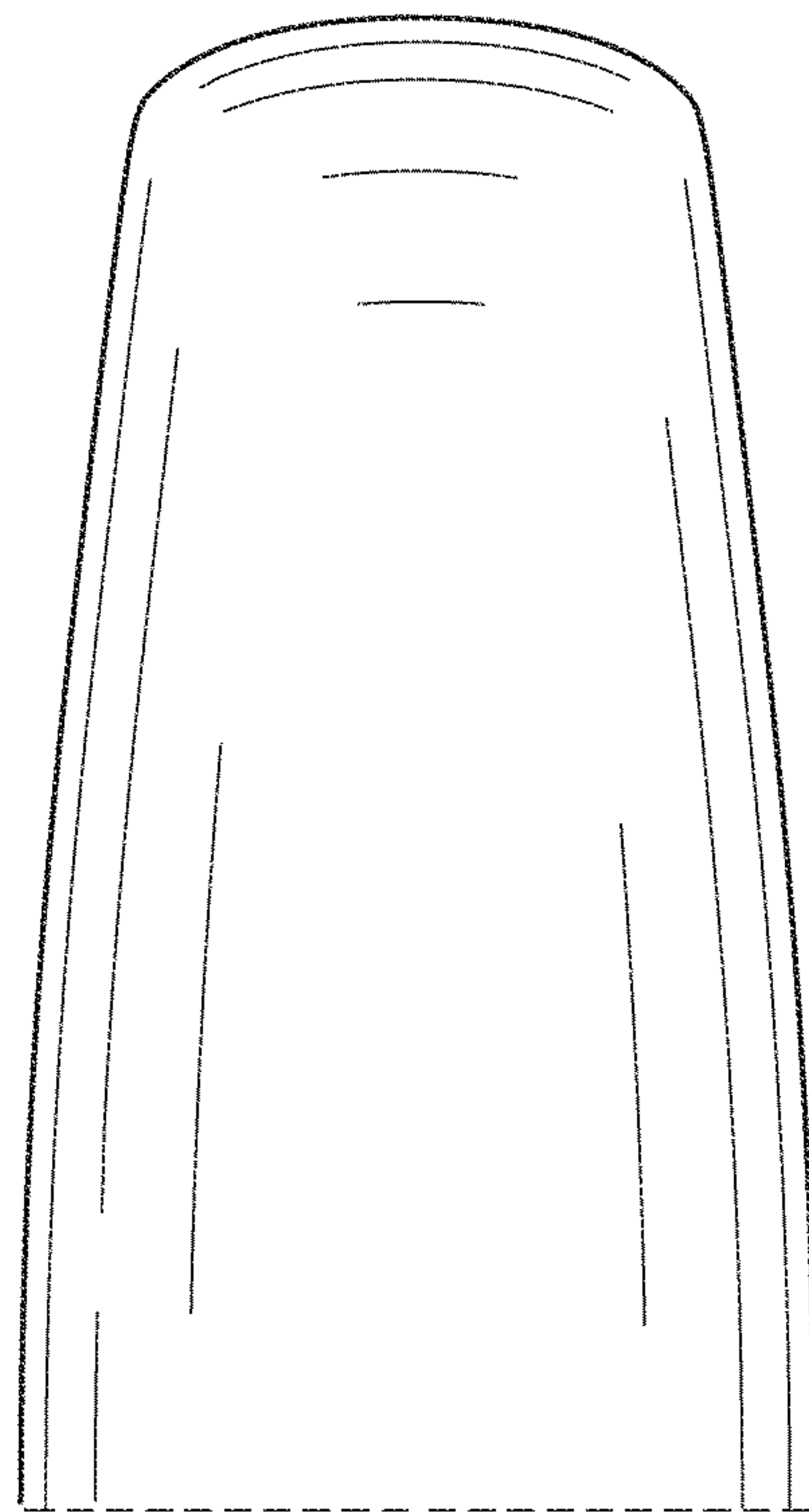


FIG. 3

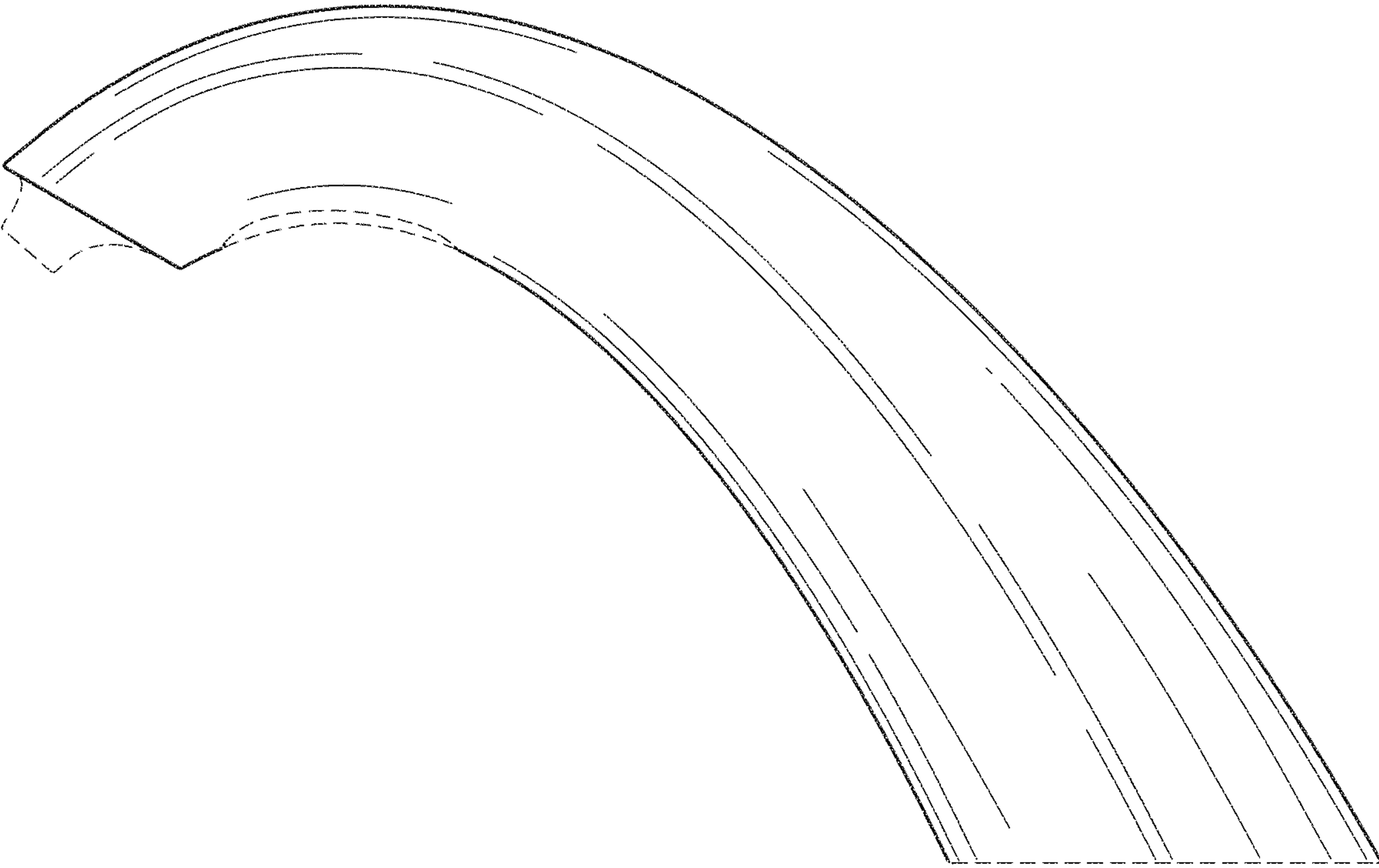


FIG. 4

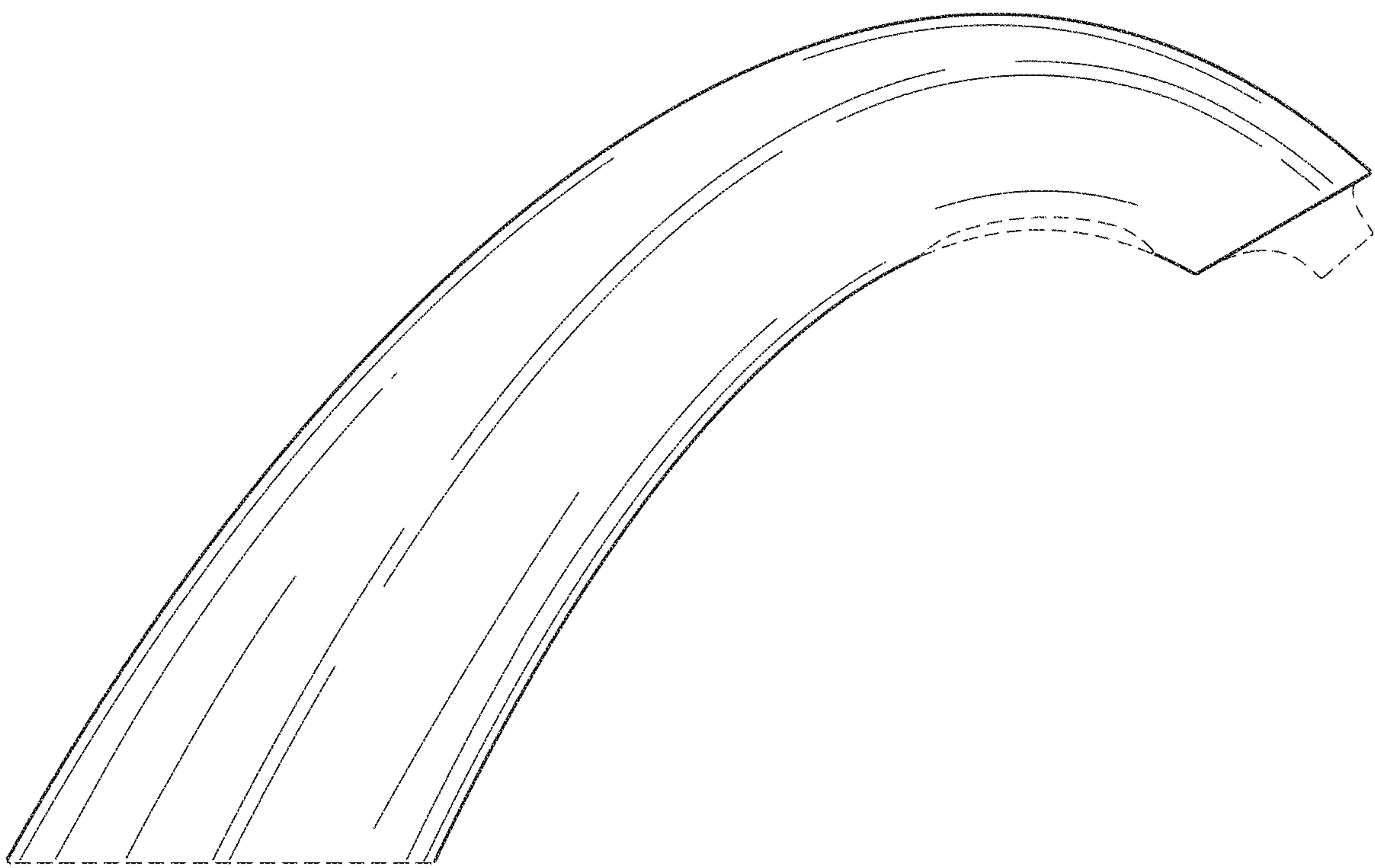


FIG. 5

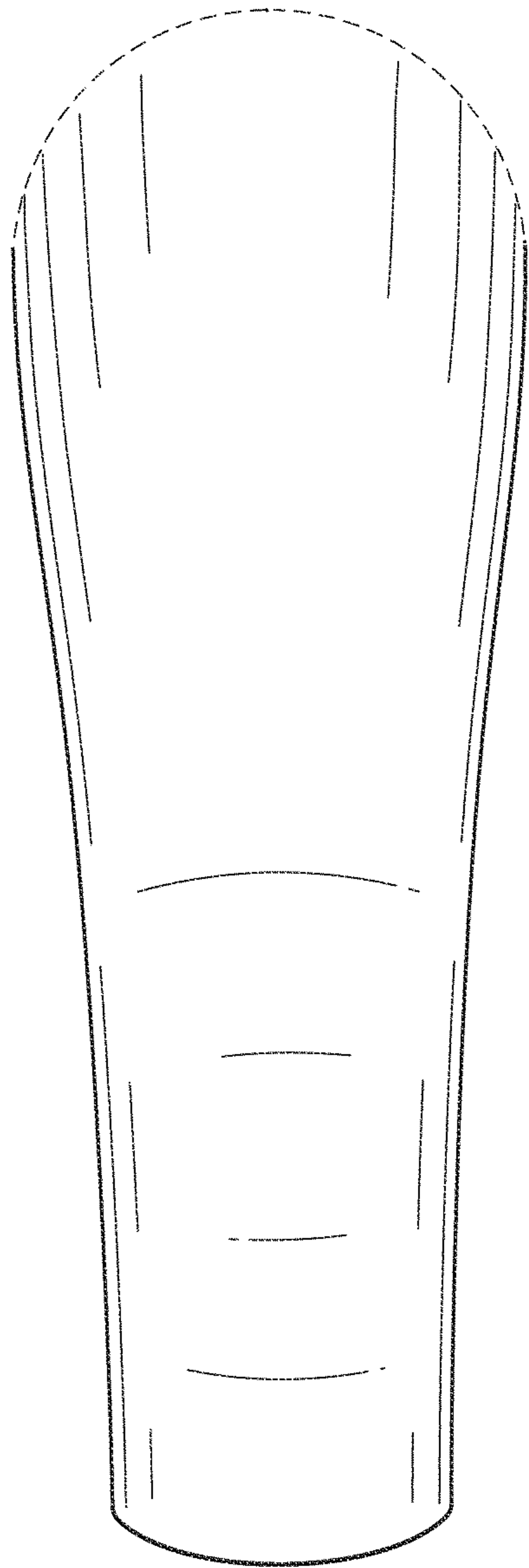


FIG. 6

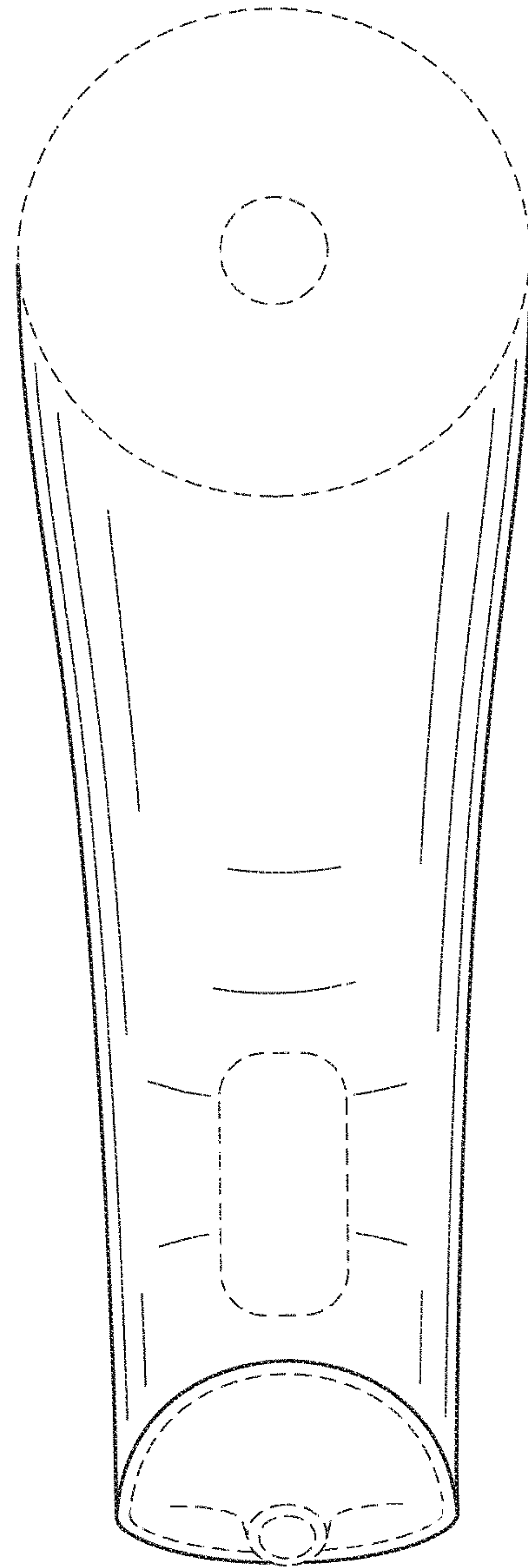


FIG. 7