



US00D902621S

(12) **United States Design Patent** (10) **Patent No.:** **US D902,621 S**
Peng (45) **Date of Patent:** **** Nov. 24, 2020**

(54) **TOILET PAPER HOLDER**
(71) Applicant: **Yuting Peng**, Shenzhen (CN)
(72) Inventor: **Yuting Peng**, Shenzhen (CN)
(**) Term: **15 Years**
(21) Appl. No.: **29/745,815**

D525,812 S * 8/2006 Goodman D6/520
D540,083 S * 4/2007 Snell D6/523
D542,581 S * 5/2007 Goodman D6/520
D573,822 S * 7/2008 Yang D6/523
D618,021 S * 6/2010 Guindi D6/520
D637,042 S * 5/2011 Chen D7/600.1
D646,961 S * 10/2011 Hampton D8/373
D647,745 S * 11/2011 Guindi D6/520
D691,389 S * 10/2013 Snider D6/519
D775,850 S * 1/2017 Tsai
D867,011 S * 11/2019 Snell D6/520

(22) Filed: **Aug. 10, 2020**
(51) **LOC (12) Cl.** **20-02**
(52) **U.S. Cl.**
USPC **D6/520**
(58) **Field of Classification Search**
USPC D6/515-523, 566, 552; D3/201, 304,
D3/305, 306; 206/391; 211/13.1, 86.01,
211/87.01, 71.01, 181.1; 242/580, 590;
248/309.1; D34/1; D11/148; 220/489
CPC A47K 10/40; A47K 10/3836; A47K 10/22;
A47K 10/38; A47K 2010/389; A47K
2010/3233; A47K 2010/3872
See application file for complete search history.

* cited by examiner

Primary Examiner — Nathan M Johnston
(74) *Attorney, Agent, or Firm* — Erson IP (Nelson IP)

(56) **References Cited**

U.S. PATENT DOCUMENTS

D180,037 S * 4/1957 Singiser D3/316
D342,844 S * 1/1994 Rittenberg D6/566
D361,449 S * 8/1995 Rittenberg D6/566
D476,835 S 7/2003 Lai

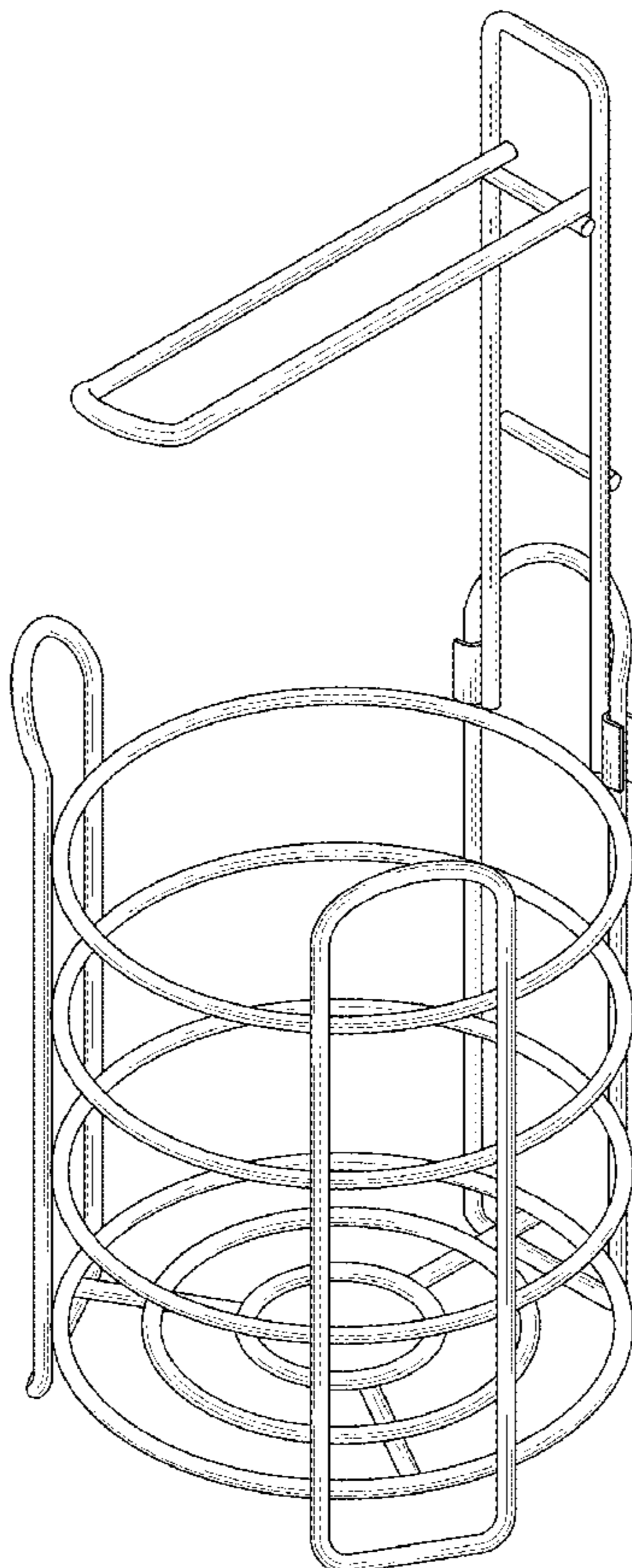
(57) **CLAIM**

The ornamental design for a toilet paper holder, as shown and described.

DESCRIPTION

FIG. 1 is a perspective view of a toilet paper holder showing my new design;
FIG. 2 is a front view thereof;
FIG. 3 is a rear view thereof;
FIG. 4 is a left side view thereof;
FIG. 5 is a right side view thereof;
FIG. 6 is a top plan view thereof; and,
FIG. 7 is a bottom plan view thereof.

1 Claim, 6 Drawing Sheets



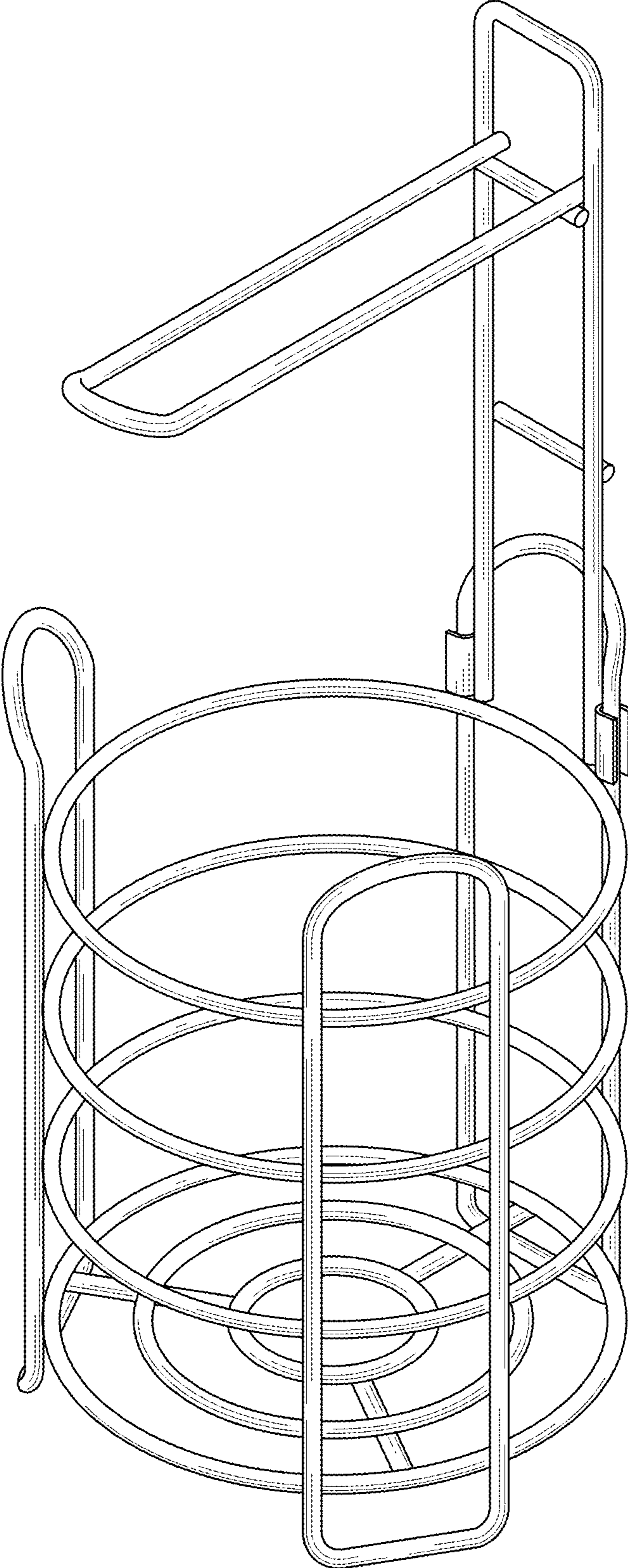


FIG. 1

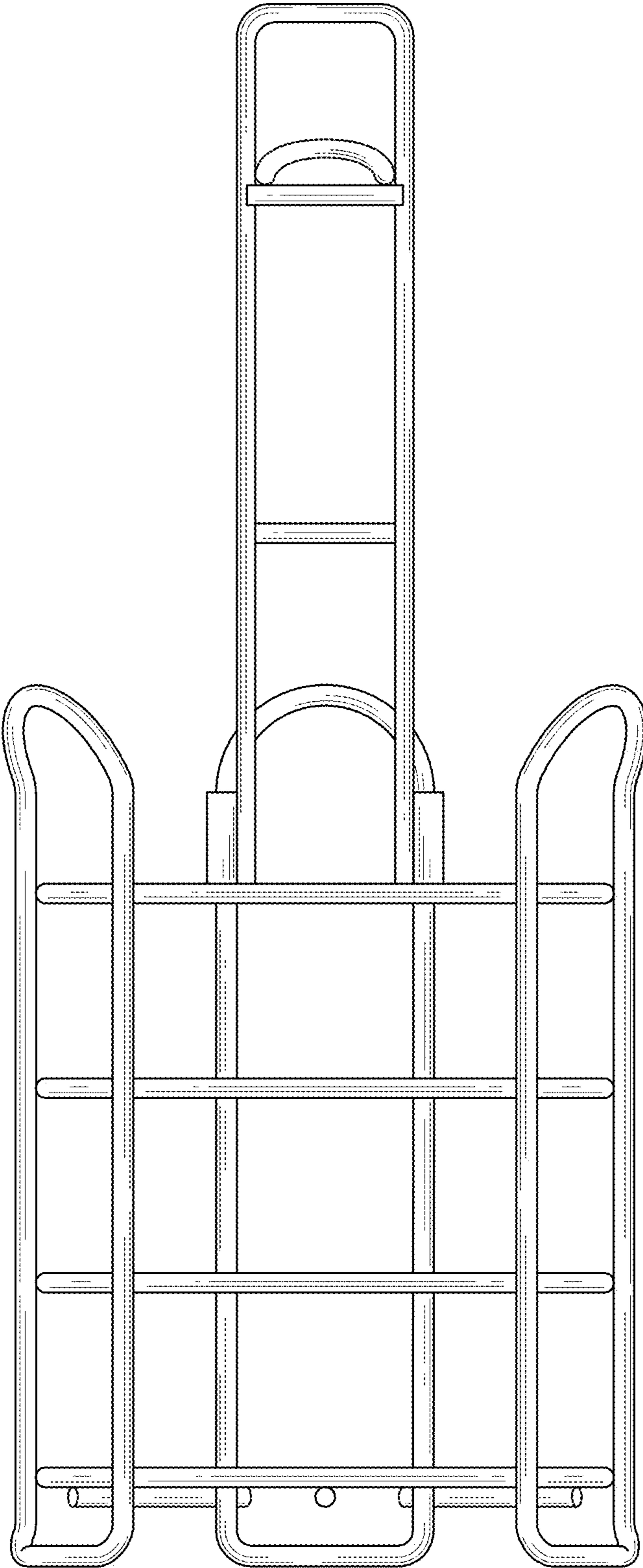


FIG. 2

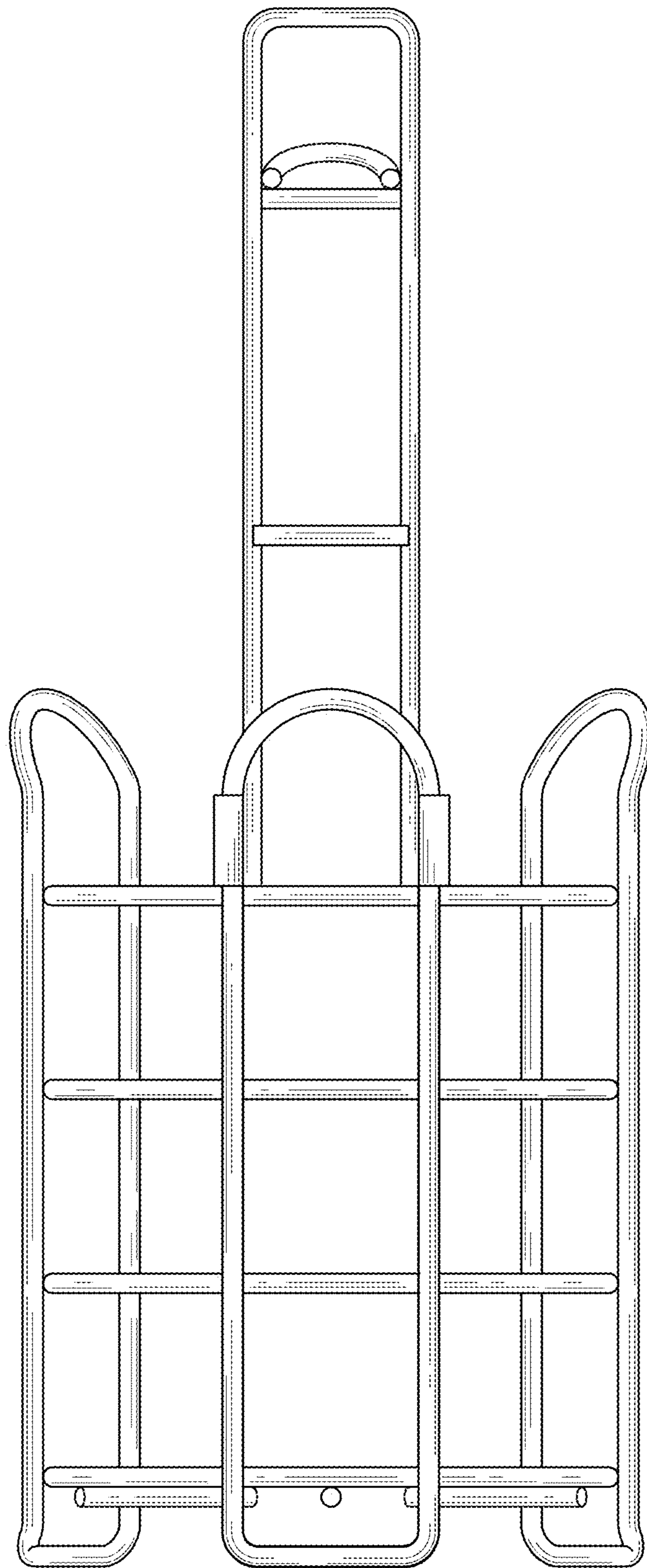


FIG. 3

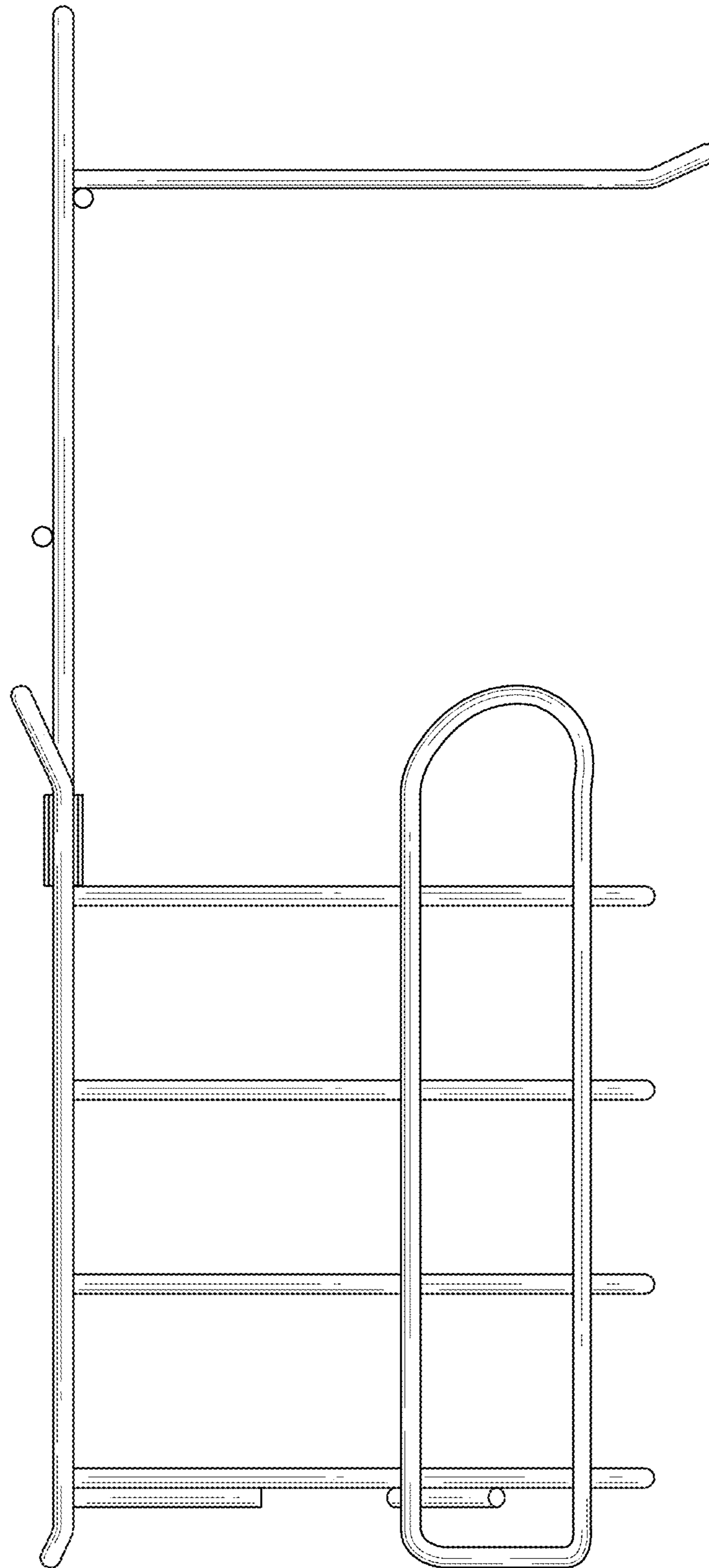


FIG. 4

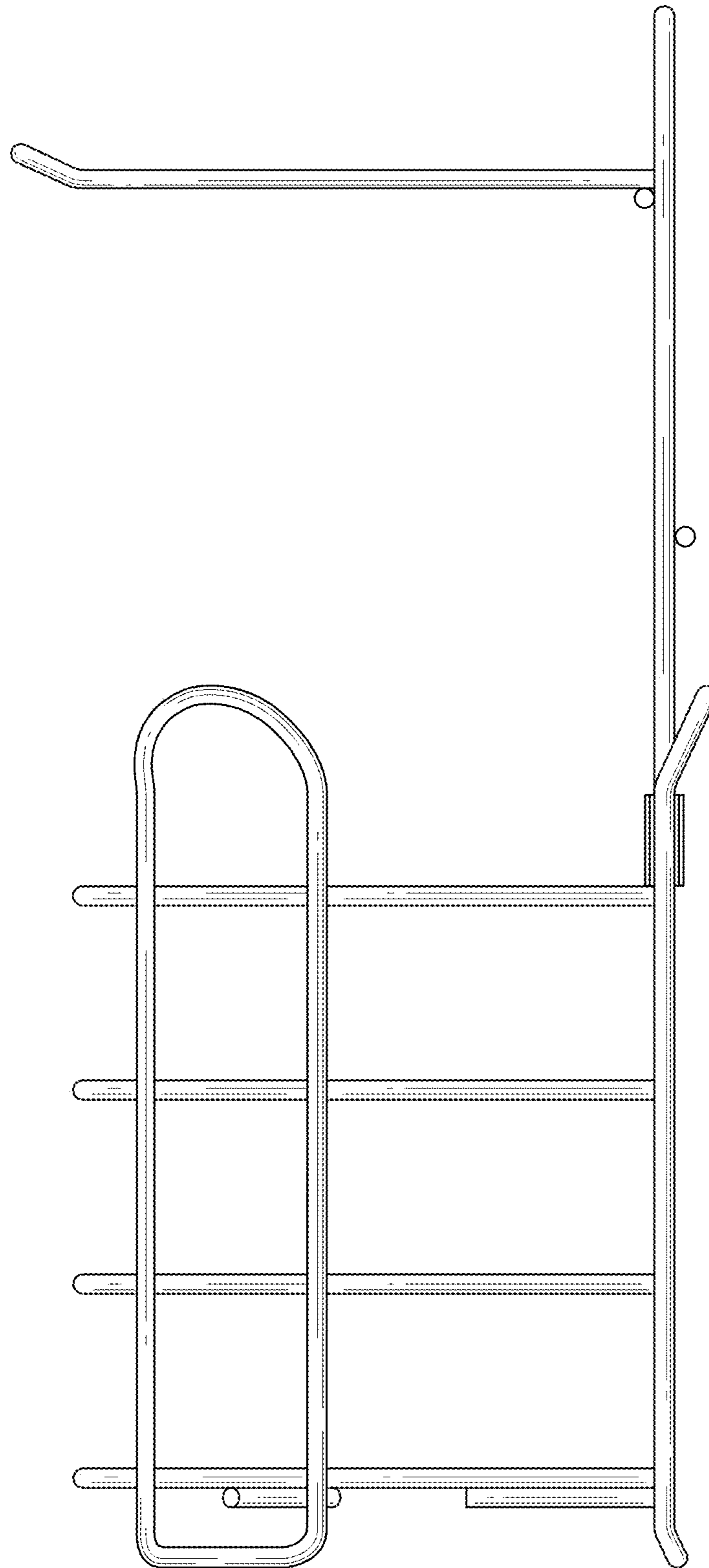


FIG. 5

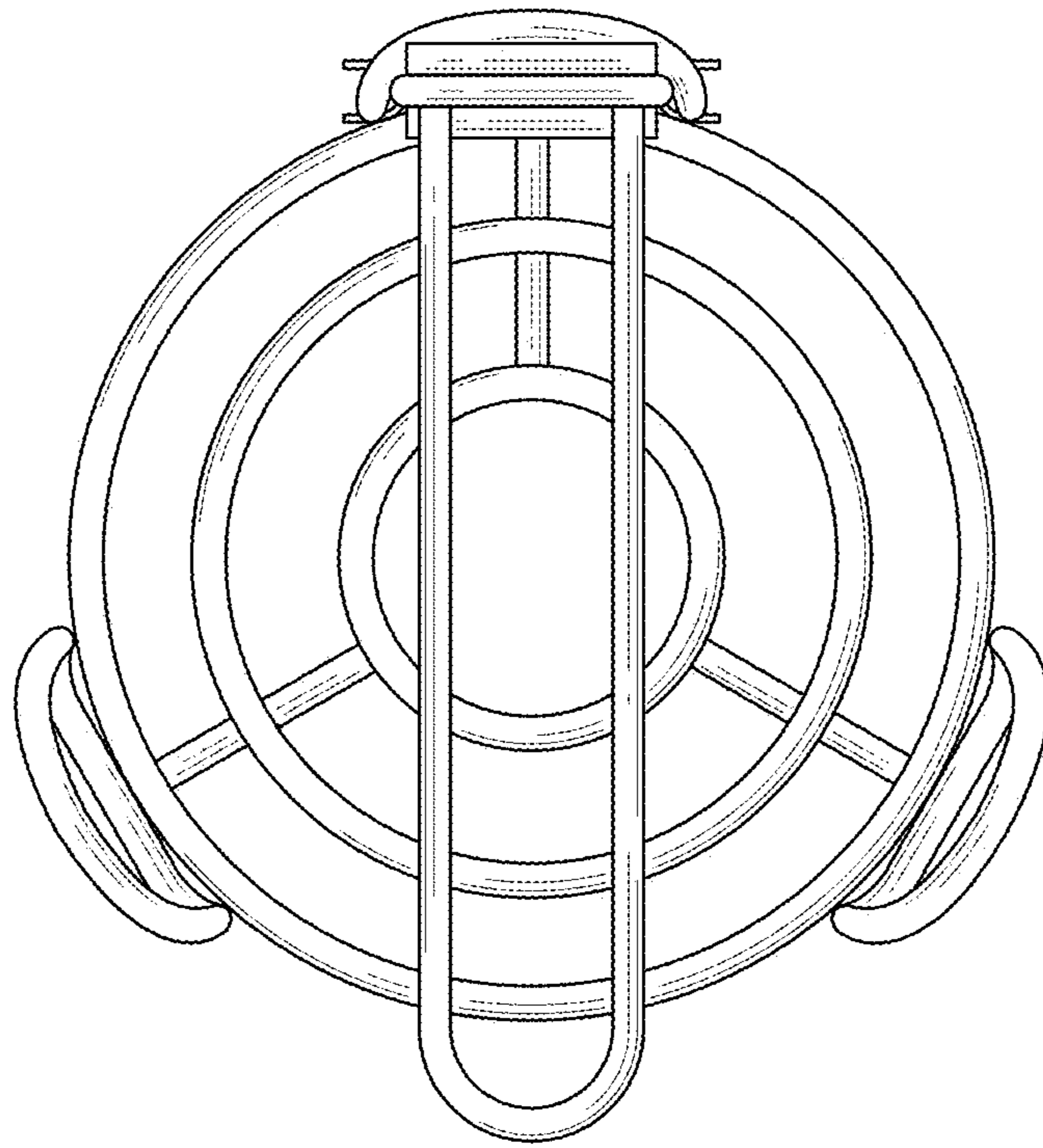


FIG. 6

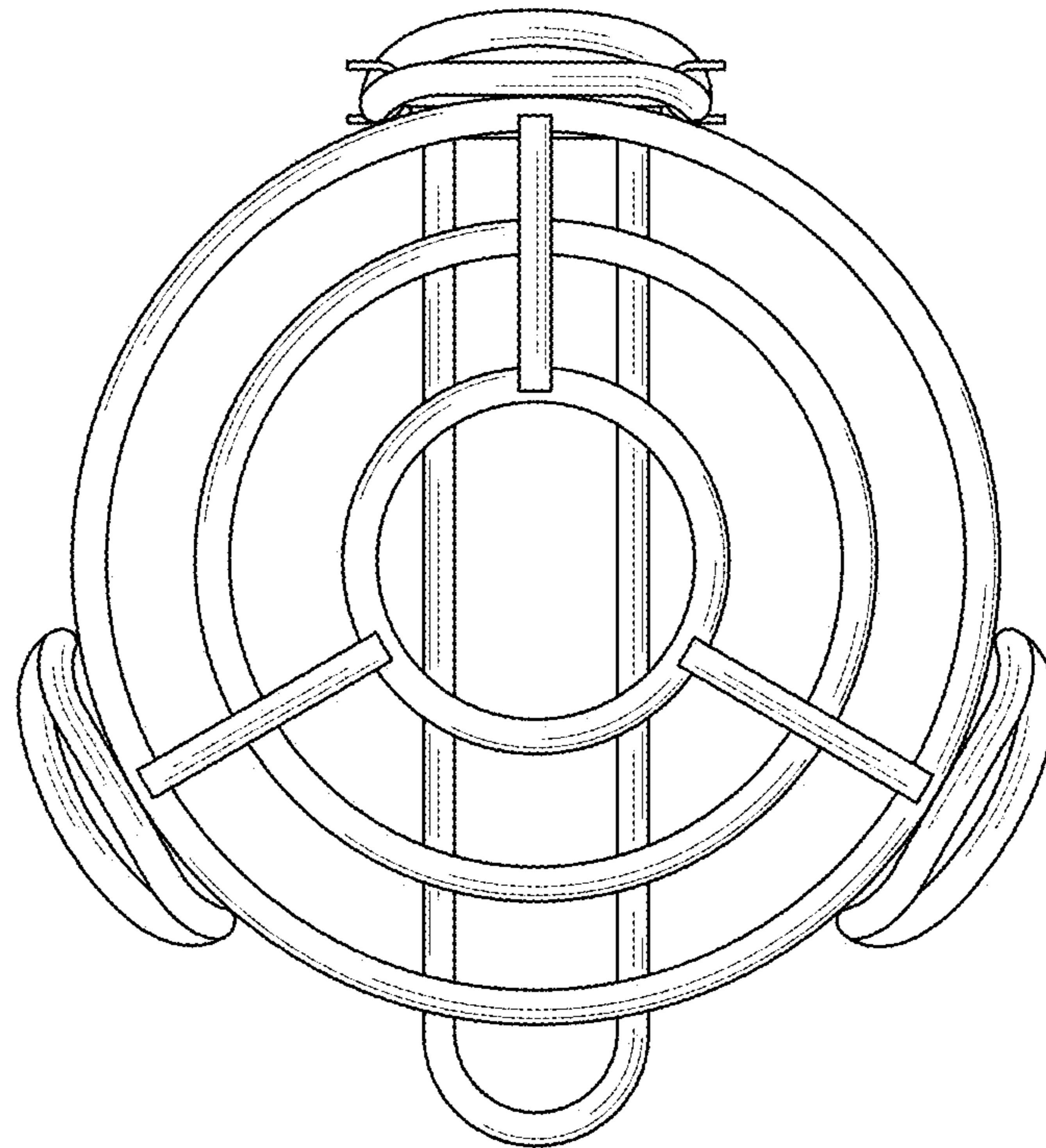


FIG. 7