



US00D902619S

(12) **United States Design Patent**
Chen

(10) **Patent No.:** **US D902,619 S**

(45) **Date of Patent:** **** Nov. 24, 2020**

(54) **PORTABLE FOLDING BEACH CHAIR**

(71) Applicant: **Min Chen**, Sichuan (CN)

(72) Inventor: **Min Chen**, Sichuan (CN)

(**) Term: **15 Years**

(21) Appl. No.: **29/678,259**

(22) Filed: **Jan. 28, 2019**

(51) **LOC (12) Cl.** **06-01**

(52) **U.S. Cl.**
USPC **D6/375**

(58) **Field of Classification Search**
USPC D6/329, 334, 367-376, 358-366, 353,
D6/335-340, 352, 377-383, 392-395,
D6/710-712, 716, 716.1, 716.2, 716.3;
297/440.1, 440.21, 452.14
CPC .. A47C 11/00; A47C 4/02; A47C 4/03; A47C
4/08; A47C 4/024; A47C 4/025; A47C
4/028; A47C 5/04; A47C 7/16; A47C
5/12; A47C 7/36; A47C 7/40; A47C
9/007; A47C 13/023; A47C 5/08; A47C
17/175; A47C 13/005; A47C 11/005;
A47C 4/021; A47C 4/286; A47C 1/14;
F16B 5/0012; A47B 47/0075; A47B 3/06
See application file for complete search history.

(56) **References Cited**

U.S. PATENT DOCUMENTS

1,842,424	A *	1/1932	Ponten	A47C 1/146	297/377
D116,558	S *	9/1939	Ficks	D6/361	
3,808,616	A *	5/1974	White	A47C 1/146	5/419
3,822,424	A *	7/1974	Messer	A47C 1/146	5/419
D244,336	S *	5/1977	Stein	D6/368	
5,042,874	A *	8/1991	Williams	A47C 1/143	297/17

D324,318	S *	3/1992	Purfield	D6/608	
D359,719	S *	6/1995	Langerud	D12/317	
D368,199	S *	3/1996	Winslow	5/419	
D368,381	S *	4/1996	Lang	D6/368	
6,250,712	B1 *	6/2001	Livington	A47C 1/146	297/129

(Continued)

FOREIGN PATENT DOCUMENTS

DE	2016-12358	M *	2/2016
JP	D1651915	*	7/2019
KR	300848100.0000	*	10/2015

OTHER PUBLICATIONS

Pacific Breeze Products, Pacific Breeze Lounger Date first available Jul. 19, 2016, [online]retrieved Jun. 1, 2020, available from internet, www.amazon.com (Year: 2016).*

(Continued)

Primary Examiner — Keli L Hill
Assistant Examiner — Sara S Sahneh

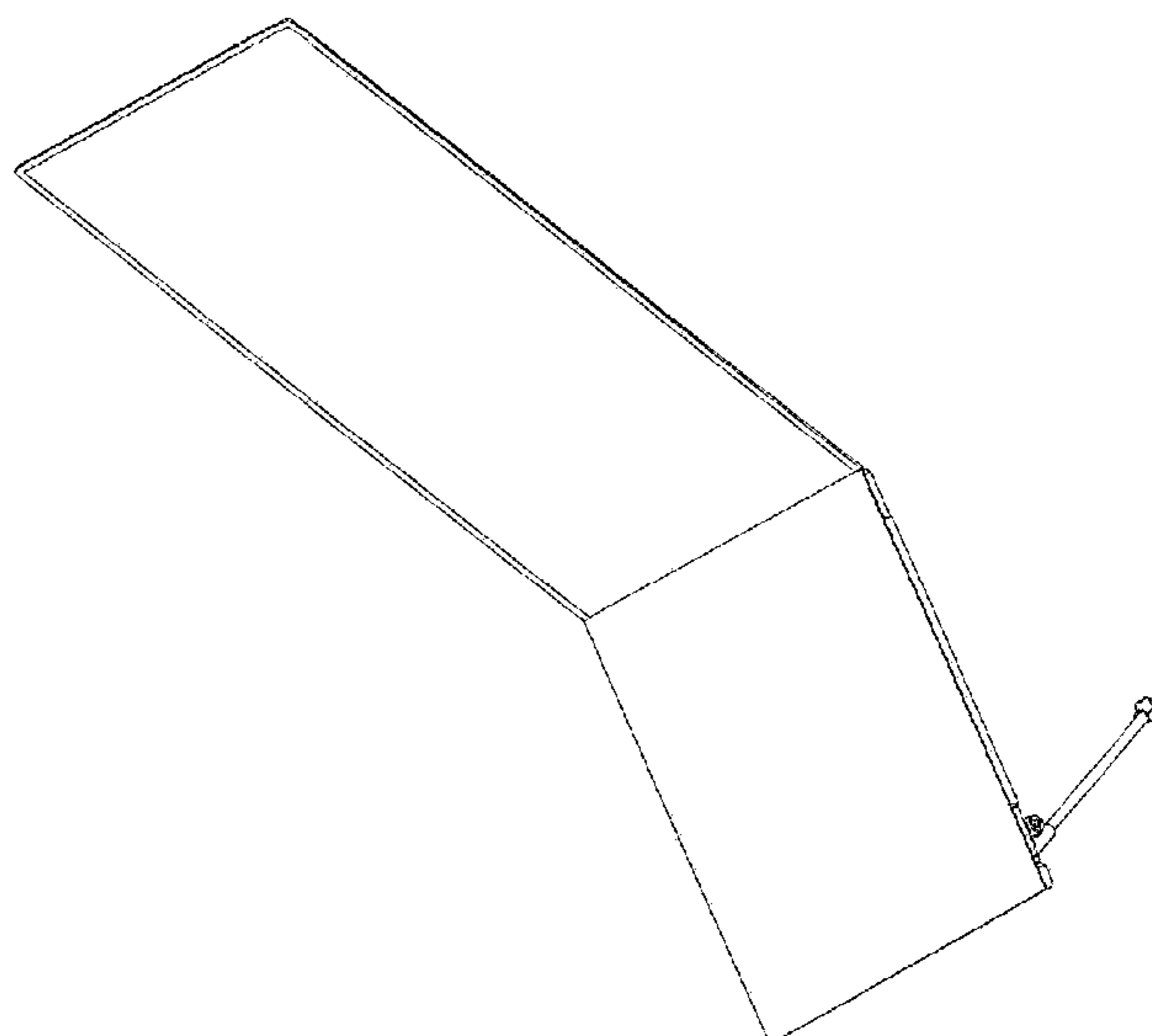
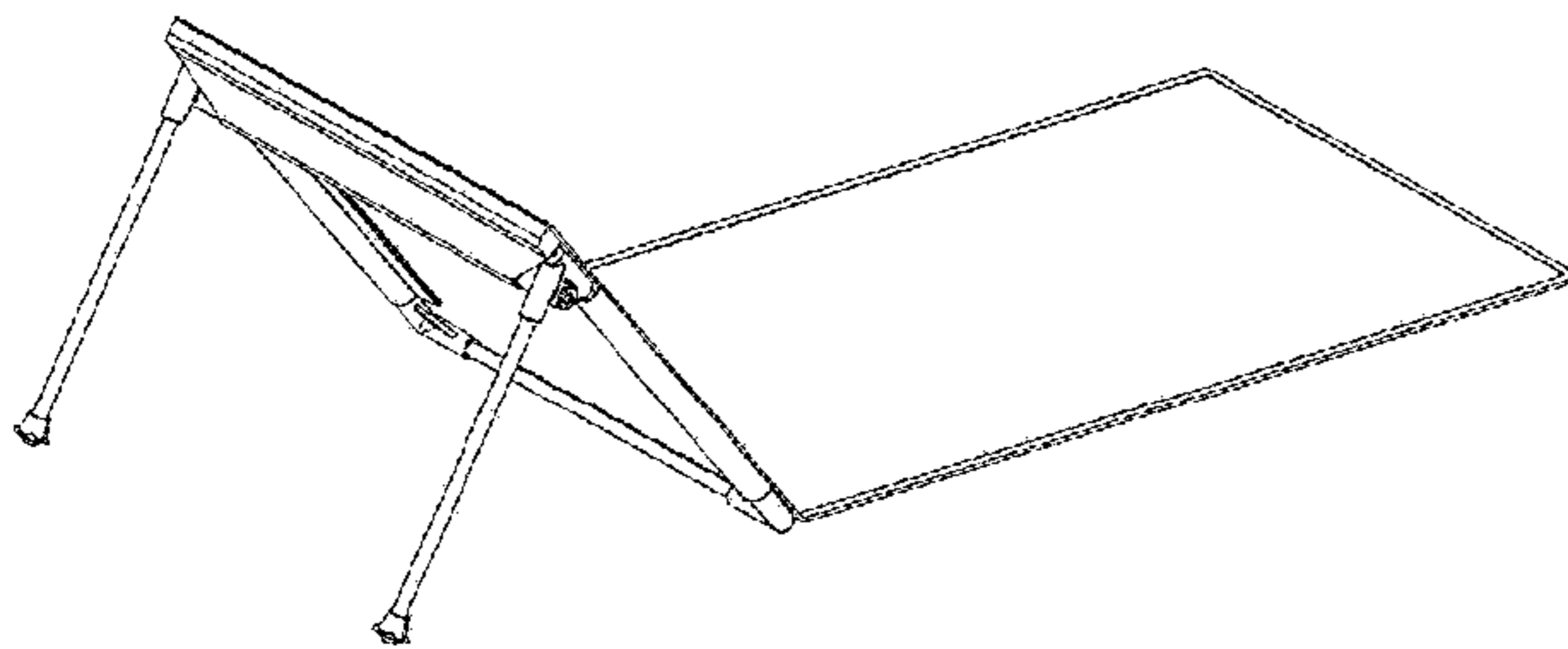
(57) **CLAIM**

The ornamental design for a portable folding beach chair, as shown and described.

DESCRIPTION

FIG. 1 is a perspective view of a portable folding beach chair showing my new design in an expanded configuration; FIG. 2 is another perspective view thereof; FIG. 3 is a front elevational view thereof; FIG. 4 is a rear elevational view thereof; FIG. 5 is a left side view thereof, shown in a folded configuration; FIG. 6 is a right side view thereof, shown in a folded configuration; FIG. 7 is a top plan view thereof; and, FIG. 8 is a bottom plan view thereof.

1 Claim, 5 Drawing Sheets



(56)

References Cited

U.S. PATENT DOCUMENTS

7,297,060 B2 * 11/2007 Brase A47C 3/16
463/36
8,056,982 B2 * 11/2011 Loney A47C 1/146
297/16.2

OTHER PUBLICATIONS

Haoxi, Outdoor Beach Chair Mat—Portable Camping Folding Water-
proof Lounge Chair with Adjustable Backrest, [online]retrieved Jun.
1, 2020, available from internet, www.amazon.com (Year: 2020).*

The Lakeside Collection ,The Lakeside Collection Striped Beach
Lounger Chair—Padded Folding Mat, [online]retrieved Jun. 1,
2020, available from internet, www.amazon.com (Year: 2020).*

* cited by examiner

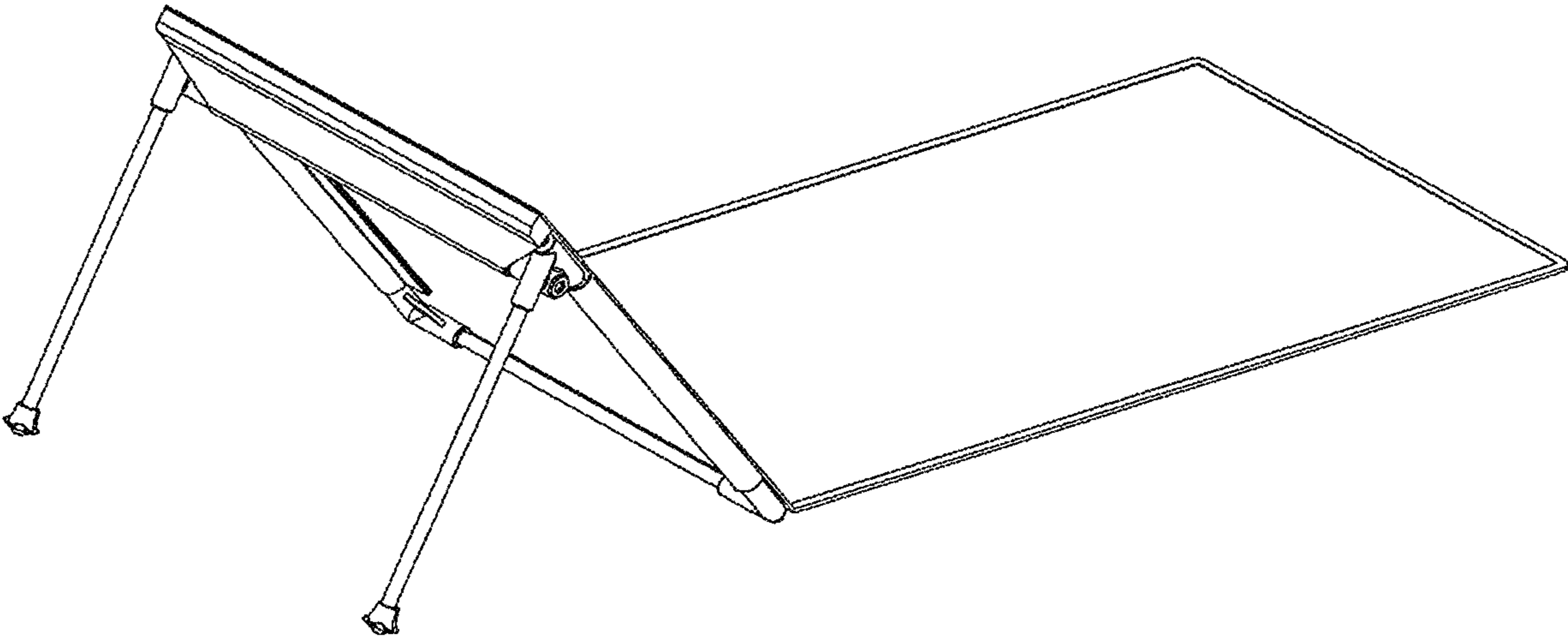


FIG.1

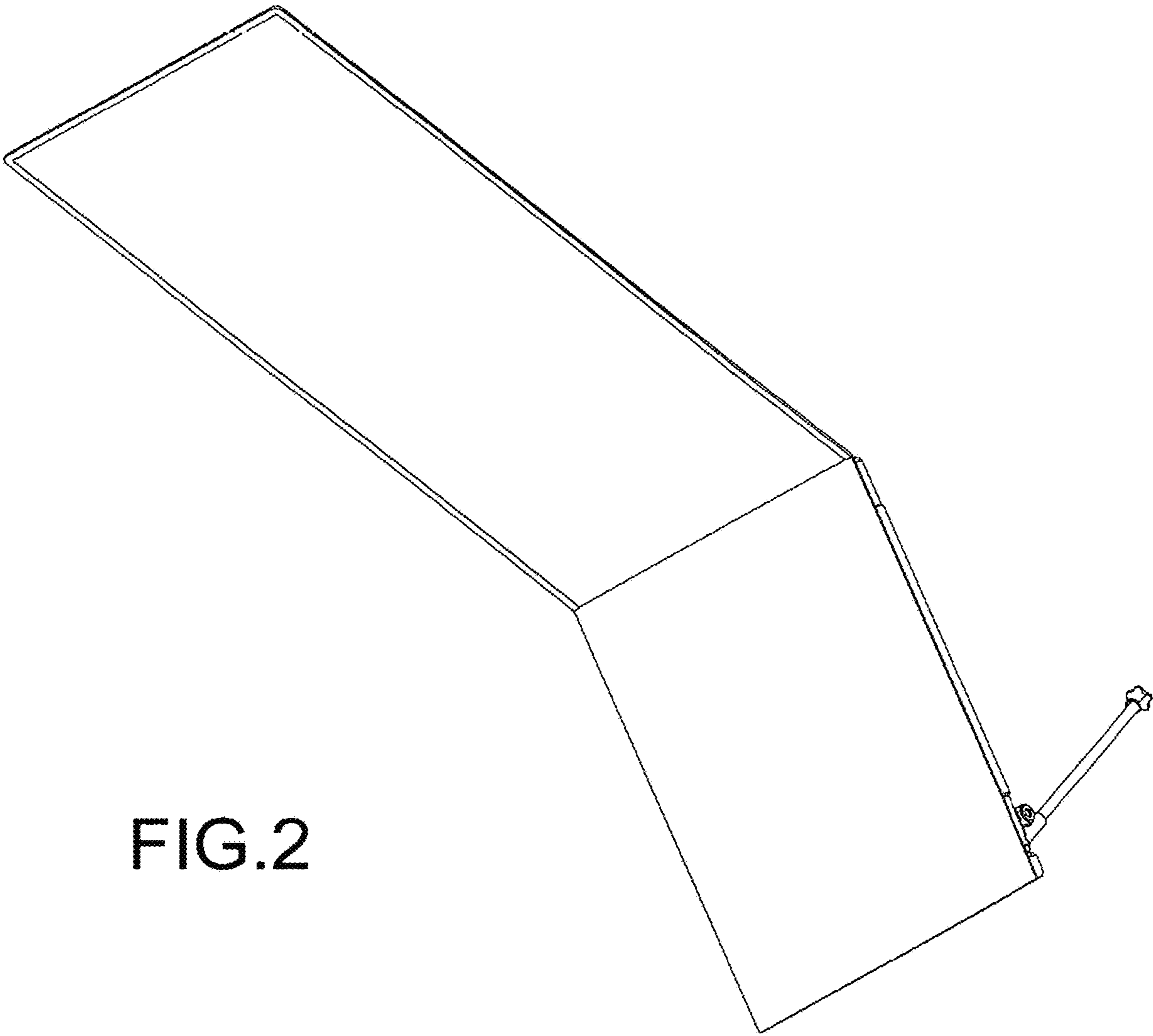


FIG. 2

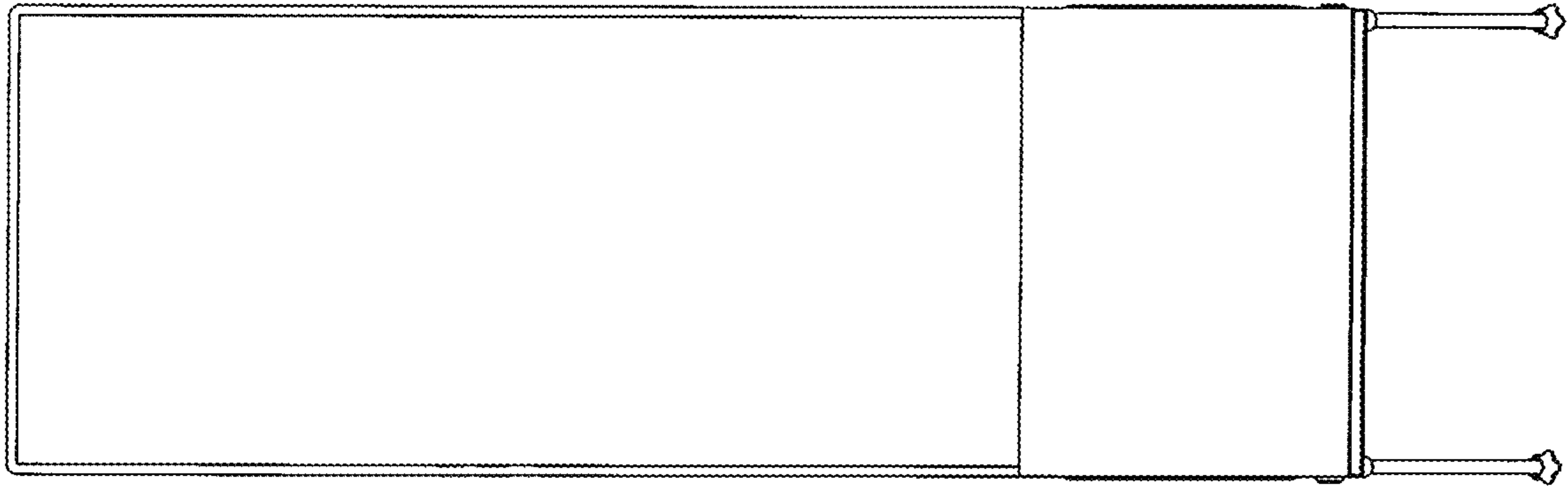


FIG. 3

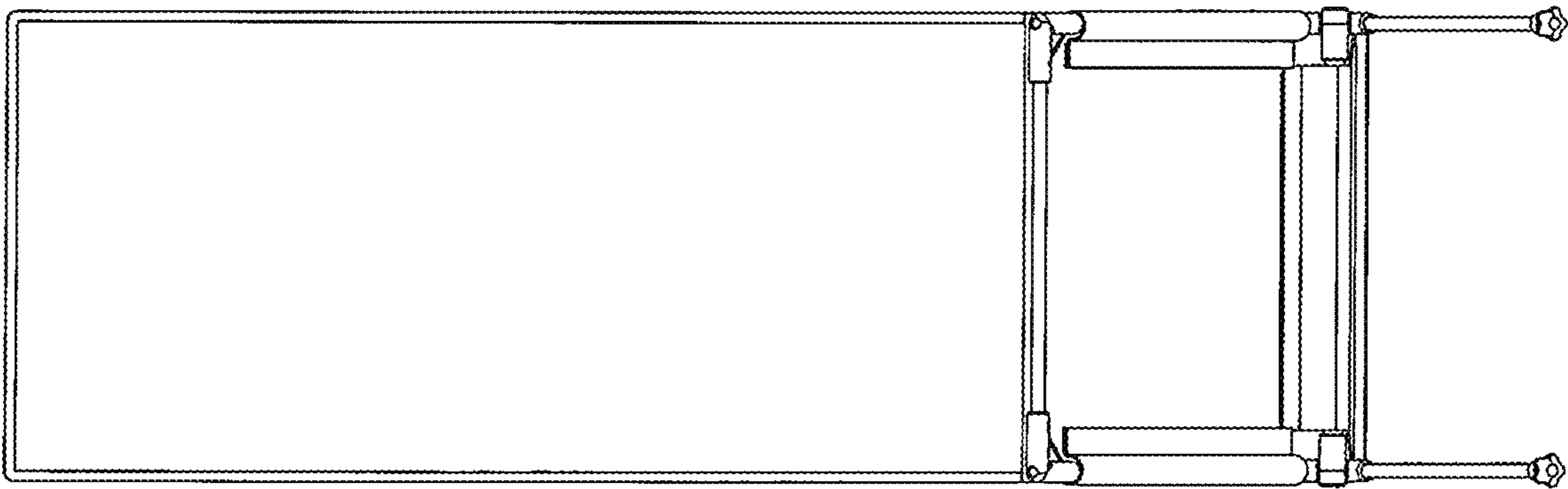


FIG. 4

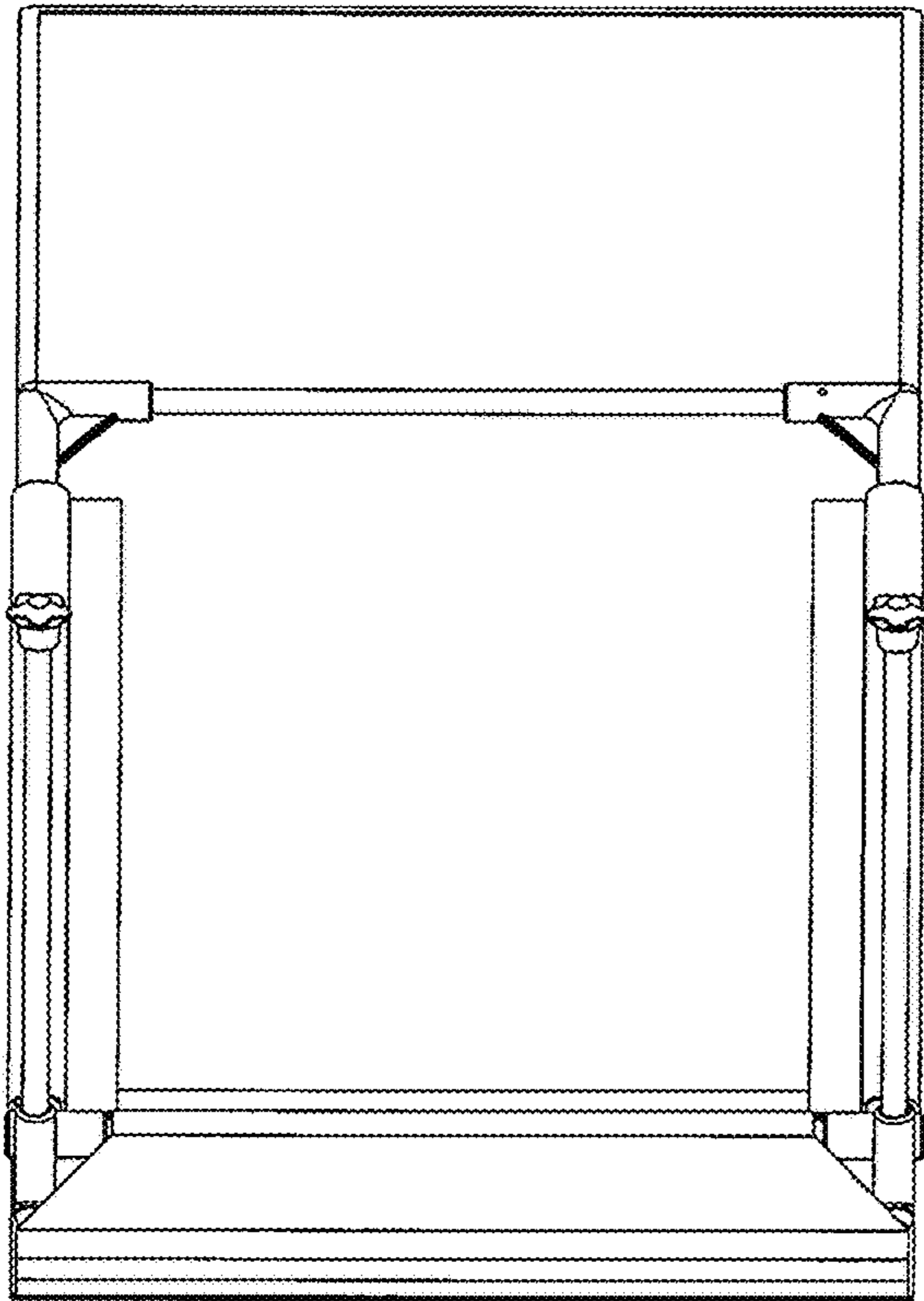


FIG. 5

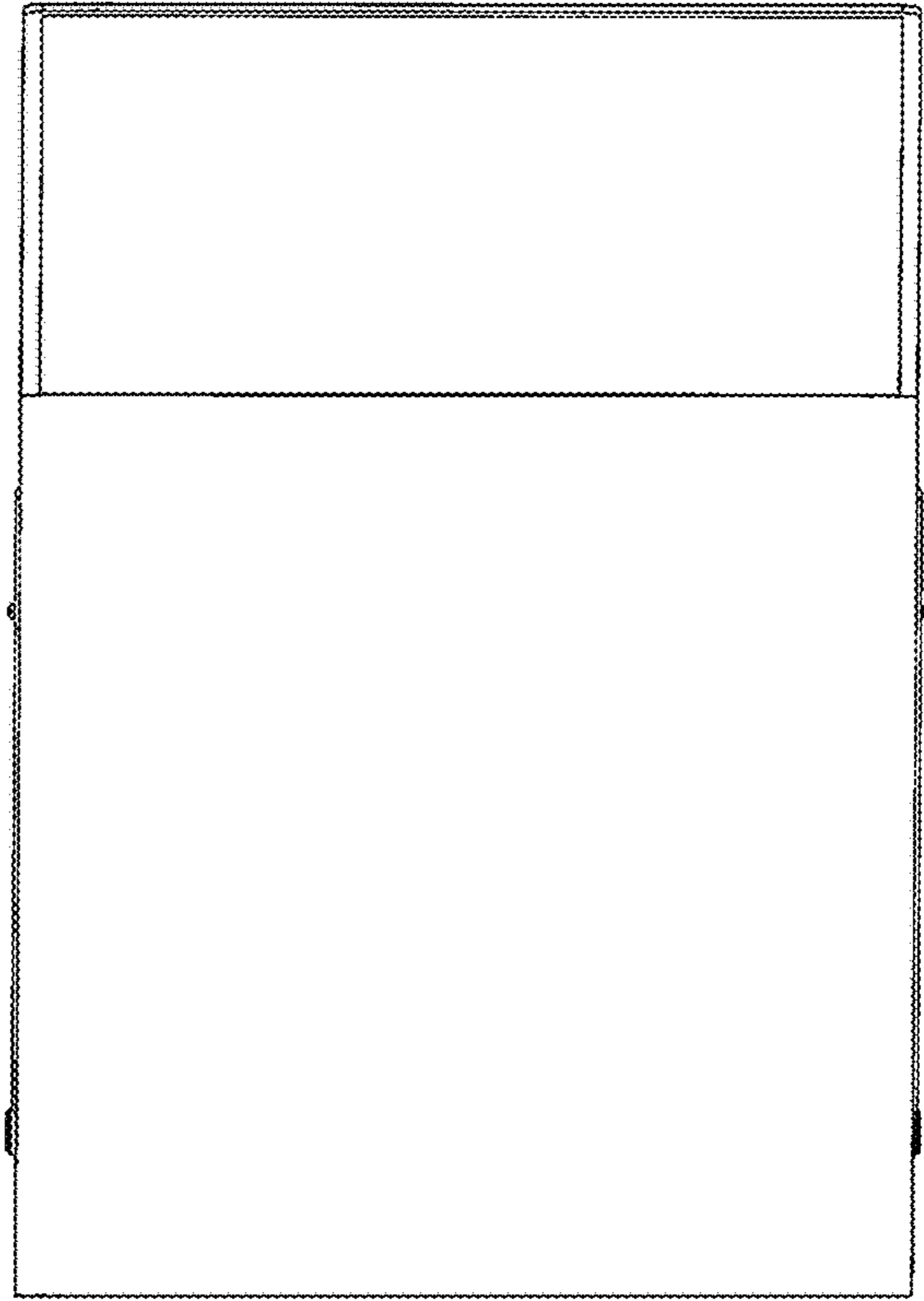


FIG. 6

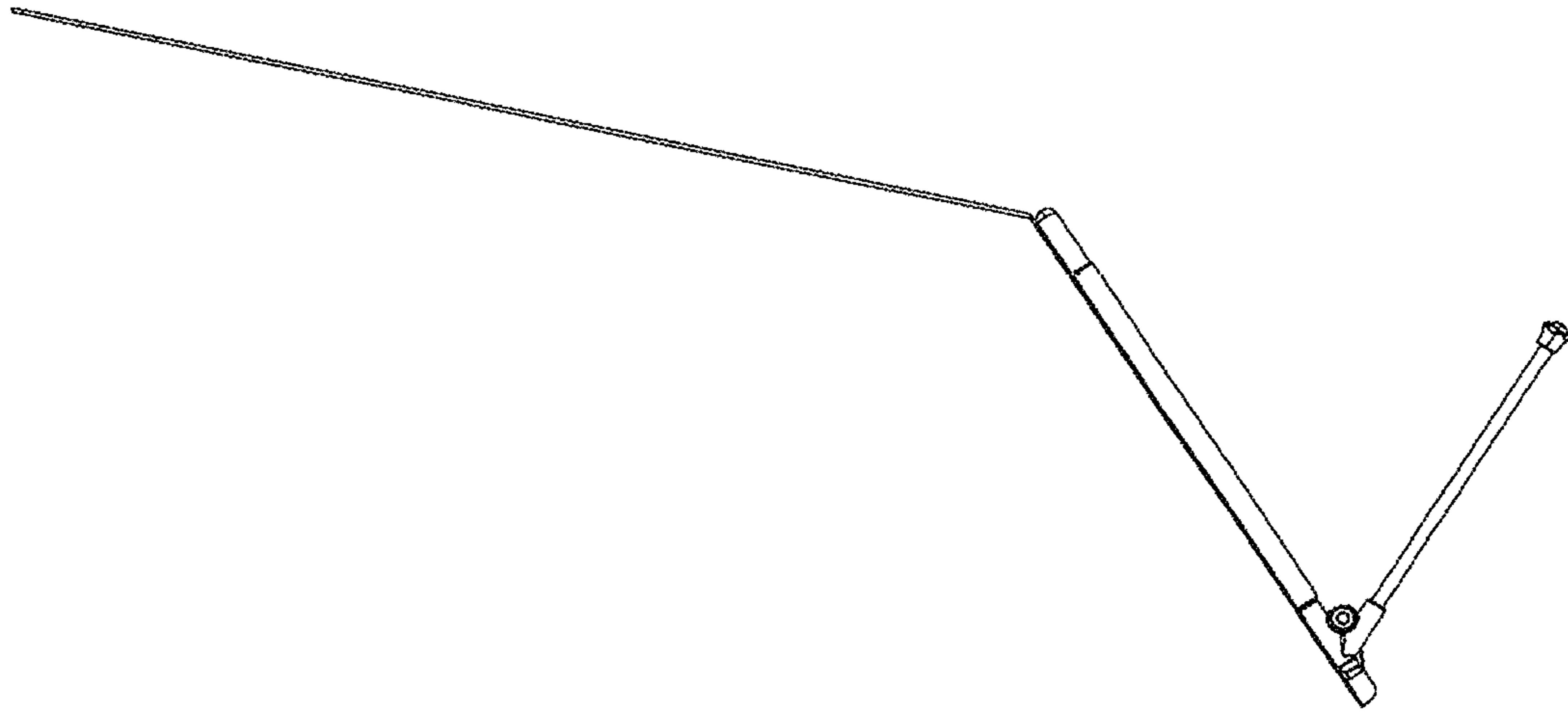


FIG.7

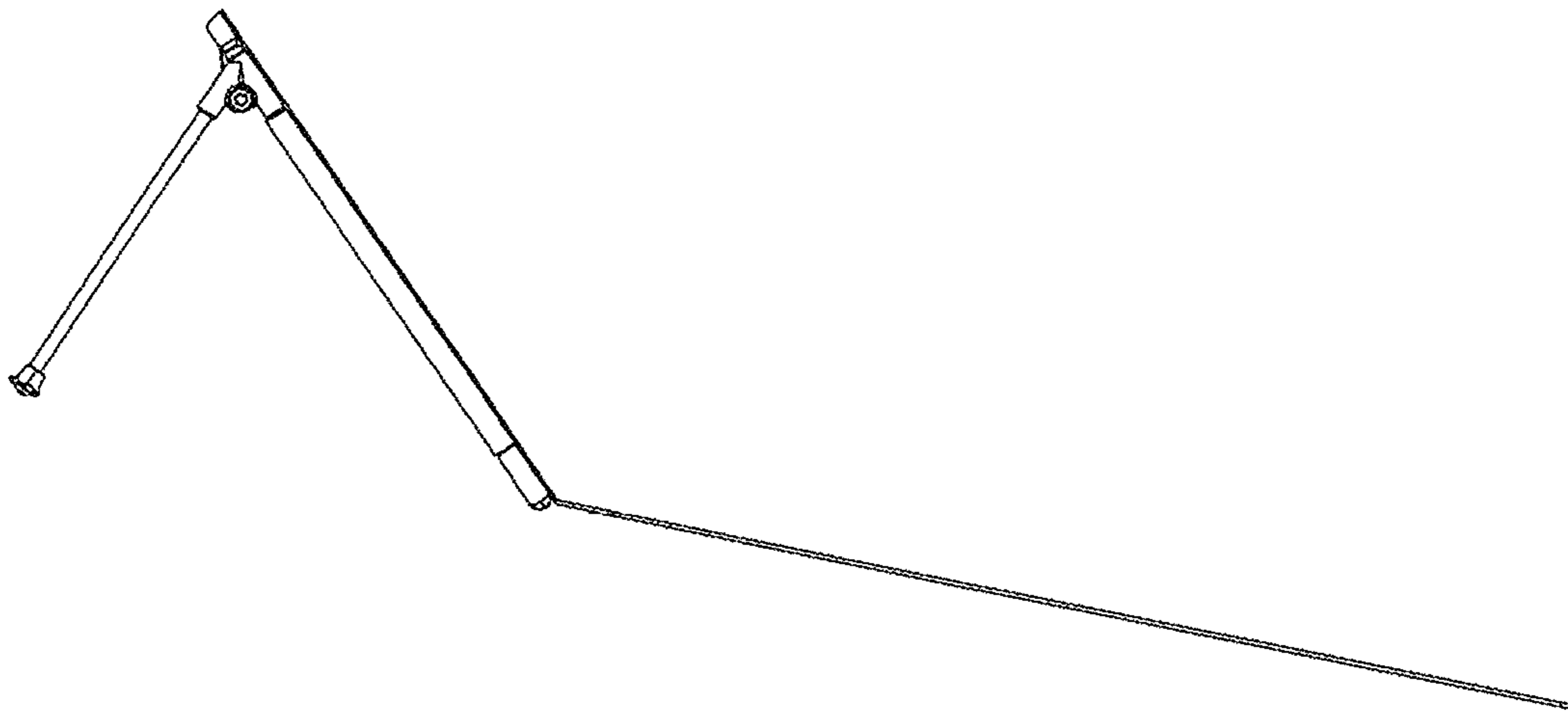


FIG.8