



US00D902618S

(12) **United States Design Patent**  
**Fanizzi**

(10) **Patent No.:** **US D902,618 S**

(45) **Date of Patent:** **\*\* Nov. 24, 2020**

(54) **FURNITURE SEATING SET**

(71) Applicant: **Cosmo Fanizzi**, Syracuse, NY (US)

(72) Inventor: **Cosmo Fanizzi**, Syracuse, NY (US)

(\*\*) Term: **15 Years**

(21) Appl. No.: **29/677,850**

(22) Filed: **Jan. 24, 2019**

(51) **LOC (12) Cl.** ..... **06-01**

(52) **U.S. Cl.**

USPC ..... **D6/371; D6/334**

(58) **Field of Classification Search**

USPC ..... D6/329, 334, 367-376, 358-383, 353,  
D6/335-340, 352, 377-383, 392-395,  
D6/710-712, 716, 716.1, 716.2, 716.3;  
297/440.1, 440.21, 452.14

CPC .. A47C 11/00; A47C 4/02; A47C 4/03; A47C  
4/08; A47C 4/024; A47C 4/025; A47C  
4/028; A47C 5/04; A47C 7/16; A47C  
5/12; A47C 7/36; A47C 7/40; A47C

(Continued)

(56) **References Cited**

**U.S. PATENT DOCUMENTS**

D265,443 S \* 7/1982 Webb ..... D6/377  
D392,470 S \* 3/1998 Smith ..... D6/334

(Continued)

**FOREIGN PATENT DOCUMENTS**

CN 300831597 \* 7/2007  
CN 304338477 \* 5/2017

(Continued)

**OTHER PUBLICATIONS**

Bludot, Couch, Date first available Sep. 4, 2015, [online]retrieved  
Jun. 8, 2020, available from internet <https://www.instagram.com/bludot/> (Year: 2015).\*

(Continued)

*Primary Examiner* — Keli L Hill

*Assistant Examiner* — Sara S Sahneh

(57) **CLAIM**

The ornamental design for furniture seating set, as shown and described.

**DESCRIPTION**

FIG. 1 is a perspective view of one embodiment of a new and ornamental design for a furniture seating set in the style of a sofa;

FIG. 2 is a front plan view of the furniture seating set shown in FIG. 1;

FIG. 3 is a rear plan view of the furniture seating set shown in FIG. 1;

FIG. 4 is a side elevation view of the furniture seating set shown in FIG. 1.

FIG. 5 is an opposite side elevation view of the furniture seating set shown in FIG. 1;

FIG. 6 is a top plan view of the furniture seating set shown in FIG. 1;

FIG. 7 is a bottom plan view of the furniture seating set shown in FIG. 1;

FIG. 8 is a perspective view of another embodiment of a new and ornamental design for a furniture seating set in the style of a love seat or chair;

FIG. 9 is a front plan view of the furniture seating set shown in FIG. 8;

FIG. 10 is a rear plan view of the furniture seating set shown in FIG. 8;

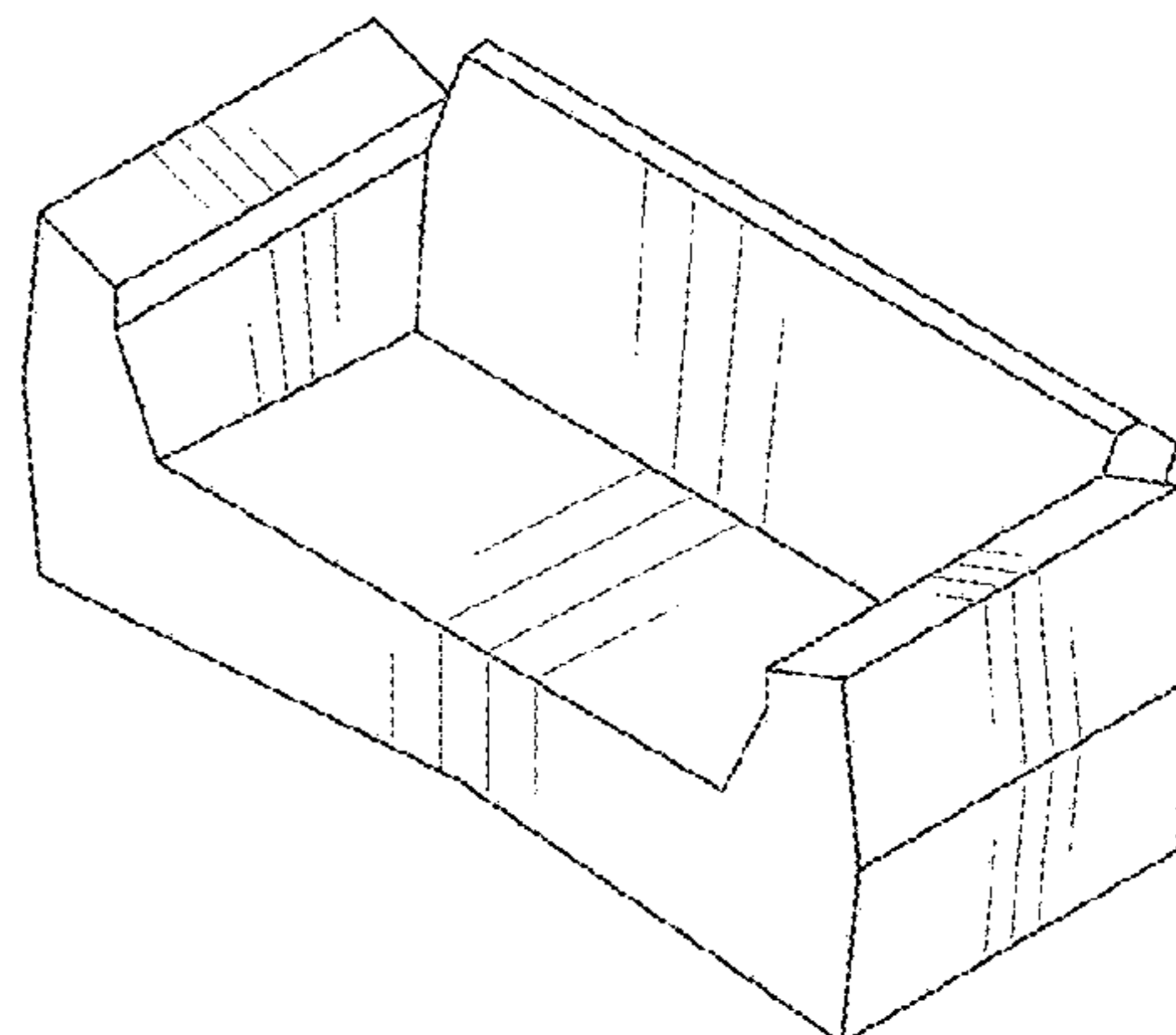
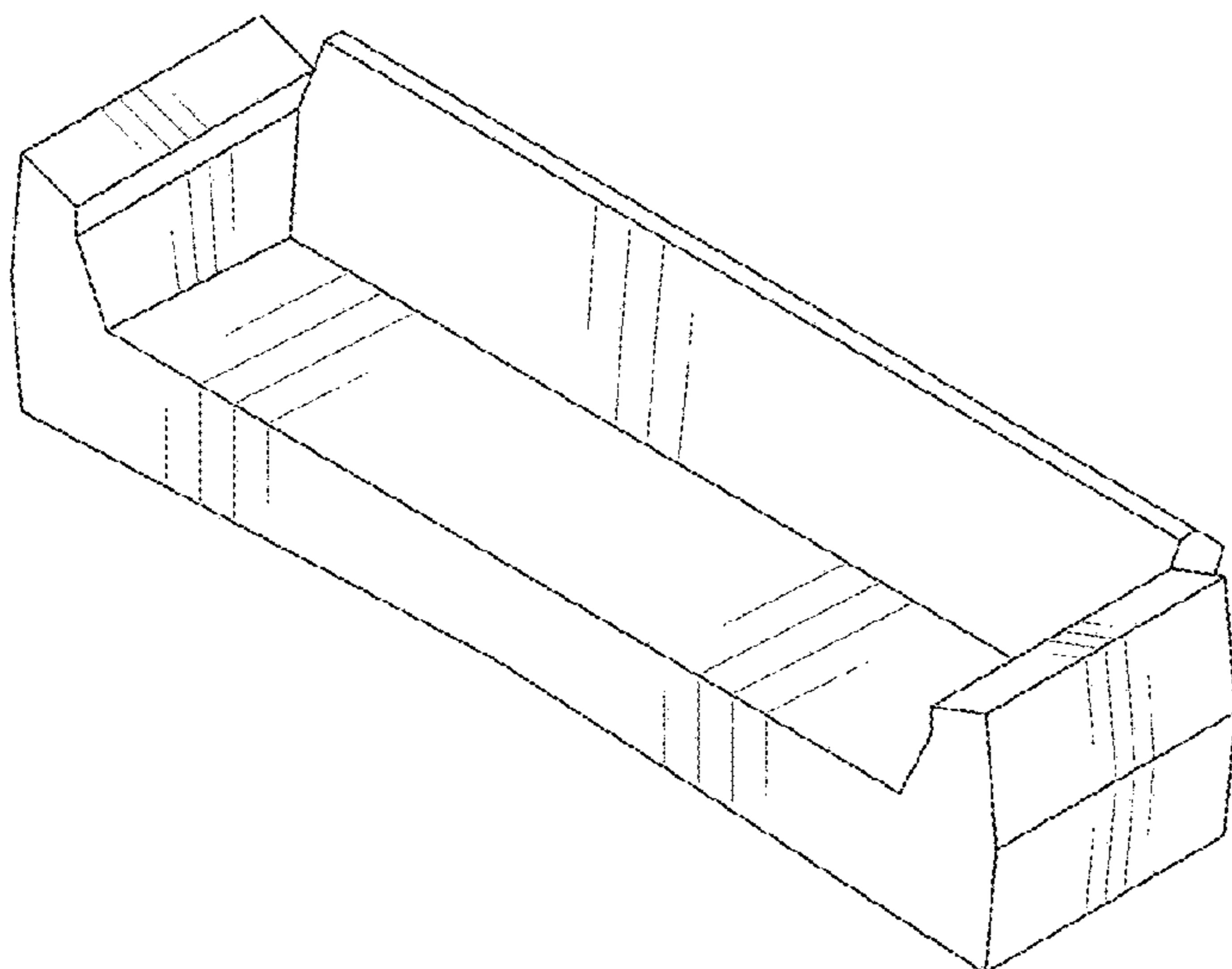
FIG. 11 is a side elevation view of the furniture seating set shown in FIG. 8;

FIG. 12 is an opposite side elevation view of the furniture seating set shown in FIG. 8;

FIG. 13 is a top plan view of the furniture seating set shown in FIG. 8; and,

FIG. 14 is a bottom plan view of the furniture seating set shown in FIG. 8.

**1 Claim, 14 Drawing Sheets**



(58) **Field of Classification Search**

CPC ..... 13/023; A47C 5/08; A47C 9/007; A47C  
17/175; A47C 13/005; A47C 11/005;  
A47C 4/021; A47C 4/286; A47C 1/14;  
F16B 5/0012; A47B 47/0075; A47B 3/06  
See application file for complete search history.

(56) **References Cited**

U.S. PATENT DOCUMENTS

D495,518	S	*	9/2004	Ricci	.....	D6/334
D617,571	S	*	6/2010	Andersen	.....	D6/381
D618,929	S	*	7/2010	Yeong	.....	D6/381
D639,083	S	*	6/2011	Martin	.....	D6/381
D737,068	S	*	8/2015	Lenhart	.....	D6/373
D737,588	S	*	9/2015	Lenhart	.....	D6/373
D737,589	S	*	9/2015	Lenhart	.....	D6/373
D760,509	S	*	7/2016	Wu	.....	D6/371
D815,851	S	*	4/2018	Rafieha	.....	D6/381
D874,178	S	*	2/2020	Williams, Jr.	.....	D6/381
2015/0359340	A1	*	12/2015	George, II	.....	A47C 7/021 297/228.1

FOREIGN PATENT DOCUMENTS

CN	304915825	*	6/2018
KR	300827440.0000	*	5/2015

OTHER PUBLICATIONS

Bludot, Couchoid 92" Sofa,[online]retrieved Jun. 8, 2020, available  
from internet [https://www.bludot.com/print/product/html/id/1999/  
simple\\_id/1355/](https://www.bludot.com/print/product/html/id/1999/simple_id/1355/) (Year: 2020).\*

\* cited by examiner

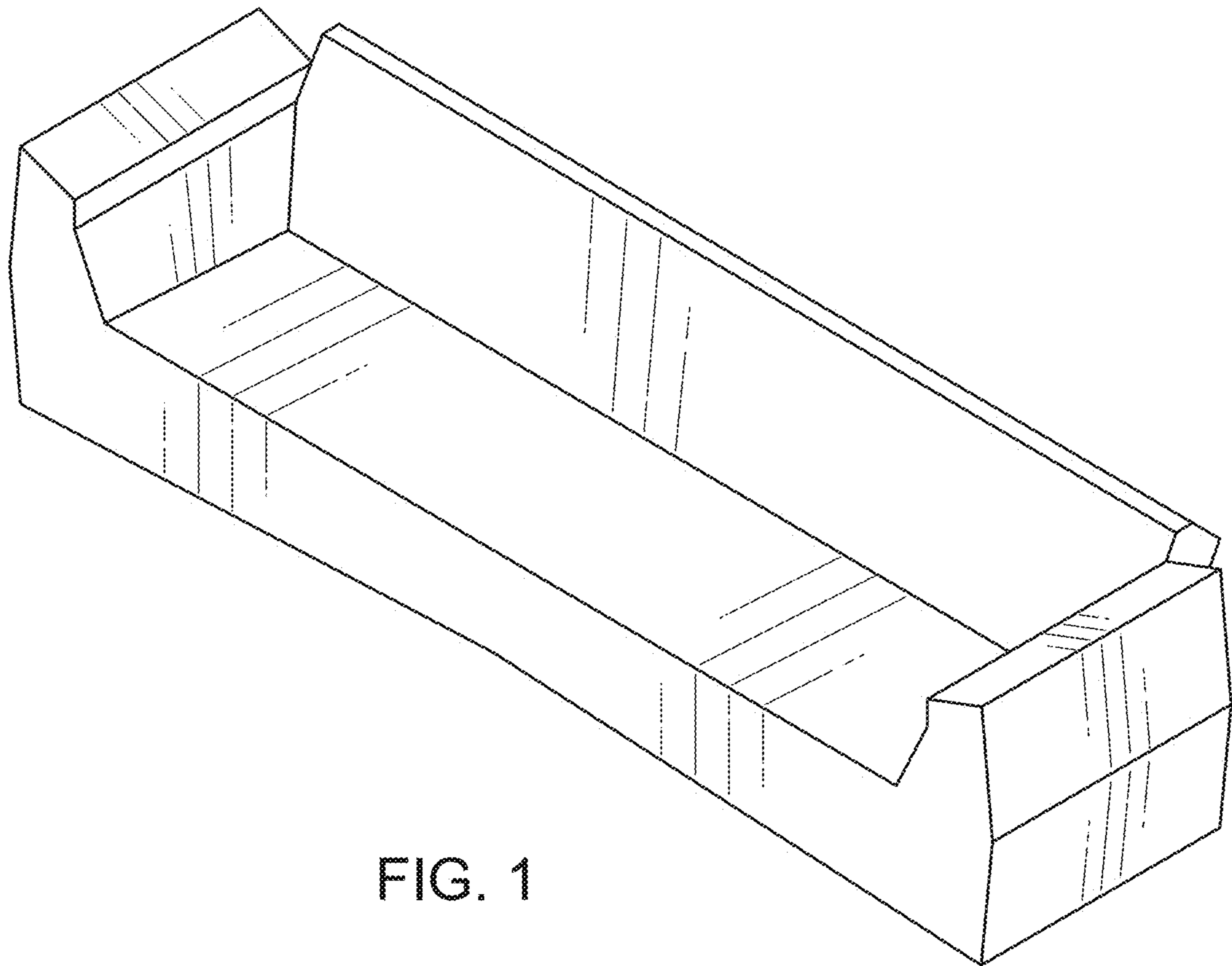


FIG. 1

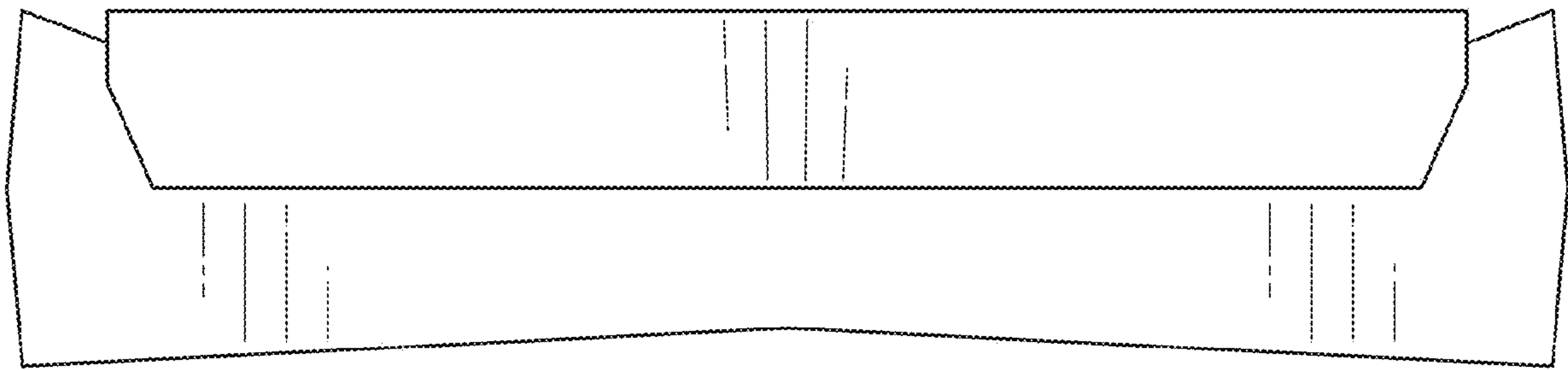


FIG. 2

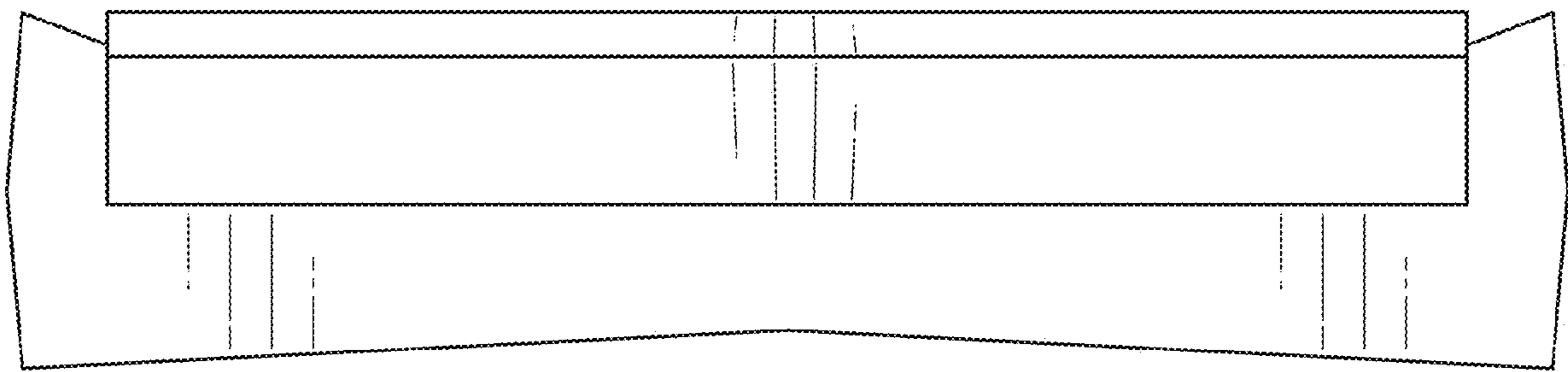


FIG. 3

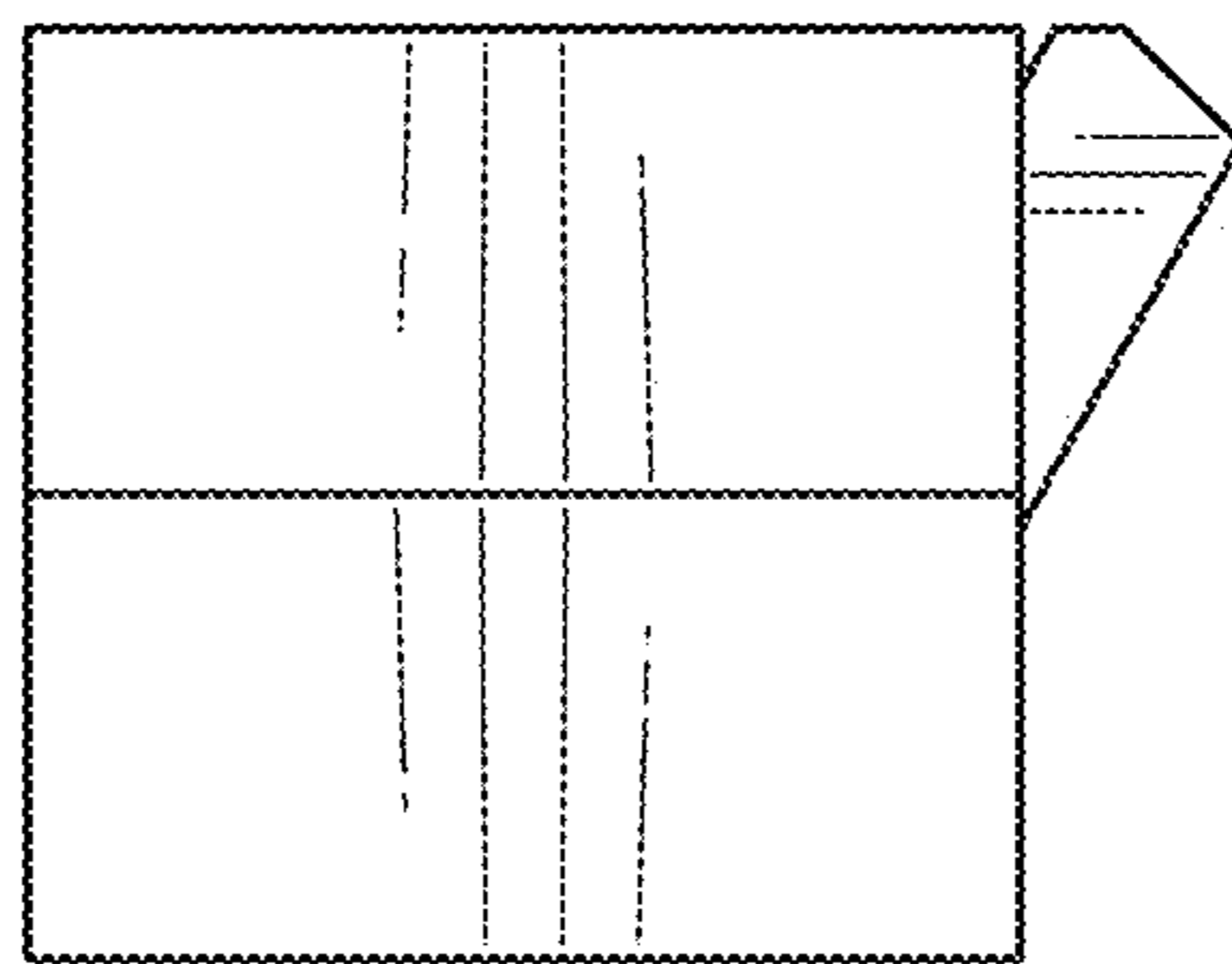


FIG. 4

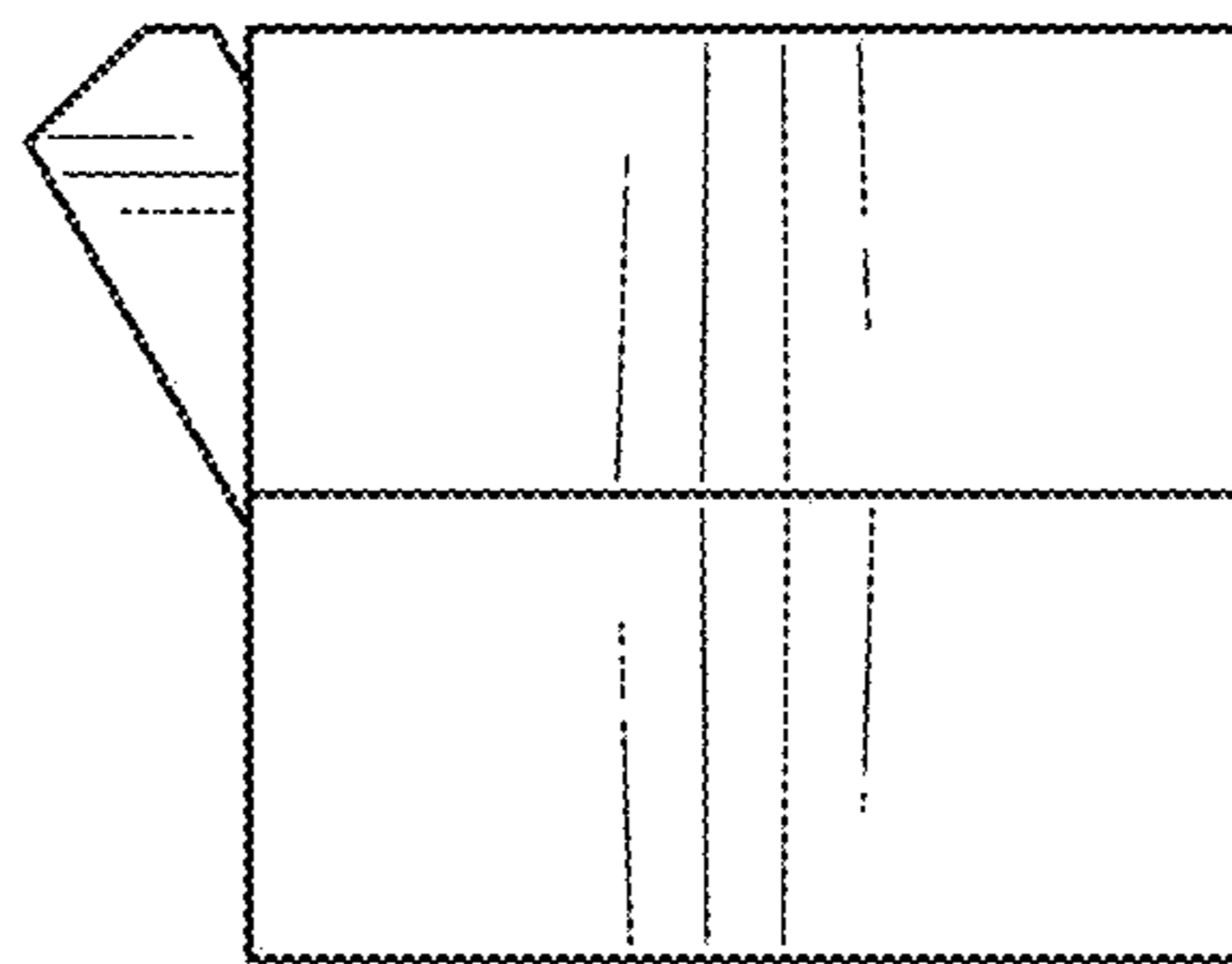


FIG. 5

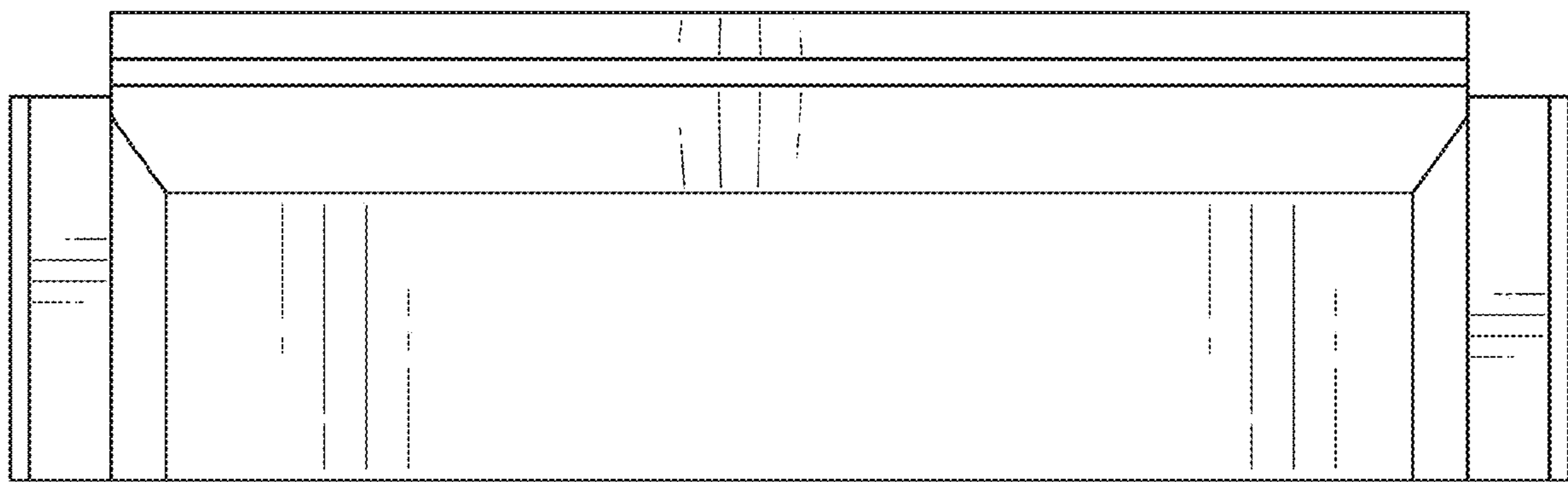


FIG. 6



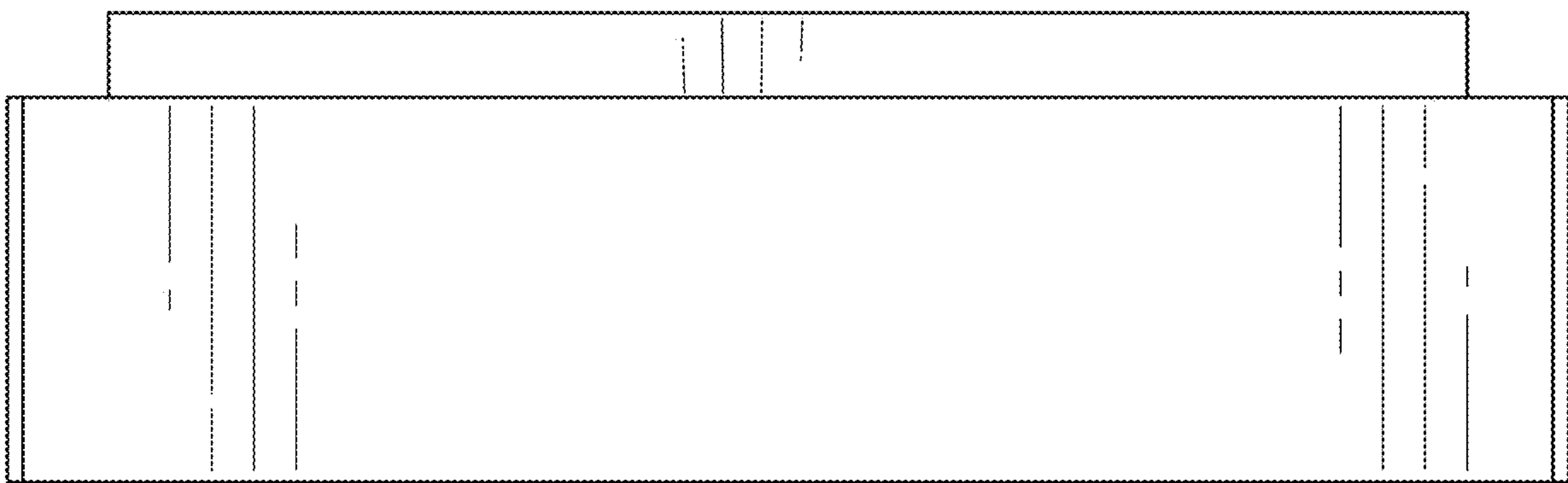


FIG. 7

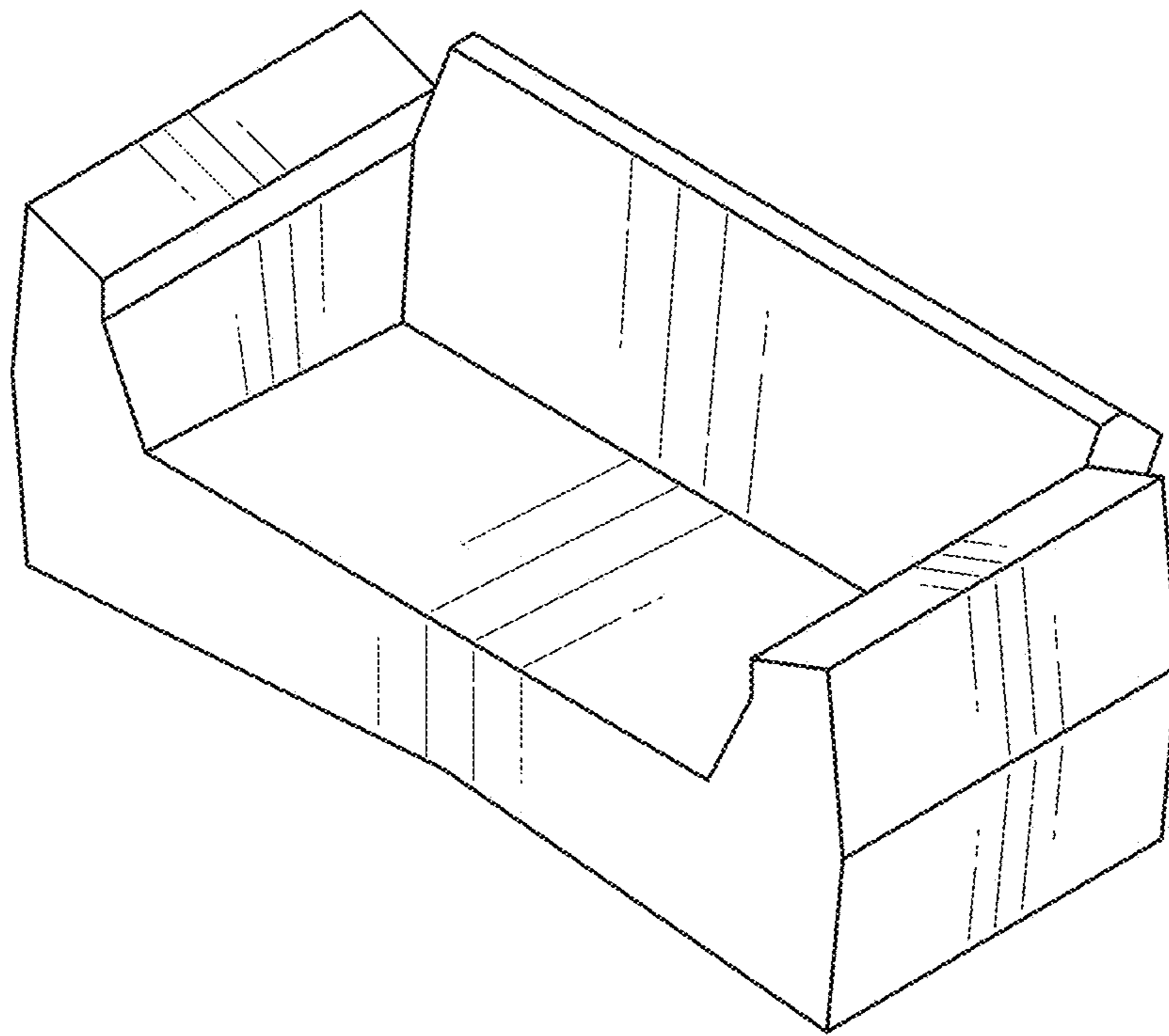


FIG. 8

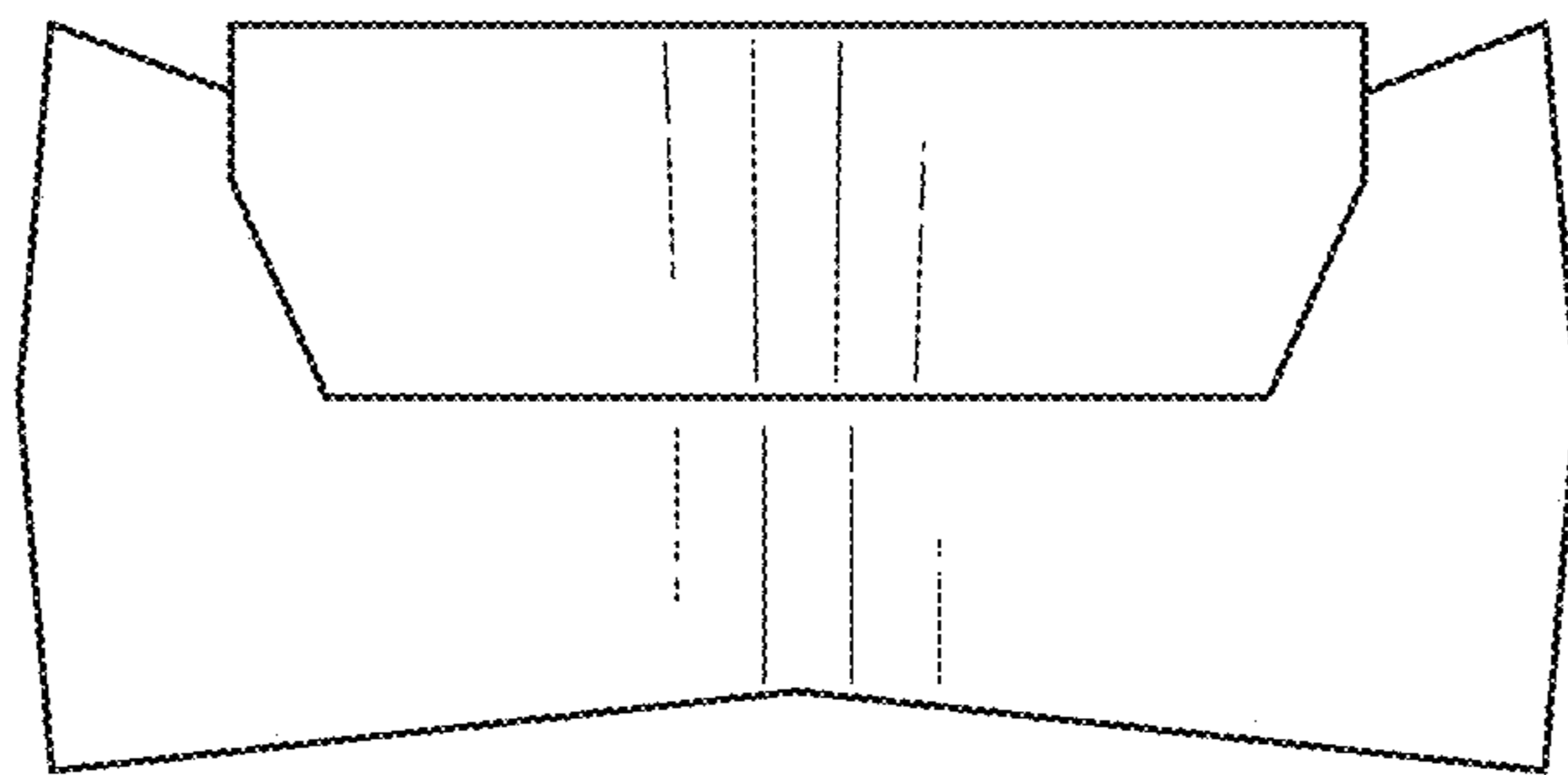


FIG. 9

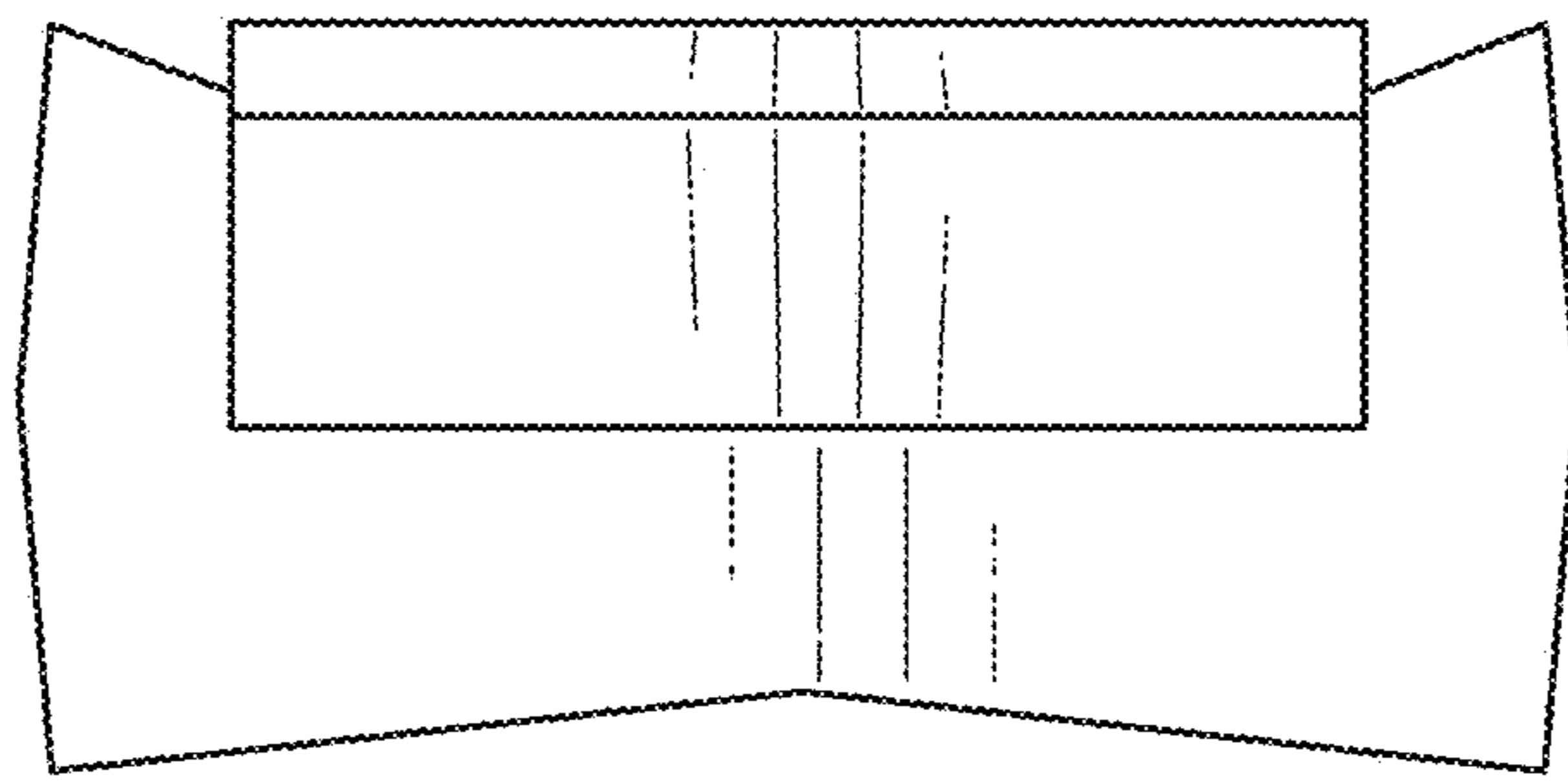


FIG. 10

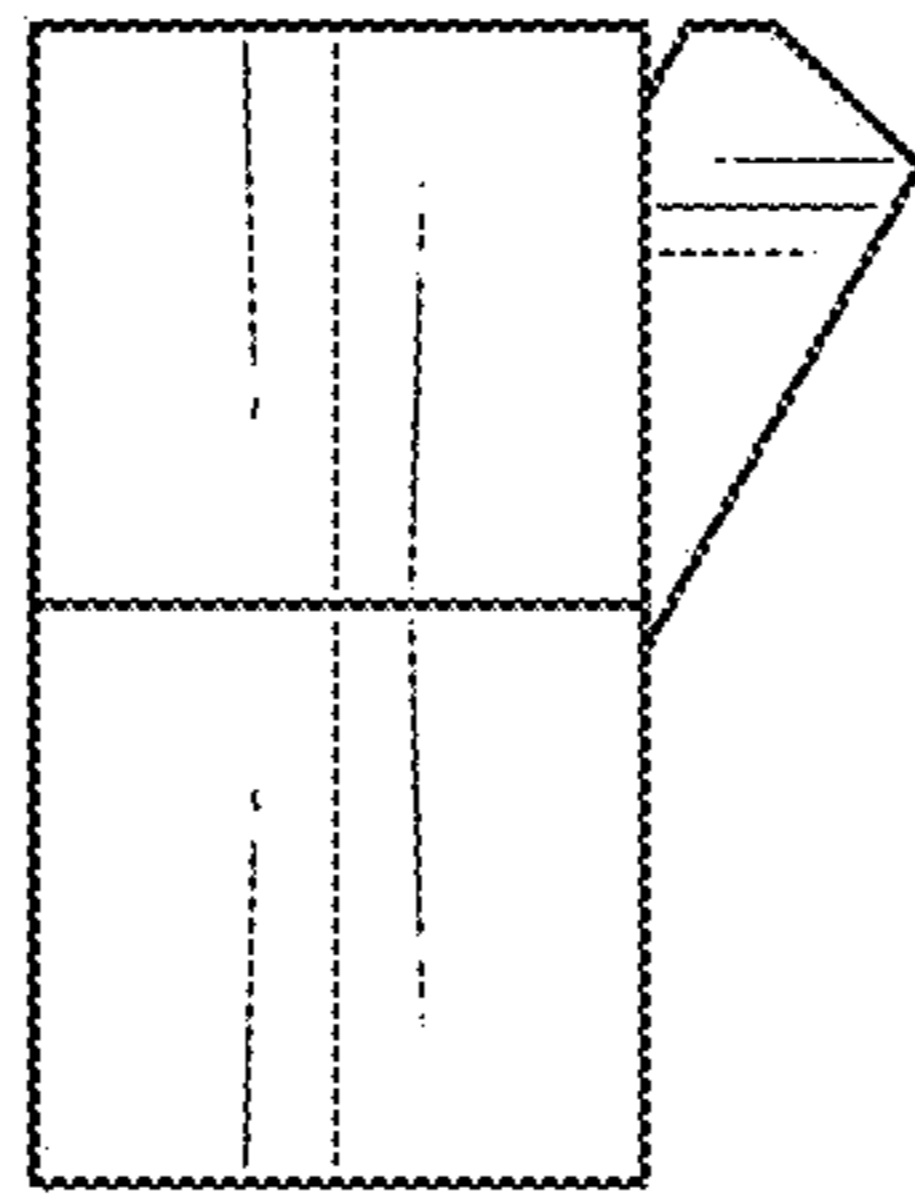


FIG. 11

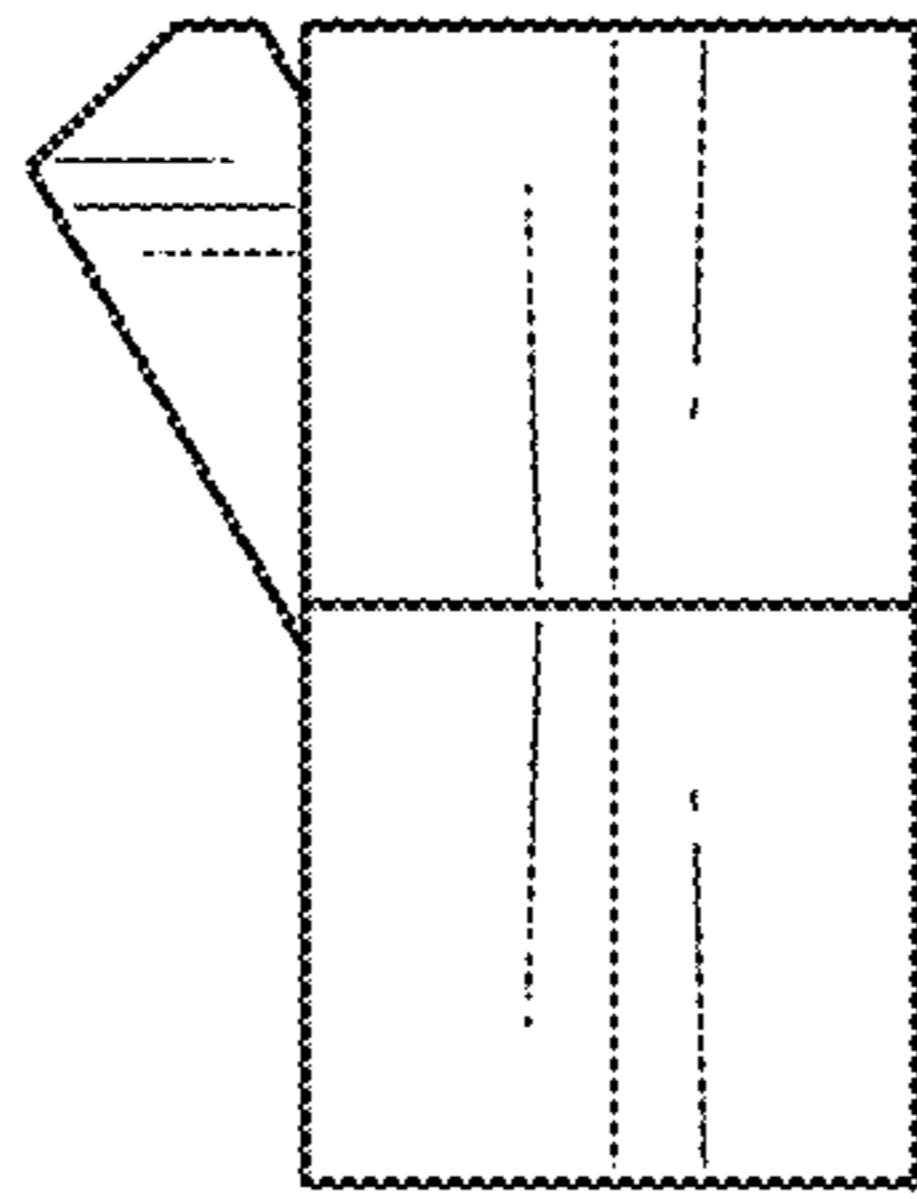


FIG. 12

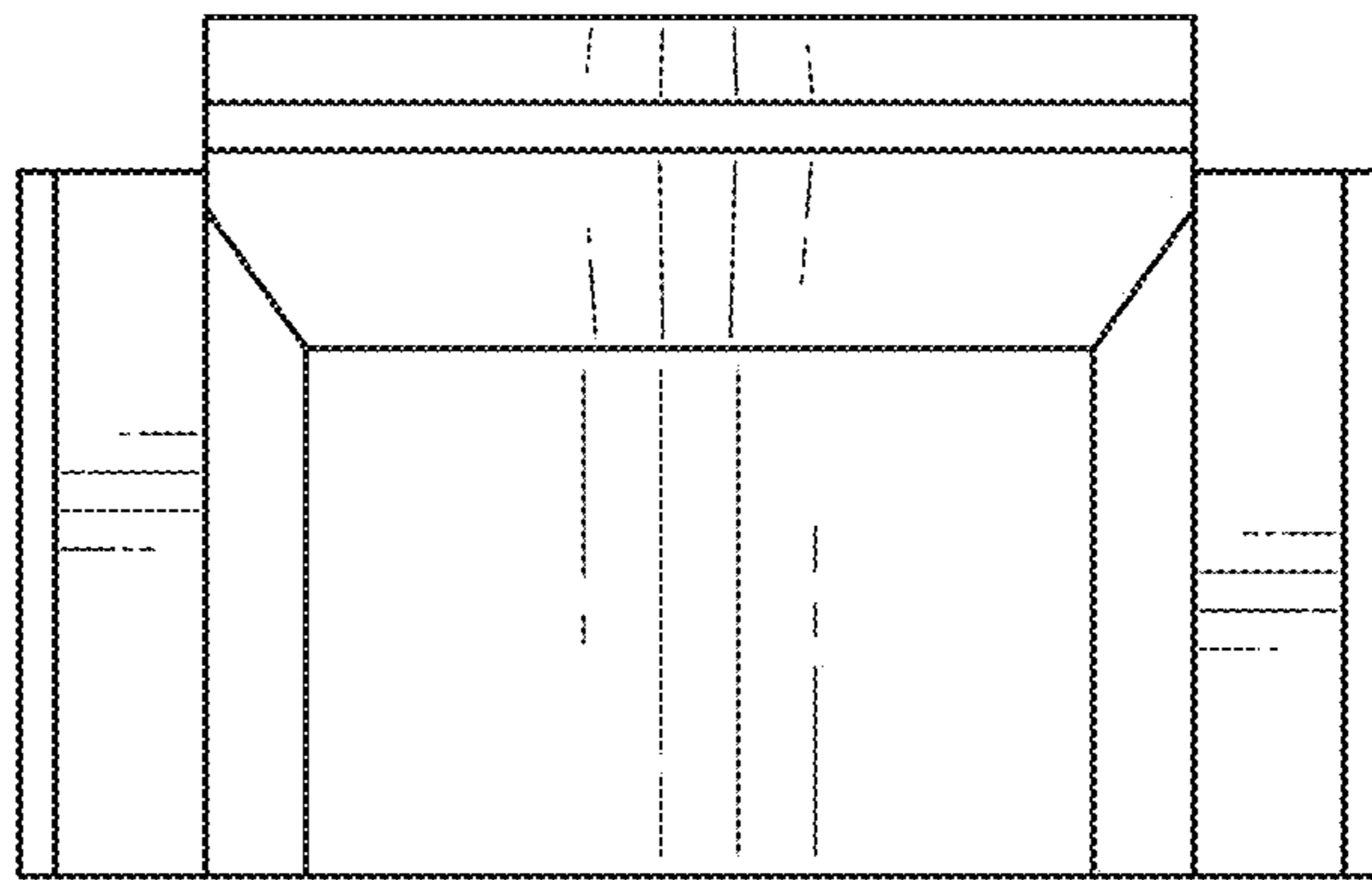


FIG. 13

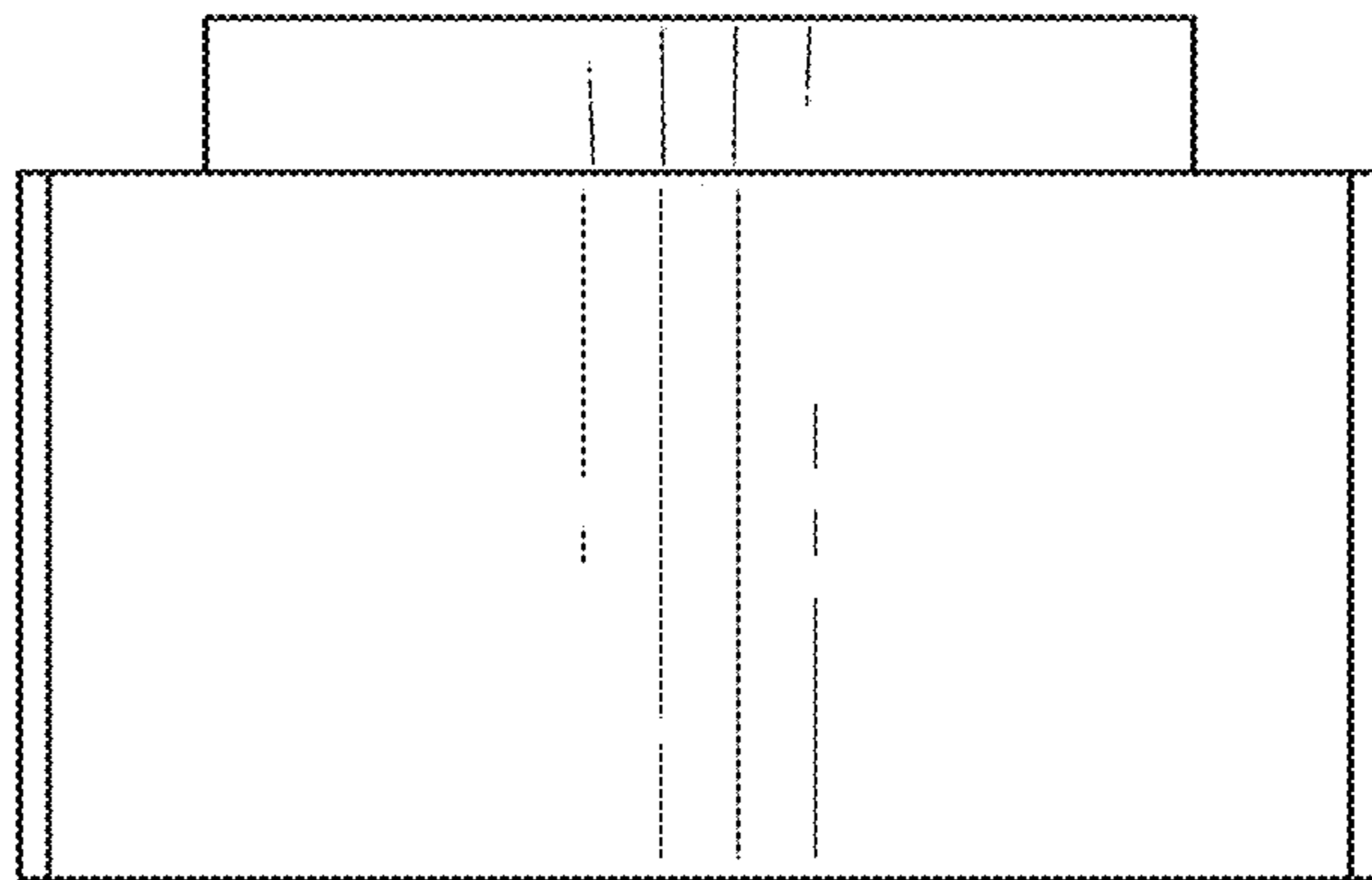


FIG. 14