



US00D902617S

(12) **United States Design Patent**
Sullivan et al.

(10) **Patent No.:** **US D902,617 S**
(45) **Date of Patent:** **** Nov. 24, 2020**

(54) **PORTABLE CHAIR**

(71) Applicant: **YETI Coolers, LLC**, Austin, TX (US)

(72) Inventors: **Derek G. Sullivan**, Austin, TX (US);
Andrew J. Winterhalter, Austin, TX (US); **John W. Dow**, Austin, TX (US);
Donald Edward Desroches, Austin, TX (US)

(73) Assignee: **YETI Coolers, LLC**, Austin, TX (US)

(**) Term: **15 Years**

(21) Appl. No.: **29/676,773**

(22) Filed: **Jan. 14, 2019**

(51) **LOC (12) Cl.** **06-01**

(52) **U.S. Cl.**
USPC **D6/368**

(58) **Field of Classification Search**

USPC ... D6/29, 334, 358-383, 353, 335-340, 352,
D6/392-395, 710-712, 716, 716.1, 716.2,
D6/716.3, 708.24, 716.4, 716.5;
297/440.1, 440.21, 452.14
CPC .. A47C 11/00; A47C 4/02; A47C 4/03; A47C
4/08; A47C 4/024; A47C 4/025; A47C
4/028; A47C 5/04; A47C 7/16; A47C
5/12; A47C 7/36; A47C 7/40; A47C
9/007; A47C 13/023; A47C 5/08; A47C
17/175; A47C 13/005; A47C 11/005;
A47C 1/14; F16B 5/0012; A47B 47/0075;
A47B 3/06

See application file for complete search history.

(56) **References Cited**

U.S. PATENT DOCUMENTS

2,088,644 A 8/1937 Erpelding et al.
3,736,021 A 5/1973 MacLaren
3,881,739 A 5/1975 Laune

(Continued)

FOREIGN PATENT DOCUMENTS

BE 484542 A 9/2010
CN 2102679 U 4/1992

(Continued)

OTHER PUBLICATIONS

Alpha Camp, Alpha Camp Oversized Camping Folding Chair Heavy Duty Steel Frame, Date first available May 3, 2019, [online] retrieved Jun. 1, 2020, available from internet, www.amazon.com (Year: 2019).*

(Continued)

Primary Examiner — Keli L Hill

Assistant Examiner — Sara S Sahneh

(74) *Attorney, Agent, or Firm* — Banner & Witcoff, Ltd.

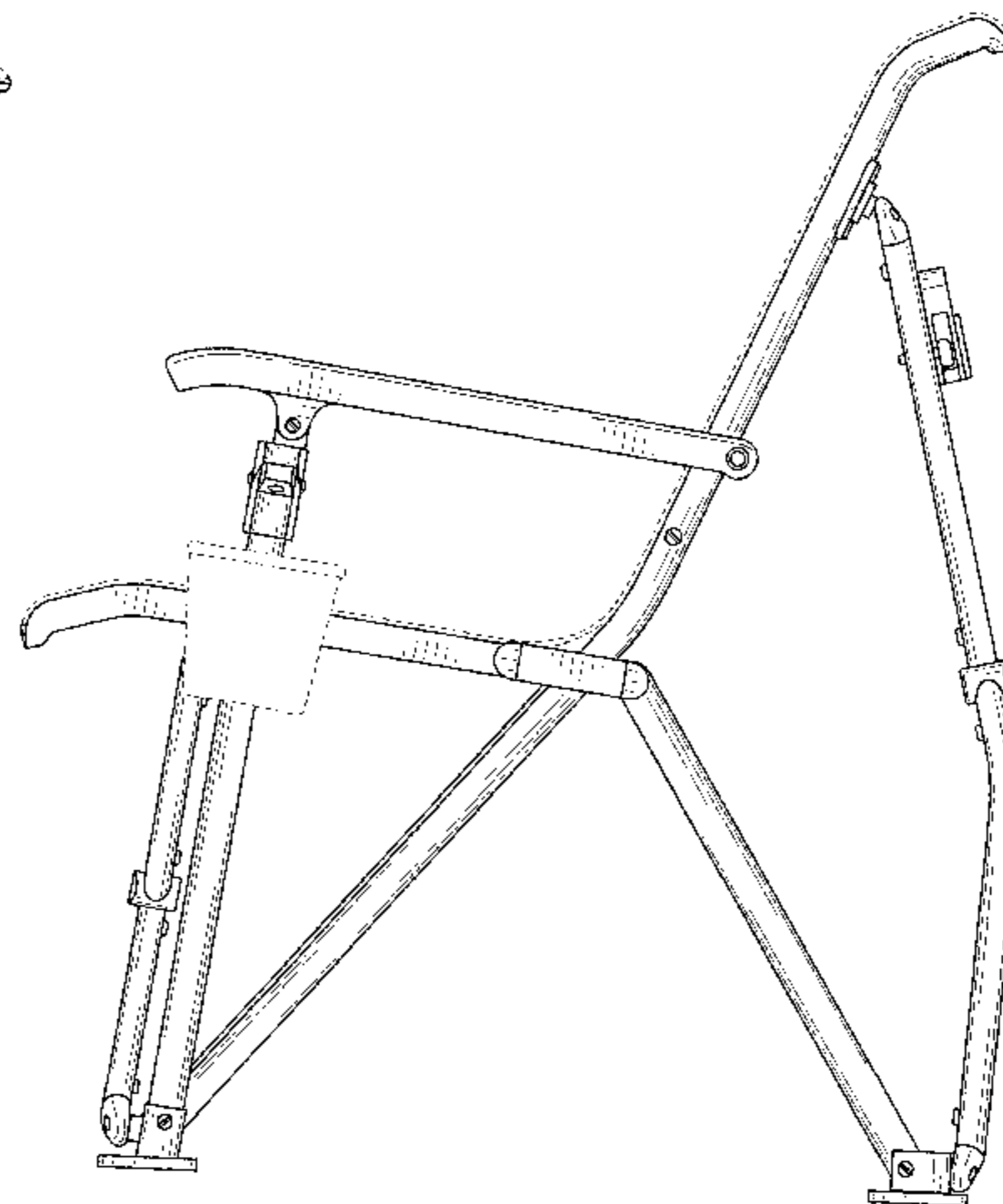
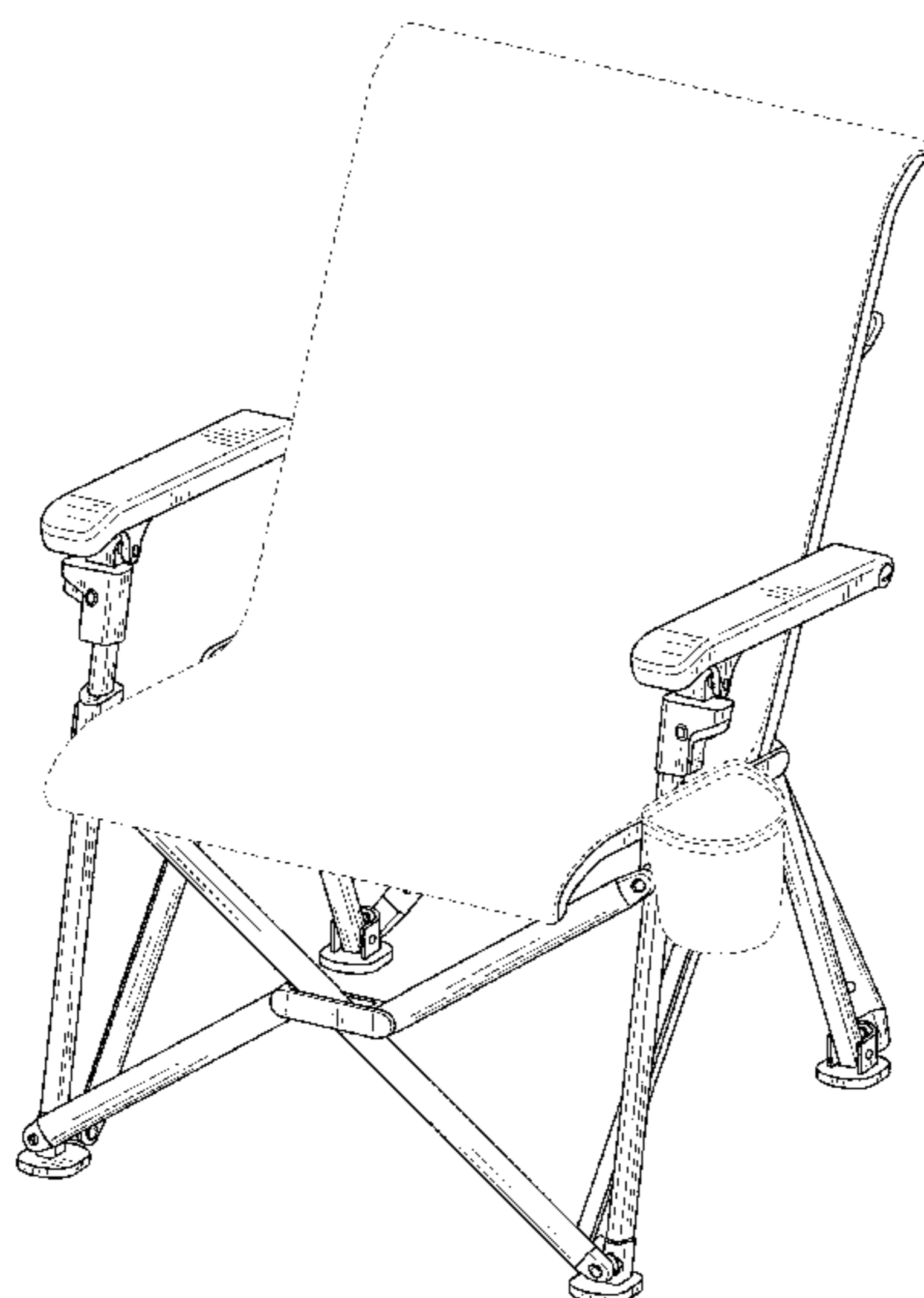
(57) **CLAIM**

The ornamental design for a portable chair, as shown and described.

DESCRIPTION

FIG. 1 is a top, front, right perspective view of a portable chair showing our new design;
FIG. 2 is a front view thereof;
FIG. 3 is a rear view thereof;
FIG. 4 is a right side view thereof;
FIG. 5 is a left side view thereof;
FIG. 6 is a top view thereof;
FIG. 7 is a bottom view thereof;
FIG. 8 is a folded front view of an alternative claimed configuration of a portable chair showing our new design thereof;
FIG. 9 is a folded back view thereof; and,
FIG. 10 is a folded left side view thereof.
The broken lines immediately adjacent to the shaded area define the bounds of the claimed design and form no part thereof. The broken lines depicting the remainder of the portable chair show features that form no part of the claimed design.

1 Claim, 10 Drawing Sheets



(56)

References Cited

U.S. PATENT DOCUMENTS

4,029,279 A 6/1977 Nakatani
 4,077,641 A 3/1978 Perego et al.
 4,216,974 A 8/1980 Kassai
 4,232,897 A 11/1980 Maclaren et al.
 4,335,893 A 6/1982 Carmichael et al.
 4,545,599 A 10/1985 Kassai
 4,596,484 A 6/1986 Nakatani
 4,761,092 A 8/1988 Nakatani
 4,932,622 A 6/1990 Hayakawa
 5,058,950 A 10/1991 Mann
 5,348,415 A 9/1994 Carlsson
 5,769,447 A 6/1998 Huang
 5,775,352 A 7/1998 Obitts
 5,851,052 A 12/1998 Gustafsson
 5,863,061 A 1/1999 Ziegler et al.
 6,082,813 A 7/2000 Chen
 D431,382 S * 10/2000 Eloge D6/368
 D432,325 S * 10/2000 Zheng D6/368
 6,247,749 B1 6/2001 Yu
 6,270,156 B1 8/2001 Metzger et al.
 6,371,553 B1 4/2002 Tang
 6,402,230 B1 6/2002 Tang
 6,419,311 B1 7/2002 Tang
 6,471,287 B1 10/2002 Liu
 6,536,723 B1 3/2003 Nakatani
 6,598,841 B2 7/2003 Erickson et al.
 6,601,912 B1 * 8/2003 Chen A47C 4/286
 297/38
 6,629,722 B1 10/2003 Tang
 6,644,731 B2 11/2003 Tang
 D500,605 S * 1/2005 Schmidt D6/336
 6,840,574 B1 1/2005 Wu
 6,908,249 B2 6/2005 Tomm
 6,913,231 B2 7/2005 Speggiorin
 7,017,985 B2 3/2006 Chen
 7,100,975 B1 9/2006 Zheng
 D532,621 S * 11/2006 Lin D6/368
 7,500,715 B1 3/2009 Chen
 7,641,276 B1 1/2010 Chen
 8,100,429 B2 1/2012 Longenecker et al.
 8,104,838 B2 1/2012 Tsai
 8,251,442 B2 8/2012 Grace
 8,459,741 B2 6/2013 Mazzola et al.
 8,678,490 B2 3/2014 Chen
 8,696,052 B2 4/2014 Zhu
 8,714,643 B2 5/2014 Obolewicz et al.
 8,727,655 B2 5/2014 Lu et al.
 8,820,825 B2 9/2014 Yang
 8,864,222 B2 10/2014 Grace
 8,979,192 B2 3/2015 Miller
 9,095,216 B2 8/2015 Miller
 9,451,829 B2 9/2016 Chen
 D806,423 S * 1/2018 Silva D6/368
 9,913,537 B2 3/2018 Piretti
 9,974,388 B1 5/2018 Lv
 9,993,082 B2 6/2018 Choi
 9,993,083 B2 6/2018 Choi
 10,104,971 B1 10/2018 Yang
 10,292,503 B2 5/2019 Brown
 D855,343 S * 8/2019 Haingaertner D6/368
 2003/0025360 A1 2/2003 Liu

2003/0025361 A1 2/2003 Liu
 2006/0186712 A1 8/2006 Lu et al.
 2007/0228780 A1 10/2007 Grace
 2009/0146468 A1 6/2009 Schneider
 2009/0174230 A1 7/2009 Chen
 2010/0171342 A1 7/2010 Chen
 2010/0295338 A1 11/2010 Crowe
 2010/0314914 A1 12/2010 Mazzola et al.
 2011/0169305 A1 7/2011 Ayre et al.
 2014/0097647 A1 4/2014 Grace
 2014/0217784 A1 8/2014 Chen
 2014/0306493 A1 10/2014 Obolewicz et al.
 2016/0081479 A1 3/2016 Lin
 2016/0100688 A1 4/2016 Grace
 2016/0135600 A1 5/2016 Chen
 2017/0202355 A1 7/2017 Reed
 2019/0090667 A1 3/2019 Mason et al.
 2019/0104850 A1 * 4/2019 Frankel A47C 4/286
 2019/0216222 A1 * 7/2019 Winterhalter A47C 4/42
 2019/0298066 A1 * 10/2019 Zhu A47C 4/30

FOREIGN PATENT DOCUMENTS

CN 201001527 Y 1/2008
 CN 202236165 U 5/2012
 CN 202515069 U 11/2012
 CN 302684929 * 7/2013
 CN 104643681 A 5/2015
 CN 303763101 * 3/2016
 CN 105615364 A 6/2016
 CN 106617546 A 5/2017
 CN 107348734 A 11/2017
 CN 304803670 * 2/2018
 CN 207349221 U 5/2018
 CN 207421059 U 5/2018
 CN 207653880 U 7/2018
 CN 305151099 * 9/2018
 CN 208708874 U 4/2019
 CN 305730506 * 11/2019
 ES 279347 A1 1/1963
 JP 2010099238 A 5/2010
 KR 300686541.0000 * 2/2012
 KR 20170099158 A 8/2017
 KR 300993886.0000 * 3/2018
 NL 1001847 C1 6/1997
 WO 0040122 A1 7/2000
 WO 13029089 A1 3/2013
 WO 2016150254 A1 9/2016
 WO 17133369 A1 8/2017

OTHER PUBLICATIONS

Fundango, Fundango Lumbar Support Strong Stable Heavy Duty Folding Deluxe Camping Chair, [online]retrieved Jun. 1, 2020, available from internet, www.amazon.com (Year: 2020).
 Yeti, Trailhead Camp Chair, [online]retrieved Jun. 4, 2020, available from internet, https://www.fieldandstreamshop.com/p/yeti-trailhead-camp-chair-20yetutrlhdcmpchrrec/20yetutrlhdcmpchrrec (Year: 2020).
 Mar. 21, 2019—(PCT) International Search Report and Written Opinion—App PCT/US2019/013511.

* cited by examiner

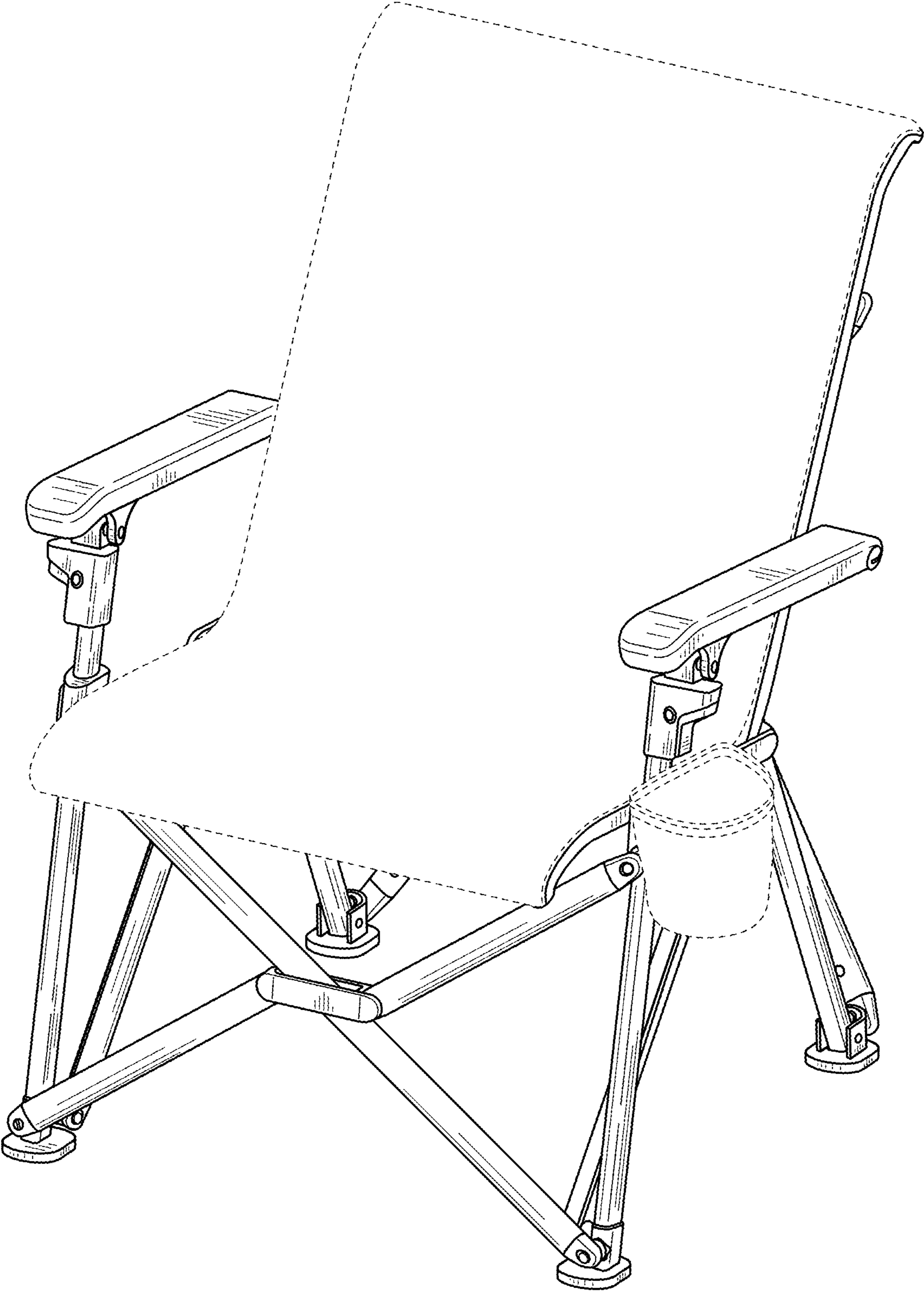


FIG. 1

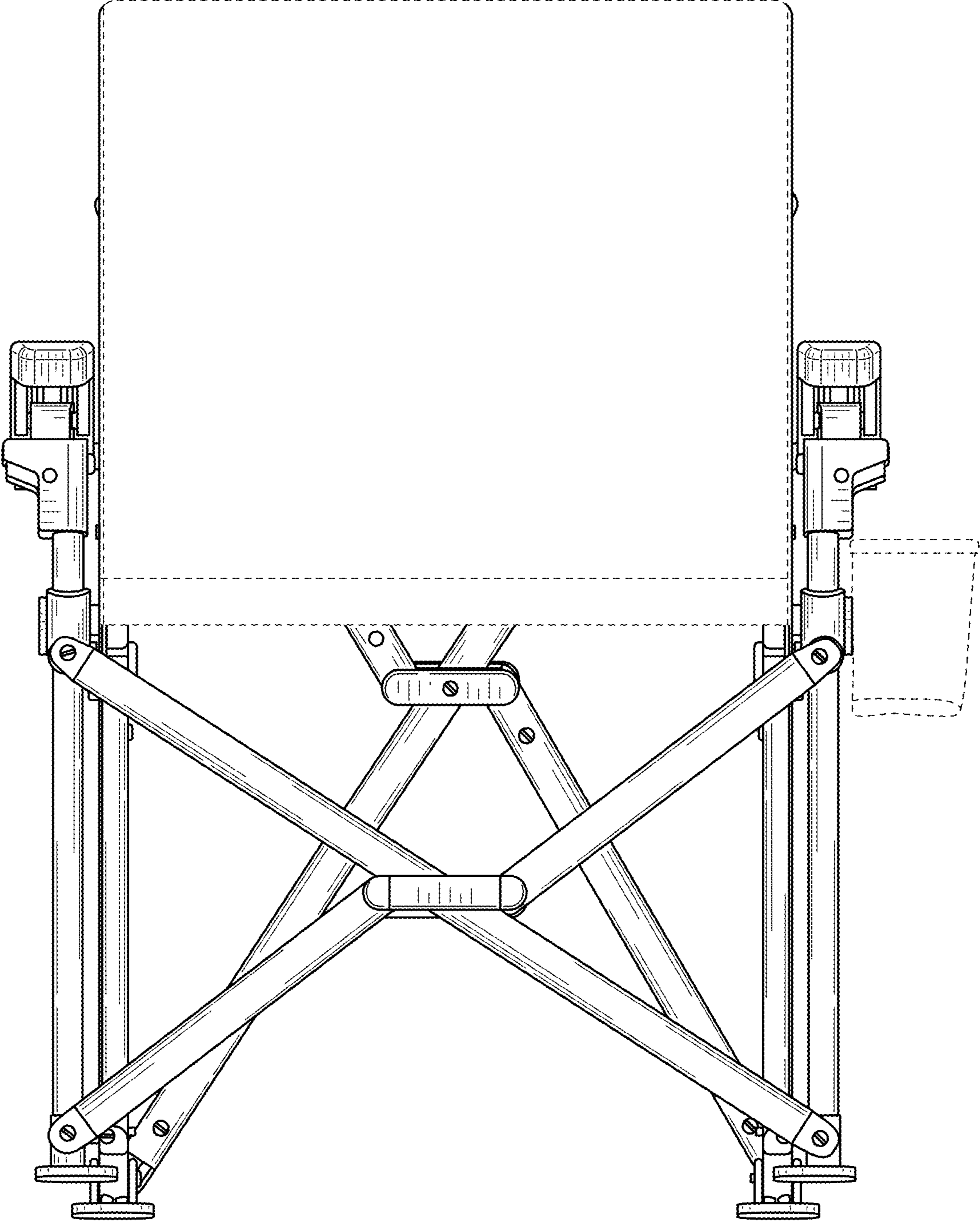


FIG. 2

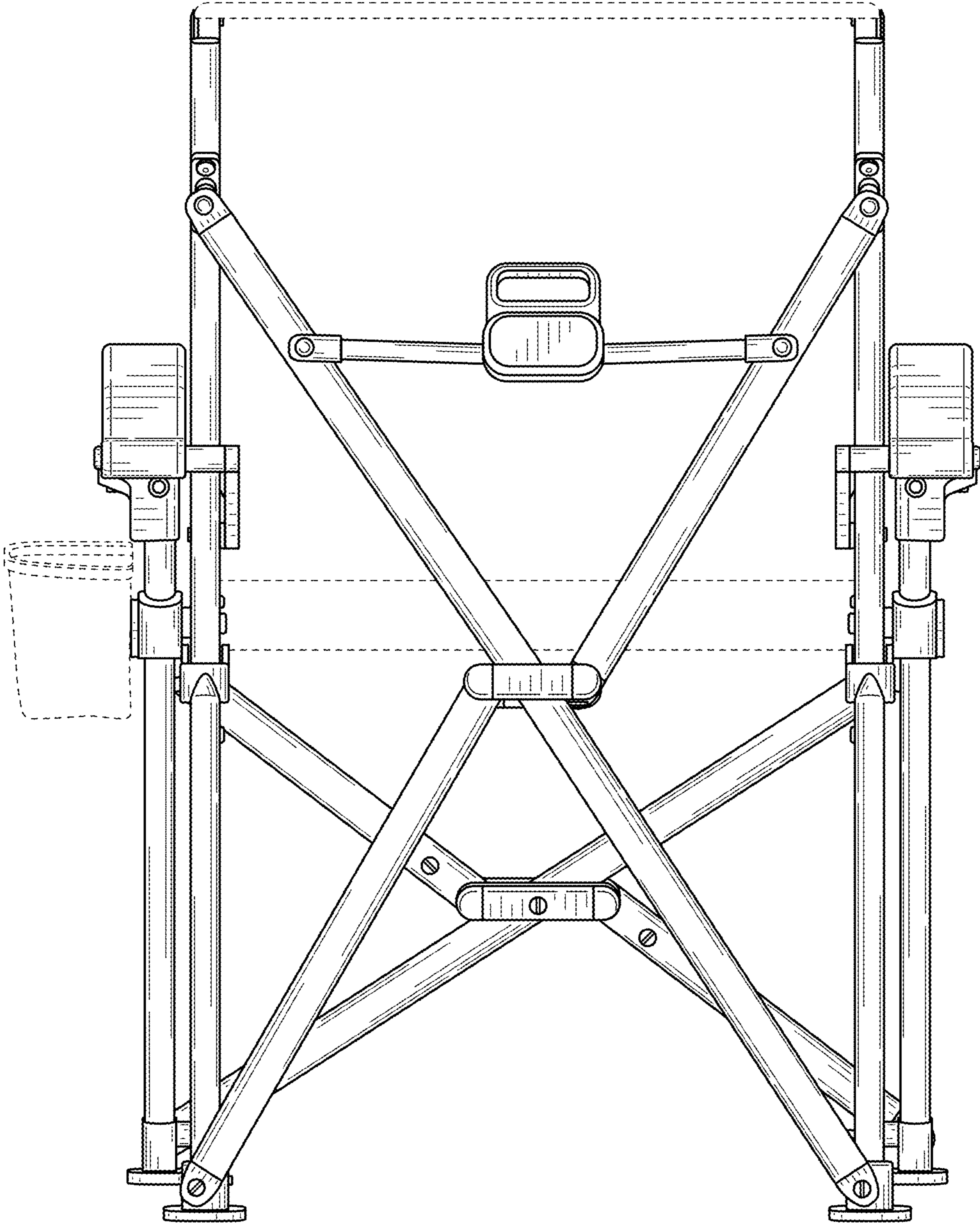


FIG. 3

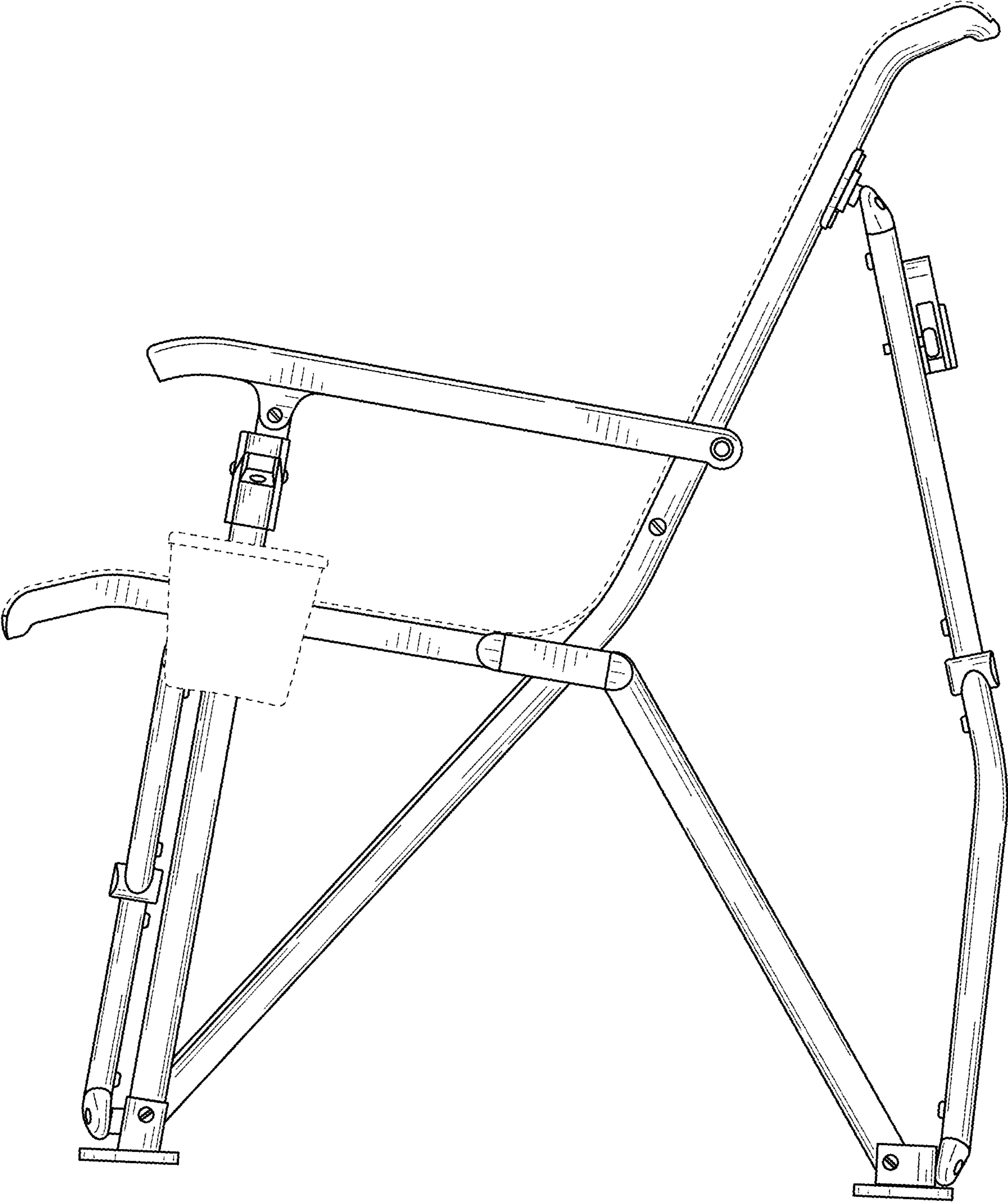


FIG. 4

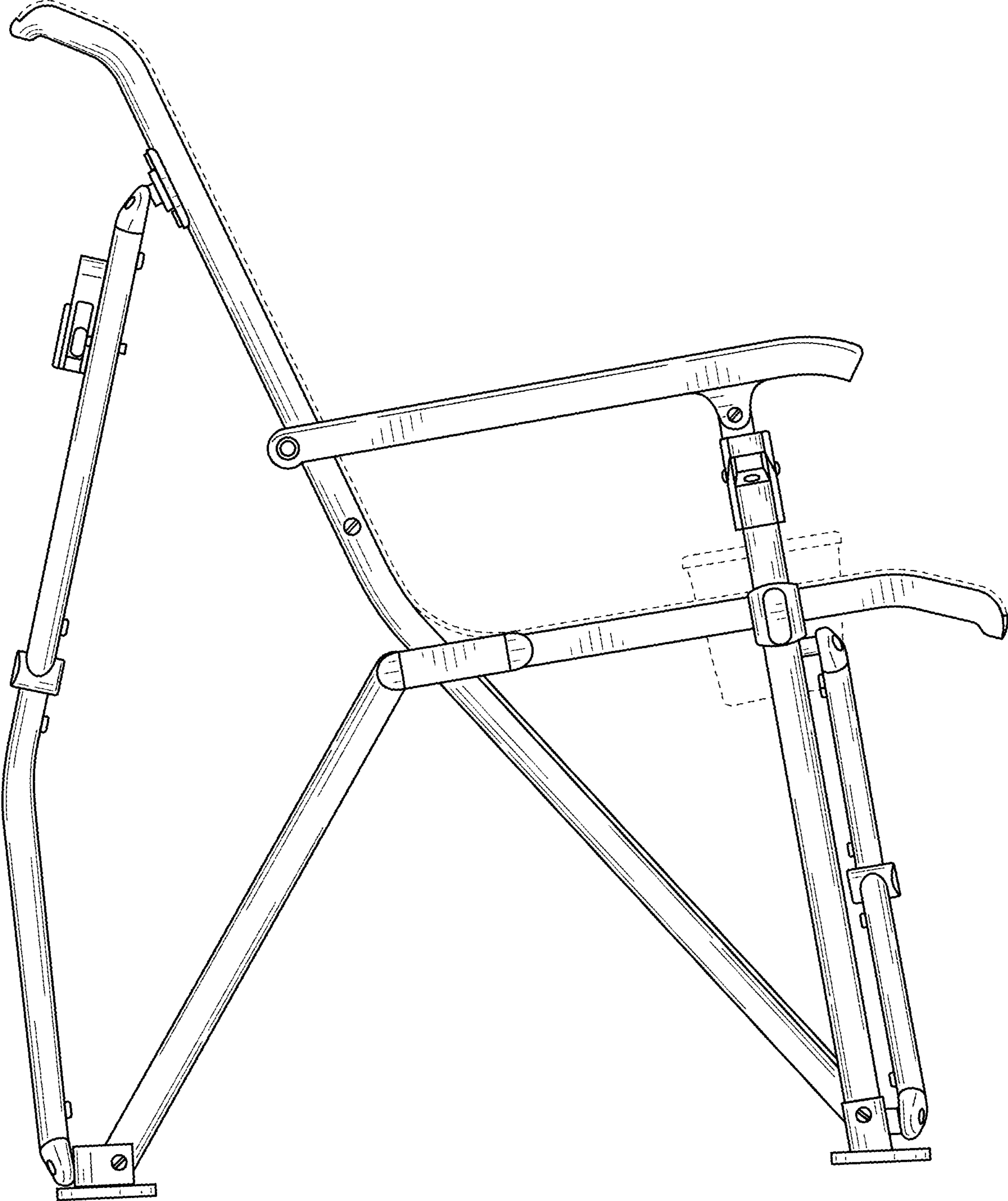


FIG. 5

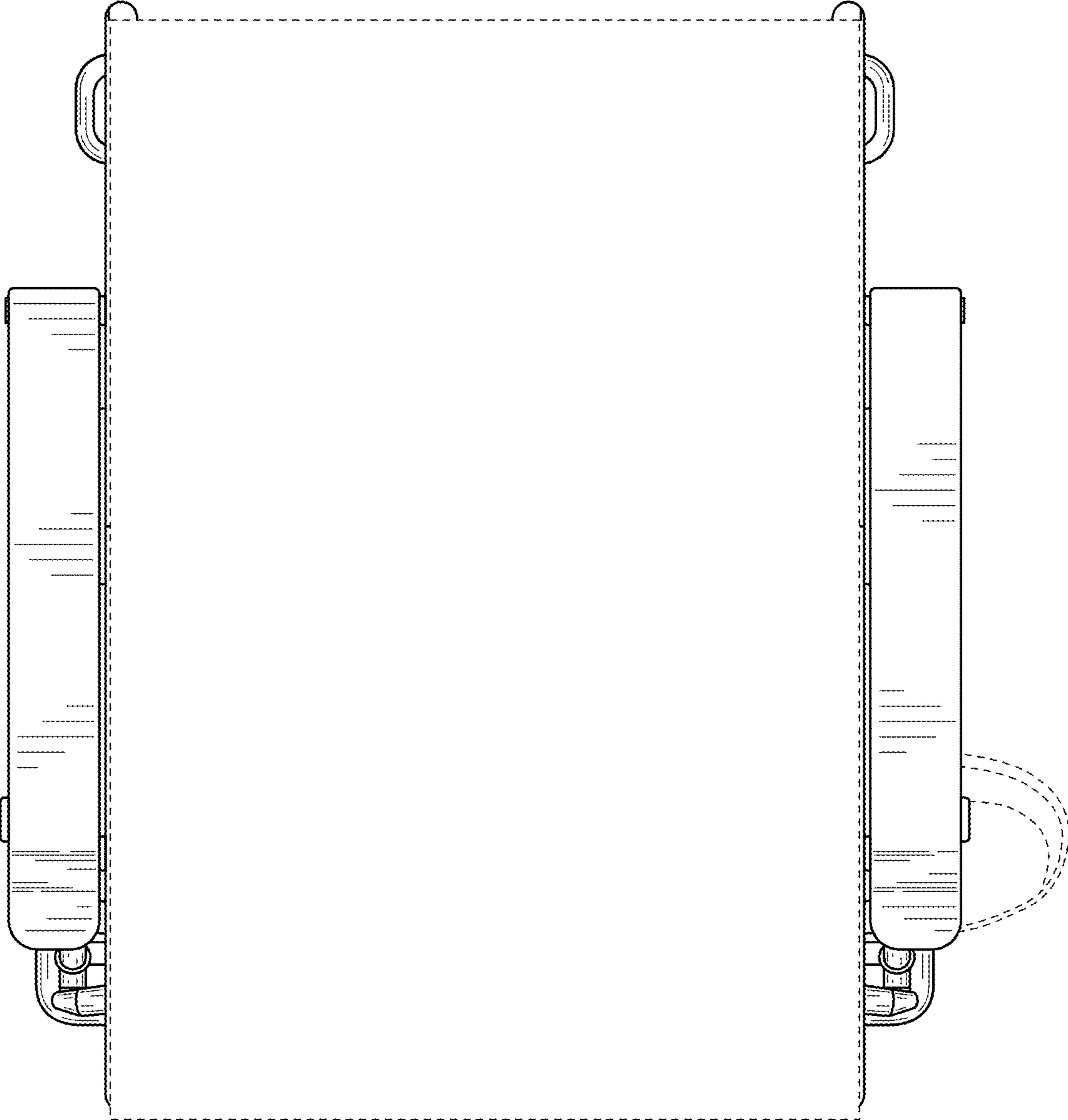


FIG. 6

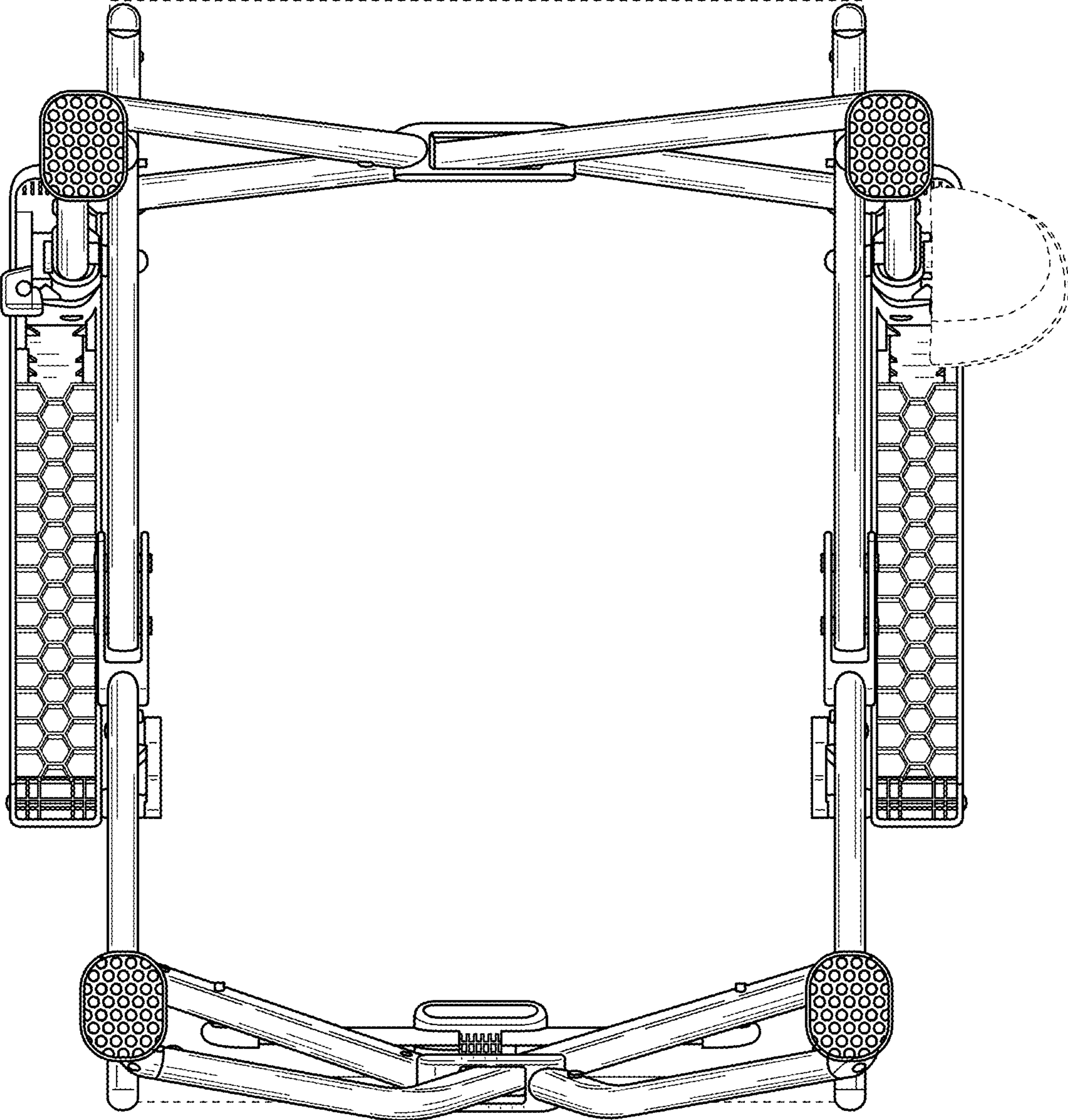


FIG. 7

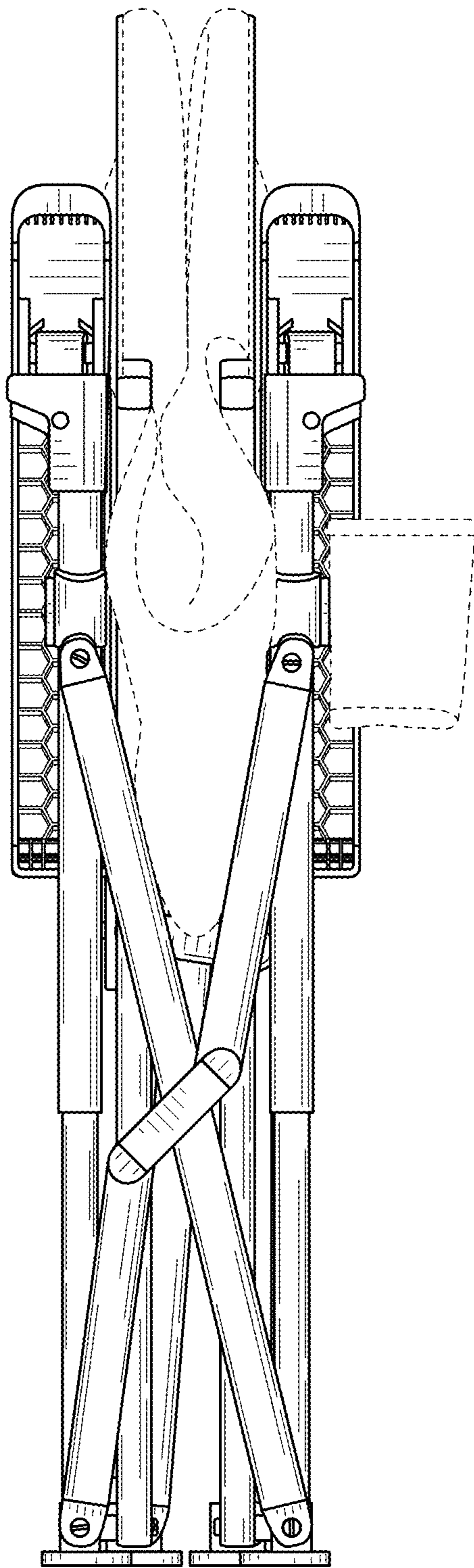


FIG. 8

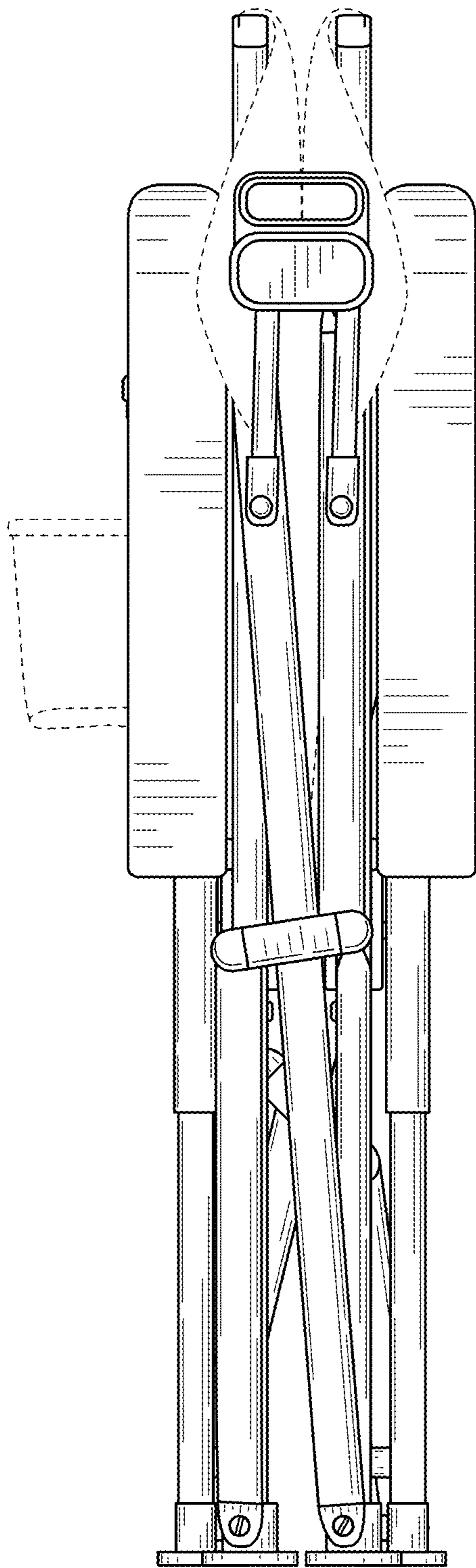


FIG. 9

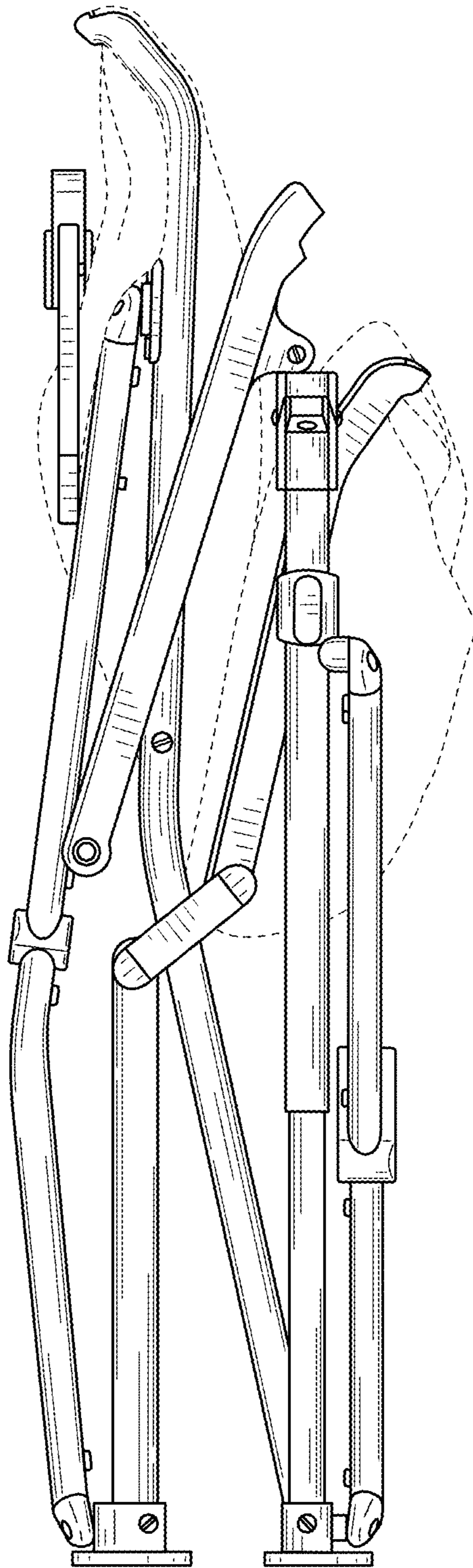


FIG. 10