



US00D902615S

(12) **United States Design Patent** (10) **Patent No.:** **US D902,615 S**
Palma (45) **Date of Patent:** **** Nov. 24, 2020**

(54) **BACK AND SEAT FOR A CHAIR**
(71) Applicant: **Alberto Palma**, Costa Mesa, CA (US)
(72) Inventor: **Alberto Palma**, Costa Mesa, CA (US)
(**) Term: **15 Years**
(21) Appl. No.: **29/690,165**
(22) Filed: **May 6, 2019**
(51) **LOC (12) Cl.** **06-01**
(52) **U.S. Cl.**
USPC **D6/366**
(58) **Field of Classification Search**
USPC D6/356, 364, 365, 366, 367, 379, 716,
D6/716.4, 716.7; D21/521, 695
CPC A47C 1/03294; A47C 1/034; A47C 1/032;
A47C 1/031; A47C 1/023; A47C 3/029;
A47C 3/027; A47C 3/04; A47C 3/02;
A47C 3/12; A47C 4/03; A47C 4/04;
A47C 5/12; A47C 7/029; A47C 7/02;
A47C 7/18; A47C 7/28; A47C 7/32;
A47C 7/38; A47C 7/40; A47C 7/44;
A47C 7/46; A47C 7/54; A47C 7/425;
A47C 7/445; A47C 31/023; A47C 31/04;
B60R 2/0284; B60R 2/062; B60R 22/001;
B60R 22/24; B60R 22/28; B60R 22/58;
B60R 22/64; B60R 22/68; B60R 22/80;
B60R 22/99; B60R 22/245; B60R 22/643;
B60R 22/646; B60R 22/665; B60R
22/686; B60R 22/688; B60R 22/803;
B60R 22/986; B60R 22/914; B60R
22/995; F16B 2/08; F16B 45/00; Y10S
297/01; A47D 13/10
See application file for complete search history.

(56) **References Cited**
U.S. PATENT DOCUMENTS
D463,692 S * 10/2002 Chi D6/366
D532,211 S * 11/2006 Su D6/366

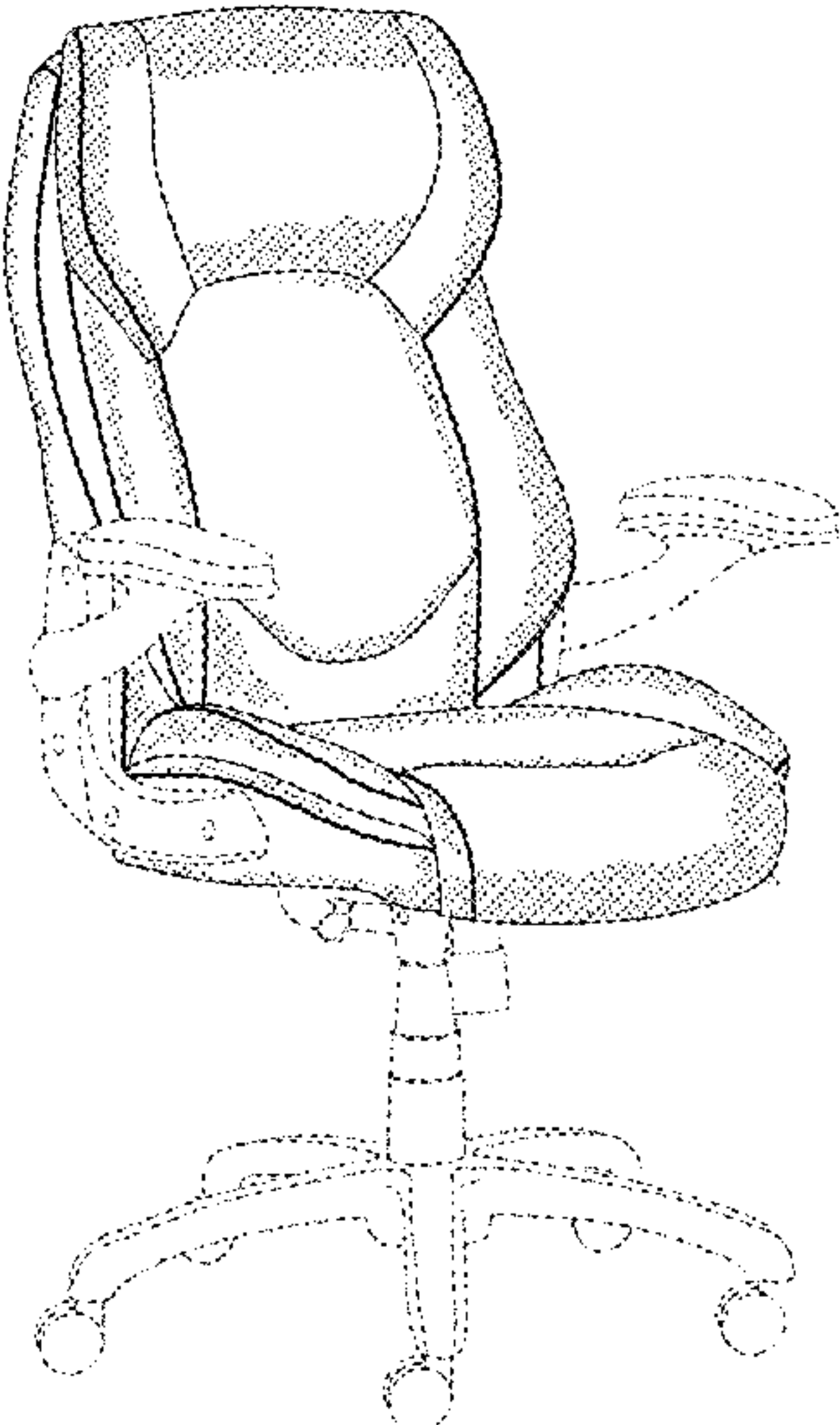
D561,502 S * 2/2008 Egger D6/366
D566,437 S * 4/2008 Egger D6/366
D606,781 S * 12/2009 Hernandez D6/366
D614,895 S * 5/2010 Queally D6/366
D626,768 S * 11/2010 Galati, Jr. D6/716
D657,580 S * 4/2012 Zhou D6/366
D658,409 S * 5/2012 Ping D6/365
D706,048 S * 6/2014 Wang D6/366
D769,633 S * 10/2016 Mezzera D6/366
D769,636 S * 10/2016 Mezzera D6/366
D769,637 S * 10/2016 Mezzera D6/366
D770,820 S * 11/2016 Mezzera D6/366
D792,725 S * 7/2017 Patir D6/356
D809,841 S * 2/2018 Mao D6/716
D811,793 S * 3/2018 Palma D6/716
D847,526 S * 5/2019 Wang D6/366
D879,492 S * 3/2020 Wang D6/366
D880,181 S * 4/2020 Wang D6/366
D880,183 S * 4/2020 Li D6/366
2018/0035805 A1 * 2/2018 Mezzera A47C 7/54

* cited by examiner
Primary Examiner — Michael C Stout
Assistant Examiner — Paul D Bohannon
(74) *Attorney, Agent, or Firm* — Morland C. Fischer

(57) **CLAIM**
The ornamental design for a back and seat for a chair, as shown and described.

DESCRIPTION
FIG. 1 is a perspective view showing the left side, top and front of a back and seat for a chair which forms my new design;
FIG. 2 is a front elevational view thereof;
FIG. 3 is a left side elevational view thereof;
FIG. 4 is a rear elevational view thereof;
FIG. 5 is a right side elevational view thereof;
FIG. 6 is a top plan view thereof; and,
FIG. 7 is a bottom plan view thereof.
The broken lines in the figures illustrate environment that forms no part of my design.

1 Claim, 6 Drawing Sheets



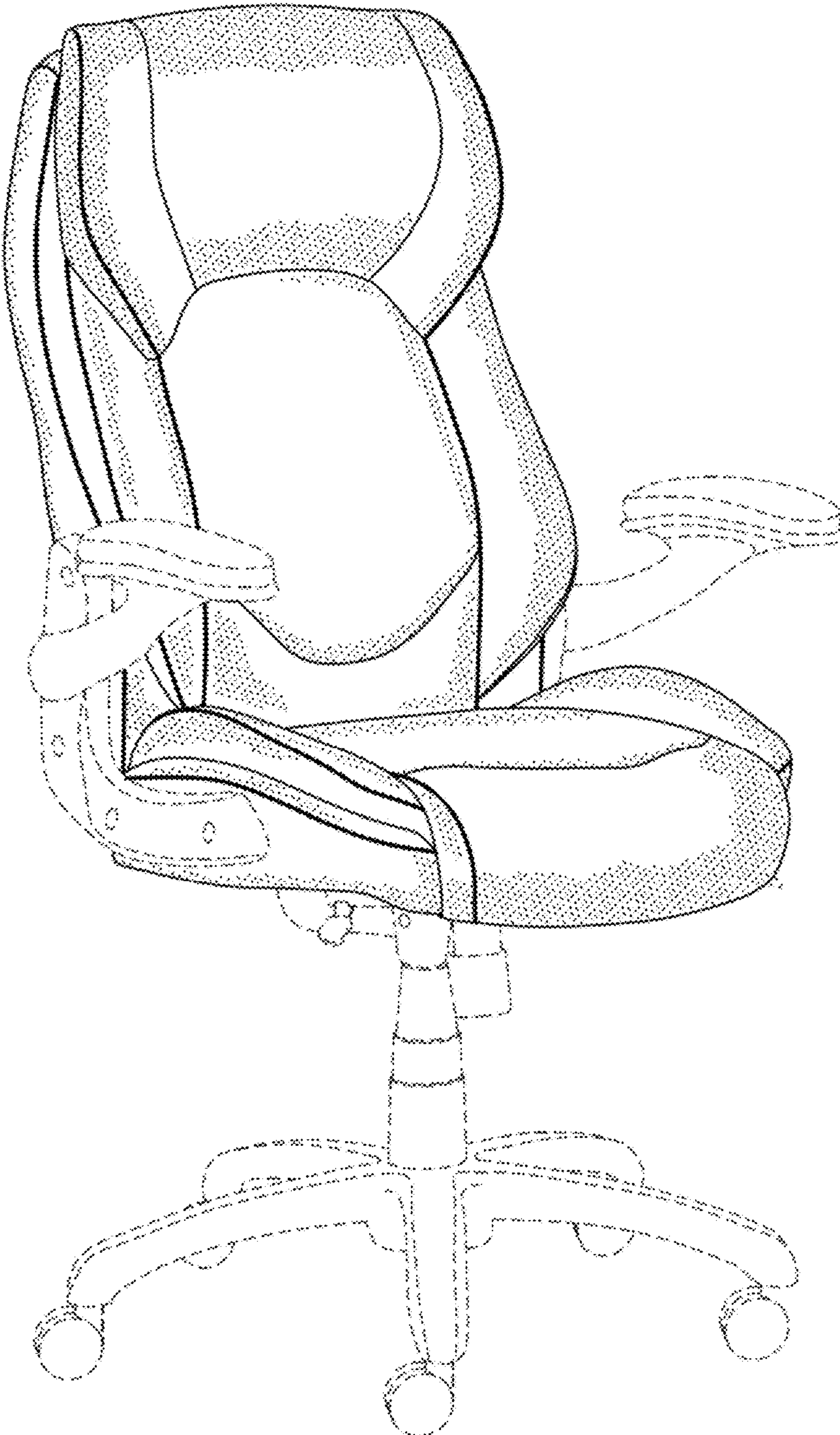


FIG. 1

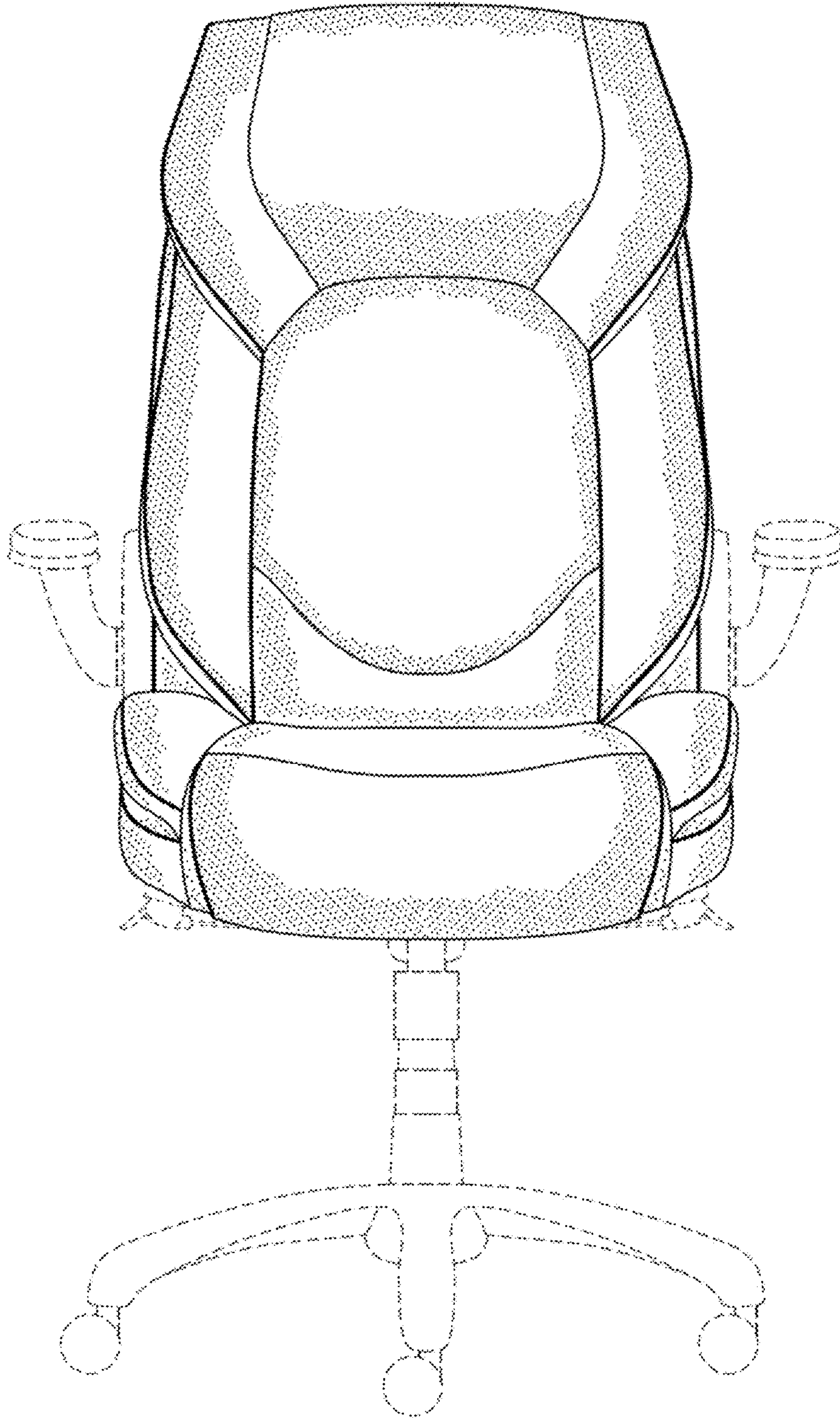


FIG. 2

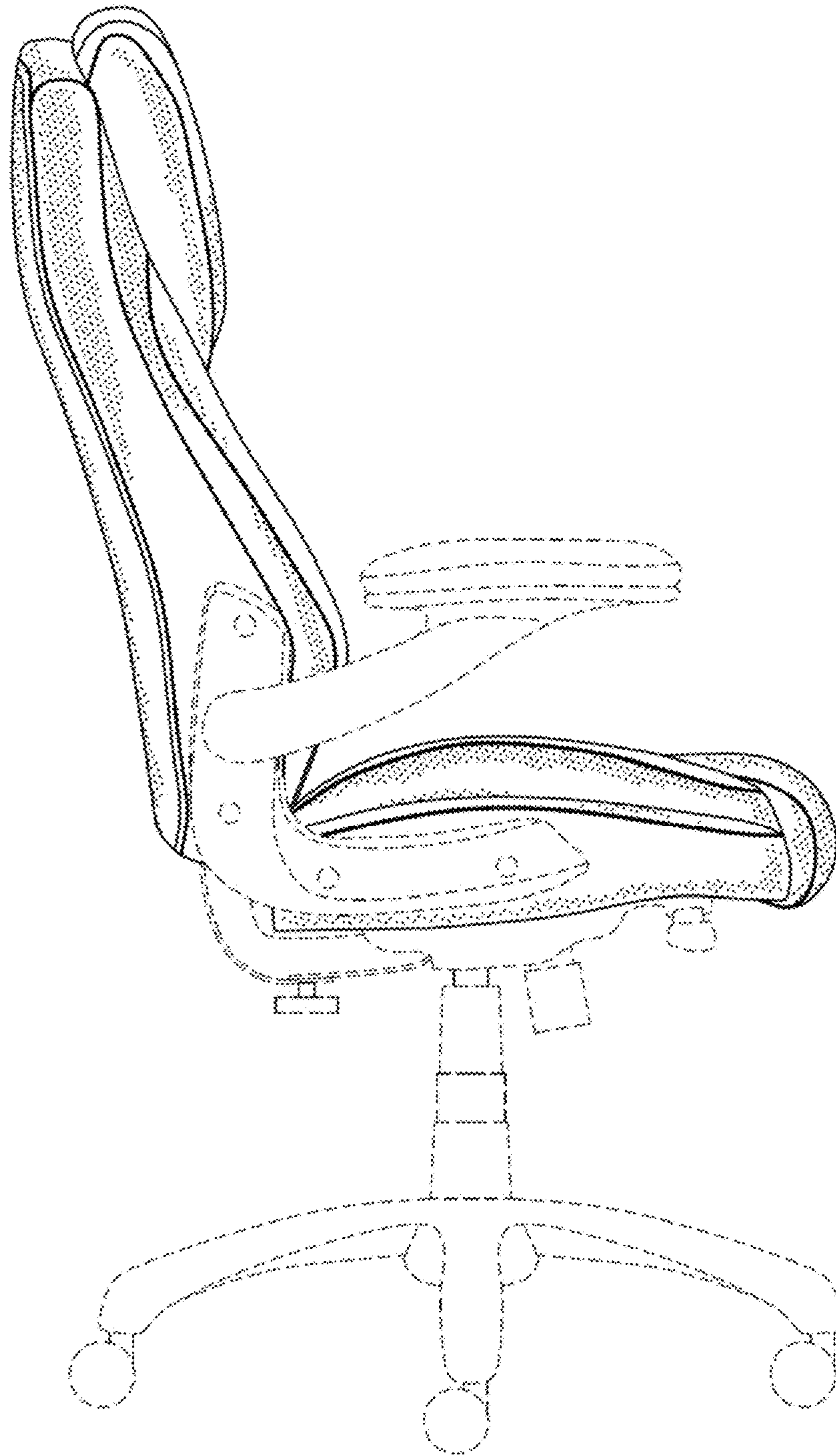


FIG. 3

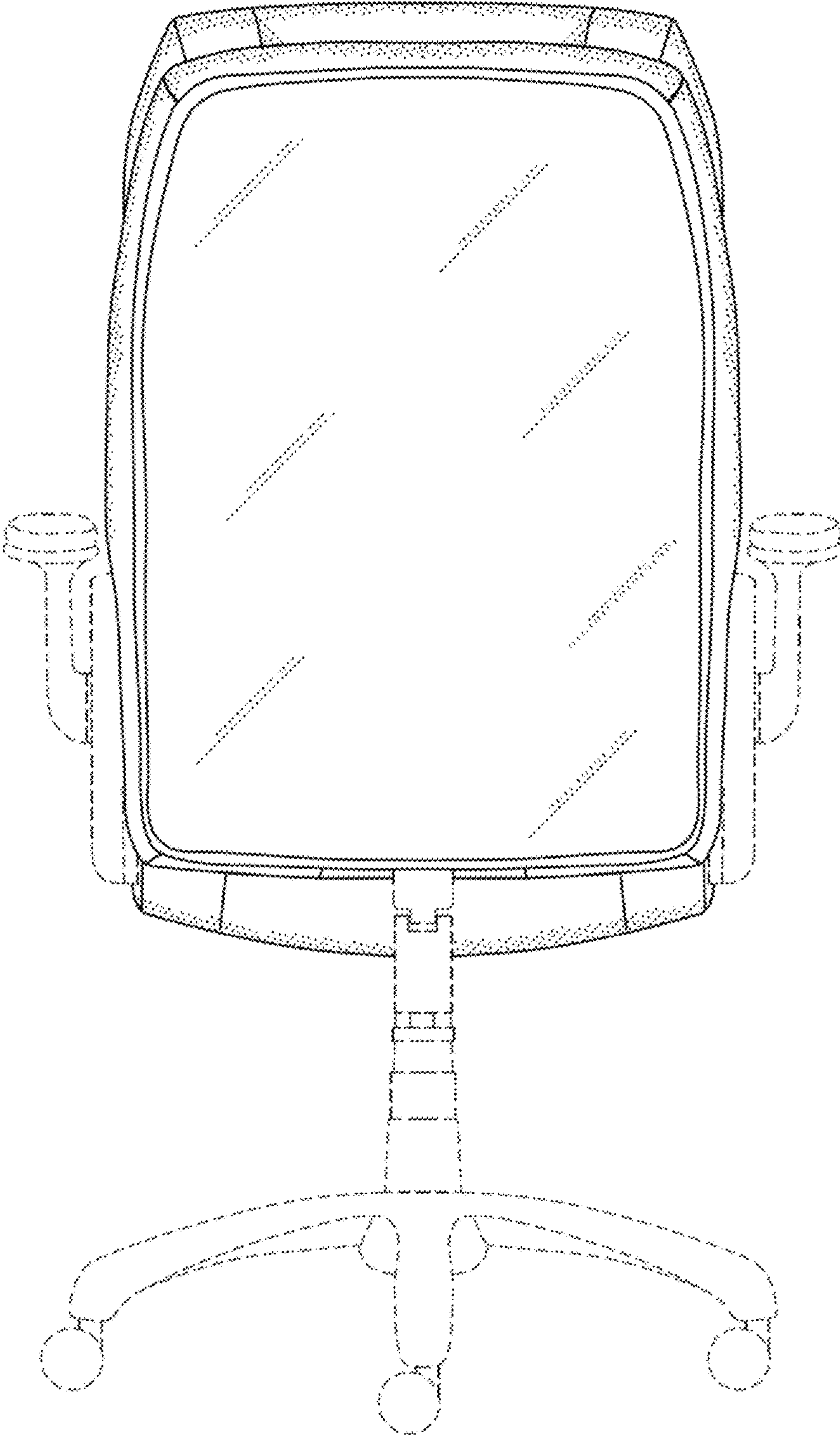


FIG. 4

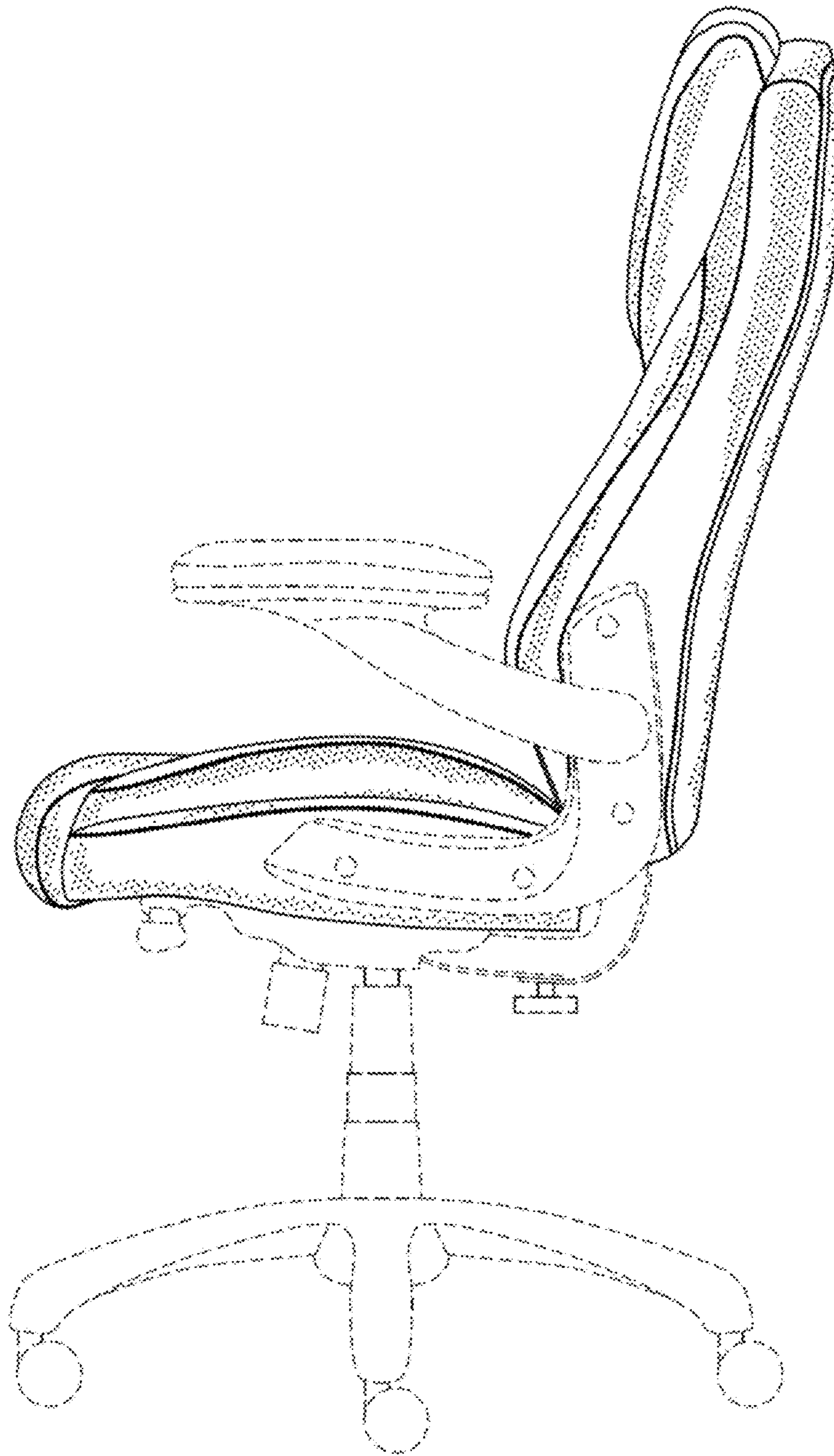


FIG. 5

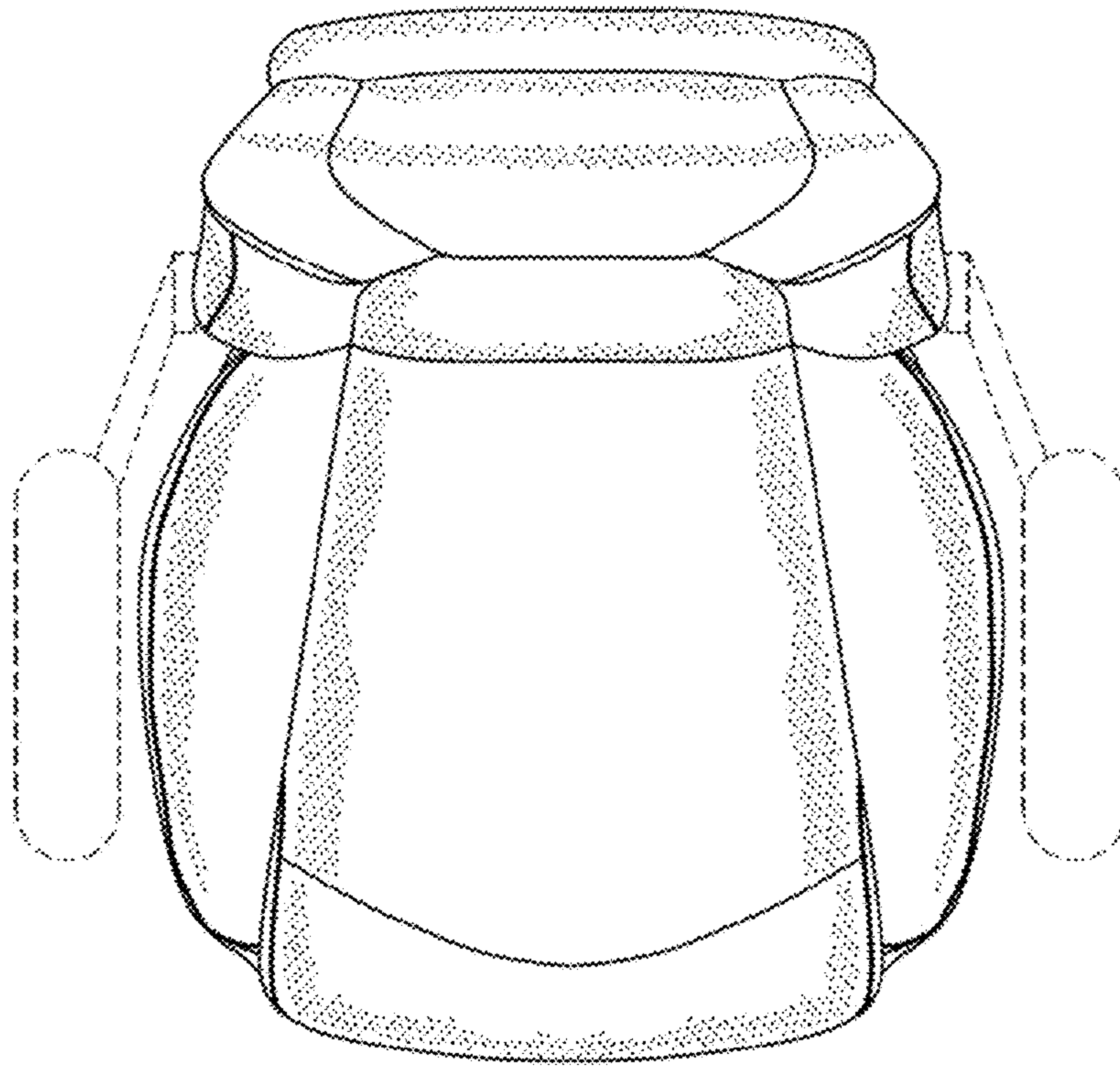


FIG. 6

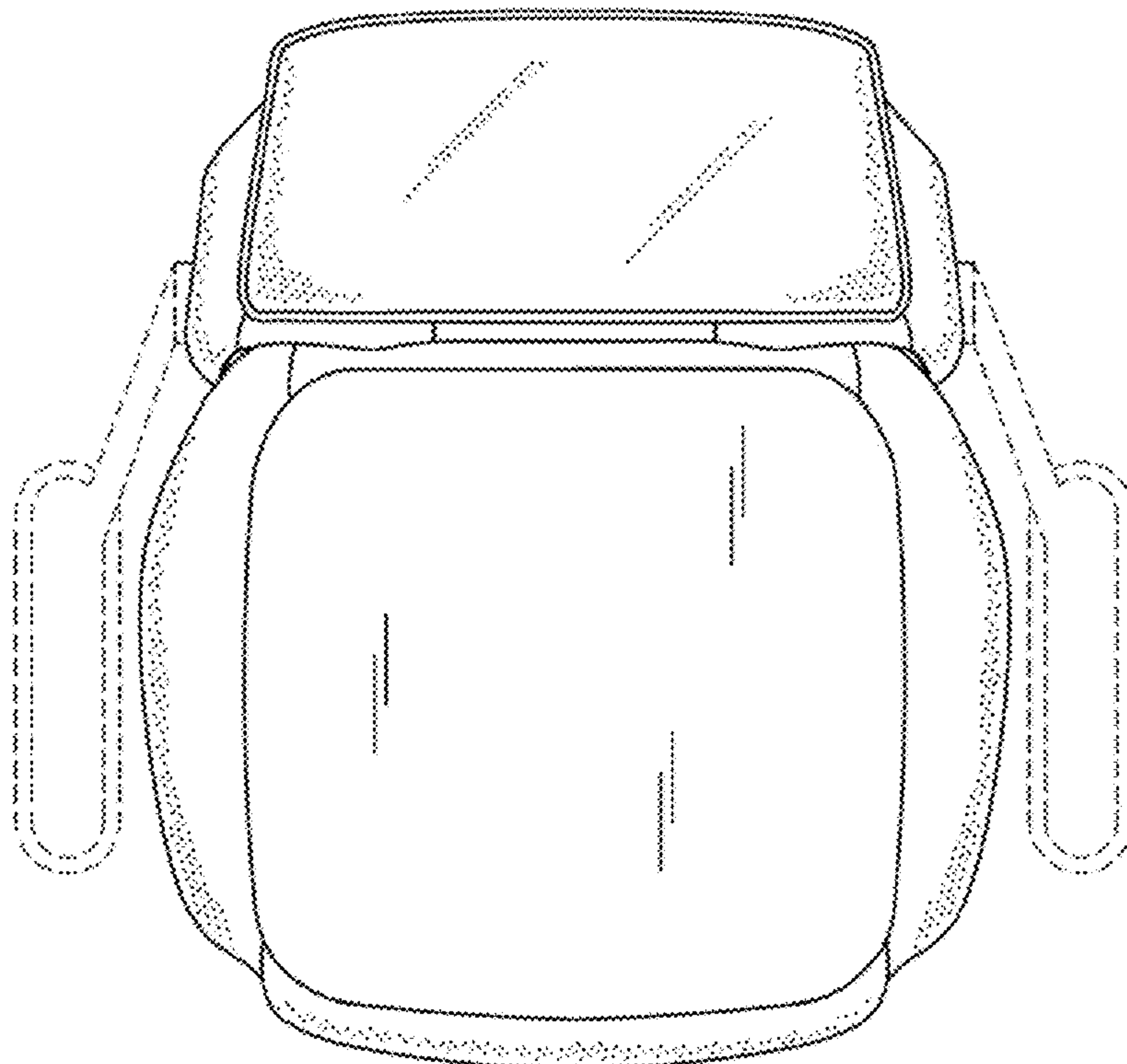


FIG. 7