



US00D902614S

(12) **United States Design Patent**
Peng

(10) **Patent No.:** **US D902,614 S**

(45) **Date of Patent:** **** Nov. 24, 2020**

(54) **CHAIR**

(71) Applicant: **ZHEJIANG YUEQIANG
FURNITURE TECHNOLOGY CO.
LTD, Huzhou (CN)**

(72) Inventor: **Hanqiang Peng, Huzhou (CN)**

(**) Term: **15 Years**

(21) Appl. No.: **29/665,020**

(22) Filed: **Sep. 28, 2018**

(51) **LOC (12) Cl.** **06-01**

(52) **U.S. Cl.**
USPC **D6/366**

(58) **Field of Classification Search**
USPC D6/334-336, 364, 365, 366, 367, 374,
D6/379, 716, 716.1, 716.4, 716.5
CPC A47C 7/004; A47C 7/006; A47C 7/18;
A47C 7/24; A47C 7/38; A47C 7/40;
A47C 7/46; A47C 7/54
See application file for complete search history.

(56) **References Cited**

U.S. PATENT DOCUMENTS

D436,456 S * 1/2001 Neil D6/366
D523,252 S * 6/2006 Rodriguez Leitao D6/366

D576,813 S * 9/2008 Baldanzi D6/366
D665,590 S * 8/2012 Wagner D6/366
D695,538 S * 12/2013 Geelen D6/366
D705,559 S * 5/2014 Giugiaro D6/366
D707,459 S * 6/2014 Ma D6/366
D735,483 S * 8/2015 Wu D6/366
D760,526 S * 7/2016 Smith D6/716.5
D801,741 S * 11/2017 Zhu D6/716
D802,314 S * 11/2017 Barber D6/366
2008/0122284 A1 * 5/2008 Yang A47C 7/40
297/452.56

* cited by examiner

Primary Examiner — Mimosa De

(74) *Attorney, Agent, or Firm* — KA Filing LLC; Cynthia Ward Flanigan

(57) **CLAIM**

The ornamental design for a chair, as shown and described.

DESCRIPTION

FIG. 1 is a front perspective view of a chair showing new design;

FIG. 2 is a right side view thereof;

FIG. 3 is a left side view thereof;

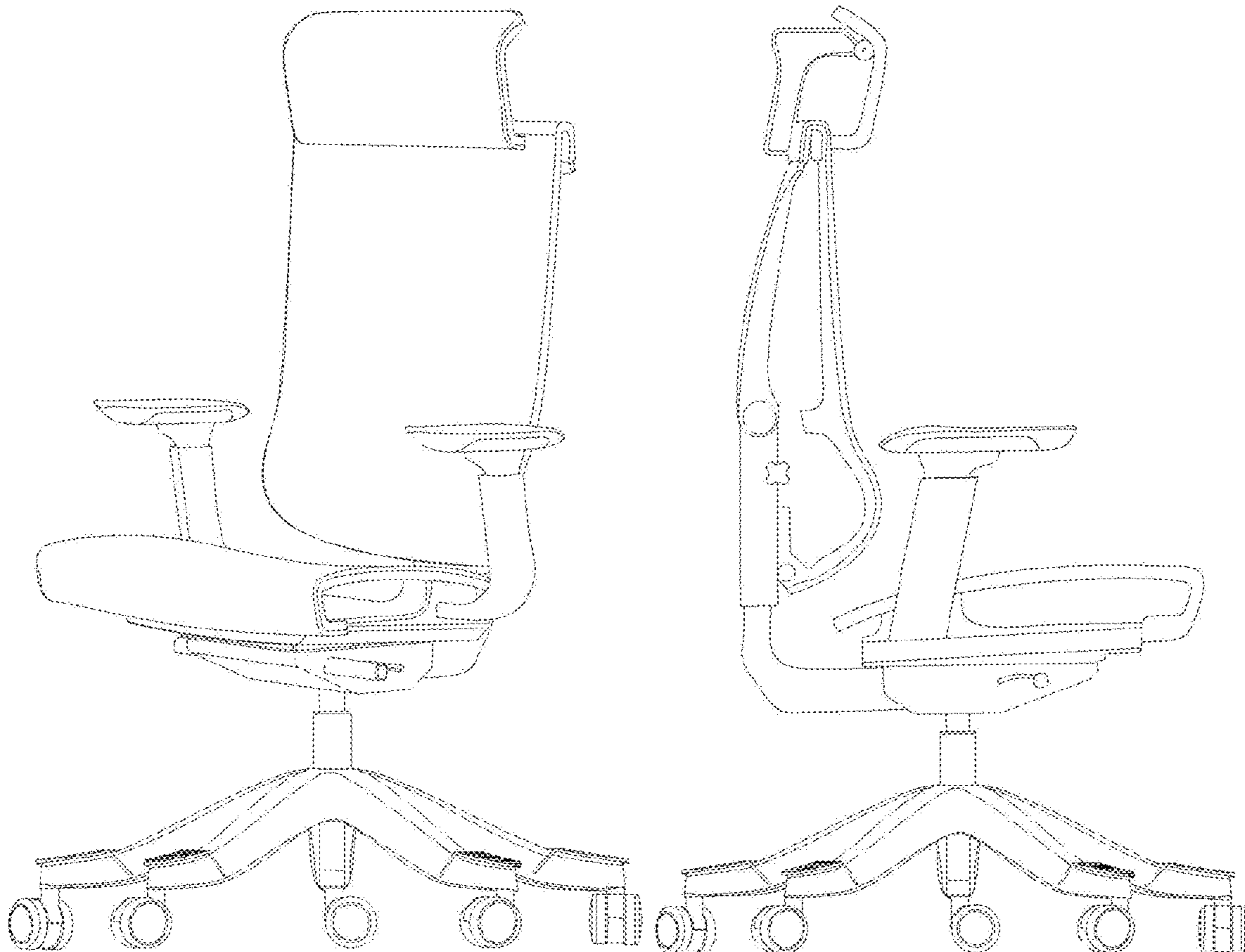
FIG. 4 is a front view thereof;

FIG. 5 is a rear view thereof;

FIG. 6 is a top view thereof; and,

FIG. 7 is a bottom view thereof.

1 Claim, 7 Drawing Sheets



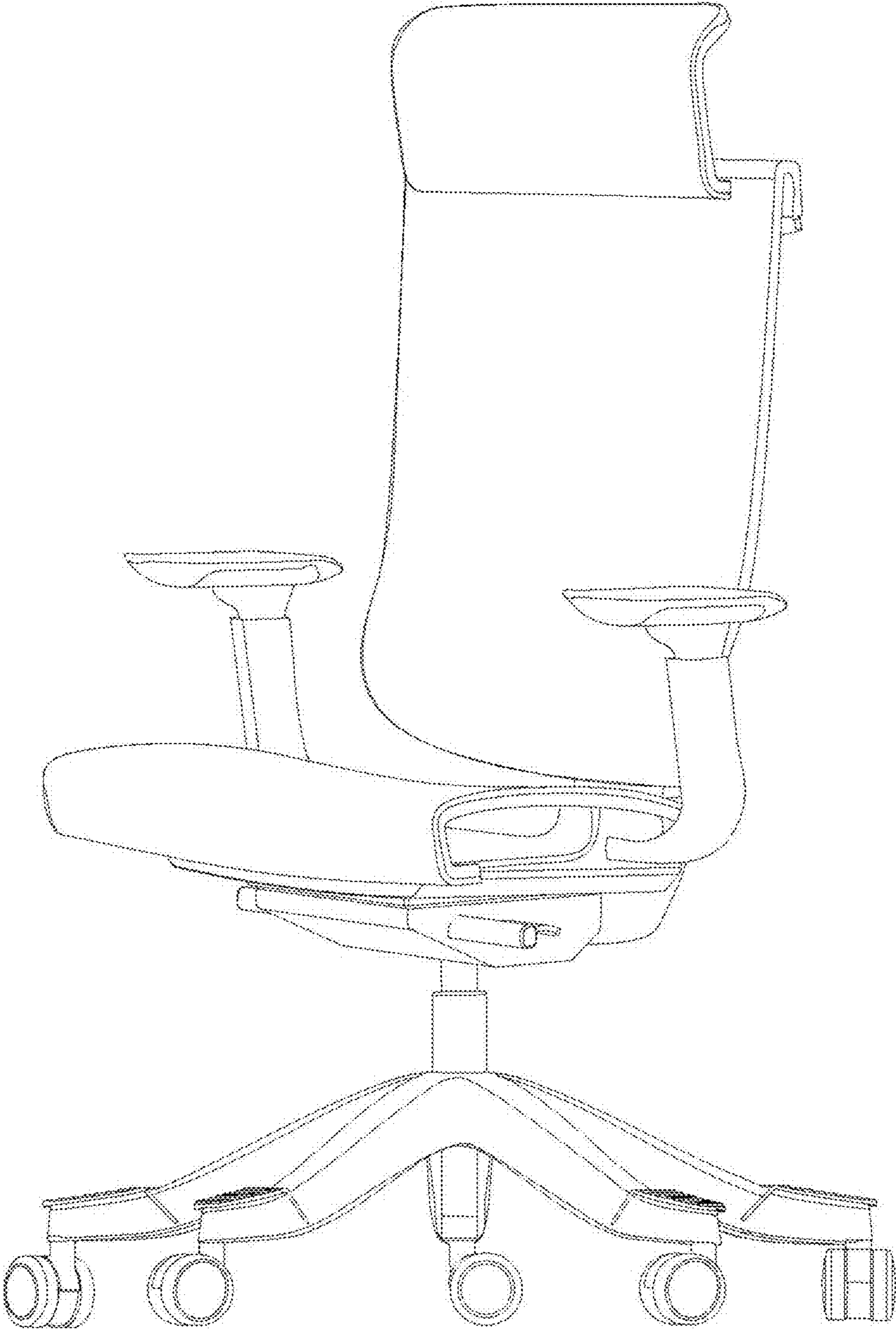


Fig. 1

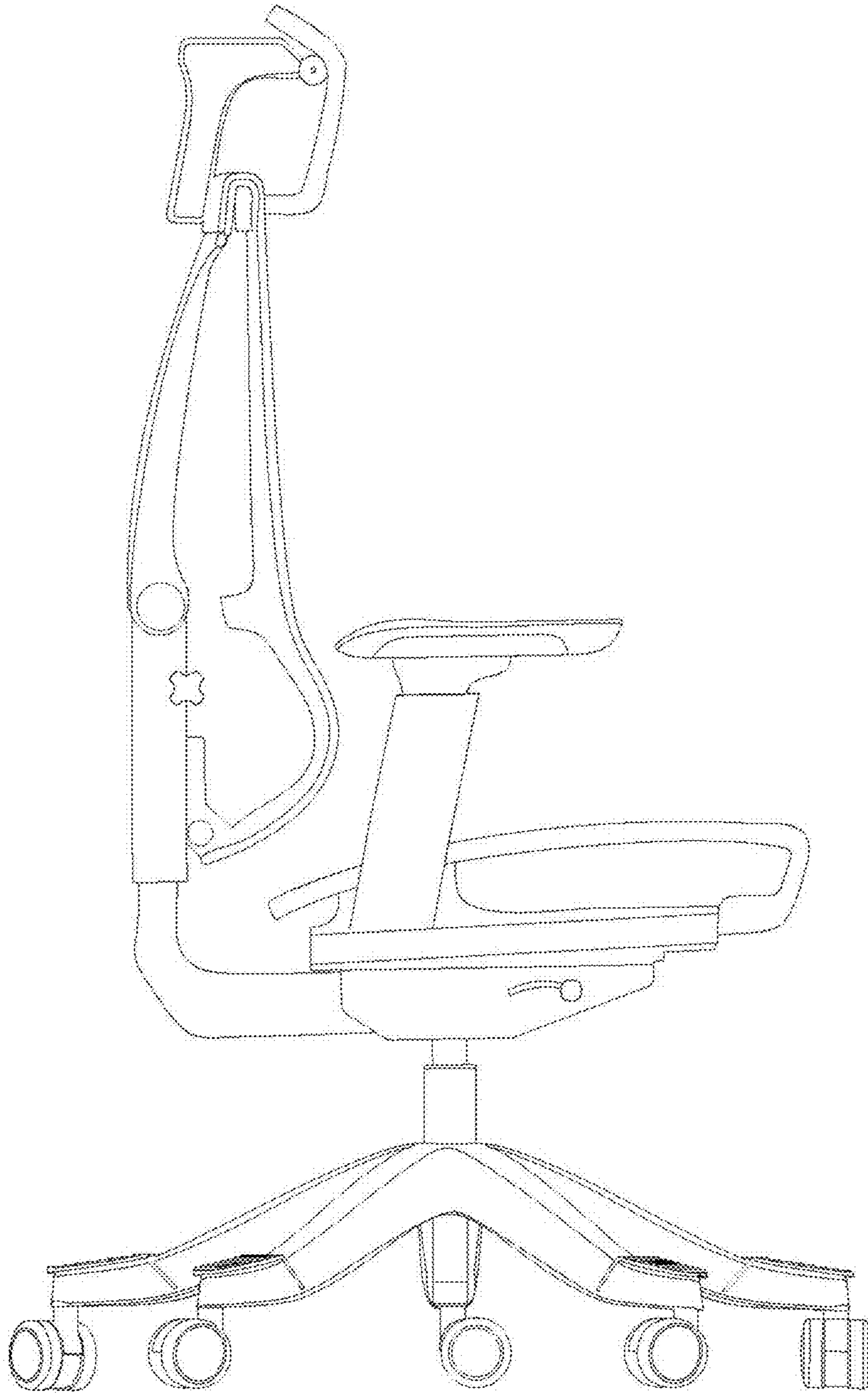


Fig. 2

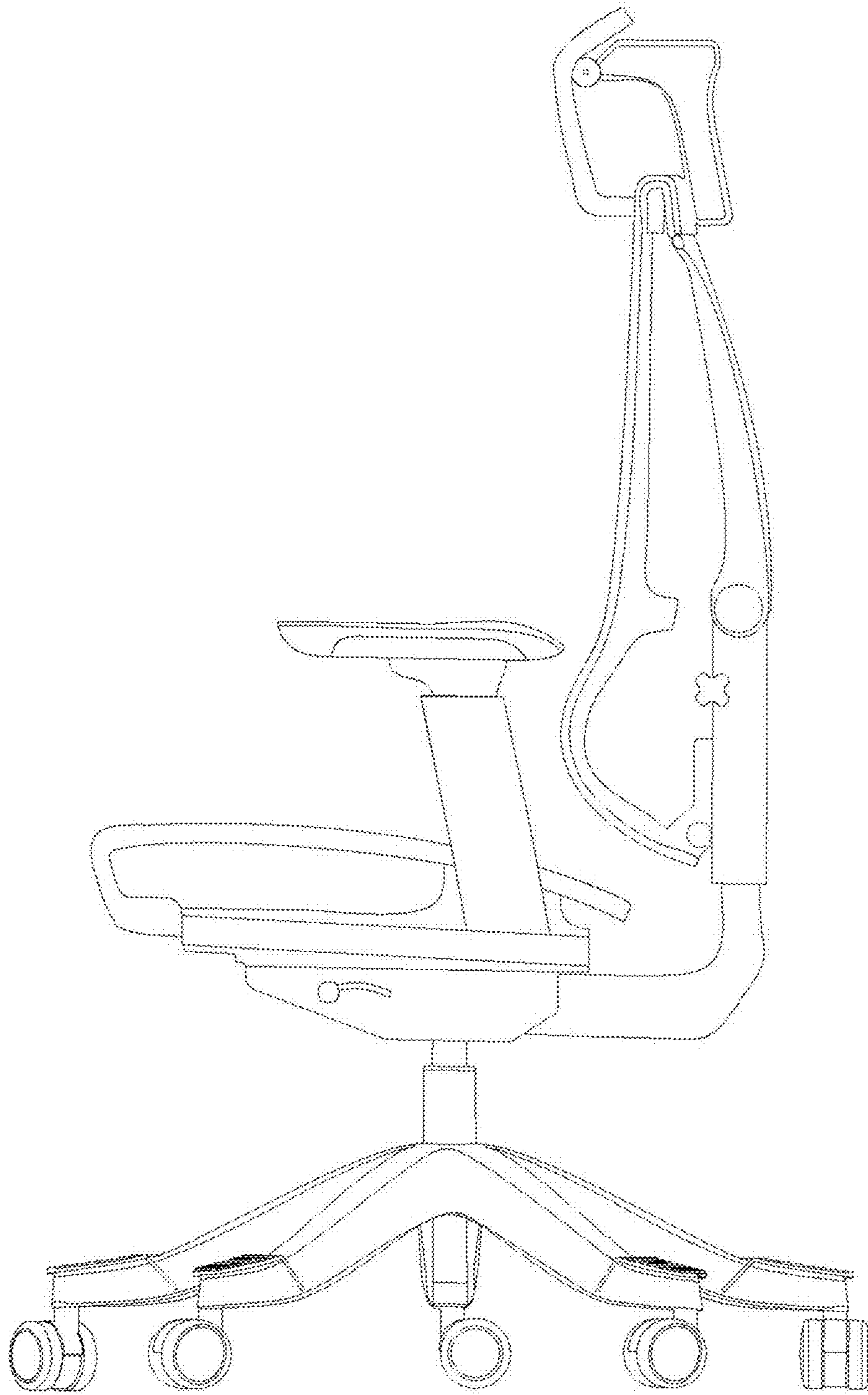


Fig. 3

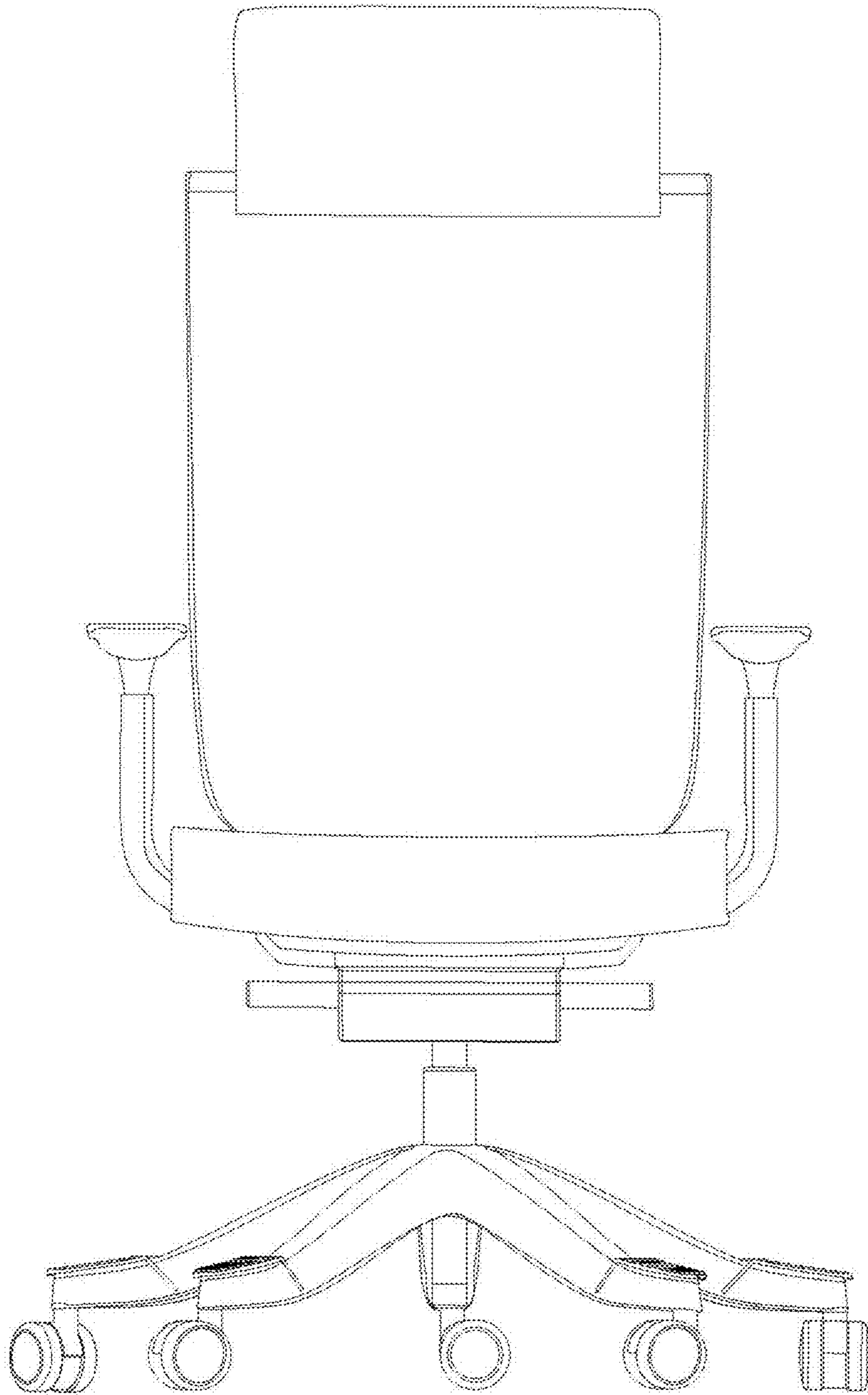


Fig. 4

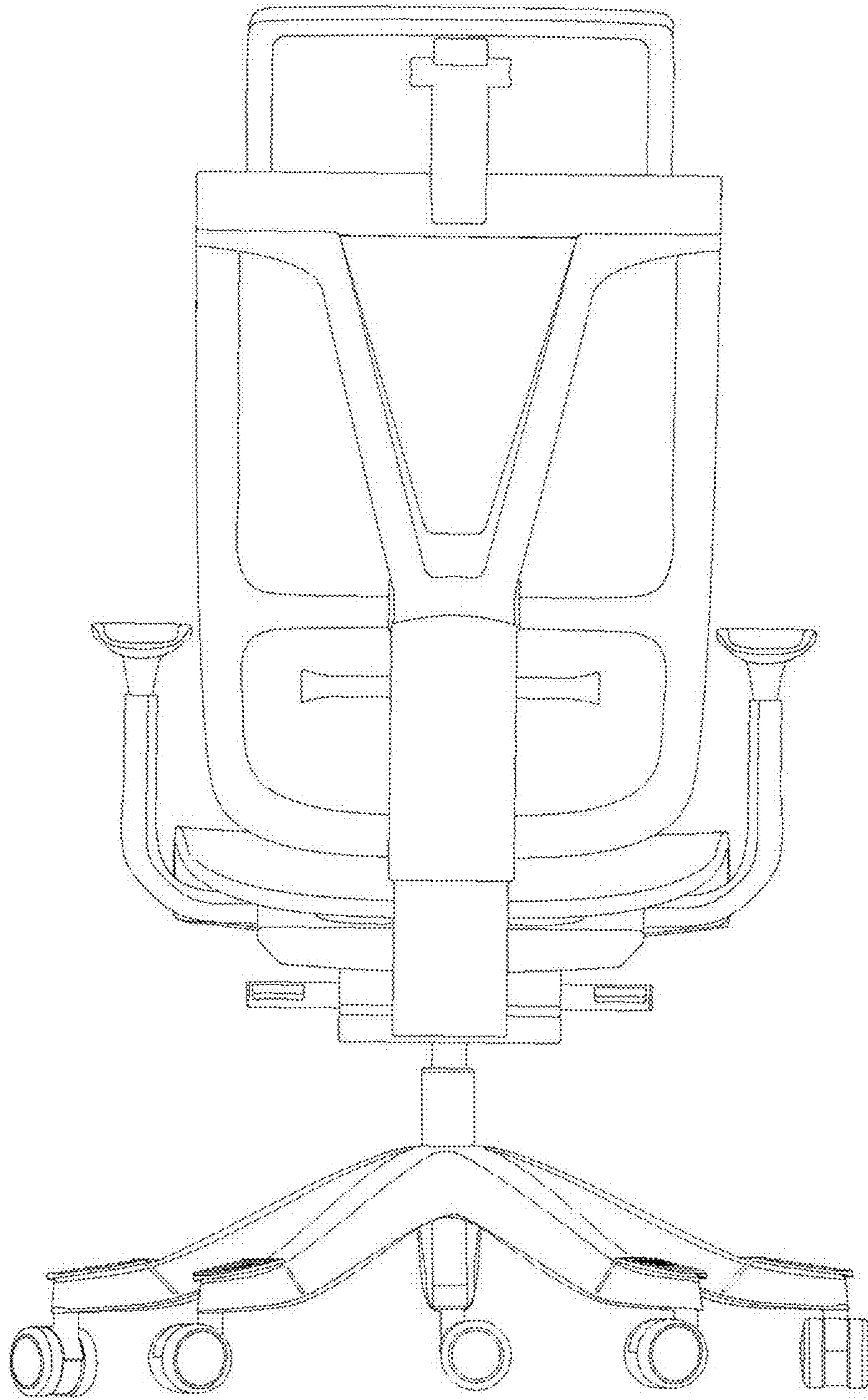


Fig. 5

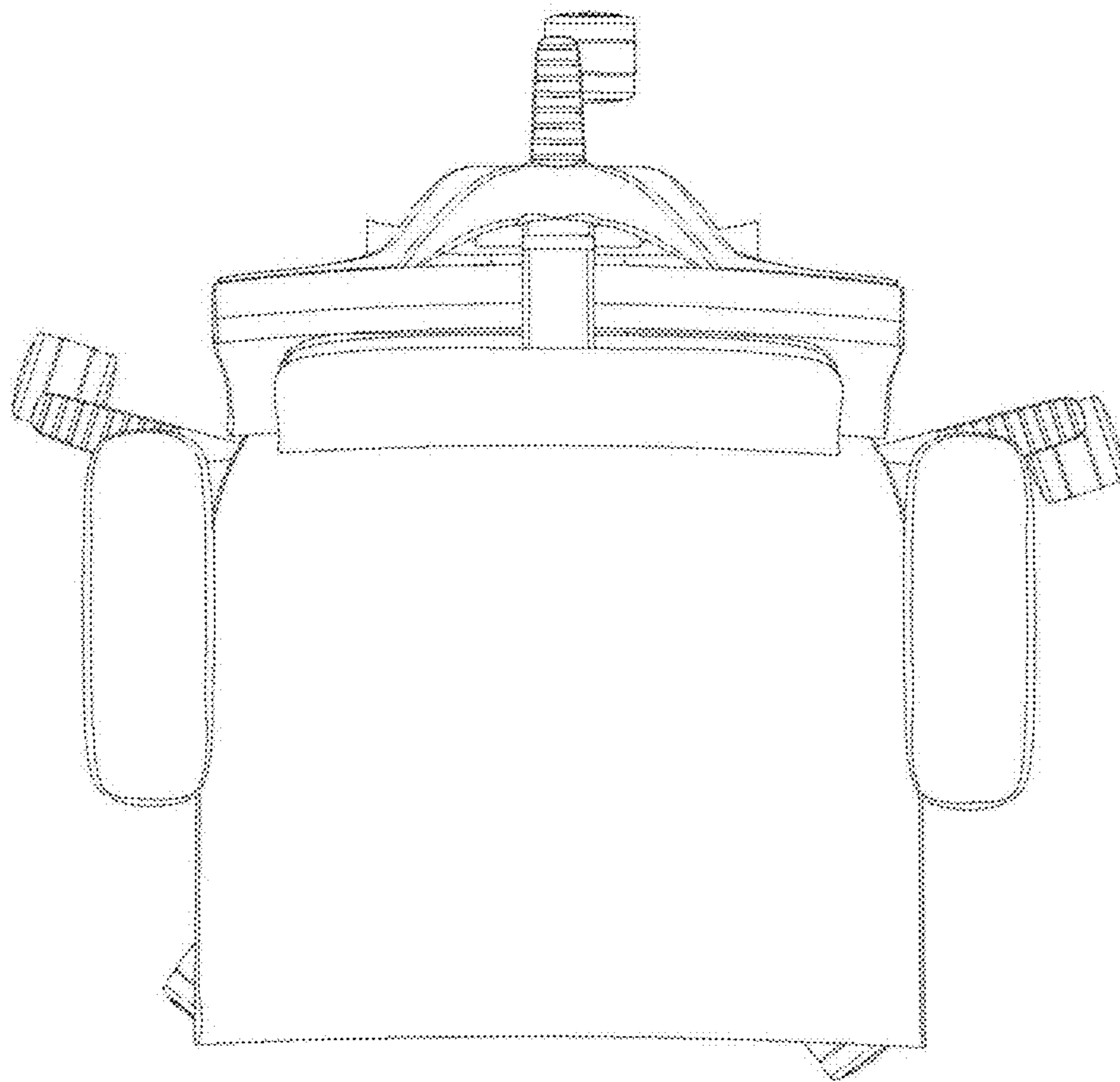


Fig. 6

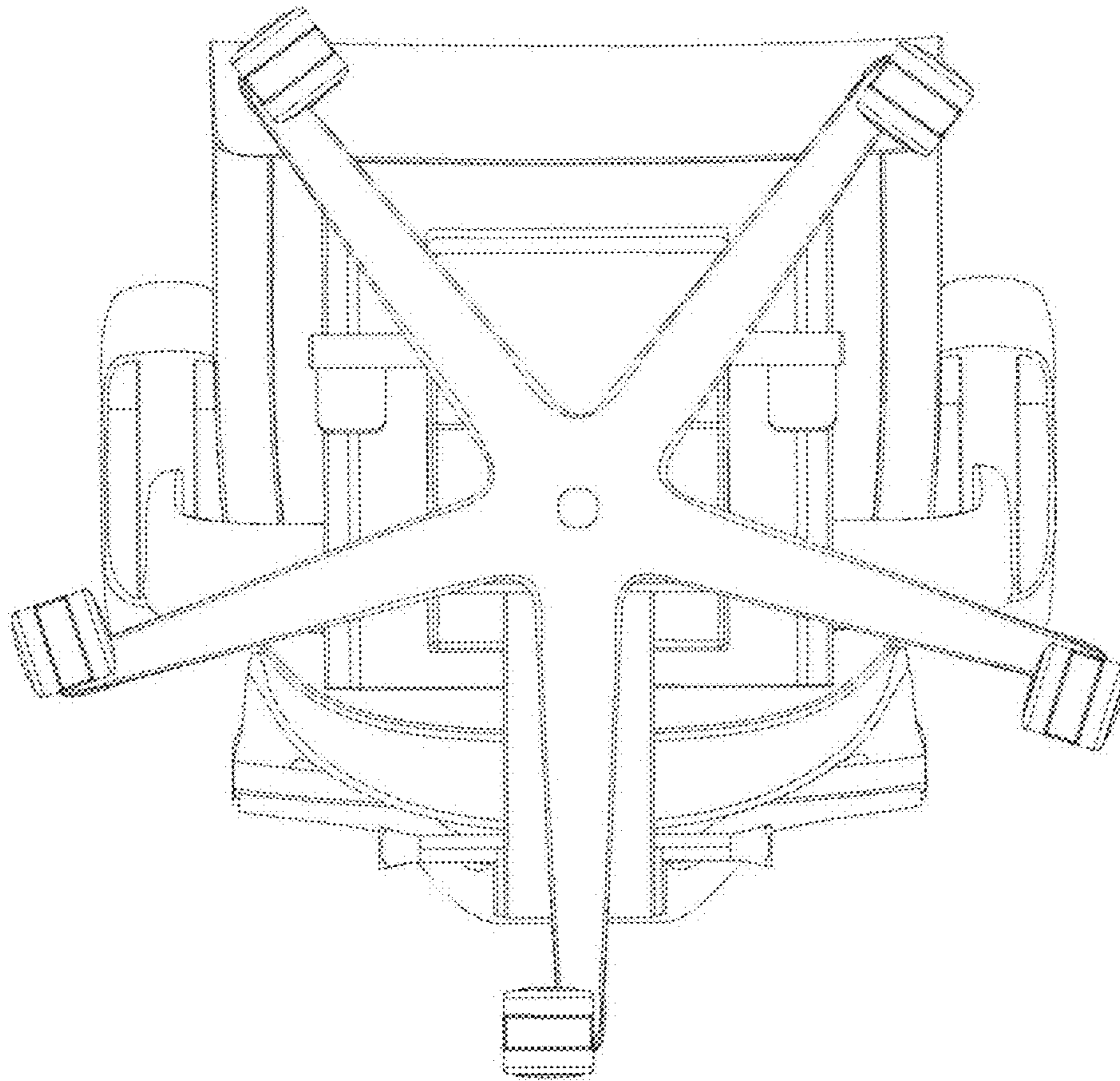


Fig. 7