



US00D902612S

(12) **United States Design Patent** (10) **Patent No.:** **US D902,612 S**
Hu (45) **Date of Patent:** **** Nov. 24, 2020**

(54) **PEDAL BOARD**

(71) Applicant: **Yajun Hu**, El Dorado Hills, CA (US)

(72) Inventor: **Yajun Hu**, El Dorado Hills, CA (US)

(73) Assignees: **Yajun Hu**, Moreau, CT (US);
EUREKA LLC., El Dorado Hills, CA (US)

(**) Term: **15 Years**

(21) Appl. No.: **29/661,012**

(22) Filed: **Aug. 23, 2018**

(51) **LOC (12) Cl.** **06-06**

(52) **U.S. Cl.**
USPC **D6/349**

(58) **Field of Classification Search**
USPC D17/20, 22, 99; D6/349, 350
CPC .. G10D 13/11; G10D 99/00; G10H 2210/231;
A47C 16/02

See application file for complete search history.

(56) **References Cited**

U.S. PATENT DOCUMENTS

- 2,461,622 A * 2/1949 Alikas A47C 16/02
248/628
- D350,450 S * 9/1994 Hassel D6/349
- 5,348,377 A * 9/1994 Grosch A47C 16/025
108/8
- D367,968 S * 3/1996 Hatcher D6/349

- D382,125 S * 8/1997 Chuang D6/349
- D574,005 S * 7/2008 Chung D14/447
- D599,452 S * 9/2009 Israel D23/335
- D781,954 S 3/2017 Wilfer
- D786,961 S 5/2017 Canivell Grifols et al.
- D789,442 S 6/2017 Canivell Grifols et al.
- D809,484 S * 2/2018 Shi D14/217
- D813,760 S 3/2018 Johnson et al.
- D815,682 S * 4/2018 Trifilio D17/20
- D819,120 S 5/2018 Wilfer
- D819,726 S 6/2018 Belitz et al.
- D820,904 S 6/2018 Fiden et al.
- D828,440 S * 9/2018 Trifilio D17/20
- D857,698 S * 8/2019 Hu D14/447
- 2011/0317440 A1 * 12/2011 Chen B60N 3/046
362/473

* cited by examiner

Primary Examiner — R. Johnson

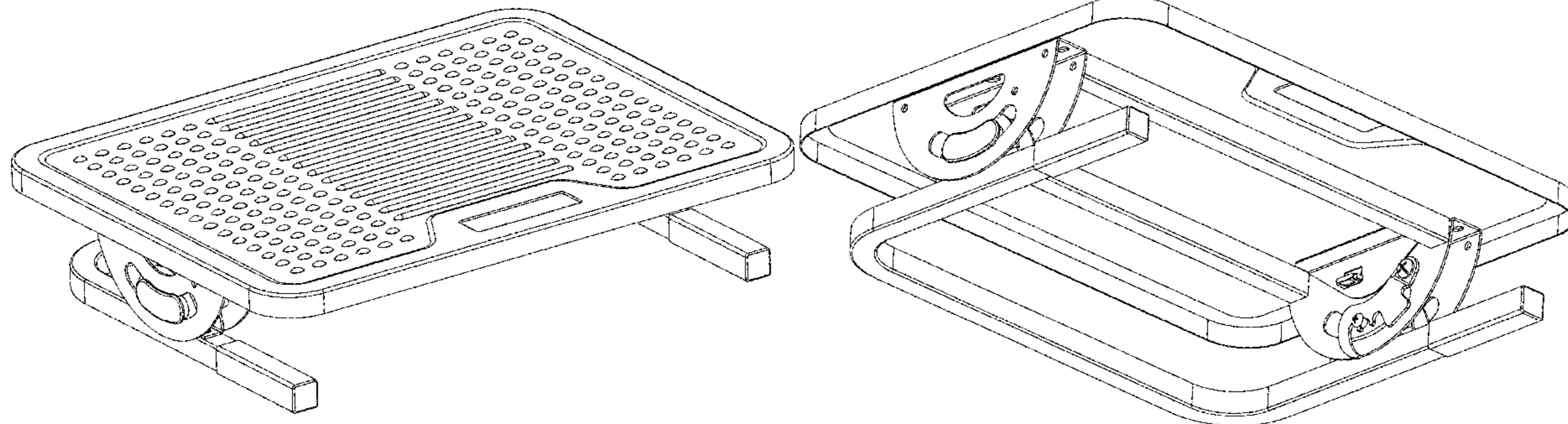
(57) **CLAIM**

The ornamental design for a pedal board, as shown and described.

DESCRIPTION

FIG. 1 is a top perspective view of the pedal board, showing my new design;
 FIG. 2 is a bottom perspective view thereof;
 FIG. 3 is a front view thereof;
 FIG. 4 is a bottom view thereof;
 FIG. 5 is a top view thereof;
 FIG. 6 is a rear side view thereof;
 FIG. 7 is a left side view thereof; and,
 FIG. 8 is a right side view thereof.

1 Claim, 8 Drawing Sheets



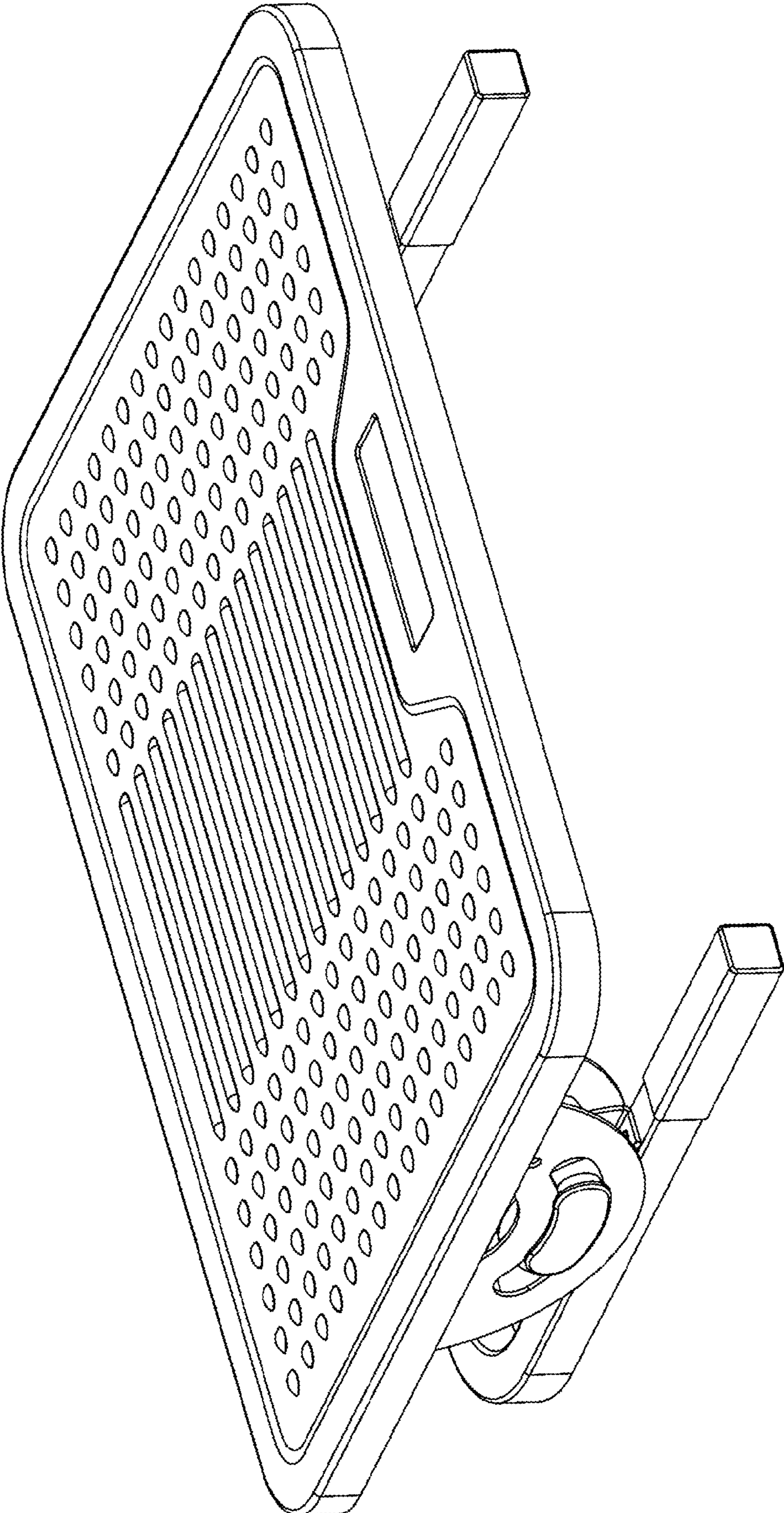


FIG.1

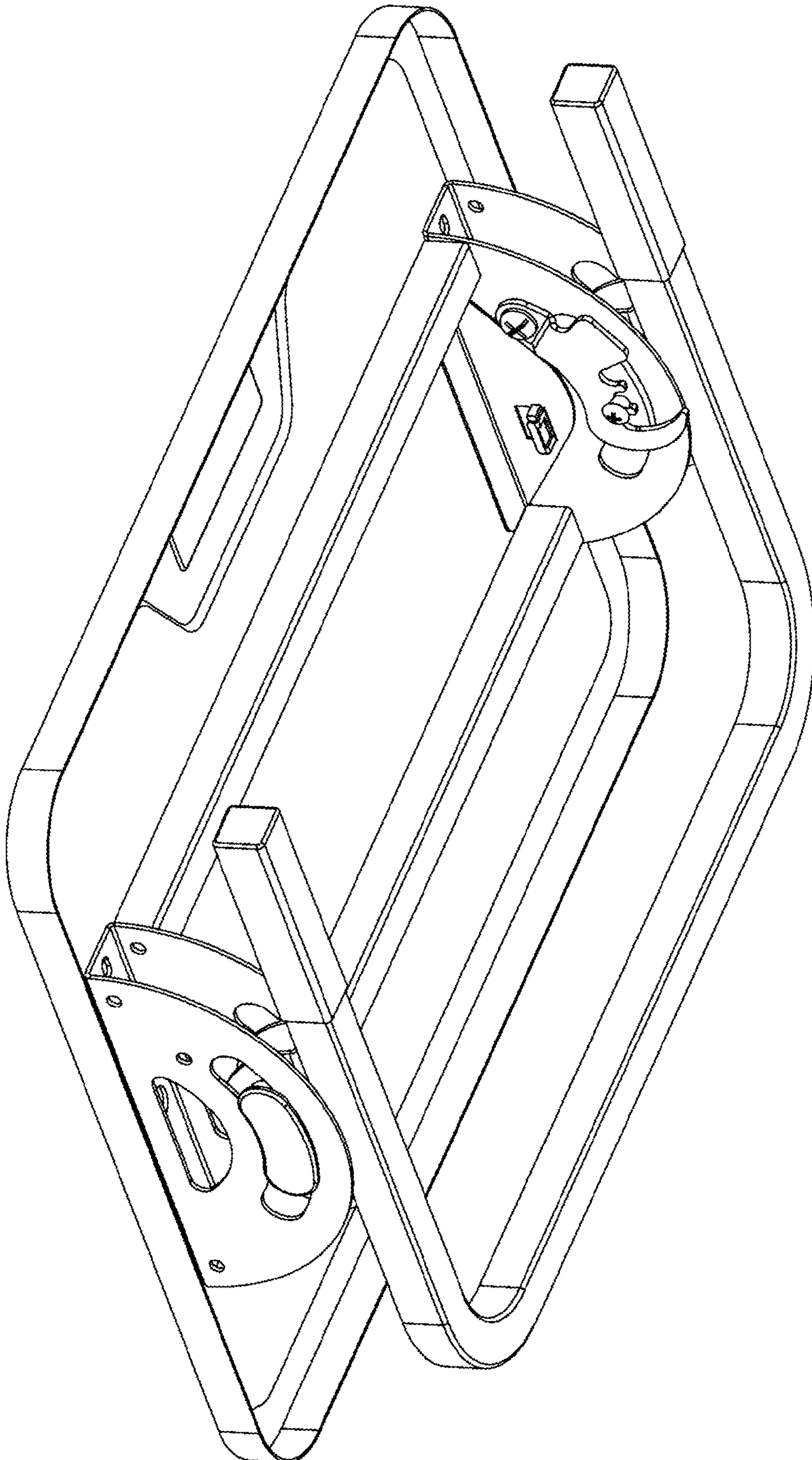


FIG. 2

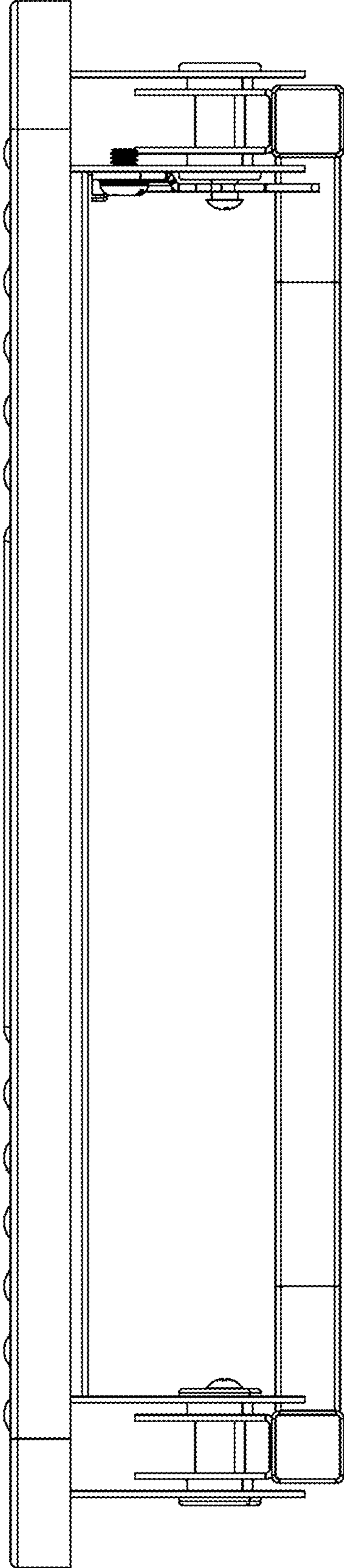


FIG.3

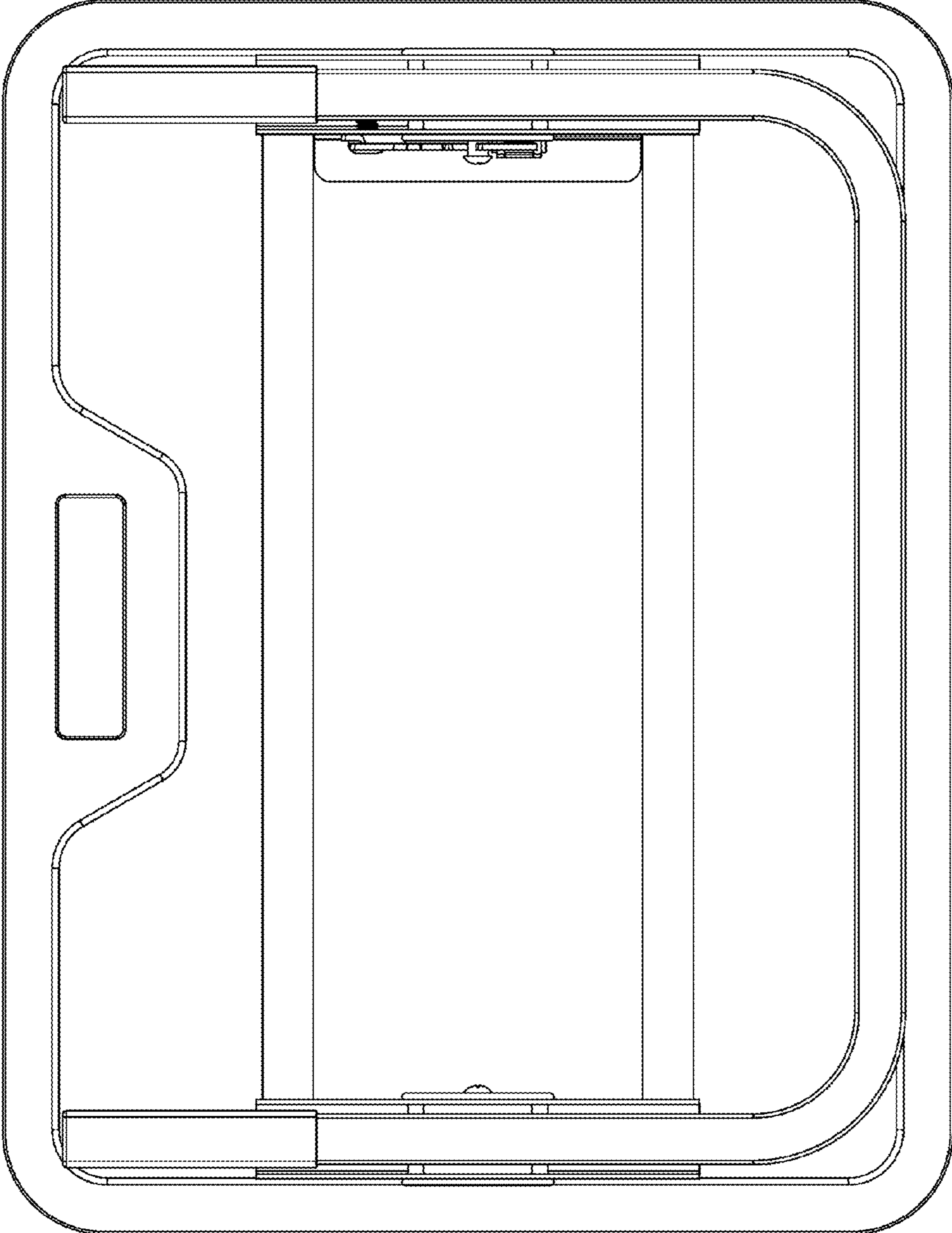


FIG.4

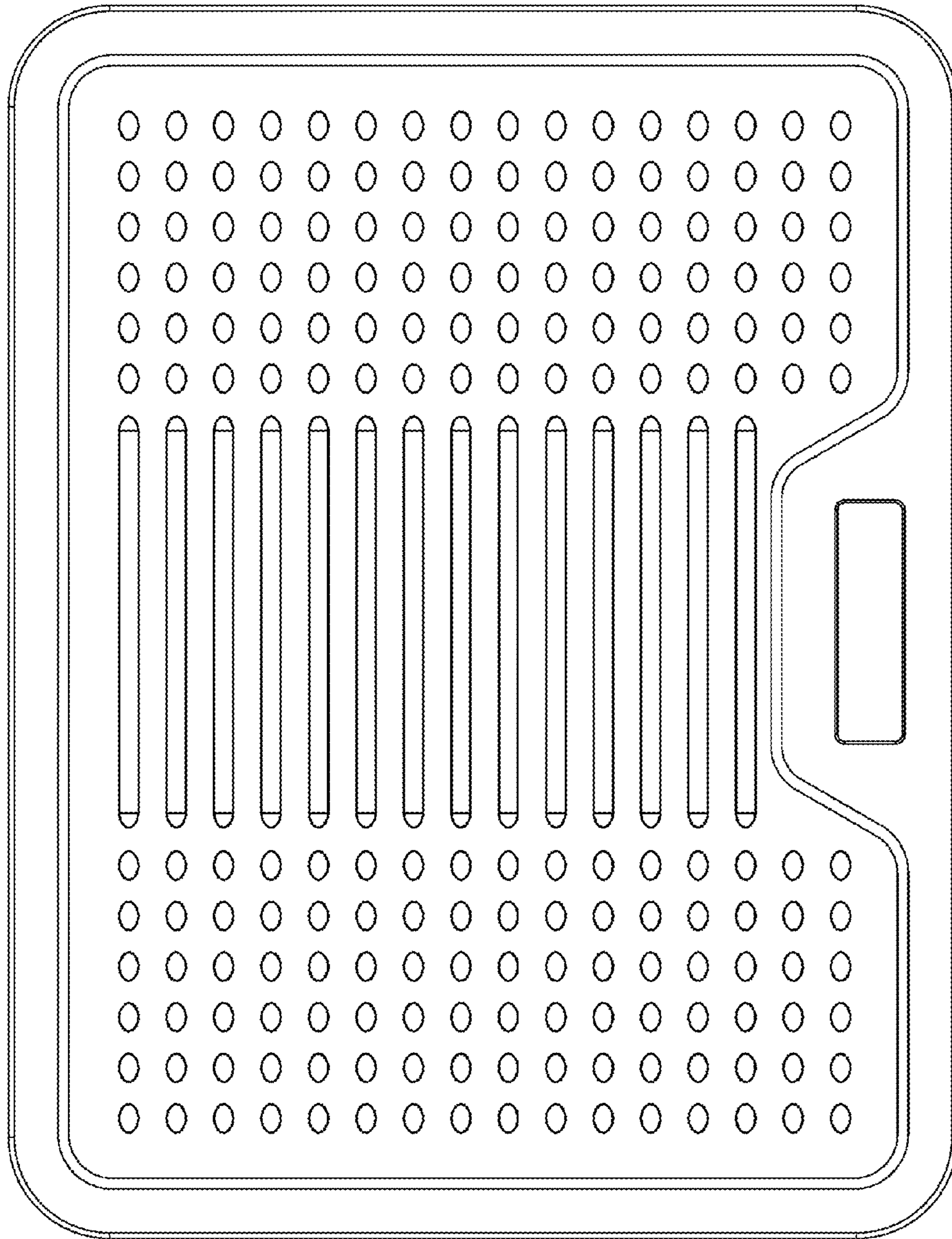


FIG.5

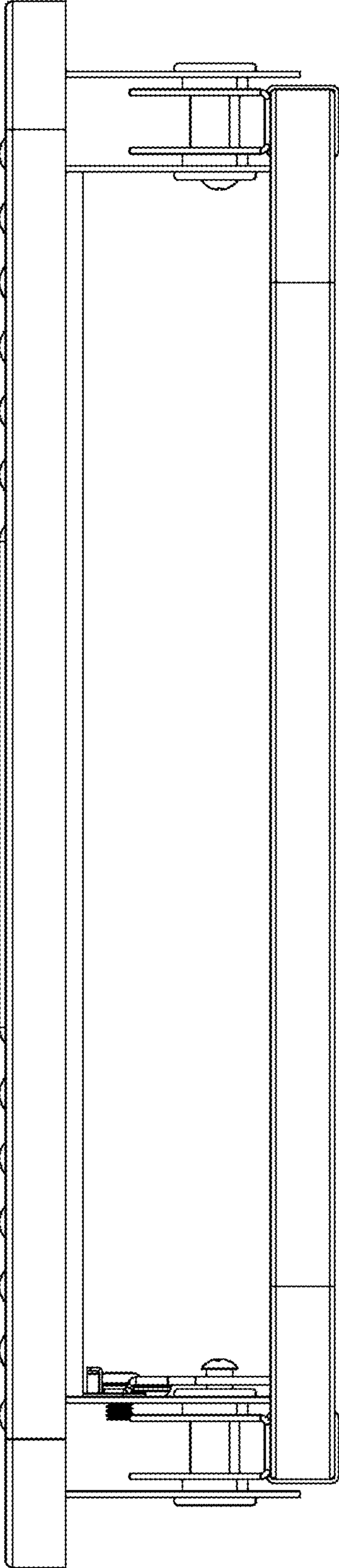


FIG.6

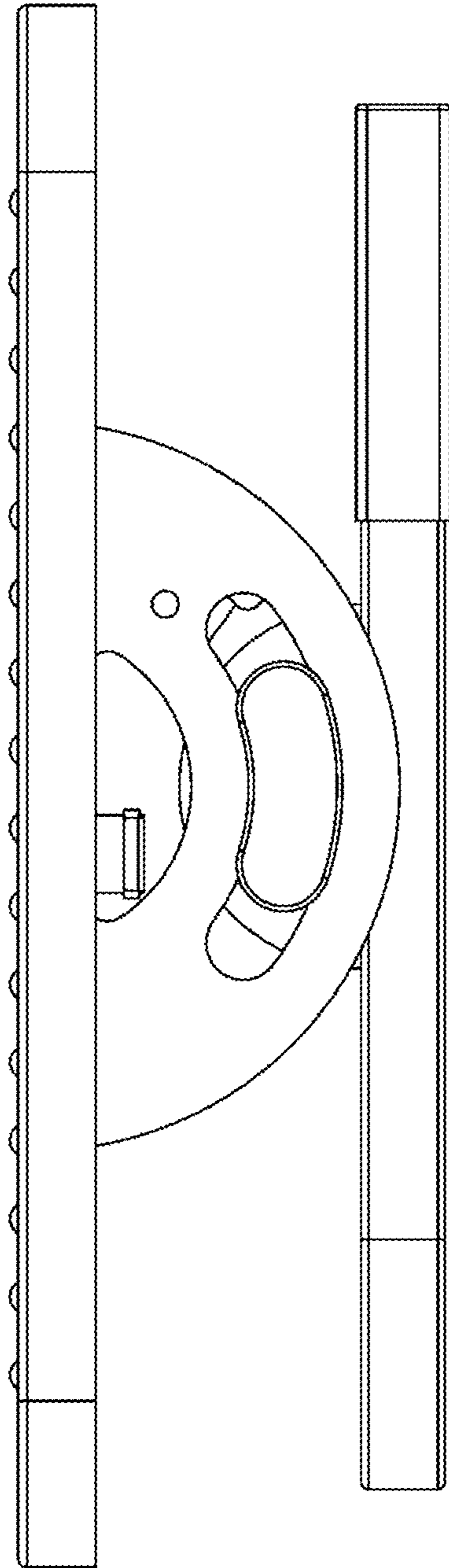


FIG.7

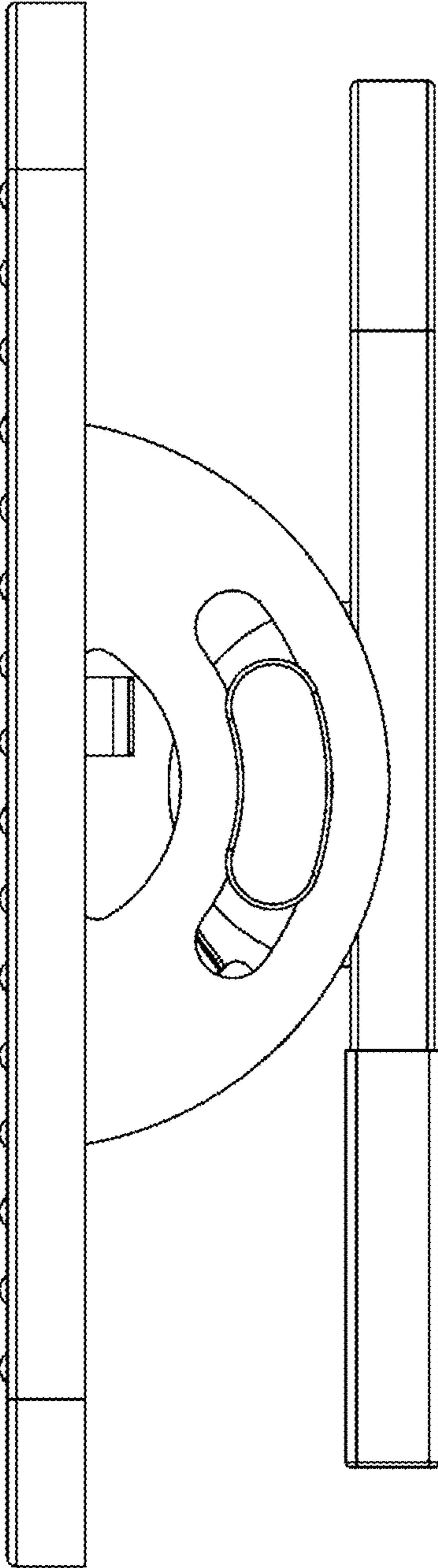


FIG.8