



US00D902609S

(12) **United States Design Patent**
Contois et al.

(10) **Patent No.:** **US D902,609 S**

(45) **Date of Patent:** **** Nov. 24, 2020**

(54) **PICNIC TABLE**

D813,559 S 3/2018 Prine, III
D846,292 S * 4/2019 Wynants D6/337
D874,839 S * 2/2020 Krouwel D6/337

(71) Applicant: **Parcel Inc.**, Holland, MI (US)

(72) Inventors: **James A. Contois**, Davenport, IA (US);
Douglas Sheldon Woodard, Holland,
MI (US)

(73) Assignee: **Parcel Inc.**, Davenport, IA (US)

(**) Term: **15 Years**

(21) Appl. No.: **29/670,824**

(22) Filed: **Nov. 20, 2018**

(51) **LOC (12) Cl.** **06-05**

(52) **U.S. Cl.**
USPC **D6/337**

(58) **Field of Classification Search**
USPC D6/334, 335, 336, 337, 338, 349, 355,
D6/368, 370
CPC A47B 3/002; A47B 3/14; A47B 2003/145;
A47B 83/02; A47B 83/0241
See application file for complete search history.

(56) **References Cited**

U.S. PATENT DOCUMENTS

| | | | | | |
|-----------|-----|---------|-----------|-------|------------------------|
| 2,722,971 | A * | 11/1955 | Gallagher | | A47B 3/14 297/158.5 |
| 2,746,525 | A * | 5/1956 | Cooper | | A47B 3/14 297/158.5 |
| D235,394 | S * | 6/1975 | Ruth | | D6/337 |
| D266,376 | S * | 10/1982 | Musgrove | | D6/337 |
| D553,868 | S * | 10/2007 | Knapper | | D6/337 |
| D718,541 | S * | 12/2014 | Pedersen | | D6/337 |
| D812,386 | S * | 3/2018 | Asner | | D6/337 |

OTHER PUBLICATIONS

Picnic Table 118, Couture Outdoor, site visited May 29, 2020, available online at <https://www.coutureoutdoor.com/product/modern-aluminum-teak-picnic-table/> (Year: 2020).*
“Handmade Picnic Tabales,” www.cassecroute.be/, © 2008-2018.

* cited by examiner

Primary Examiner — Cathron C Brooks

(74) *Attorney, Agent, or Firm* — Lane & Waterman LLP

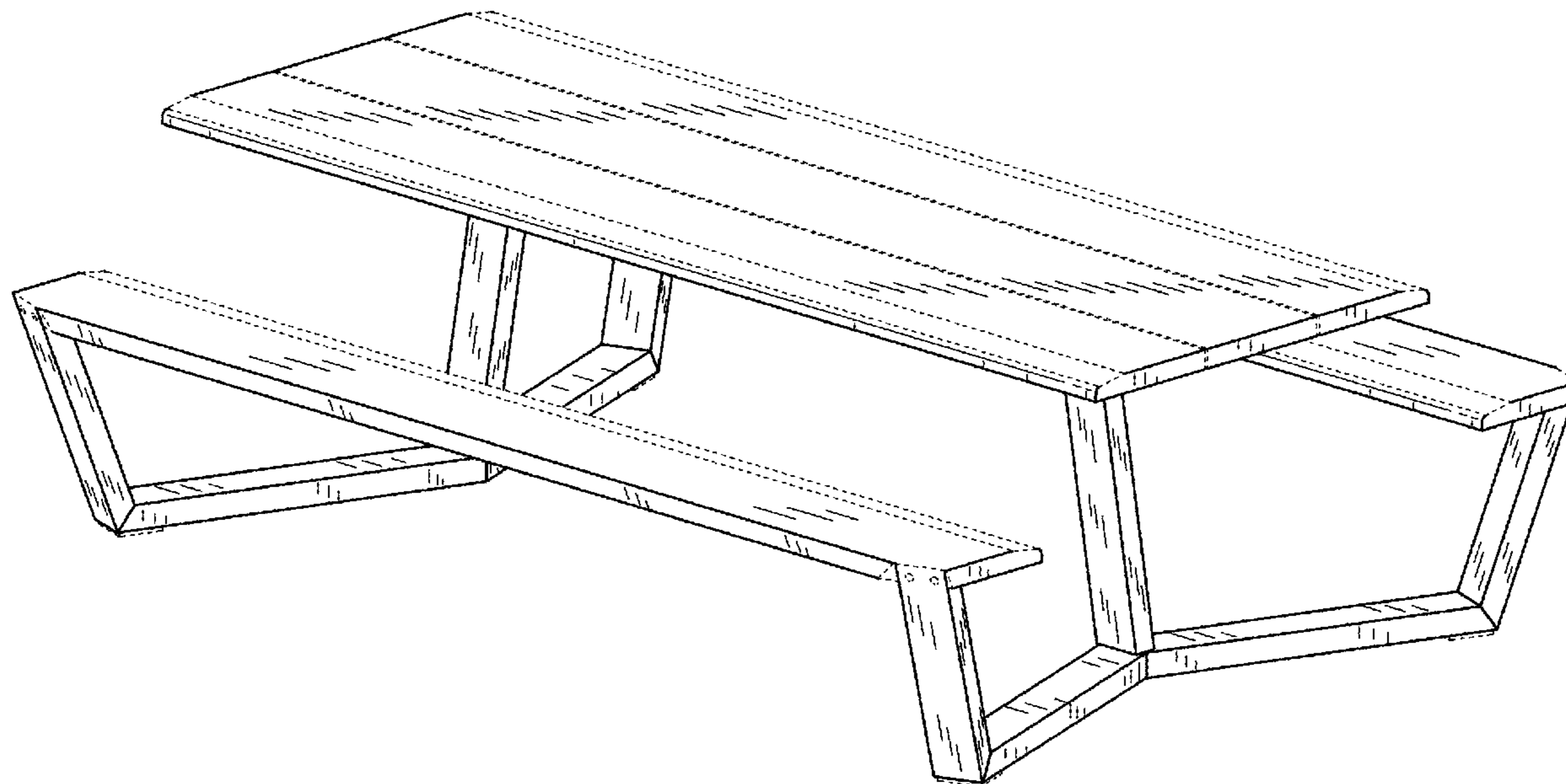
(57) **CLAIM**

The ornamental design for a picnic table, as shown and described.

DESCRIPTION

FIG. 1 is a top front perspective view of a picnic table, showing my new design;
FIG. 2 is a bottom front perspective view thereof;
FIG. 3 is a front elevational view thereof, the rear elevational view being a mirror image of the front elevational view thereof;
FIG. 4 is a left side elevational view thereof, the right side elevational view being a mirror image of the left side elevational view thereof;
FIG. 5 is a top view thereof; and,
FIG. 6 is a bottom view thereof.
In the drawings, the broken lines in the figures depict portions of the article that form no part of the claimed design.

1 Claim, 6 Drawing Sheets



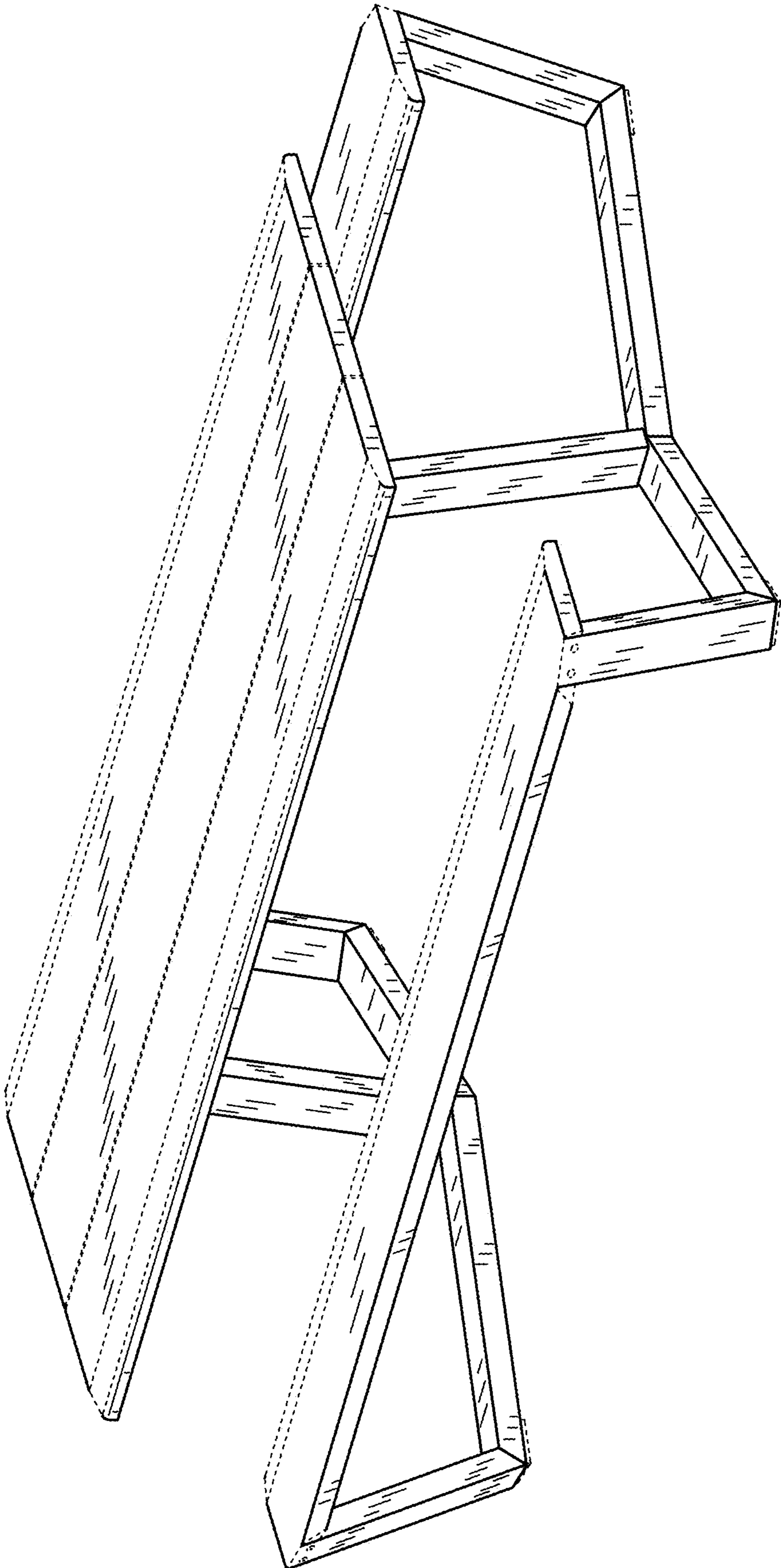


FIG. 1

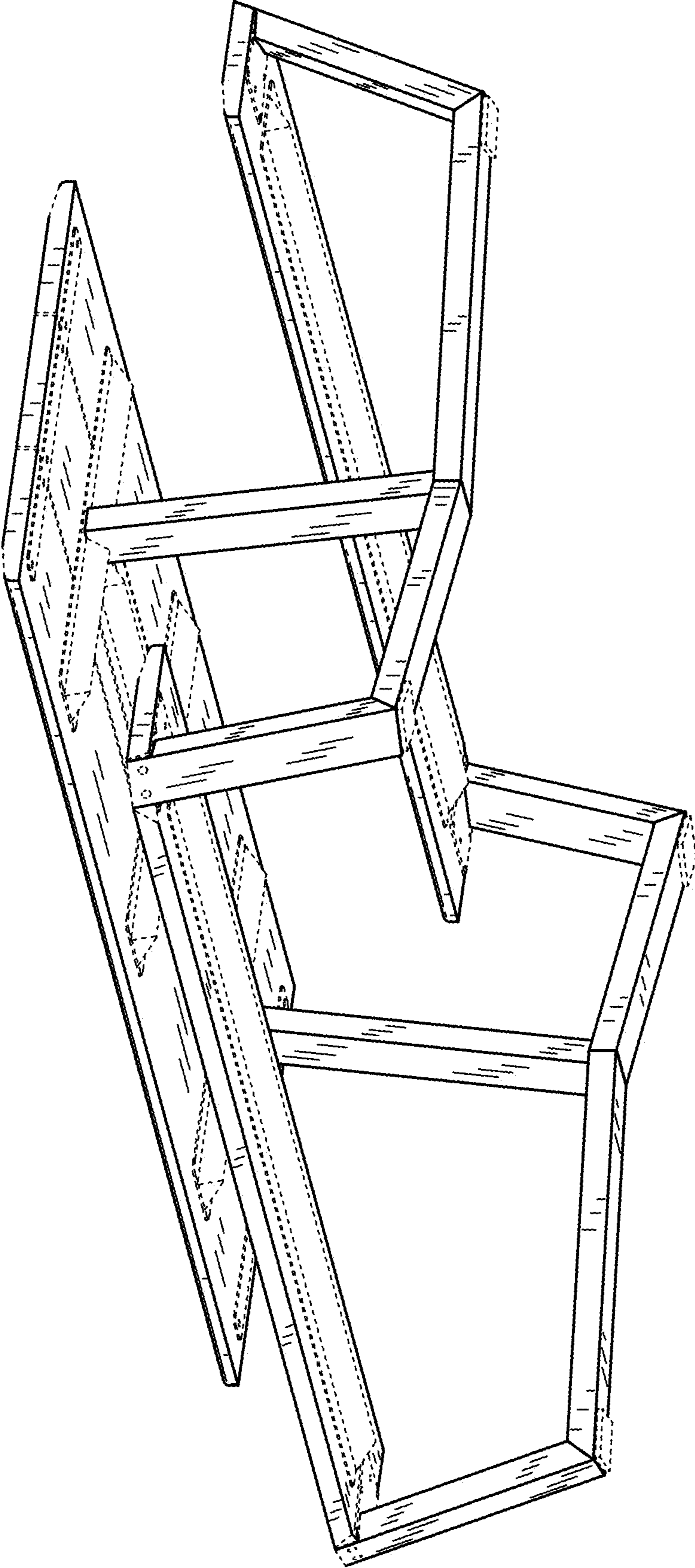


FIG. 2

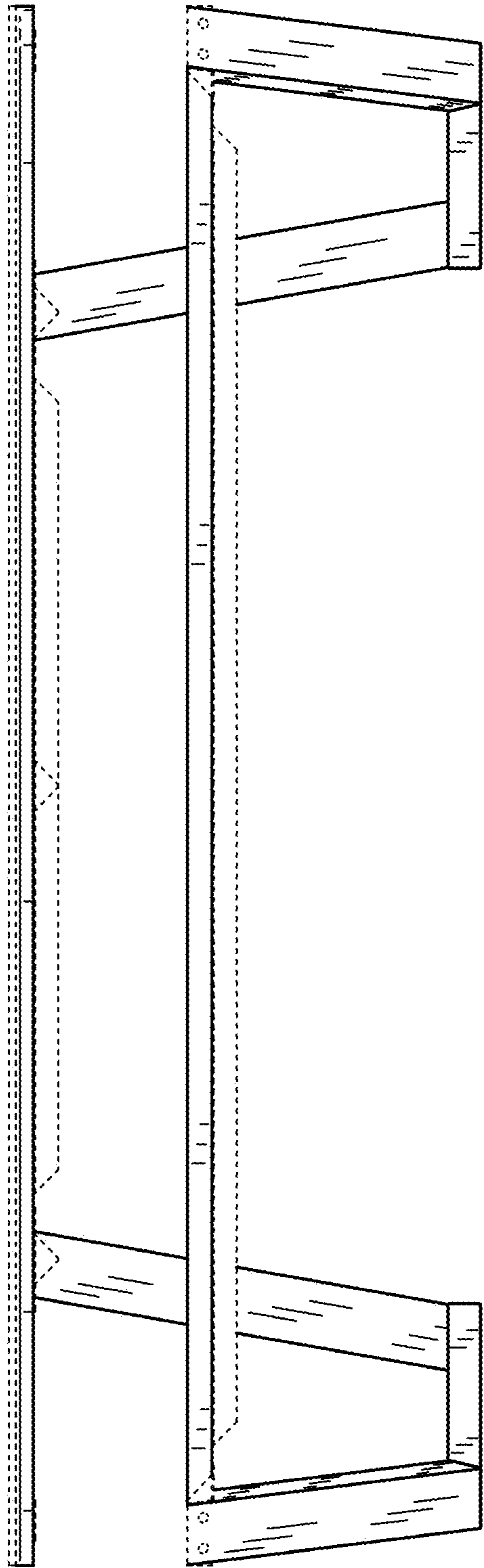


FIG. 3

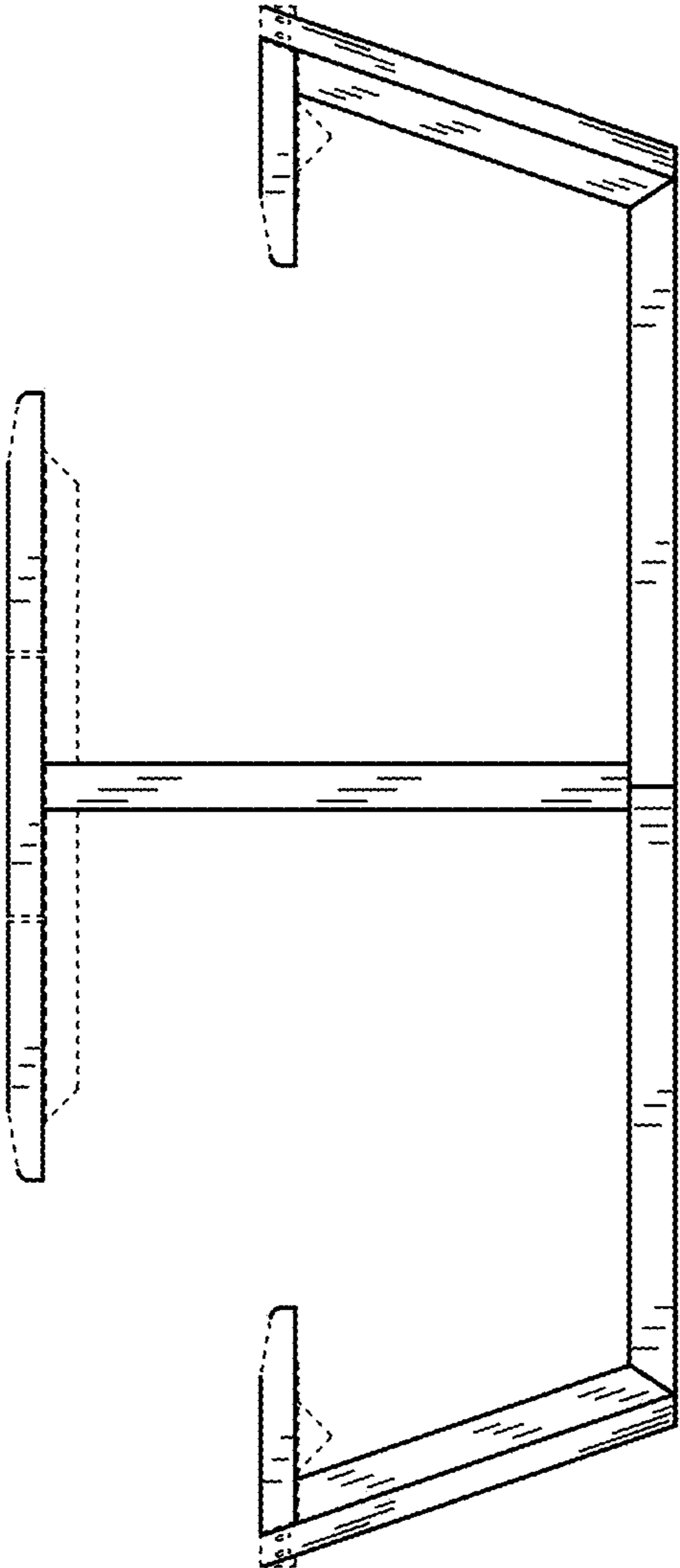


FIG. 4

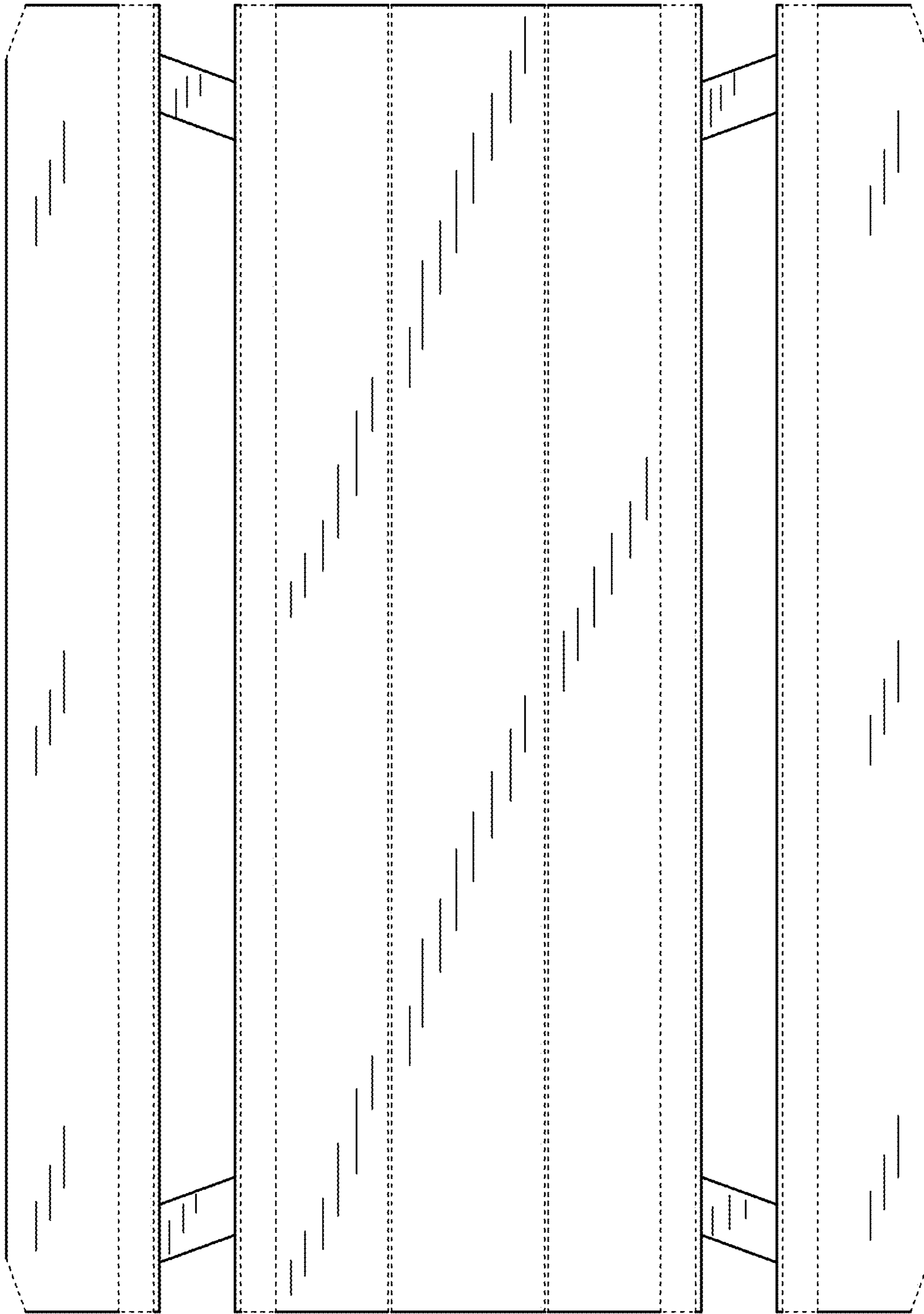


FIG. 5

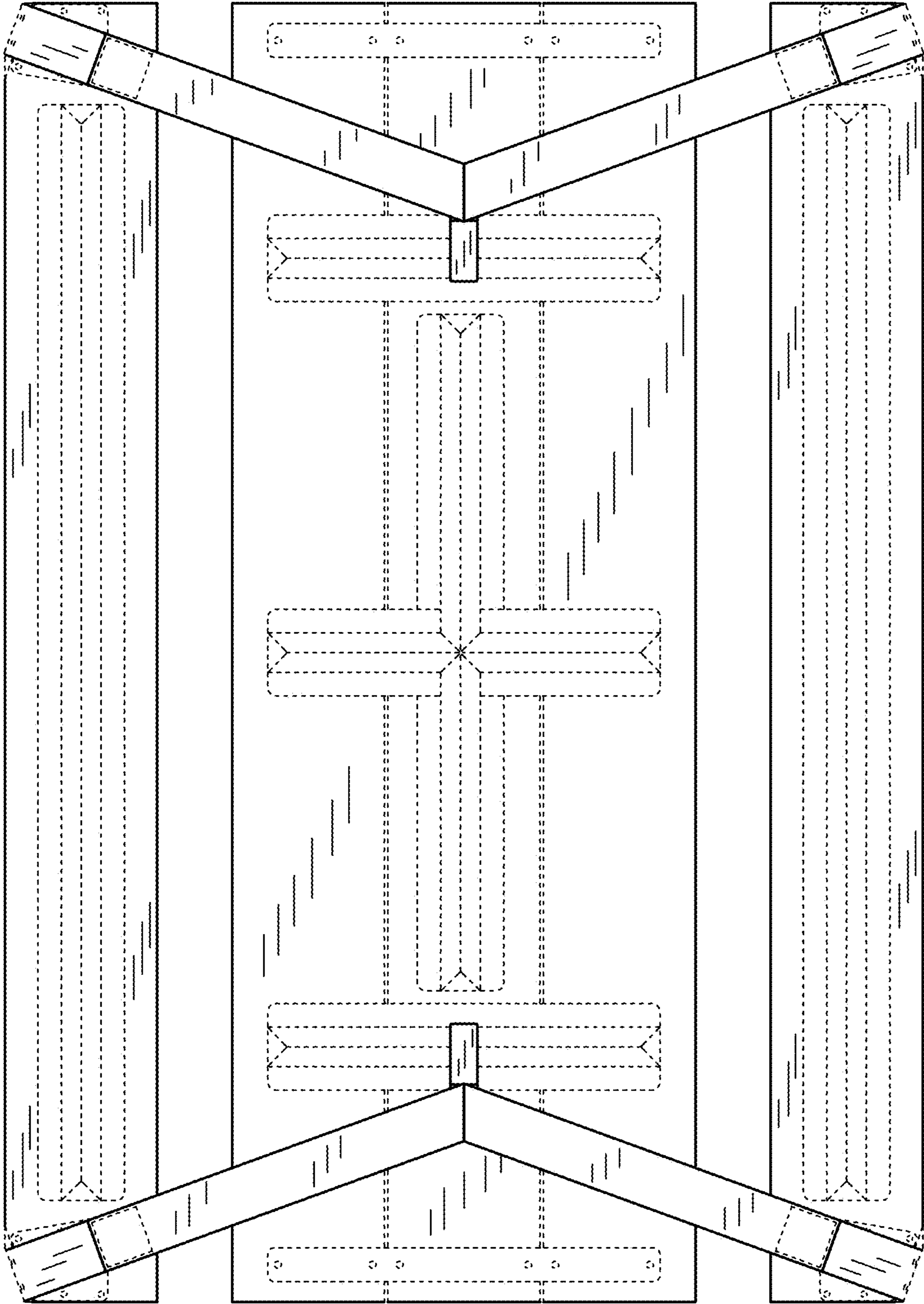


FIG. 6