



US00D902607S

(12) **United States Design Patent**  
**Liu**

(10) **Patent No.:** **US D902,607 S**

(45) **Date of Patent:** **\*\* Nov. 24, 2020**

(54) **MIRROR**

(71) Applicant: **Shaodan Liu**, Meizhou (CN)

(72) Inventor: **Shaodan Liu**, Meizhou (CN)

(\*\*) Term: **15 Years**

(21) Appl. No.: **29/677,129**

(22) Filed: **Jan. 17, 2019**

(51) **LOC (12) Cl.** ..... **06-06**

(52) **U.S. Cl.**  
USPC ..... **D6/308; D6/310**

(58) **Field of Classification Search**  
USPC ..... D6/300-314  
CPC ..... A47G 1/00; A47G 1/02; A47G 2200/08;  
F21V 33/0024; A45D 42/10  
See application file for complete search history.

(56) **References Cited**

**U.S. PATENT DOCUMENTS**

- 3,757,103 A \* 9/1973 Walter ..... F21V 33/00  
362/2
- D809,322 S \* 2/2018 Choi ..... D6/664.1
- D829,007 S \* 9/2018 Choi ..... D6/310
- D866,989 S \* 11/2019 Zhu ..... D6/308

- D879,480 S \* 3/2020 Yang ..... D6/308
- D880,171 S \* 4/2020 Yang ..... D6/308
- D882,279 S \* 4/2020 Zhu ..... D6/308
- 2018/0172262 A1 \* 6/2018 Garcia ..... F21V 33/004

\* cited by examiner

*Primary Examiner* — Deanna L Pratt

(74) *Attorney, Agent, or Firm* — Novoclaims Patent Services LLC; Mei Lin Wong

(57) **CLAIM**

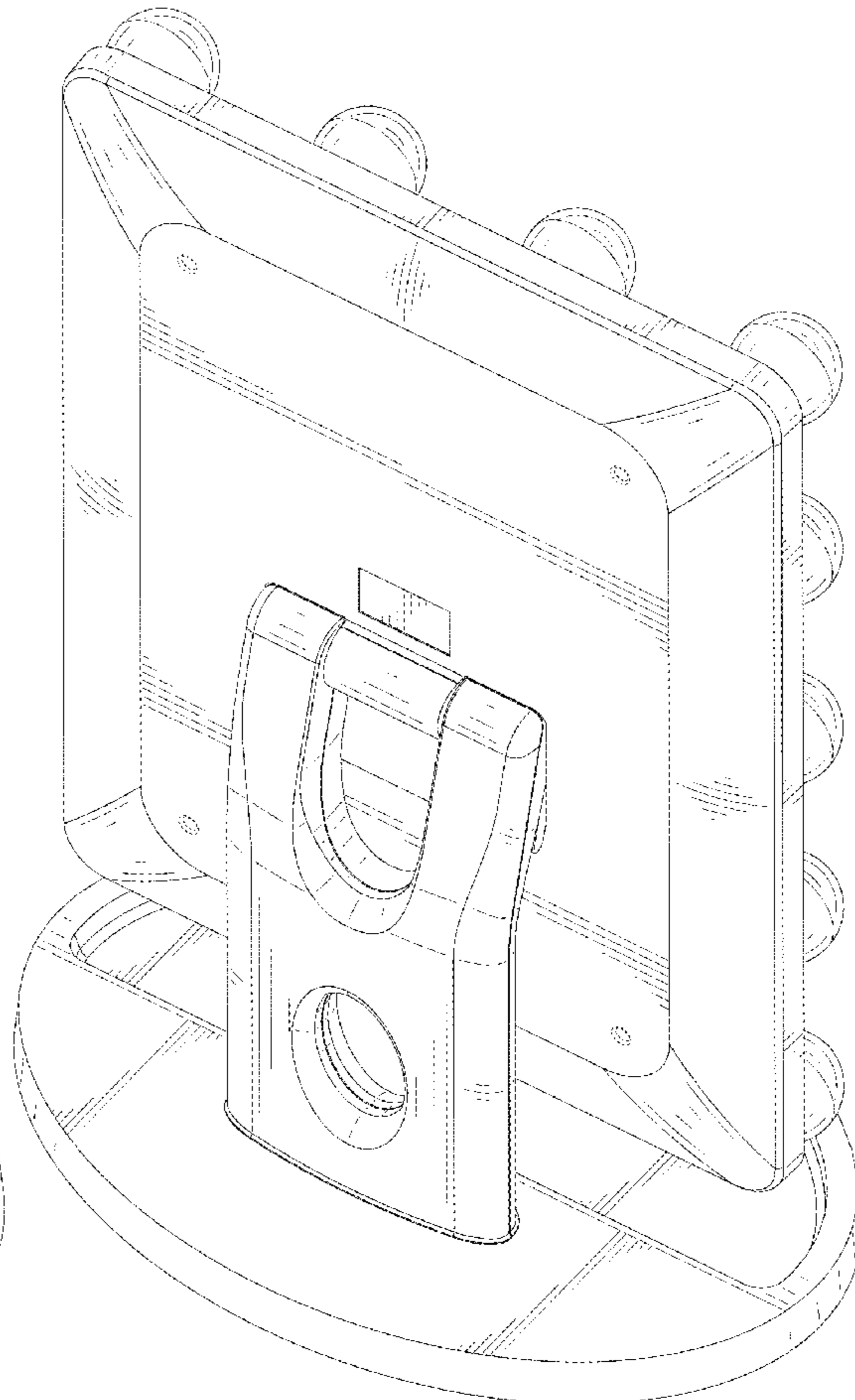
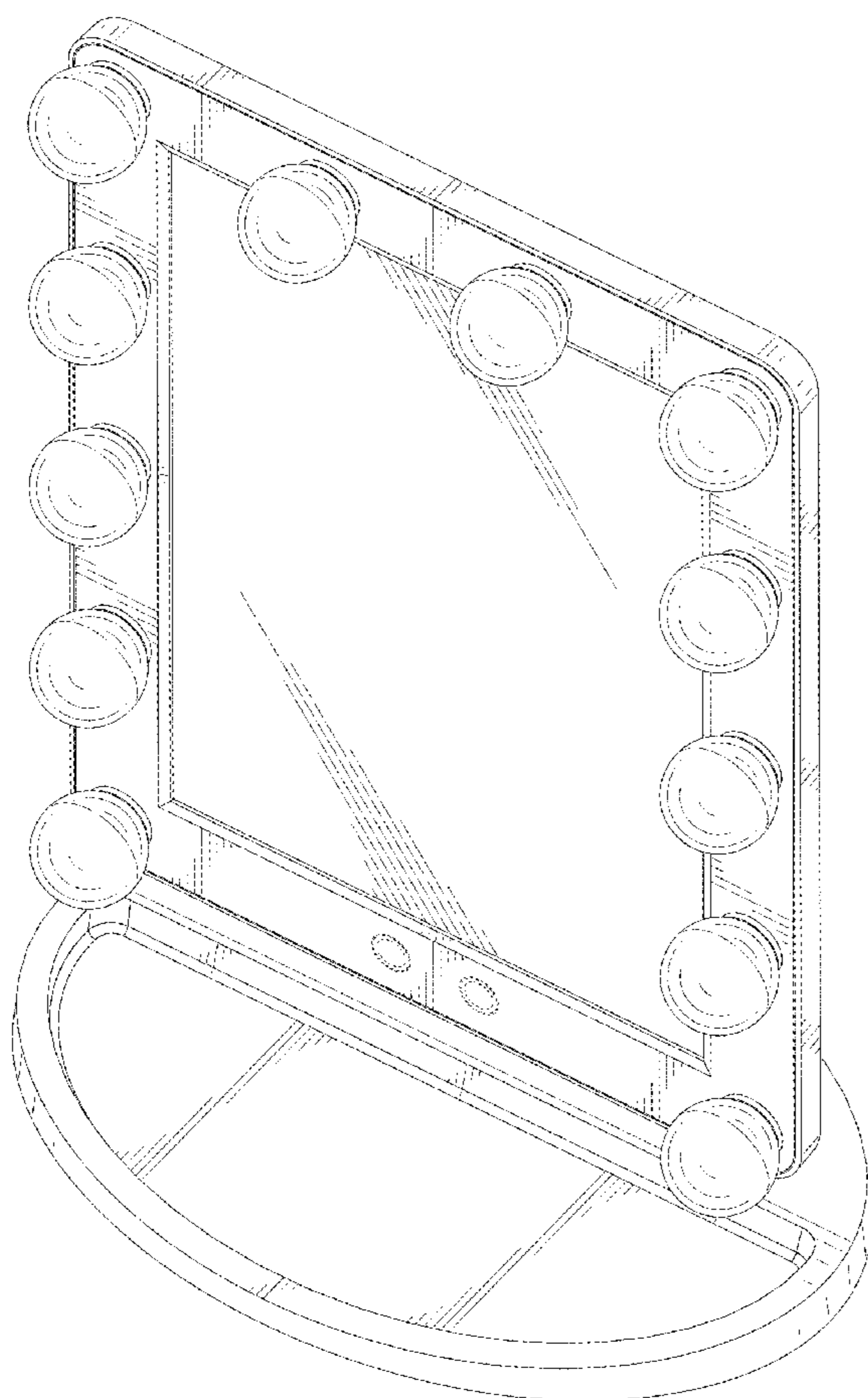
The ornamental design for a mirror, as shown and described.

**DESCRIPTION**

FIG. 1 is a perspective view of a mirror, showing my new design;  
 FIG. 2 is a rear perspective view thereof;  
 FIG. 3 is a front view thereof;  
 FIG. 4 is a rear view thereof;  
 FIG. 5 is a left side view thereof;  
 FIG. 6 is a right side view thereof;  
 FIG. 7 is a top view thereof; and,  
 FIG. 8 is a bottom view thereof.

The broken-line in the drawings are included for the purpose of showing portions of the article that form no part of the claimed design.

**1 Claim, 8 Drawing Sheets**



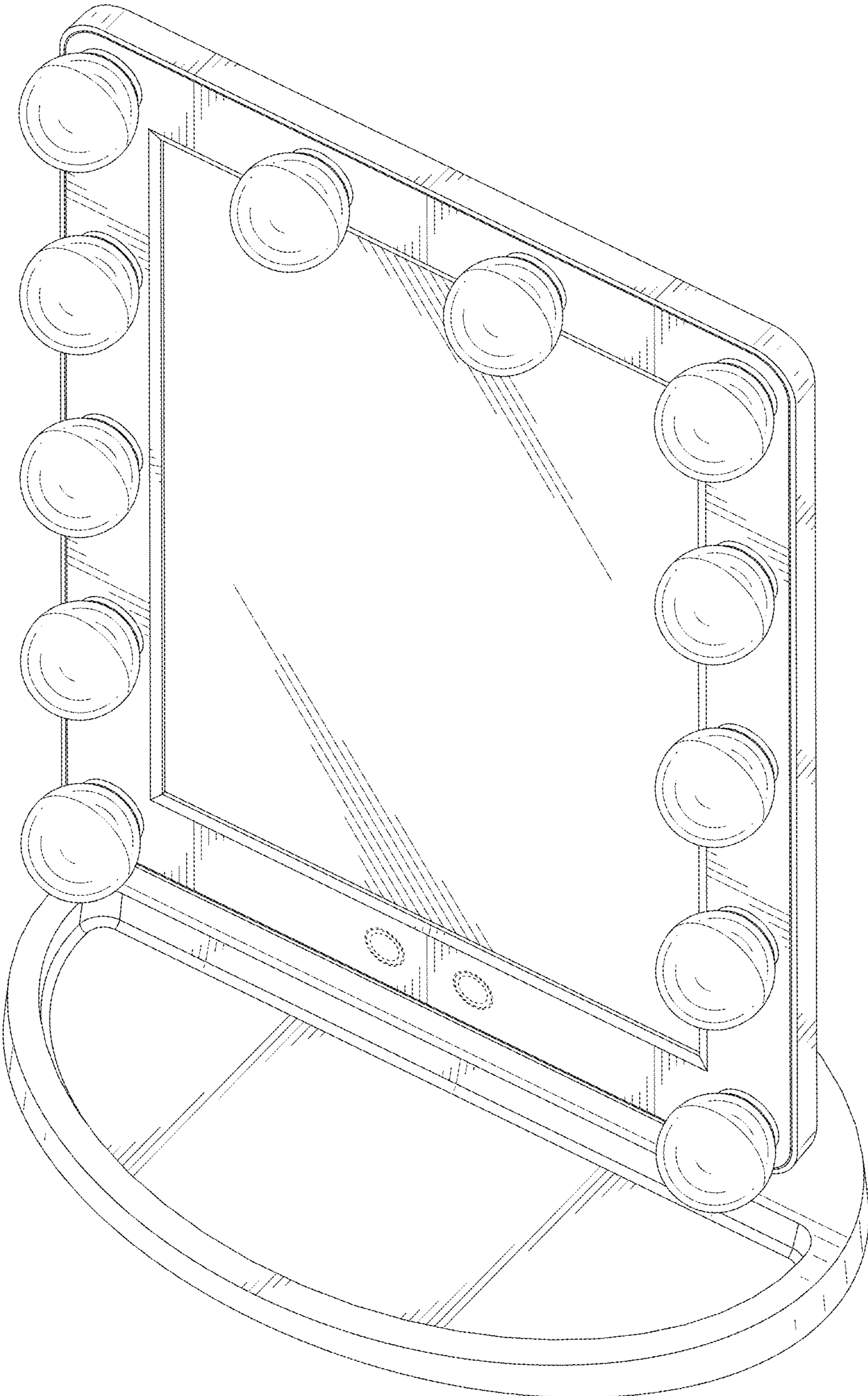


FIG.1

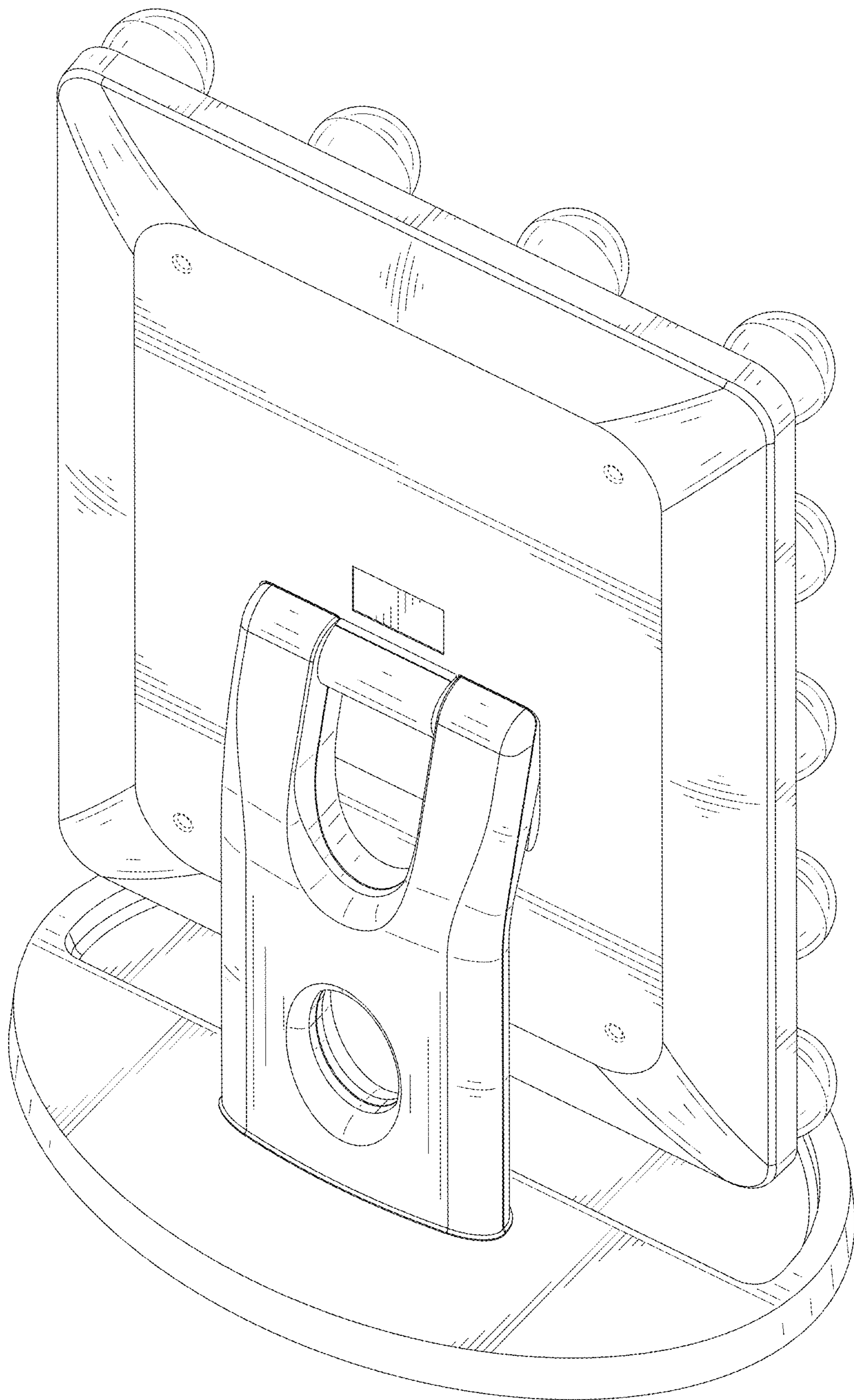


FIG.2

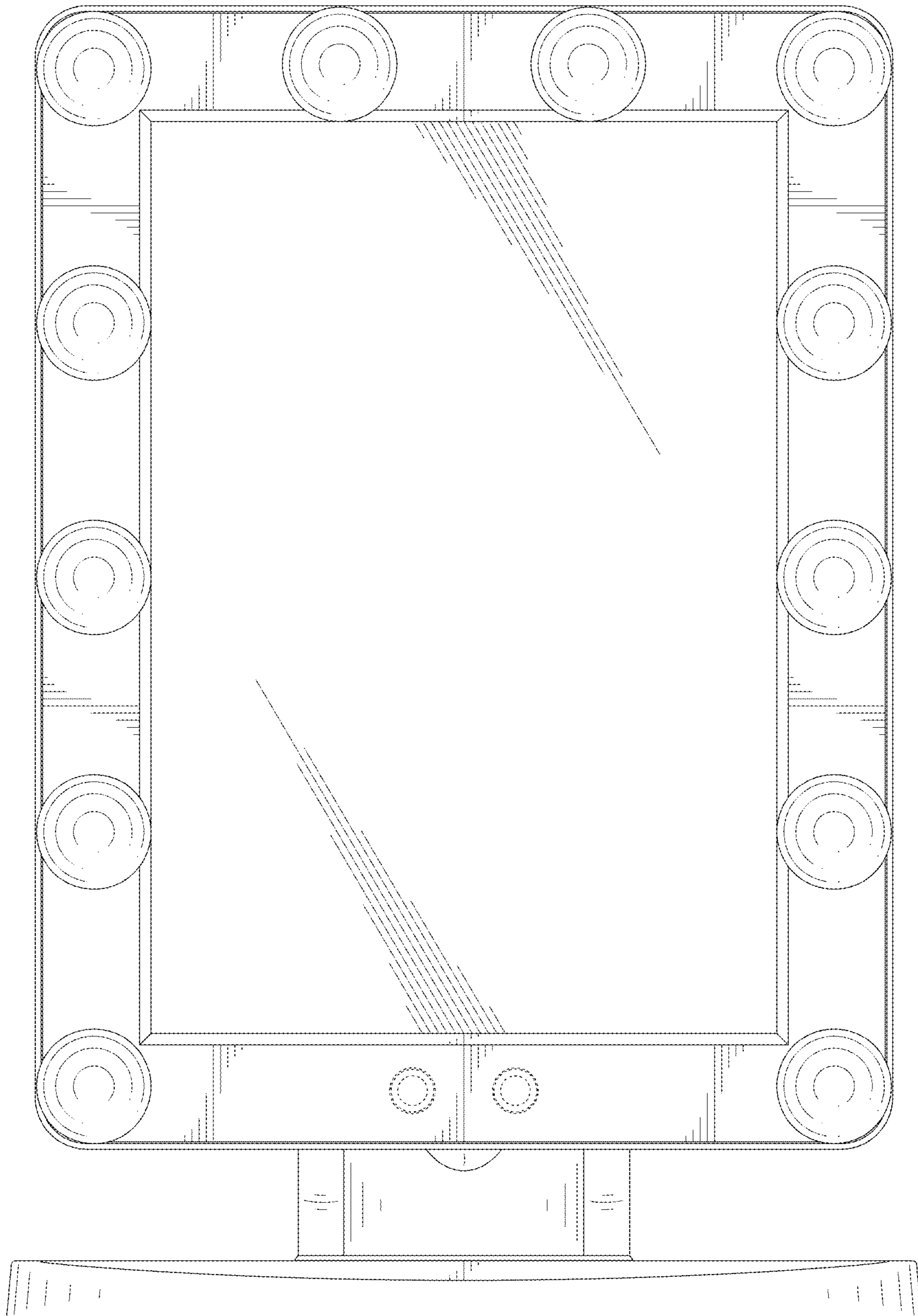


FIG.3

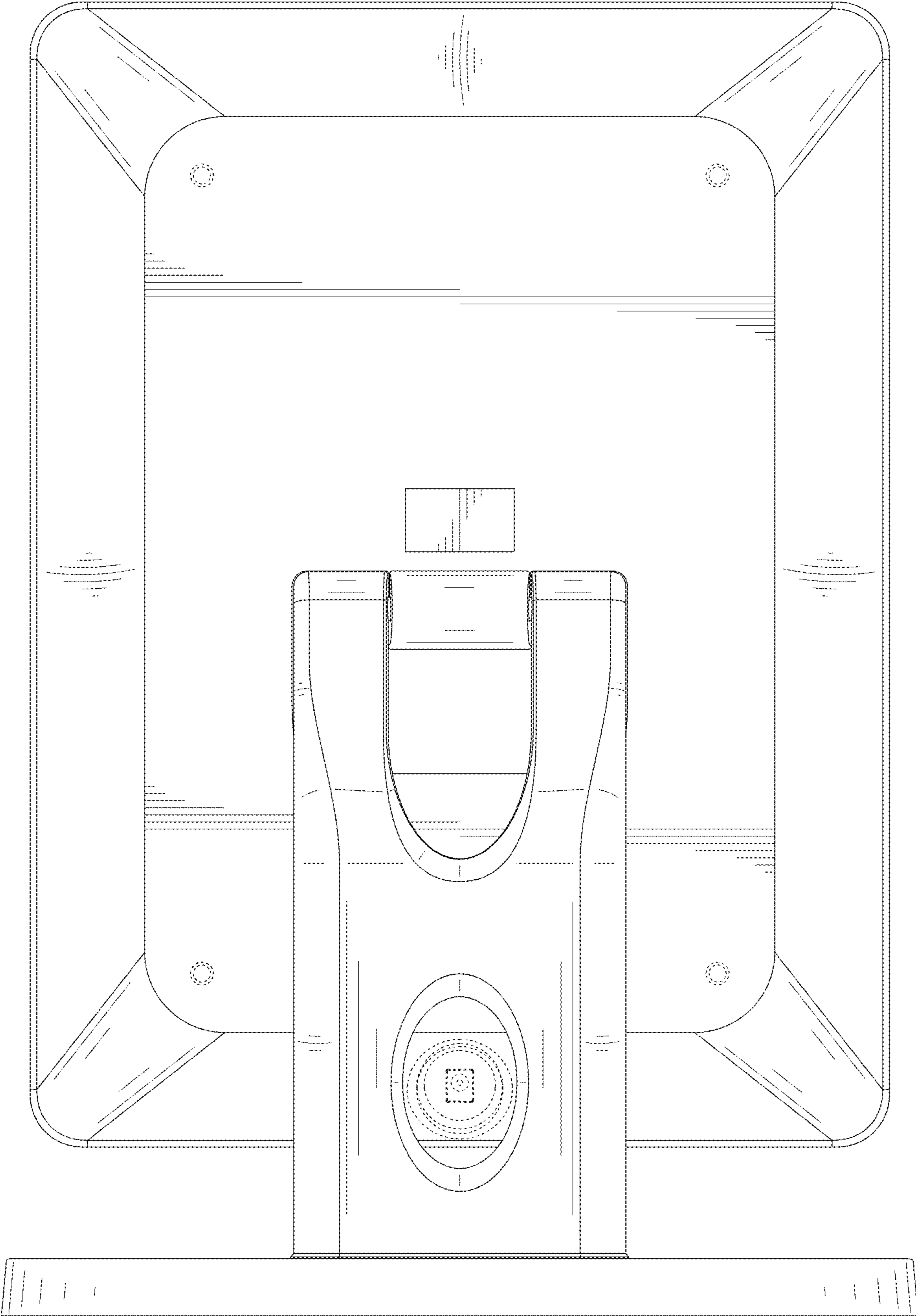


FIG.4

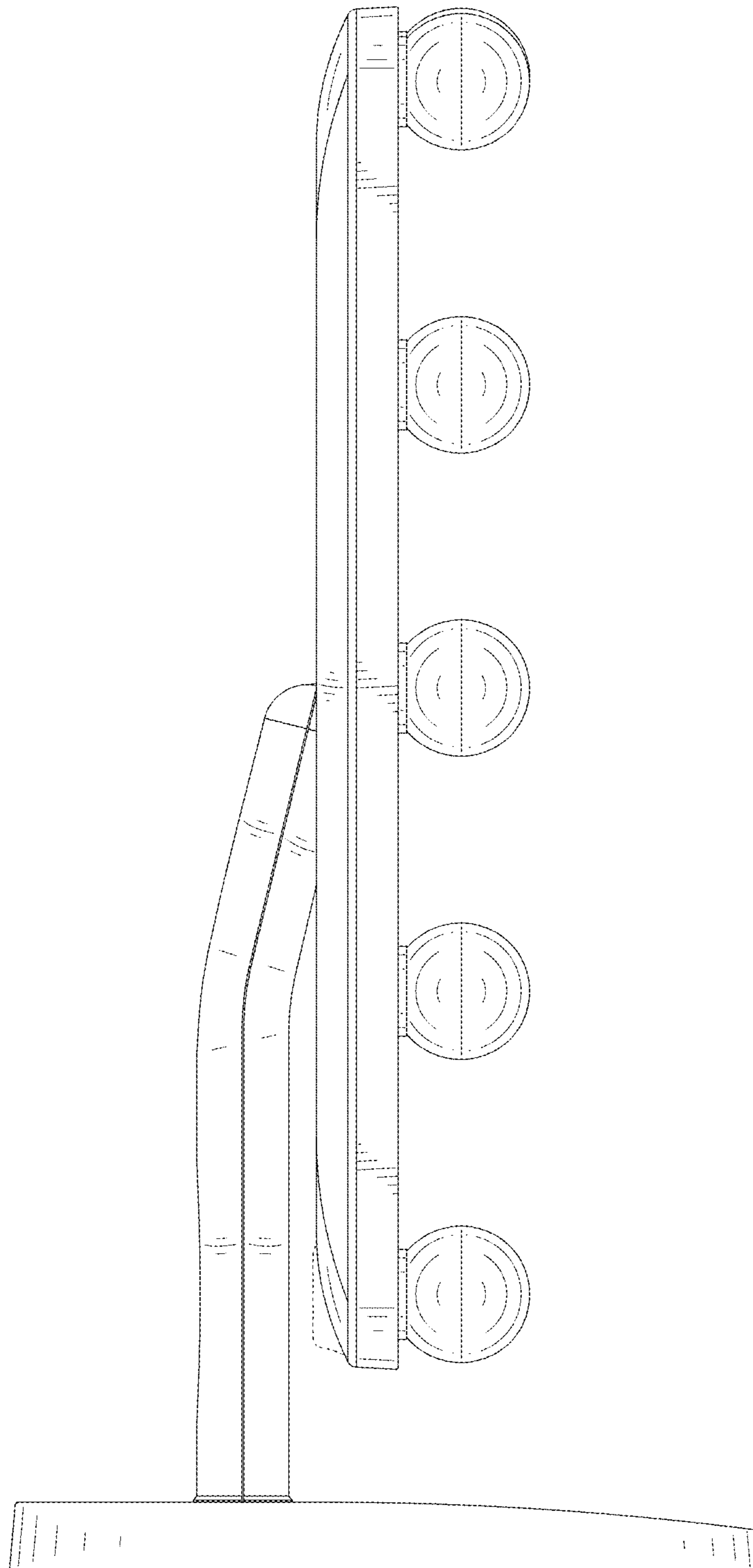


FIG.5

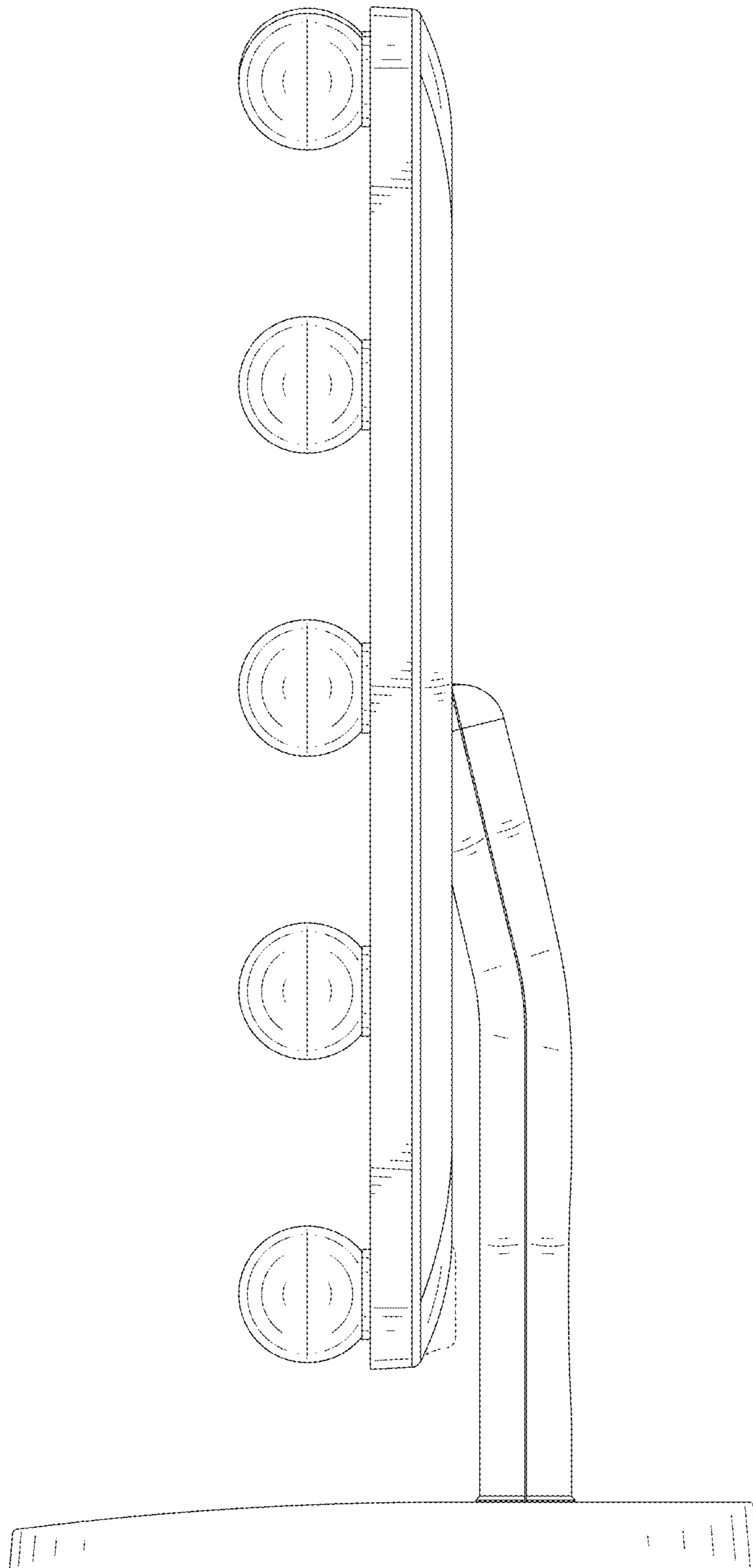


FIG.6

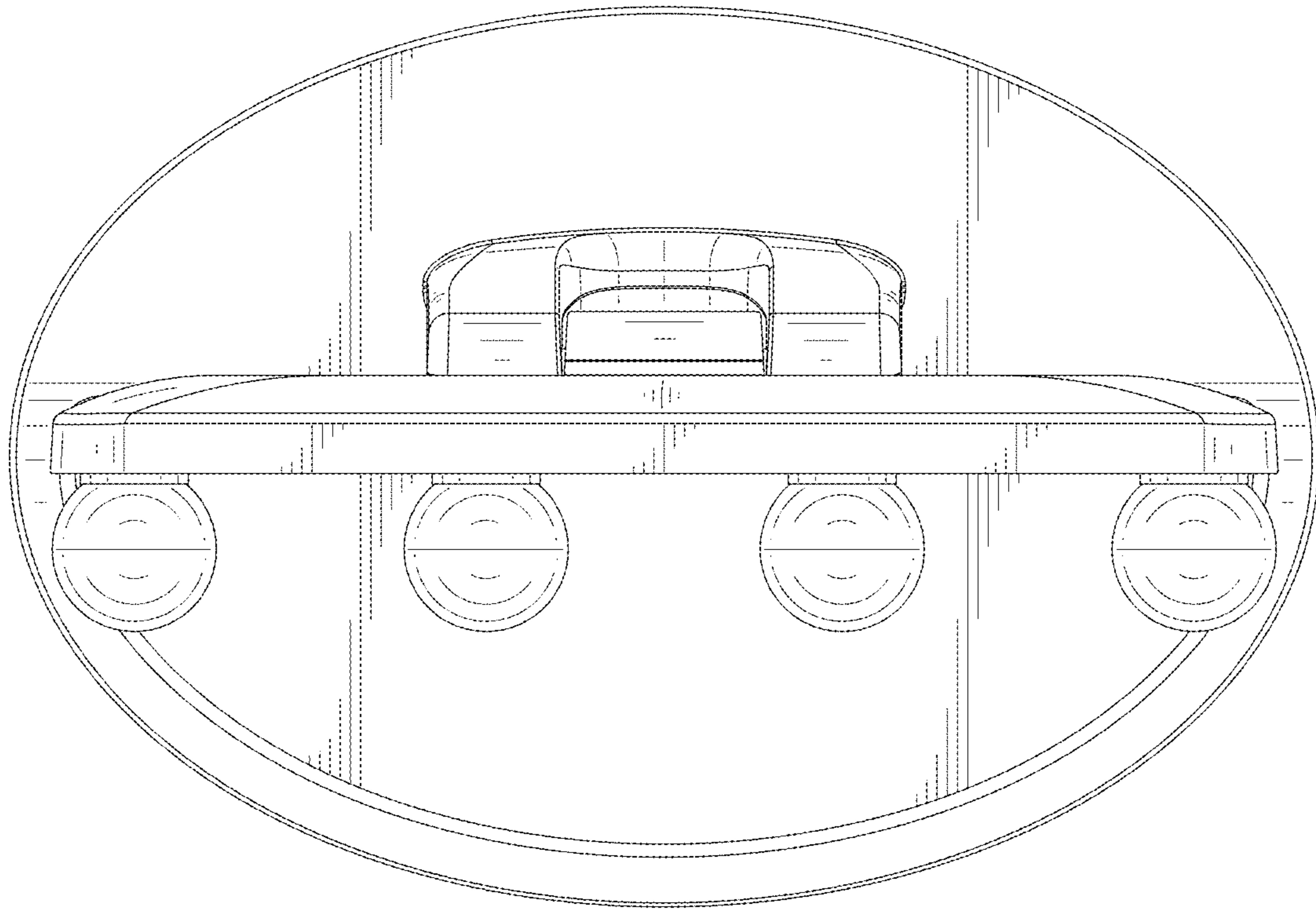


FIG.7



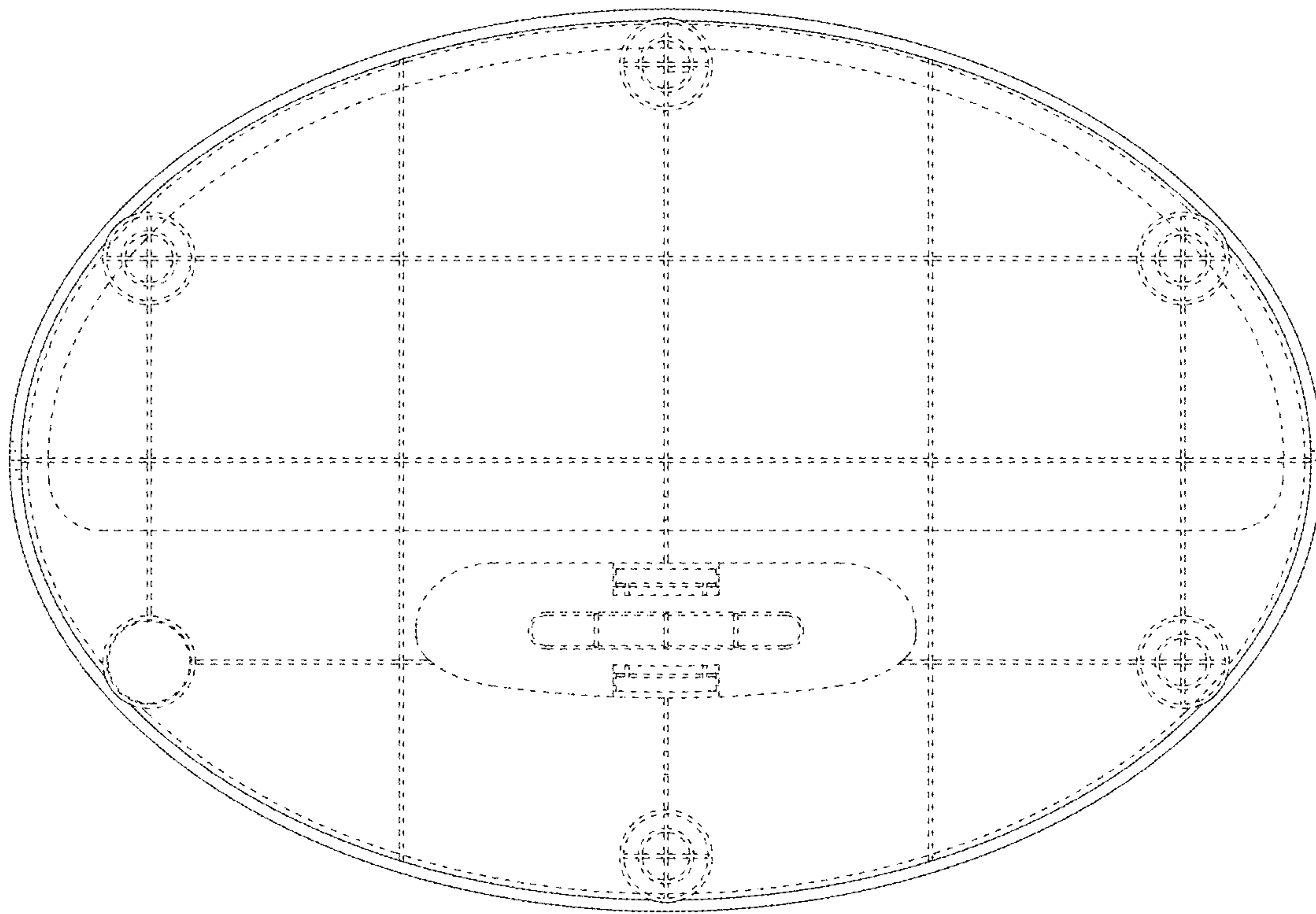


FIG.8