



US00D902603S

(12) **United States Design Patent**
Zhanye

(10) **Patent No.:** **US D902,603 S**

(45) **Date of Patent:** **** Nov. 24, 2020**

- (54) **HAIR STRAIGHTENING BRUSH**
- (71) Applicant: **Dongguan Mandi Electric Appliance Co.Ltd, Dongguan (CN)**
- (72) Inventor: **Zong Zhanye, Dongguan (CN)**
- (**) Term: **15 Years**
- (21) Appl. No.: **29/735,292**
- (22) Filed: **May 20, 2020**
- (51) **LOC (12) Cl.** **28-03**
- (52) **U.S. Cl.**
USPC **D4/102; D28/15**
- (58) **Field of Classification Search**
USPC D4/100, 116, 117, 118, 121, 122, 123, D4/127, 128, 129, 130, 132, 133, 134, D4/135, 136, 138, 199; D28/7, 13, 24, D28/25, 26, 15; 15/207.2; 132/120, 210, 132/271, 222
CPC .. A46B 9/06; A46B 9/023; A46B 5/00; A46B 5/02; A46B 15/003; A46B 9/028; A46B 2200/104; A45D 20/48; A45D 20/50
See application file for complete search history.

- D859,739 S * 9/2019 Bourgeois D28/15
 - D872,358 S * 1/2020 Liao D28/13
 - D879,374 S * 3/2020 Liao D28/13
 - D880,061 S * 3/2020 Liao D28/15
- (Continued)

FOREIGN PATENT DOCUMENTS

- EM 003419027-0001 * 11/2016
- EM 007732748-0002 * 3/2020
- WO WO-D096485-001 * 6/2017

OTHER PUBLICATIONS

Yinker 4 in 1 One Step Hair Dryer . . . [on-line]. [Original publication date unknown.] [Retrieved from the Internet Jul. 16, 2020.] Retrieved from www.amazon.com. For complete URL, see bottom of p. 7 of copy. (Year: 2020).*

(Continued)

Primary Examiner — Karen E Eldridge Powers
(74) *Attorney, Agent, or Firm* — KA Filing LLC; Cynthia W. Flanigan

(57) **CLAIM**

I claim the ornamental design for a hair straightening brush, as shown and described.

DESCRIPTION

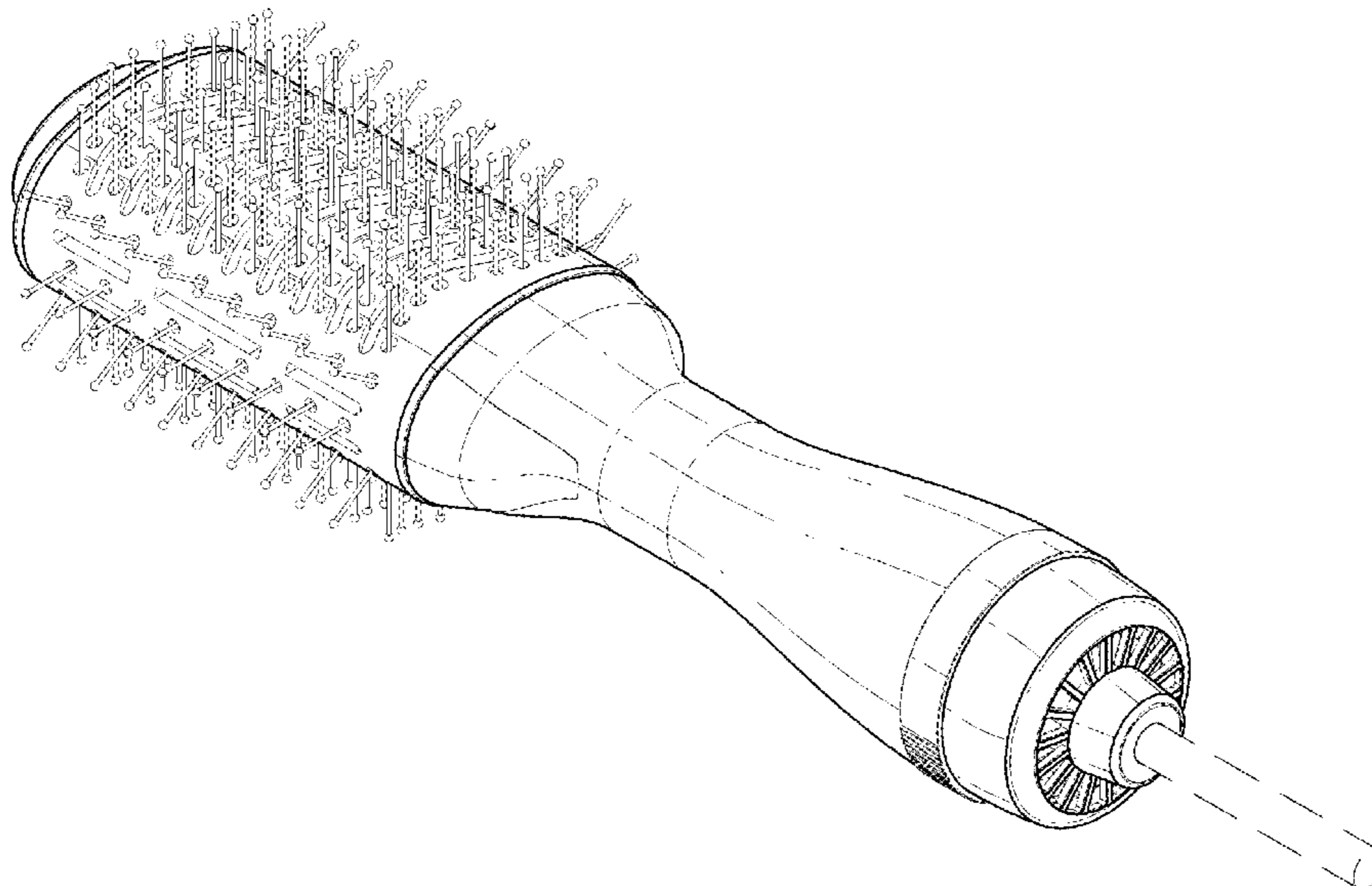
FIG. 1 is a top perspective view of a hair straightening brush showing my new design;
 FIG. 2 is a front elevation view thereof;
 FIG. 3 is a rear elevation view thereof;
 FIG. 4 is a left-side elevation view thereof;
 FIG. 5 is a right-side elevation view thereof;
 FIG. 6 is a top plan view thereof; and,
 FIG. 7 is a bottom plan view thereof.
 The broken lines illustrate environmental structure and form no part of the claimed design.

1 Claim, 6 Drawing Sheets

(56) **References Cited**

U.S. PATENT DOCUMENTS

- 3,890,984 A * 6/1975 Lesetar A46B 13/02
132/271
- D273,141 S * 3/1984 Webb D28/13
- 4,695,704 A * 9/1987 Andis A45D 1/04
219/222
- D469,257 S * 1/2003 Cheung D4/128
- D471,718 S * 3/2003 Park D4/133
- D472,053 S * 3/2003 Park D4/128
- 6,817,053 B2 * 11/2004 Nakamura A46D 1/00
15/160
- D557,018 S * 12/2007 Park D4/128
- D738,625 S * 9/2015 Julemont D4/102
- D800,454 S * 10/2017 Mathieu D4/102
- 10,098,433 B2 * 10/2018 Habibi A45D 20/48



(56)

References Cited

U.S. PATENT DOCUMENTS

D884,360 S * 5/2020 Hou D4/128

OTHER PUBLICATIONS

Mandi Hot Selling 2 in 1 1000w Hot Air Hair Brush Hair Dryer Brush . . . [on-line]. [Original publication date unknown.] [Retrieved from the Internet Jul. 16, 2020.] URL: >https://www.alibaba.com/product-detail/Mandi-hot-selling-2-in-1_62482440739.html?spm=a2700.7724857.normalList.31.55ee37b2jk6EzR (Year: 2020).*

Hair Styling tool Dryer Curler Electric Ions rotating Hot Brush [on-line]. [Original publication date unknown.] [Retrieved from the Internet Jul. 16, 2020.] From: happierplus.com. For complete URL, see bottom of p. 10 of copy. (Year: 2020).*

One Step Hair Dryer and Styler Volumizer . . . By Pretty Queen [on-line]. [Published Feb. 2019.] [Retrieved from the Internet Jun. 13, 2020.] For complete URL, see top of p. 10 of copy. (Year: 2019).*

Revlon Hair Dryer Brush [shown in review and video screen captures] by Jessica Flores [on-line]. [Published Apr. 16, 2019.] [Retrieved from the Internet Jun. 13, 2020.] (Year: 2019).*

Meraif electric curling brush [on-line]. [Original publication date unknown.] [Retrieved from the Internet Jun. 13, 2020.] URL: ><http://www.wickonsmt.com/sale-11488235-meraif-hot-sale-2-in-1-hair-straightener-curling-iron-brush-rotating-electric-ionic-hair-brush.html>< (Year: 2020).*

* cited by examiner

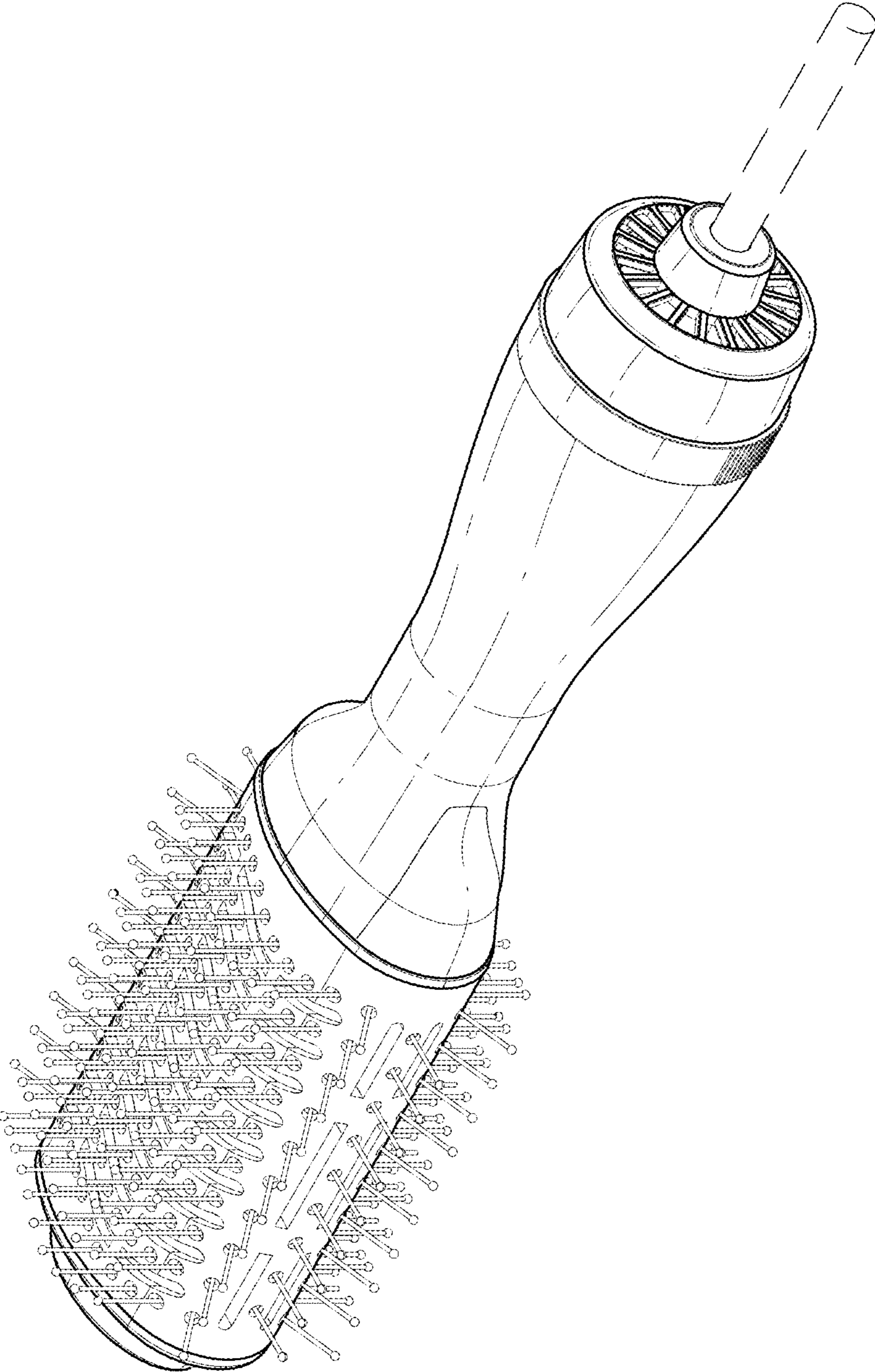


FIG. 1

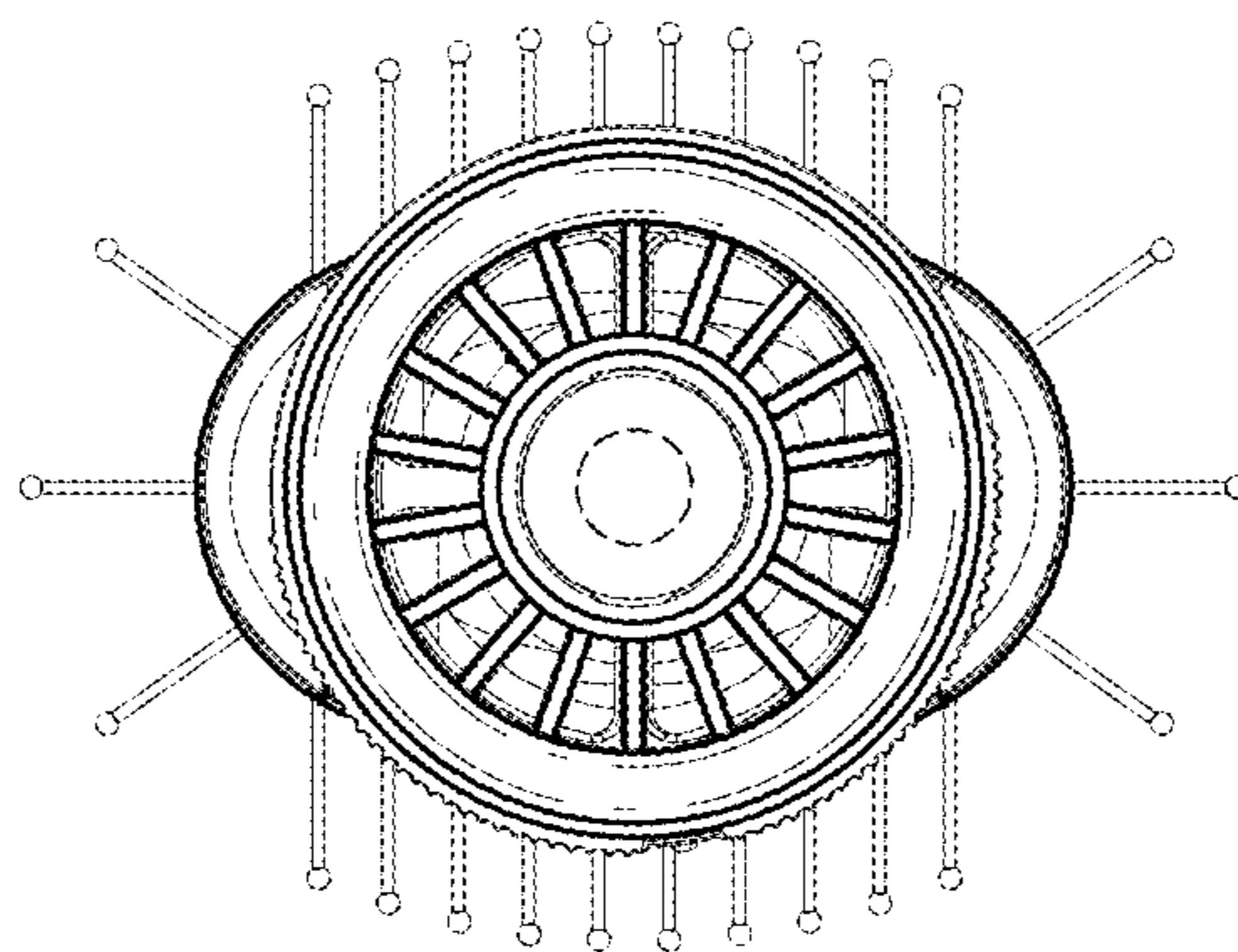


FIG. 2

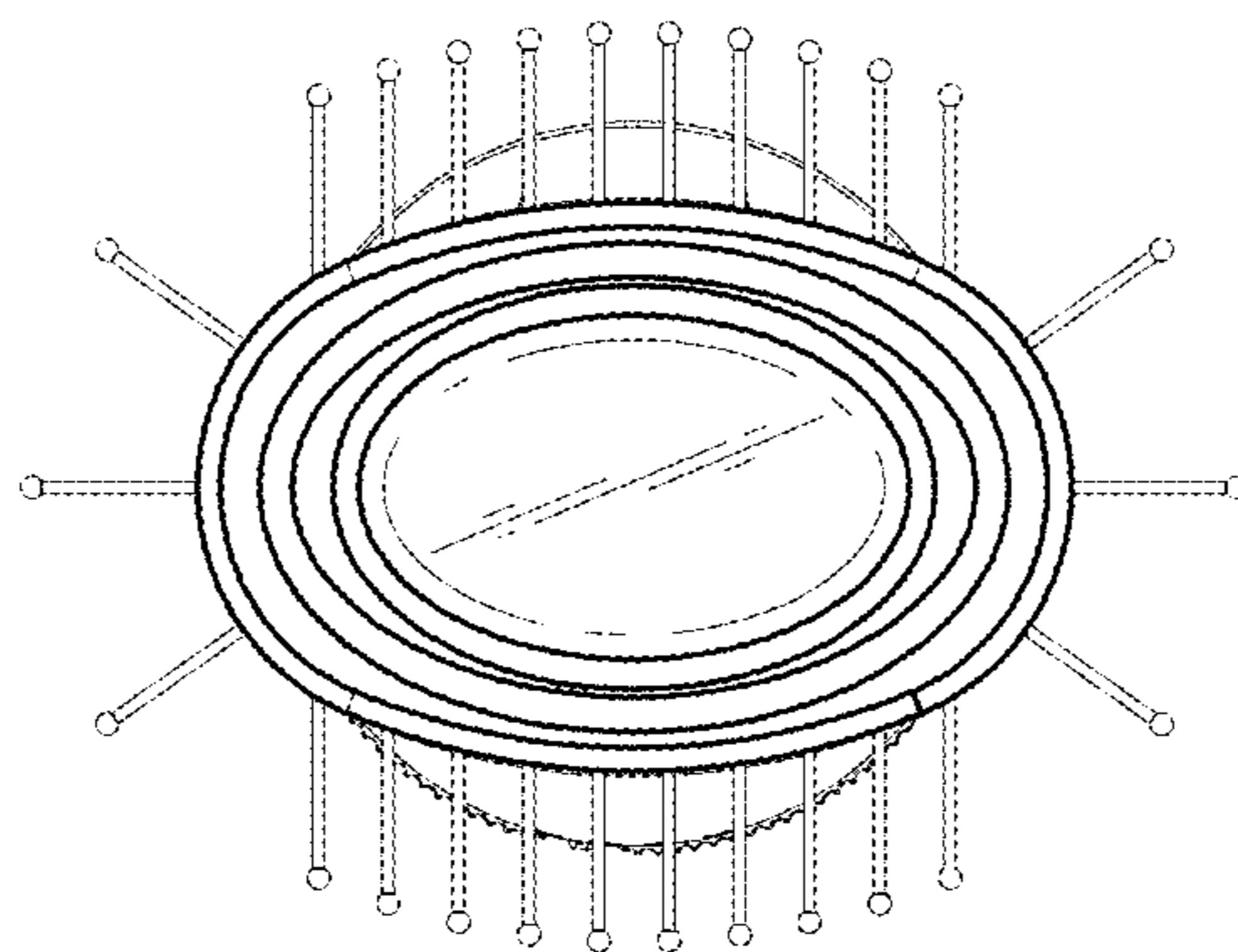


FIG. 3

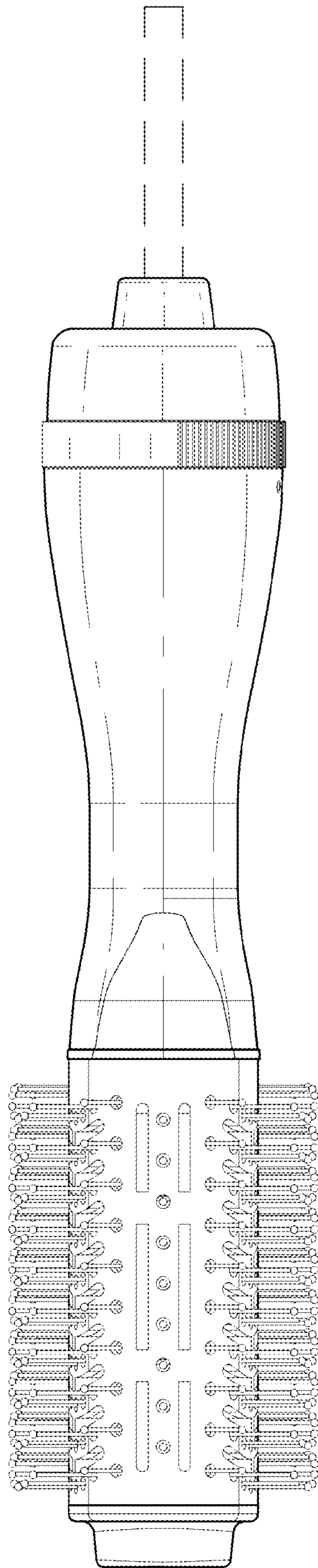


FIG. 4

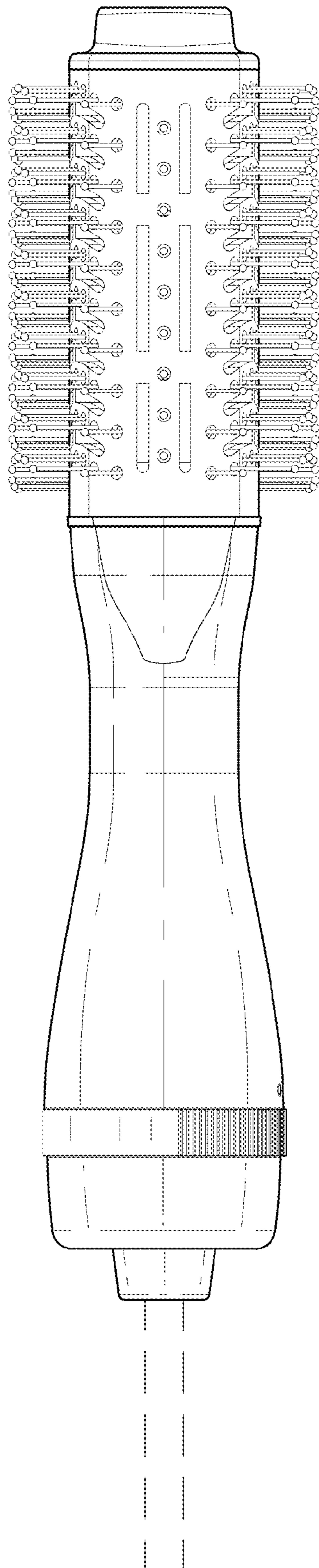


FIG. 5

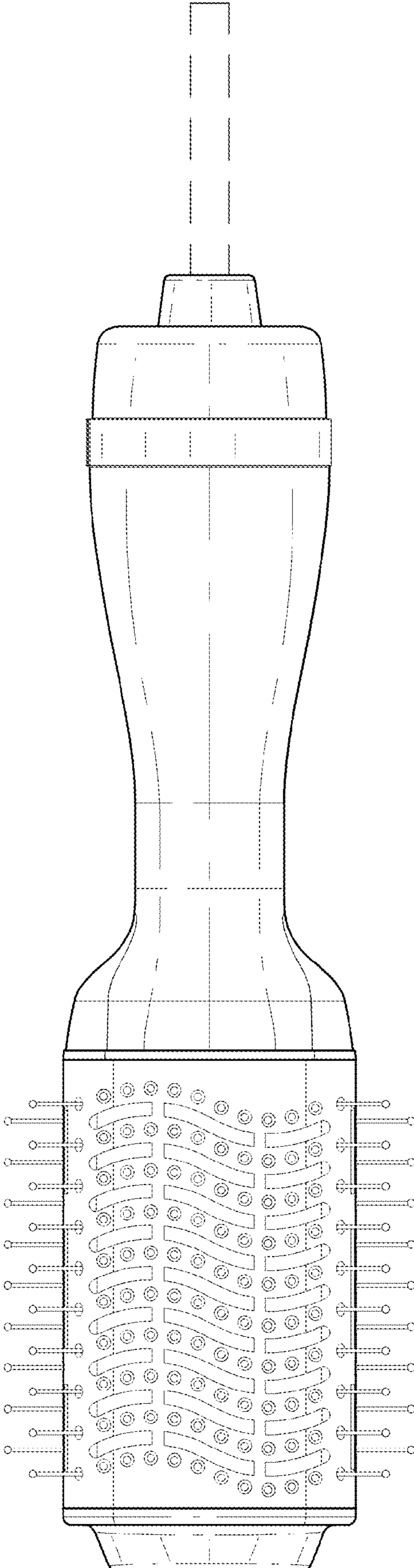


FIG. 6

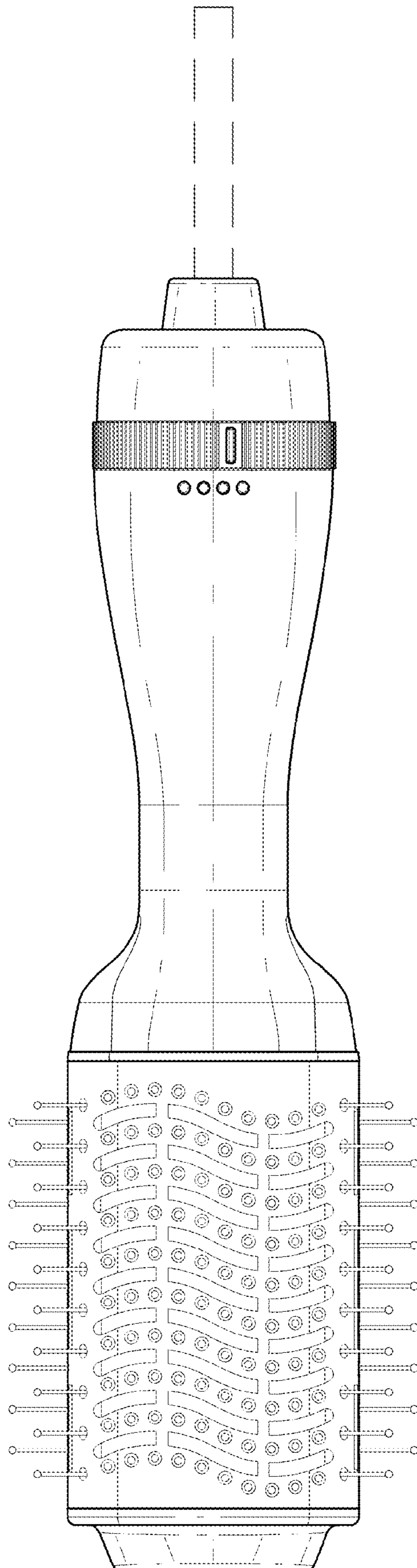


FIG. 7



US00D902603C1

(12) **EX PARTE REEXAMINATION CERTIFICATE** (12125th)
United States Patent
Zhanye

(10) **Number:** **US D902,603 C1**
(45) **Certificate Issued:** **Aug. 23, 2022**

(54) **HAIR STRAIGHTENING BRUSH**
(71) Applicant: **Dongguan Mandi Electric Appliance Co. Ltd, Dongguan (CN)**
(72) Inventor: **Zong Zhanye, Dongguan (CN)**

(52) **U.S. Cl.**
USPC **D4/102**
(58) **Field of Classification Search**
USPC D4/102, 100; D28/13, 15, 35
CPC A46B 2200/104
See application file for complete search history.

Reexamination Request:
No. 90/014,778, Jun. 18, 2021

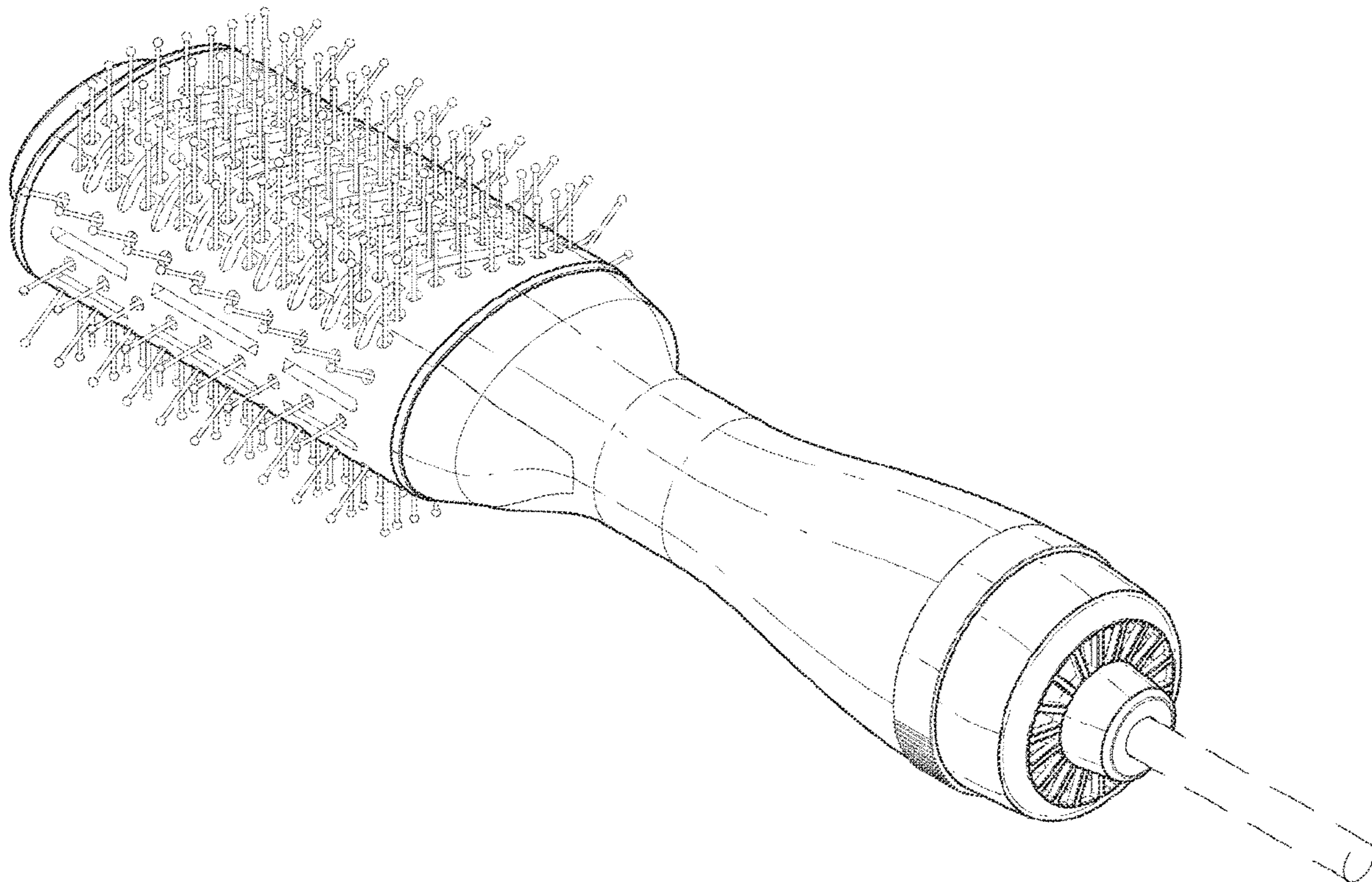
(56) **References Cited**

Reexamination Certificate for:
Patent No.: **Des. 902,603**
Issued: **Nov. 24, 2020**
Appl. No.: **29/735,292**
Filed: **May 20, 2020**

To view the complete listing of prior art documents cited during the proceeding for Reexamination Control Number 90/014,778, please refer to the USPTO's public Patent Application Information Retrieval (PAIR) system under the Display References tab.

(51) **LOC (13) Cl.** **04-02**

Primary Examiner — Kevin K Rudzinski



1
EX PARTE
REEXAMINATION CERTIFICATE

THE PATENT IS HEREBY AMENDED AS
INDICATED BELOW.

5

AS A RESULT OF REEXAMINATION, IT HAS BEEN
DETERMINED THAT:

The claim 1 is cancelled.

10

* * * * *