



US00D902602S

(12) **United States Design Patent**
Fowler et al.

(10) **Patent No.:** **US D902,602 S**

(45) **Date of Patent:** **** Nov. 24, 2020**

(54) **ORAL CARE DEVICE AND BASE**

(71) Applicant: **Sage Products, LLC**, Cary, IL (US)

(72) Inventors: **Paul Michael Fowler**, Rockford, IL (US); **Ronald C. Cagle**, Crystal Lake, IL (US); **Theresa L. Sebastian**, Cary, IL (US); **Timothy J. Rapinchuk**, Cary, IL (US)

(73) Assignee: **Sage Products, LLC**, Cary, IL (US)

(**) Term: **15 Years**

(21) Appl. No.: **29/722,558**

(22) Filed: **Jan. 30, 2020**

Related U.S. Application Data

(62) Division of application No. 29/626,072, filed on Nov. 14, 2017, now Pat. No. Des. 874,153.

(51) **LOC (12) Cl.** **28-03**

(52) **U.S. Cl.**
USPC **D4/101**

(58) **Field of Classification Search**

USPC D4/100, 101, 102, 104, 105, 106, 107, D4/108, 109, 110, 111, 112, 113, 114, D4/115, 116, 119, 120, 121, 124, 125, D4/130, 132, 134, 138, 199; D24/111, D24/152, 176; D7/300.2
CPC A46B 2200/1066; A46B 2200/1073; A46B 2200/1086; A46B 5/02; A46B 5/0095; A46B 9/04; A46B 11/00; A46B 11/0003; A61C 17/16; A61C 17/22; A61C 17/225;

(Continued)

(56) **References Cited**

U.S. PATENT DOCUMENTS

1,128,045 A 2/1915 Reenstierna
1,254,714 A 1/1918 McCombs

(Continued)

FOREIGN PATENT DOCUMENTS

CN 203493048 U 3/2014
FR 2606615 A 5/1988
WO WO-2009/138723 11/2009

OTHER PUBLICATIONS

International Search Report and Written Opinion for International Application No. PCT/US2017/061633, dated Apr. 6, 2018, 17 pages.

(Continued)

Primary Examiner — Karen E Eldridge Powers

(74) *Attorney, Agent, or Firm* — Foley & Lardner LLP

(57) **CLAIM**

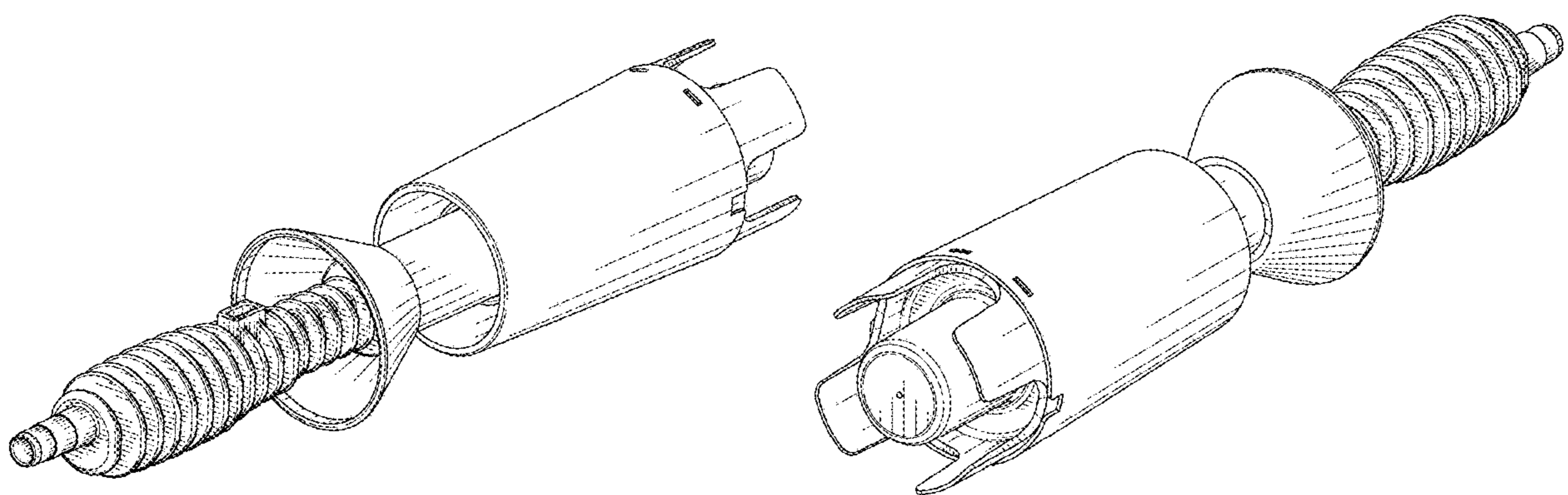
We claim the ornamental design for an oral care device and base, as shown and described.

DESCRIPTION

FIG. 1 is a front, right, perspective view of the claimed design of an oral care device, according to an embodiment. FIG. 2 is a top view of the claimed design of FIG. 1; FIG. 3 is a bottom view of the claimed design of FIG. 1; FIG. 4 is a left side view of the claimed design of FIG. 1; FIG. 5 is a right side view of the claimed design of FIG. 1; FIG. 6 is a front side view of the claimed design of FIG. 1; FIG. 7 is a rear side view of the claimed design of FIG. 1; and, FIG. 8 is a rear, right, perspective view of the claimed design of FIG. 1.

The ornamental design which is claimed is shown in solid lines in the drawings. The broken lines in the drawings are for illustrative purposes only and form no part of the claimed design. Oblique lines show a transparent, reflective, or shiny surface, and not surface ornamentation.

1 Claim, 5 Drawing Sheets



(58) **Field of Classification Search**
 CPC A61C 17/32; A61C 17/34; A61C 17/3445;
 A61C 17/3454; A61C 17/3481; A61C
 17/228; A61C 17/00; A61C 17/36
 See application file for complete search history.

(56) **References Cited**

U.S. PATENT DOCUMENTS

1,283,403	A	10/1918	Eustis
1,419,593	A	6/1922	Thompson
D149,620	S	5/1948	Darr
D162,881	S	4/1951	Richardson
D172,862	S	8/1954	Brennan
D174,292	S	3/1955	Perez
D186,902	S	12/1959	Fried
3,411,723	A	11/1968	Kohn
3,488,788	A	1/1970	Robinson
3,840,932	A	10/1974	Balamuth et al.
4,149,815	A	4/1979	Kawam
4,174,035	A	11/1979	Wiegner
4,192,035	A	3/1980	Kuris
D282,317	S	1/1986	Herzfeld
D282,319	S	1/1986	Herzfeld
D282,698	S	2/1986	Newton, Jr.
4,854,760	A	8/1989	Unidec
4,915,219	A	4/1990	Ottimo
4,976,379	A	12/1990	Sloan
4,995,509	A	2/1991	Kornfeind
5,022,559	A	6/1991	Condon
5,246,046	A	9/1993	Schramm
5,311,632	A	5/1994	Center
5,495,876	A	3/1996	Schramm
5,501,340	A	3/1996	Stafford
D377,867	S	2/1997	Berghash et al.
RE36,131	E	3/1999	Schramm
5,908,057	A	6/1999	Schramm
6,082,999	A	7/2000	Tcherny et al.
6,243,906	B1	6/2001	Holliday et al.
6,280,112	B1	8/2001	Vieu
D453,888	S	2/2002	Gottwald
6,397,859	B1	6/2002	Byrd
6,418,940	B1	7/2002	Tcherny et al.
D470,661	S	2/2003	Zetsche
6,530,707	B1	3/2003	Byrne et al.
6,595,822	B1	7/2003	Thai
6,638,131	B1	10/2003	Thai
6,669,475	B2	12/2003	Kandelman et al.
6,702,113	B2	3/2004	Marino
6,704,965	B2	3/2004	Ale et al.
D499,811	S *	12/2004	Nan D24/215
6,857,928	B2	2/2005	Thai
RE39,443	E	12/2006	Schramm

7,244,161	B2	7/2007	Thai
D563,069	S *	2/2008	Yovanovich D32/54
7,399,133	B1	7/2008	Eversole
D576,799	S	9/2008	Veziin et al.
D576,801	S	9/2008	Dretzka
7,524,230	B2	4/2009	Thai
D592,404	S	5/2009	Toeffler et al.
7,967,519	B2	6/2011	Gueret
RE42,610	E	8/2011	Schramm
D669,981	S	10/2012	Ruiz et al.
8,506,192	B2	8/2013	Allbritton
8,632,268	B2	1/2014	Kemp
D709,713	S	7/2014	Yang et al.
D720,137	S	12/2014	Schuler
8,932,522	B2	1/2015	Duncan
D736,907	S	8/2015	McCracken et al.
D741,068	S	10/2015	Frazier
D749,919	S	2/2016	Cianciolo
D751,688	S	3/2016	Daly
D752,882	S	4/2016	Chang
D774,775	S	12/2016	Buchholz
D776,534	S	1/2017	Stratton
D784,024	S	4/2017	Jun
D792,214	S	7/2017	Kerill et al.
9,810,575	B2	11/2017	Lance
D804,770	S	12/2017	Zoubovsky
D808,431	S	1/2018	Tseng
D808,660	S	1/2018	Kresge
D812,913	S	3/2018	Way
D825,885	S	8/2018	Falcone
D825,932	S	8/2018	Jun
D828,082	S	9/2018	Ramos
D835,383	S	12/2018	Petersen
D864,576	S *	10/2019	Cagle D4/101
D874,153	S *	2/2020	Fowler D4/101
2001/0035413	A1	11/2001	Thai
2002/0138931	A1	10/2002	Davies
2004/0129580	A1	7/2004	Cochran et al.
2004/0211683	A1	10/2004	Barham et al.
2007/0277339	A1	12/2007	Barsheshet
2008/0245681	A1	10/2008	Healis
2013/0074867	A1	3/2013	Leung
2014/0137352	A1	5/2014	Golla et al.
2017/0311707	A1	11/2017	Beck et al.
2018/0055184	A1	3/2018	McVeigh et al.
2018/0055187	A1	3/2018	Galligan
2018/0132605	A1	5/2018	Fowler et al.
2018/0289145	A1	10/2018	Cagle et al.

OTHER PUBLICATIONS

Partial International Search Report for International Application No.
 PCT/US2017/061633, dated Feb. 12, 2018, 12 pages.

* cited by examiner

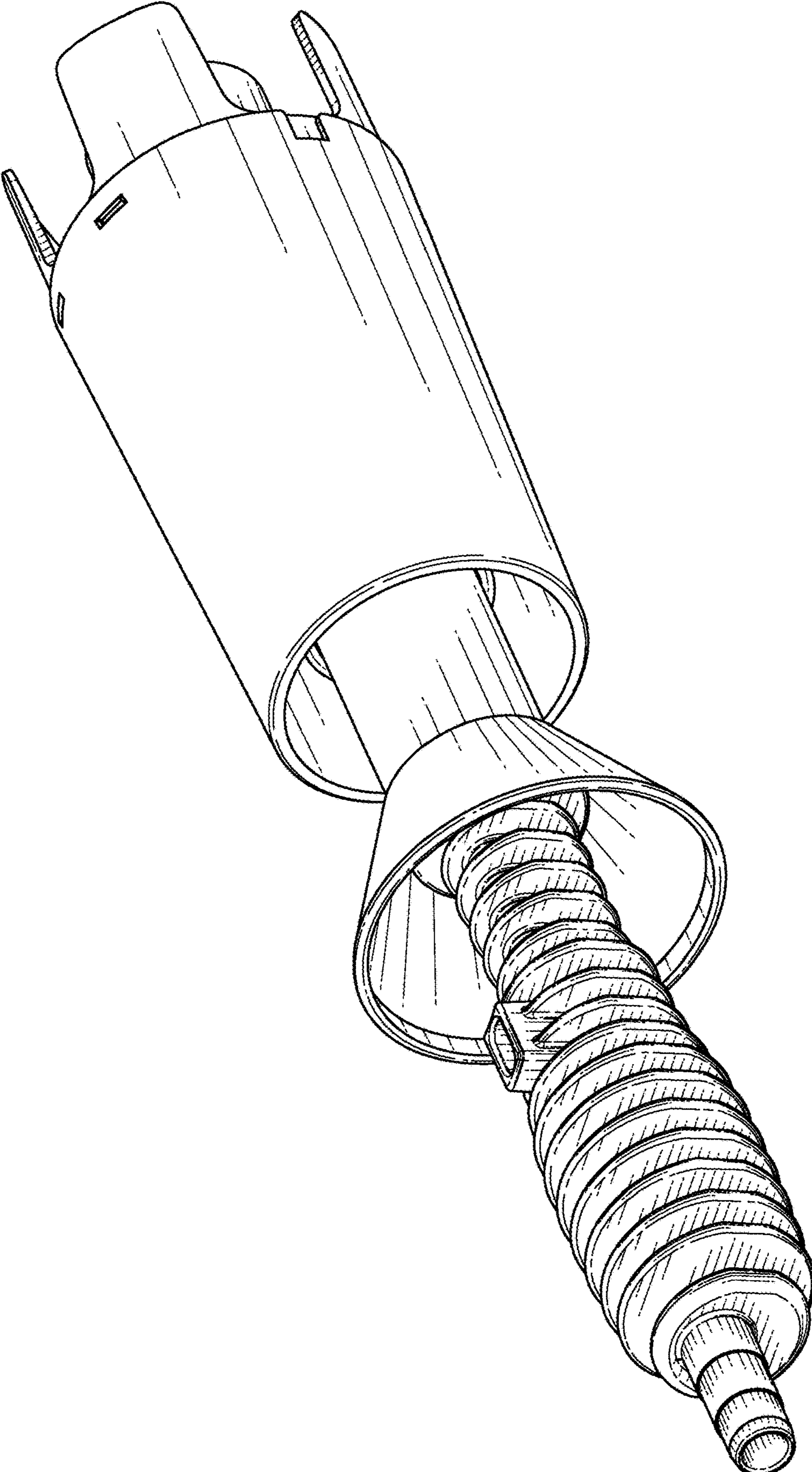


FIG. 1

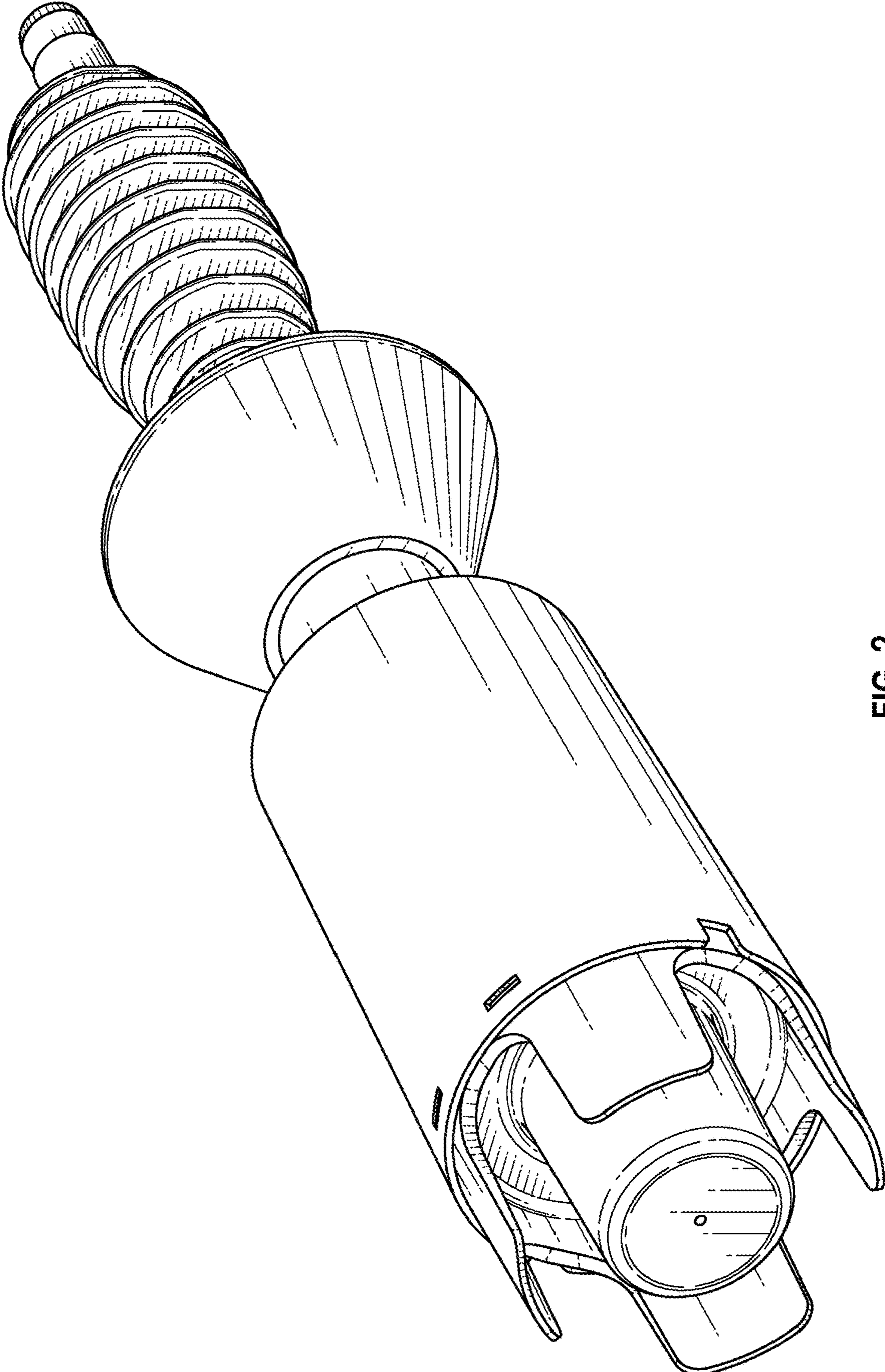


FIG. 2

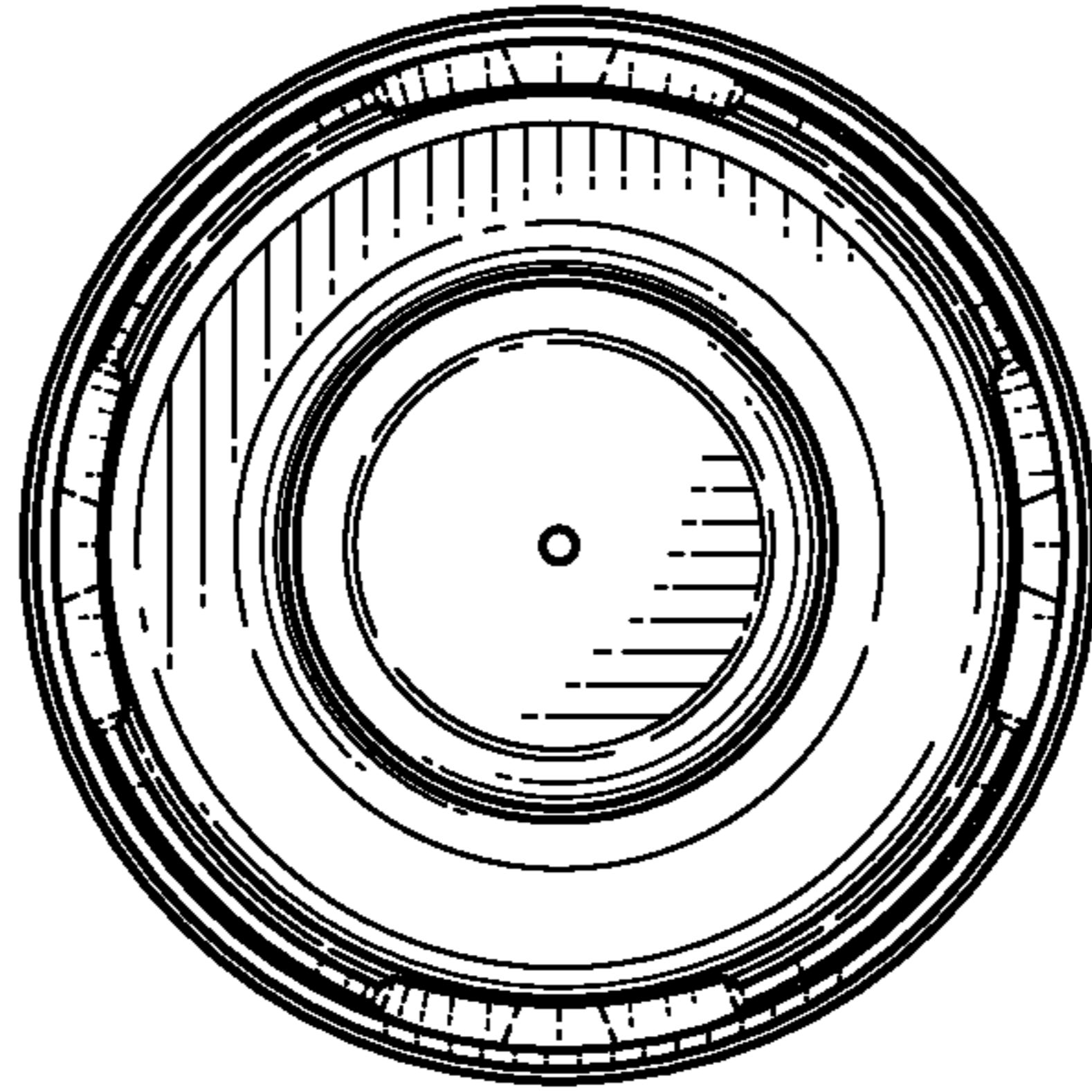


FIG. 3

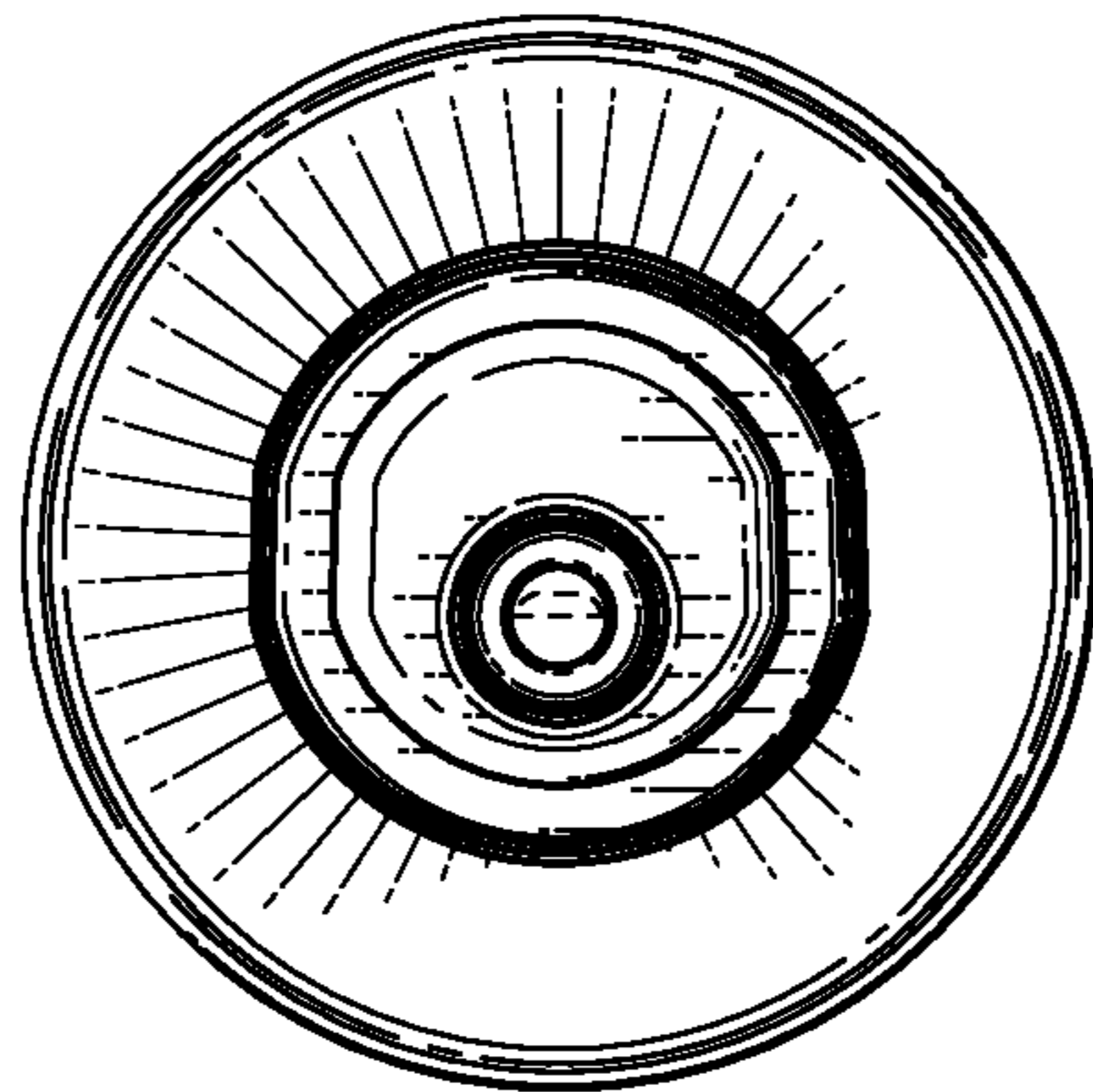


FIG. 4

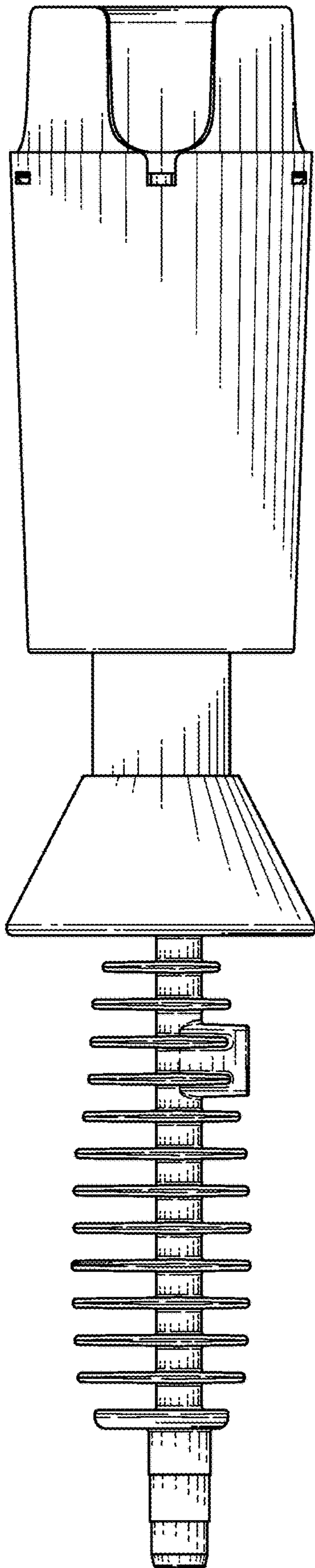


FIG. 5

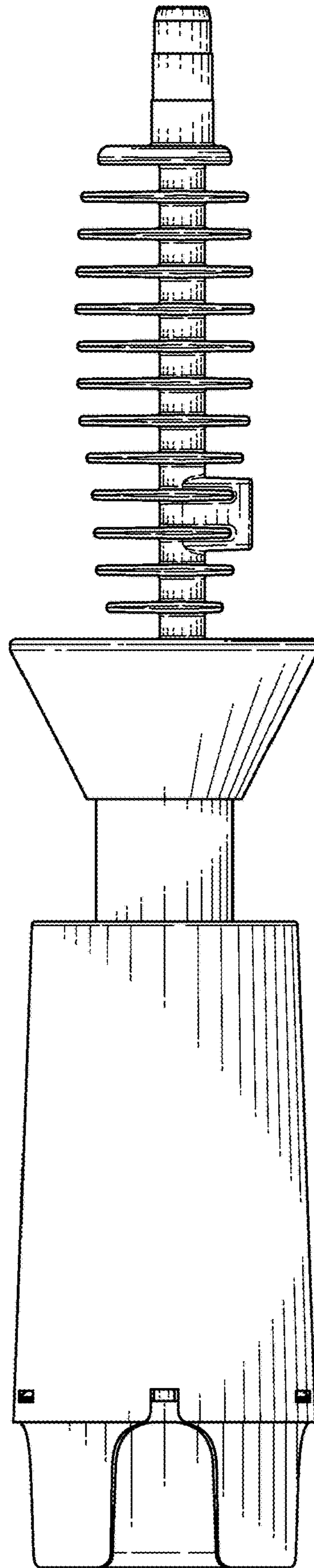


FIG. 6

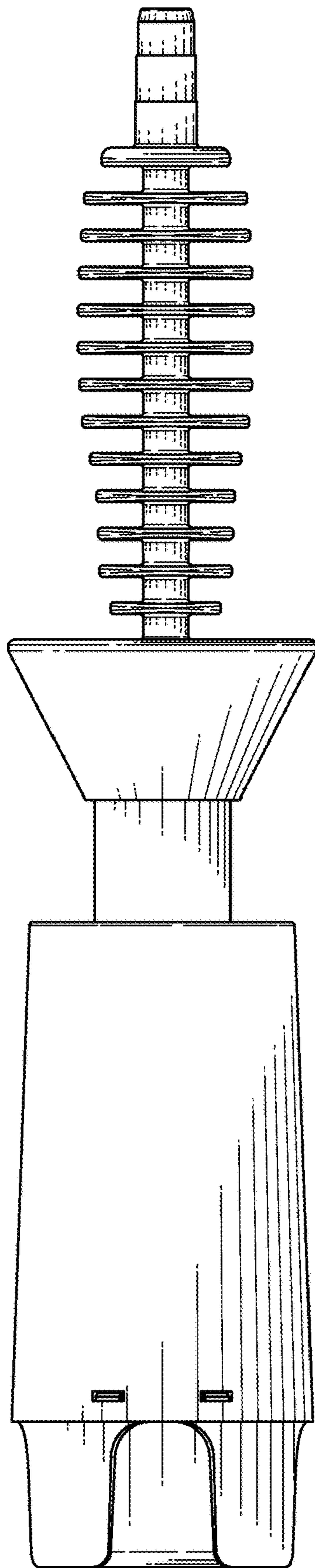


FIG. 7

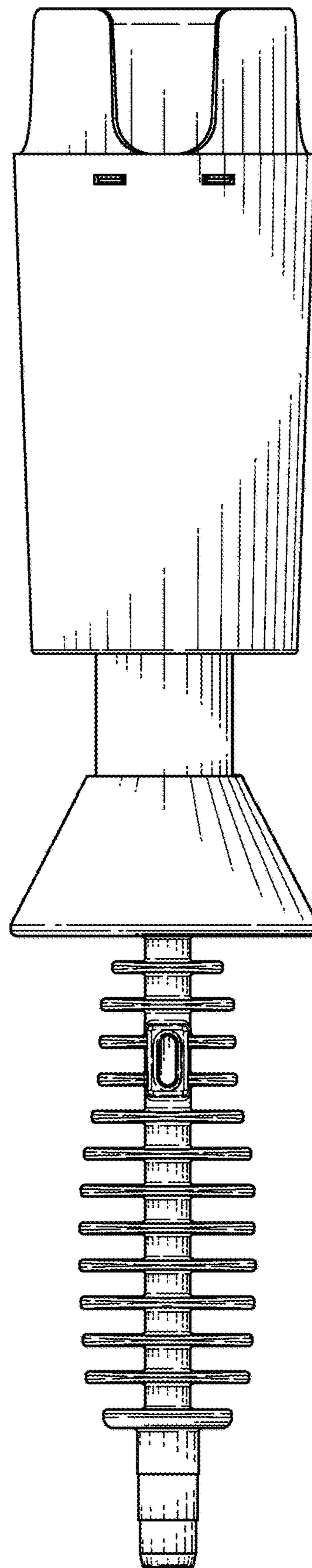


FIG. 8