



US00D902600S

(12) **United States Design Patent** (10) **Patent No.:** **US D902,600 S**
Altmann et al. (45) **Date of Patent:** **** Nov. 24, 2020**

(54) **TOOTHBRUSH HEAD**
(71) Applicant: **Braun GmbH**, Kronberg (DE)
(72) Inventors: **Niclas Altmann**, Schoeneck (DE);
Anke Renz, Schwalbach (DE); **Bianka
Becker-Salzsäuler**, Liederbach (DE);
Heidrun Schmelcher, Kronberg (DE);
Fritz Schubert, Bad Camberg (DE);
Ulrich Stoerkel, Bad Nauheim (DE)

D483,183 S * 12/2003 De Salvo D4/101
D487,636 S * 3/2004 De Salvo D4/101
D577,199 S * 9/2008 Zhuan D4/101
D612,611 S * 3/2010 Brown, Jr. D4/101
D689,698 S * 9/2013 Dickie D4/101
D775,469 S * 1/2017 Sikora D4/102
D775,835 S * 1/2017 Yoshida D4/101
D793,735 S * 8/2017 Zavalloni D4/101
D824,174 S * 7/2018 Altmann D4/101
D830,699 S * 10/2018 Liu D4/101
D846,881 S * 4/2019 Altmann D4/101
D854,834 S * 7/2019 Altmann D4/101
2018/0140404 A1 * 5/2018 Schaefer A61C 17/225

(73) Assignee: **Braun GmbH**, Kronberg (DE)
(**) Term: **15 Years**

* cited by examiner

(21) Appl. No.: **29/654,969**

Primary Examiner — Michael C Stout

(22) Filed: **Jun. 28, 2018**

Assistant Examiner — Katrina N Gonzalez

(74) *Attorney, Agent, or Firm* — Vladimir Vitenberg

Related U.S. Application Data

(62) Division of application No. 29/561,313, filed on Apr. 14, 2016, now Pat. No. Des. 824,174.

(57) **CLAIM**

The ornamental design for a toothbrush head, as shown and described.

(30) **Foreign Application Priority Data**

Oct. 14, 2015 (WO) 927982601

(51) **LOC (12) Cl.** **04-02**

DESCRIPTION

(52) **U.S. Cl.**

USPC **D4/101**

(58) **Field of Classification Search**

USPC D4/100–102, 104–113, 116, 117,
D4/119–121, 127, 128, 130–138, 199

See application file for complete search history.

FIG. 1 is a perspective view of a toothbrush head;

FIG. 2 is a front view thereof;

FIG. 3 is a right side view thereof;

FIG. 4 is a rear view thereof;

FIG. 5 is a left side view thereof;

FIG. 6 is a top plan view thereof; and,

FIG. 7 is a bottom view thereof.

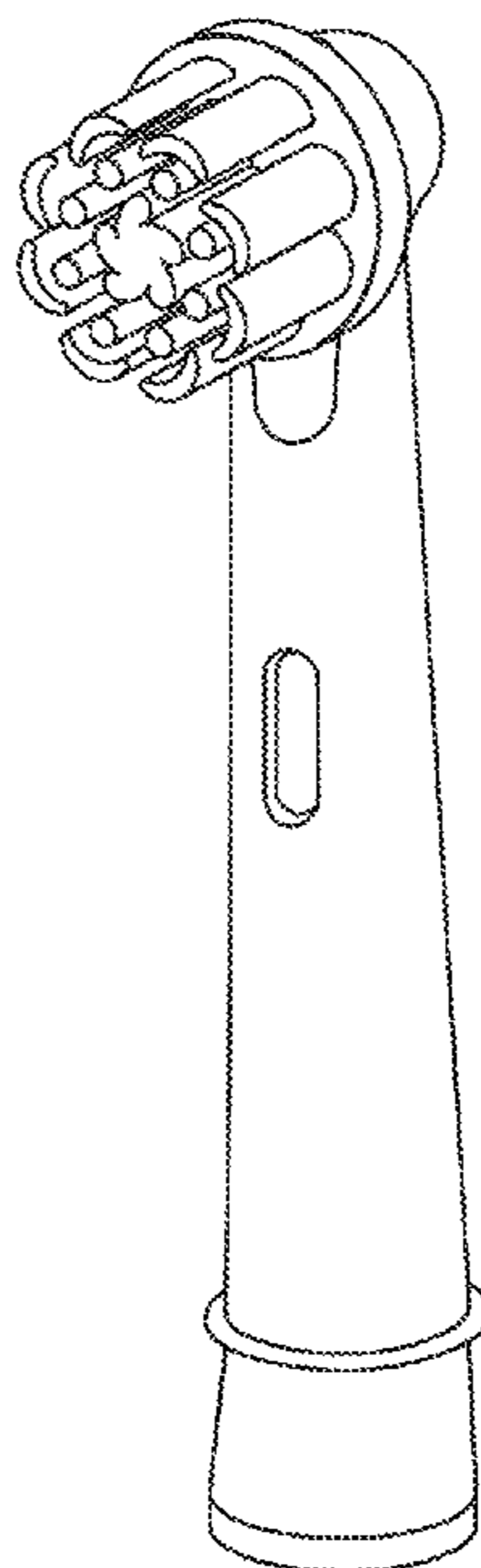
The broken lines illustrate portions of the toothbrush head that form no part of the claimed design.

(56) **References Cited**

U.S. PATENT DOCUMENTS

D459,892 S * 7/2002 Eliav D4/101
D465,926 S * 11/2002 Eliav D4/101

1 Claim, 2 Drawing Sheets



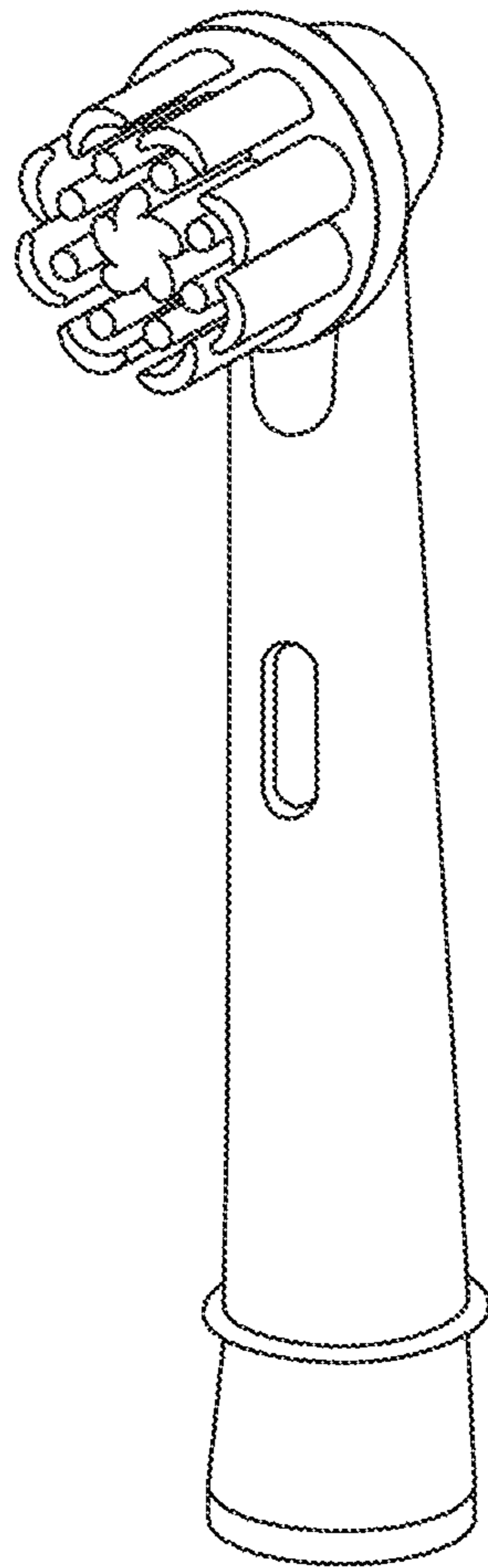


FIG. 1

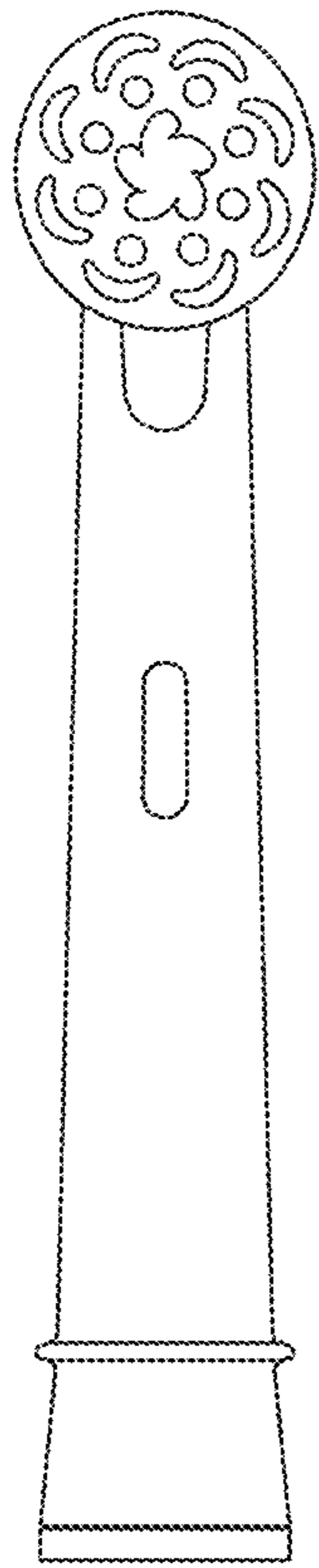


FIG. 2

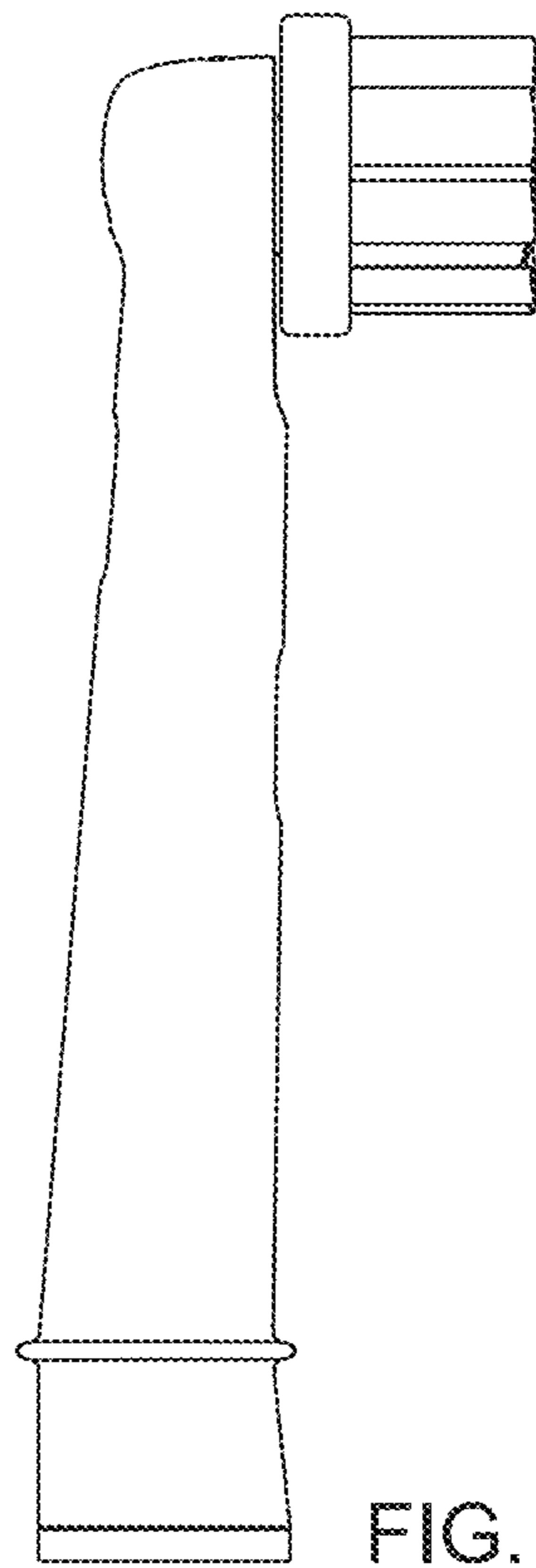


FIG. 3

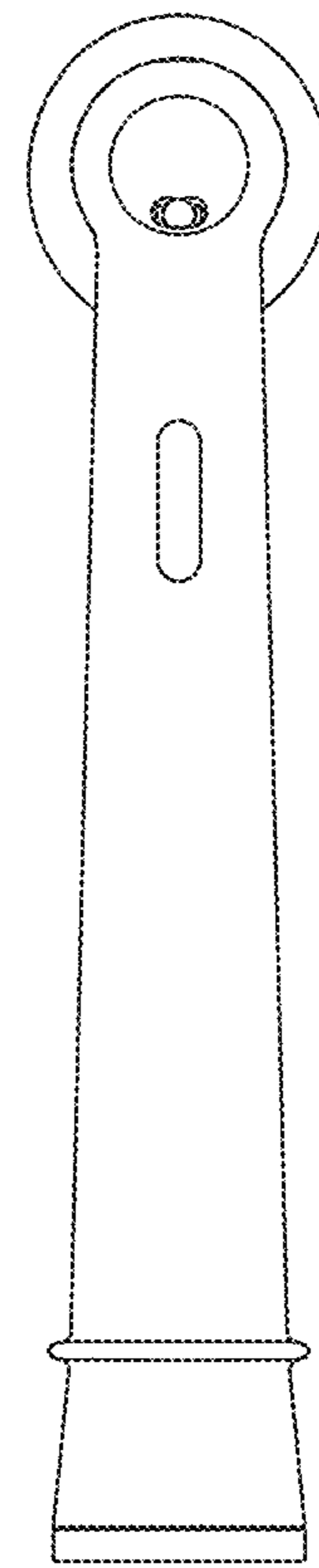


FIG. 4

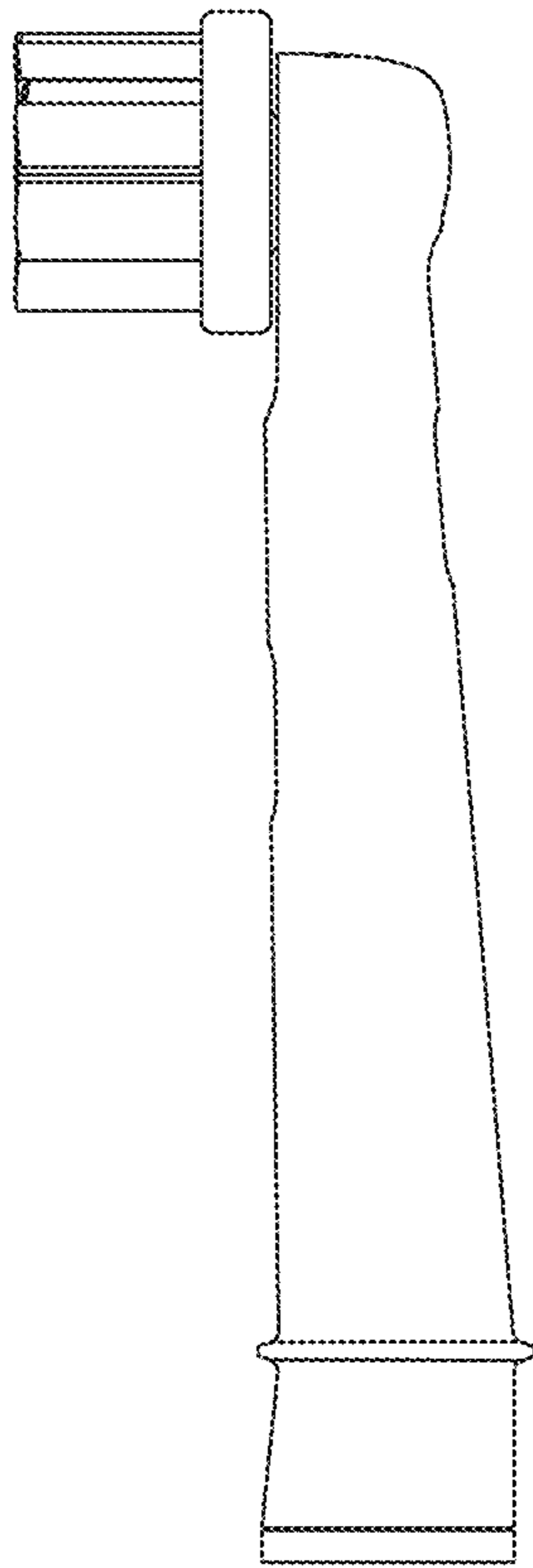


FIG. 5

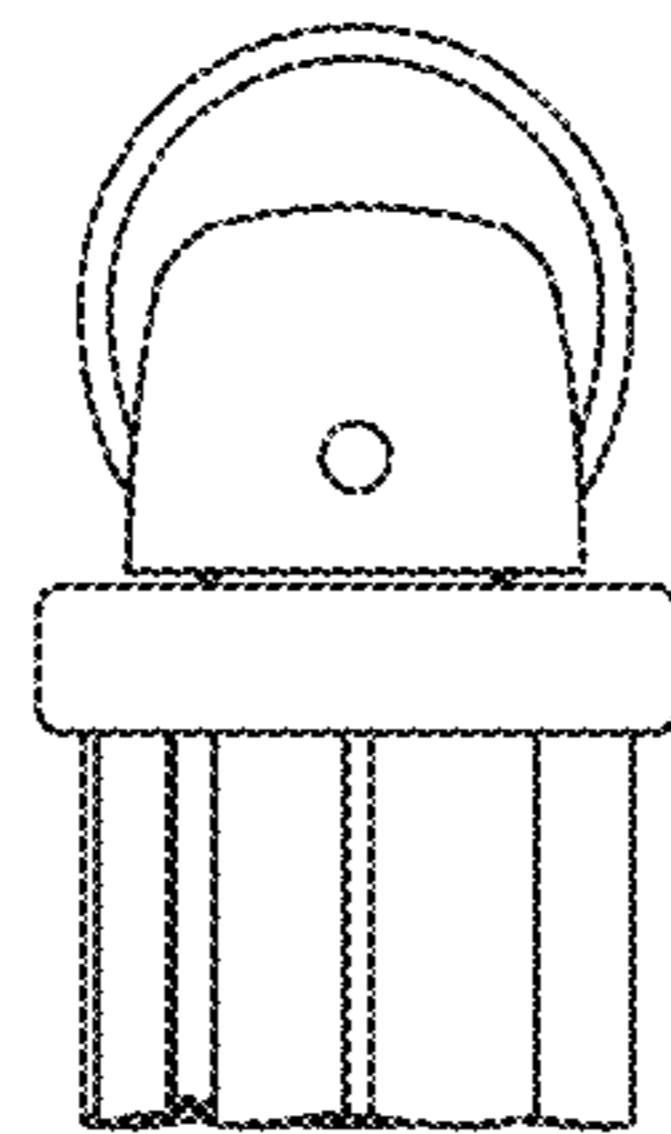


FIG. 6

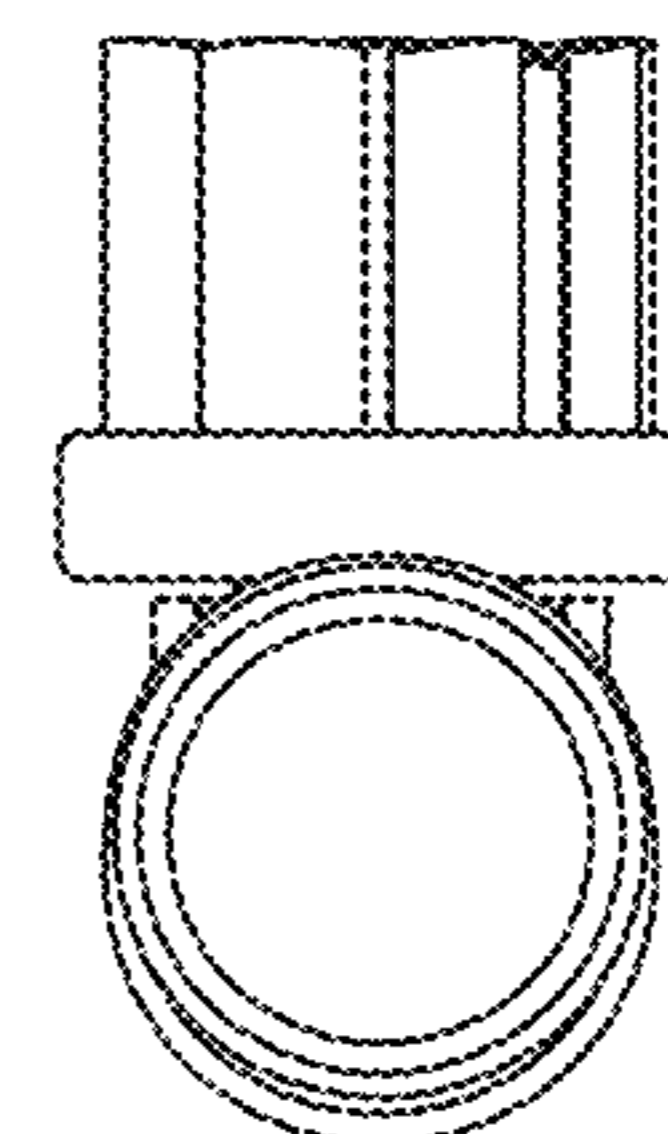


FIG. 7