



US00D902598S

(12) **United States Design Patent** (10) **Patent No.:** **US D902,598 S**  
**Chung** (45) **Date of Patent:** **\*\* Nov. 24, 2020**

(54) **CONVERTIBLE STRAP HANDBAG REAR PORTION**

brighton.com/product/backpacks/36956-196889/miles-convertible-backpack.html (Year: 2019).\*

(Continued)

(71) Applicant: **Coral Chung**, Los Altos, CA (US)

*Primary Examiner* — Holly H Baynham

(72) Inventor: **Coral Chung**, Los Altos, CA (US)

(74) *Attorney, Agent, or Firm* — Intellectual Property Law Group LLP

(\*\*) Term: **15 Years**

(21) Appl. No.: **29/731,657**

(22) Filed: **Apr. 16, 2020**

(57) **CLAIM**

The ornamental design for a convertible strap handbag rear portion, as shown and described.

**Related U.S. Application Data**

(63) Continuation of application No. 15/614,533, filed on Jun. 5, 2017.

(51) **LOC (12) Cl.** ..... **03-01**

(52) **U.S. Cl.**  
USPC ..... **D3/327; D3/318**

(58) **Field of Classification Search**  
USPC ..... D3/318, 327  
CPC ..... A45C 13/30; A45C 13/02; A45C 13/08;  
A45C 1/10; A45C 3/02; A45C 3/00;  
A45C 3/04; A45C 3/06; A45C 3/08;  
A45C 3/10;

(Continued)

(56) **References Cited**

**U.S. PATENT DOCUMENTS**

294,622 A 3/1884 Hoeninger  
432,607 A 7/1890 Dwyer

(Continued)

**FOREIGN PATENT DOCUMENTS**

CN 201431060 Y 3/2010  
DE 3002106 A1 7/1981

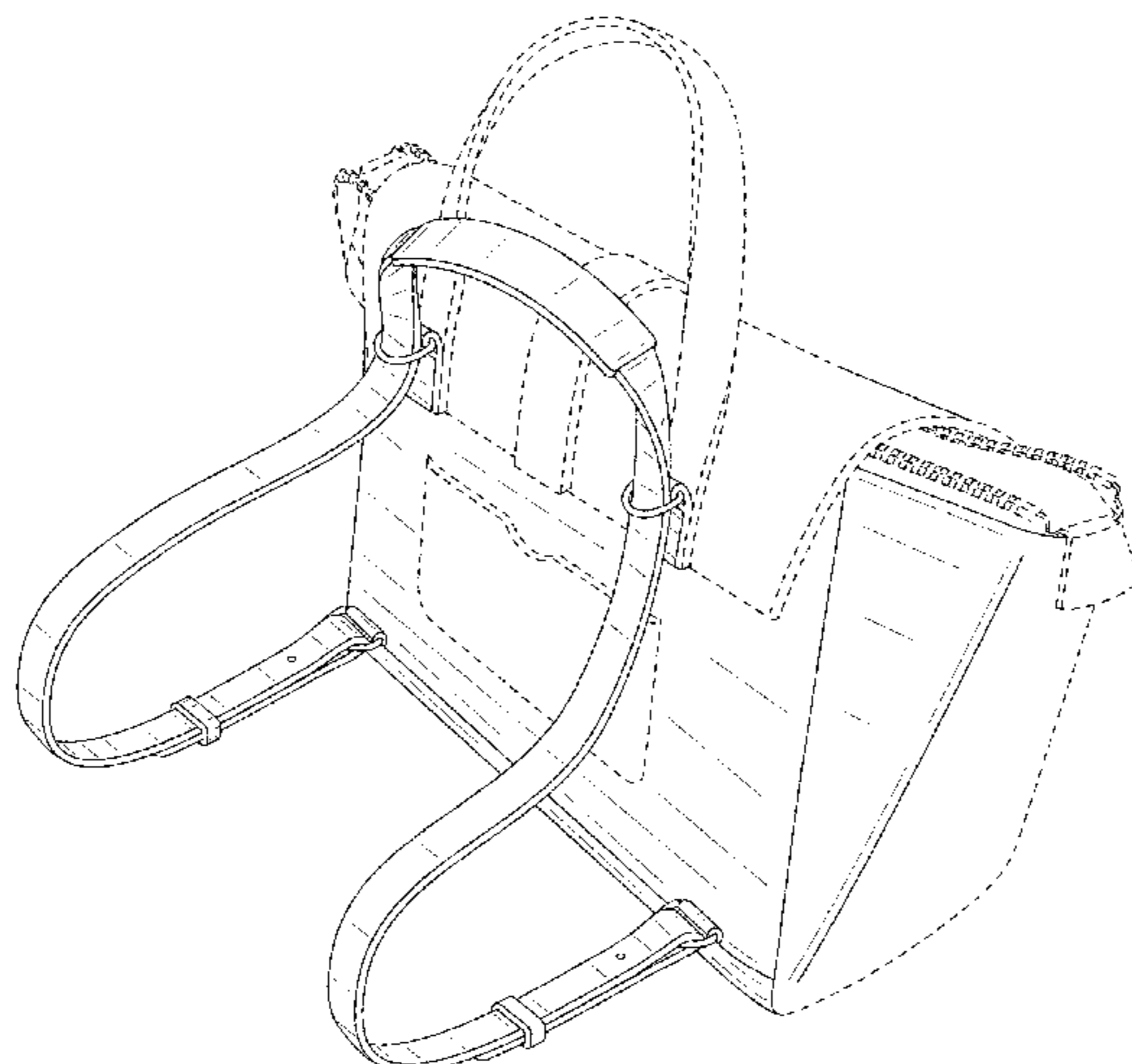
**OTHER PUBLICATIONS**

Convertible backpack, online catalog, Brighton, reviewed 2019 [retrieved Jul. 6, 2020], Retrieved from the Internet: <https://www.brighton.com/product/backpacks/36956-196889/miles-convertible-backpack.html>

**DESCRIPTION**

FIG. 1 is a top, right side, rear, perspective view of a convertible strap handbag rear portion embodying the claimed design;  
FIG. 2 is a top, left side, front, perspective view thereof;  
FIG. 3 is a front view thereof;  
FIG. 4 is a rear view thereof;  
FIG. 5 is a right side view thereof;  
FIG. 6 is a left side view thereof;  
FIG. 7 is a top view thereof;  
FIG. 8 is a bottom view thereof;  
FIG. 9 is a front view of a convertible strap handbag rear portion showing the claimed design with the strap configured for arm-crook carrying the handbag;  
FIG. 10 is a front view of a convertible strap handbag rear portion showing the claimed design with the strap configured for shoulder carrying the handbag;  
FIG. 11 is a perspective view of a convertible strap handbag rear portion showing the claimed design with the strap configured for hand carrying the handbag;  
FIG. 12 is a perspective view of a convertible strap handbag rear portion showing the claimed design with the strap configured for crossbody carrying the handbag; and,  
FIG. 13 is a side view of a convertible strap handbag rear portion showing the claimed design with the strap configured for backpack carrying the handbag.

(Continued)



The broken lines are included for illustrating the environment and portions of the handbag that form no part of the claimed design.

**1 Claim, 8 Drawing Sheets**

**(58) Field of Classification Search**

CPC .. A45C 5/02; A45C 9/00; A45C 13/12; A45C 15/00; A45C 2003/005; A45C 2003/007; A45C 2003/008

See application file for complete search history.

**(56)**

**References Cited**

U.S. PATENT DOCUMENTS

1,735,655	A	11/1929	Solomon	
1,856,447	A	3/1930	Williams	
3,912,141	A	10/1975	Appel	
4,018,369	A	4/1977	Jaeger	
4,919,240	A	4/1990	Tobias	
5,797,529	A	8/1998	Lavine	
D437,997	S	2/2001	Ammerman	
6,286,461	B1 *	9/2001	Martz .....	A01K 1/0254 119/497
D450,448	S	11/2001	Pierce	
6,471,105	B1	10/2002	Ammerman et al.	
D480,866	S	10/2003	Alfons	
D497,947	S	11/2004	Kaneda	
D517,800	S	3/2006	De Baschmakoff	
D530,508	S	10/2006	Delafontaine	
D624,749	S	10/2010	Evans	
D630,011	S	1/2011	Knight	
D691,792	S	10/2013	Robert	
8,657,169	B2	2/2014	Demskey	
8,746,523	B1 *	6/2014	Woolley .....	A45F 3/02 224/578
8,844,780	B2 *	9/2014	Hunt .....	A45C 13/30 224/609
D761,555	S	7/2016	Philo	

D778,615	S	2/2017	Georges	
D785,323	S	5/2017	Maierf	
D786,552	S	5/2017	Maier	
D787,188	S *	5/2017	Holtz .....	D3/318
D790,849	S	7/2017	Fusi	
D793,718	S	8/2017	Dumas	
D794,947	S	8/2017	Gavriel et al.	
D836,334	S *	12/2018	Chung .....	A45C 13/26 D3/243
2010/0213224	A1	8/2010	Barr	
2010/0306902	A1	12/2010	Bourque	
2012/0111680	A1	5/2012	Goolrick	

**OTHER PUBLICATIONS**

International Search Report, dated Jan. 12, 2018, for corresponding International Application No. PCT/US2017/036009.  
 Written Opinion of the International Searching Authority, dated Jan. 12, 2018, for corresponding International Application No. PCT/US2017/036009.  
 Heshu Women's Vintage Leather Backpack Casual Daypack for Ladies and Girls. [https://www.amazon.com/dp/B01ESSA1BW/?coliid=1AT9MSS7EQYYL&colid=1W4FOW1HFC9N0&psc=0&ref=lv\\_ov\\_lig\\_dp\\_it](https://www.amazon.com/dp/B01ESSA1BW/?coliid=1AT9MSS7EQYYL&colid=1W4FOW1HFC9N0&psc=0&ref=lv_ov_lig_dp_it), Date first listed on Amazon: Apr. 26, 2016 (Year: 2016).  
 The Sak Ventura Convertible Backpack, [http://www.amazon.com/dp/B004H0MAZW/?coliid=I38H4IM08MARDM&colid=1W4FOW1HFC9N0&psc=0&ref=lv\\_ov\\_lig\\_dp\\_it](http://www.amazon.com/dp/B004H0MAZW/?coliid=I38H4IM08MARDM&colid=1W4FOW1HFC9N0&psc=0&ref=lv_ov_lig_dp_it), Date first listed on Amazon: Feb. 14, 2011 (Year: 2011).  
 Huaboer Bag Co., Ltd., 2015 Backpack 2015 Backpack Campus Style, <https://www.aliexpress.com/item/2015-Backpack-Campus-Style-Women-Leather-Backpacks-Ladies-Girls-School-Shoulder-Bags-Lovely-Bags-Free-Shipping/32378438656.html>, Dated about 2013 (360Degrees Without Dead Angle), (Year: 2013).  
 The Sak Ventura Backpack, <https://www.youtube.com/watch?v=WNO636217r0&index=5&t=0s&list>, Youtube.com, dated Jan. 31, 2014 (Year: 2014).  
 China Office Action dated Apr. 24, 2020 for corresponding China application No. 201780048083.3 with English translation (17 pages).

\* cited by examiner

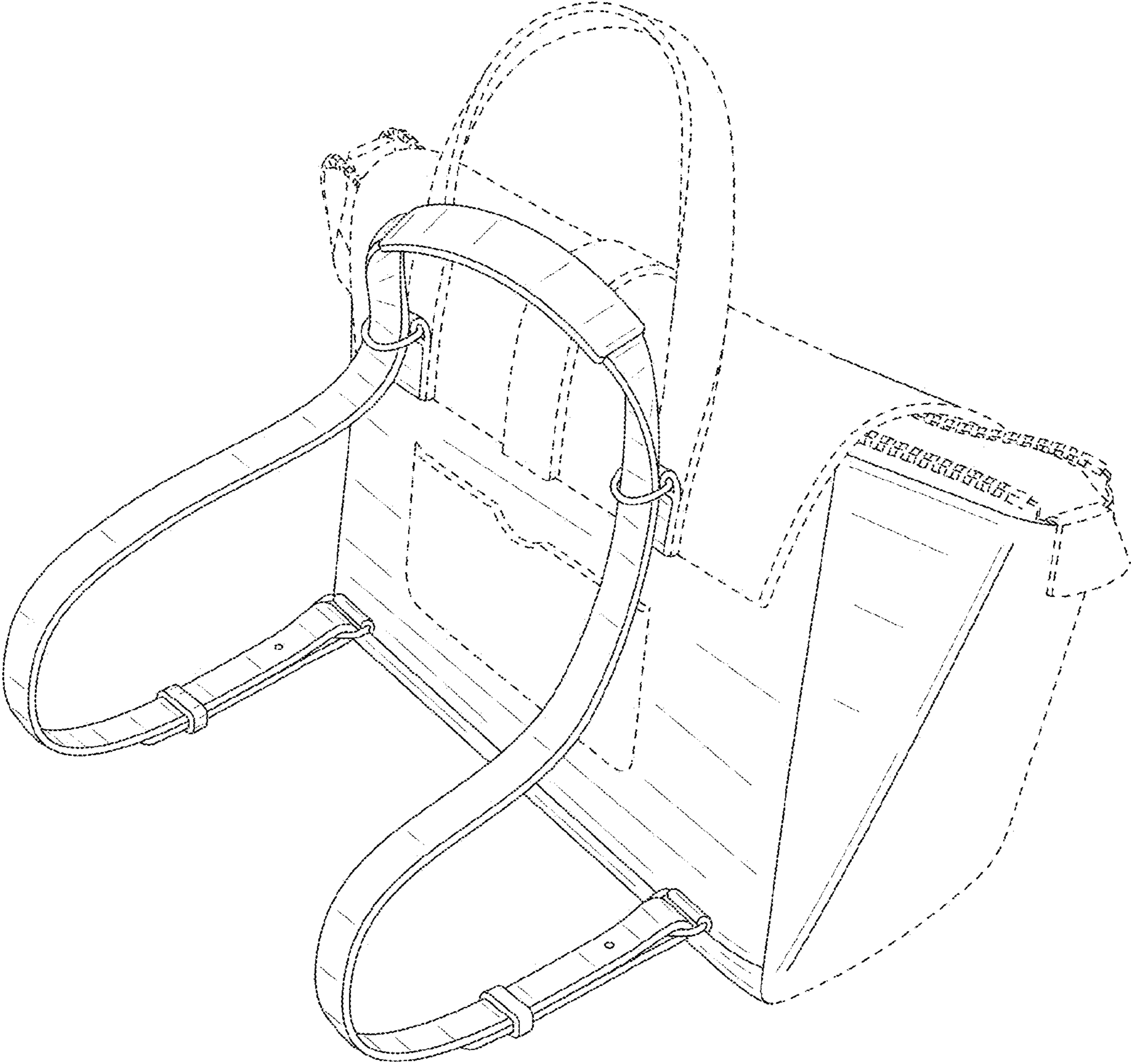
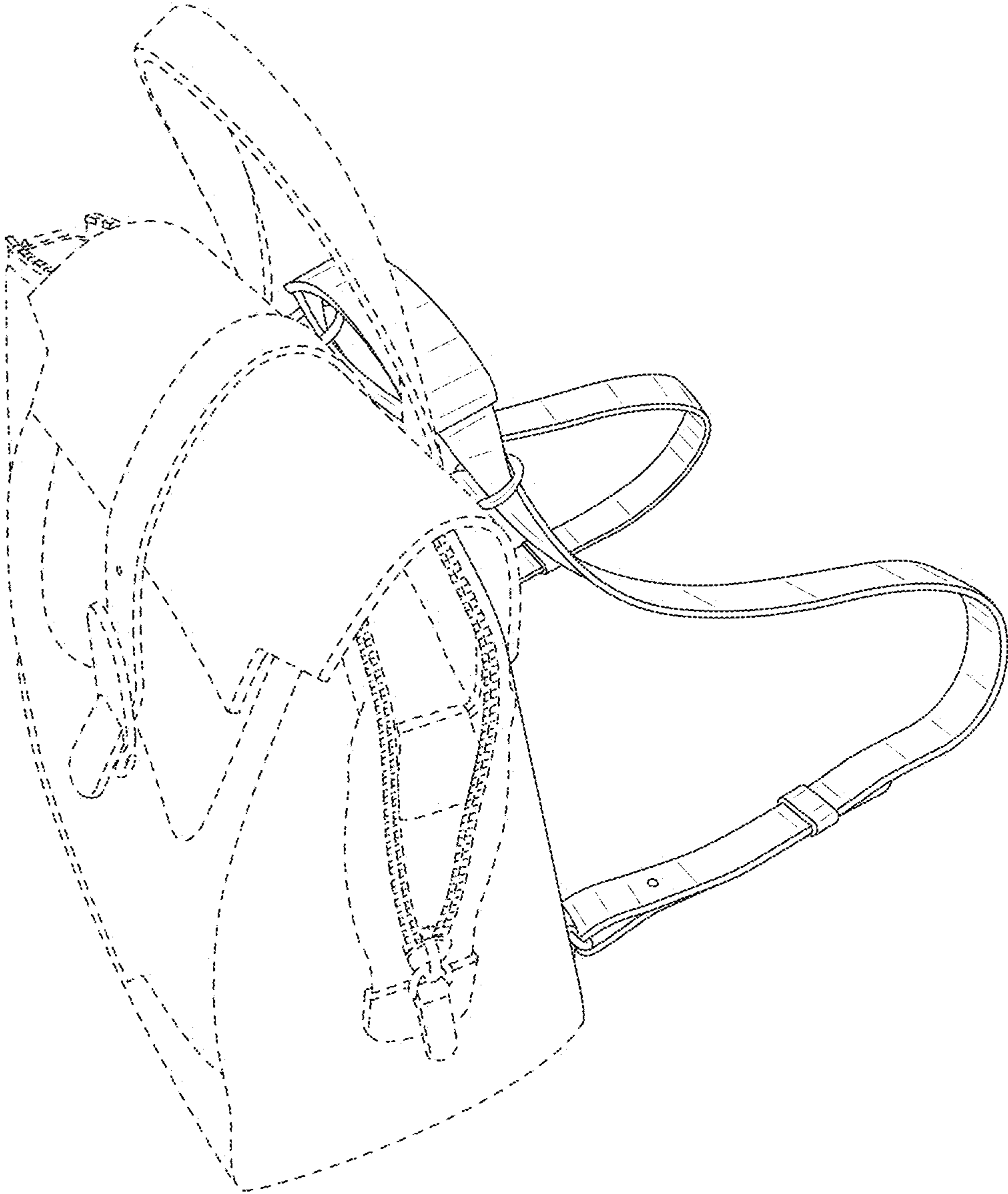
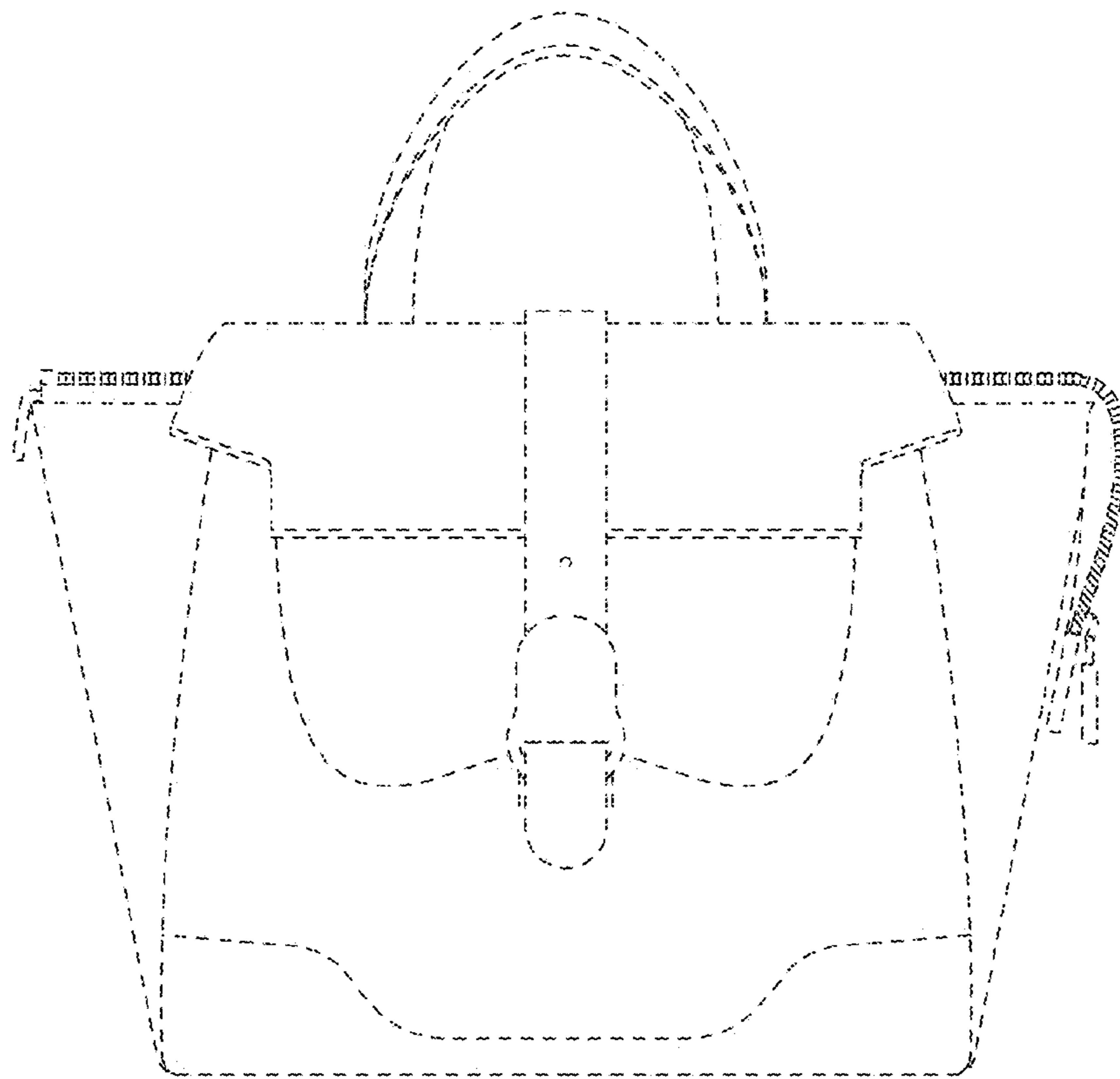


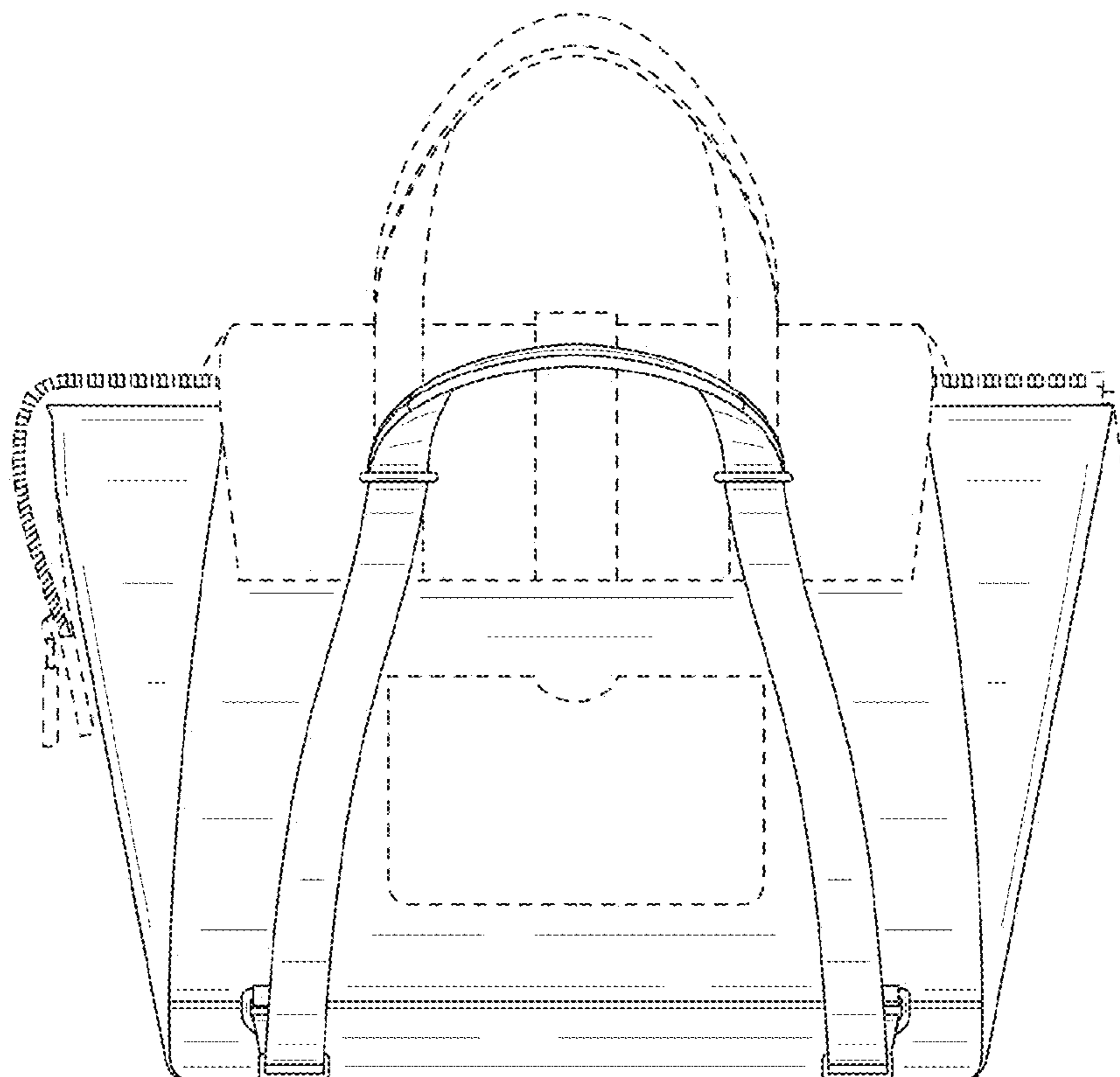
FIG. 1



**FIG. 2**



**FIG. 3**



**FIG. 4**

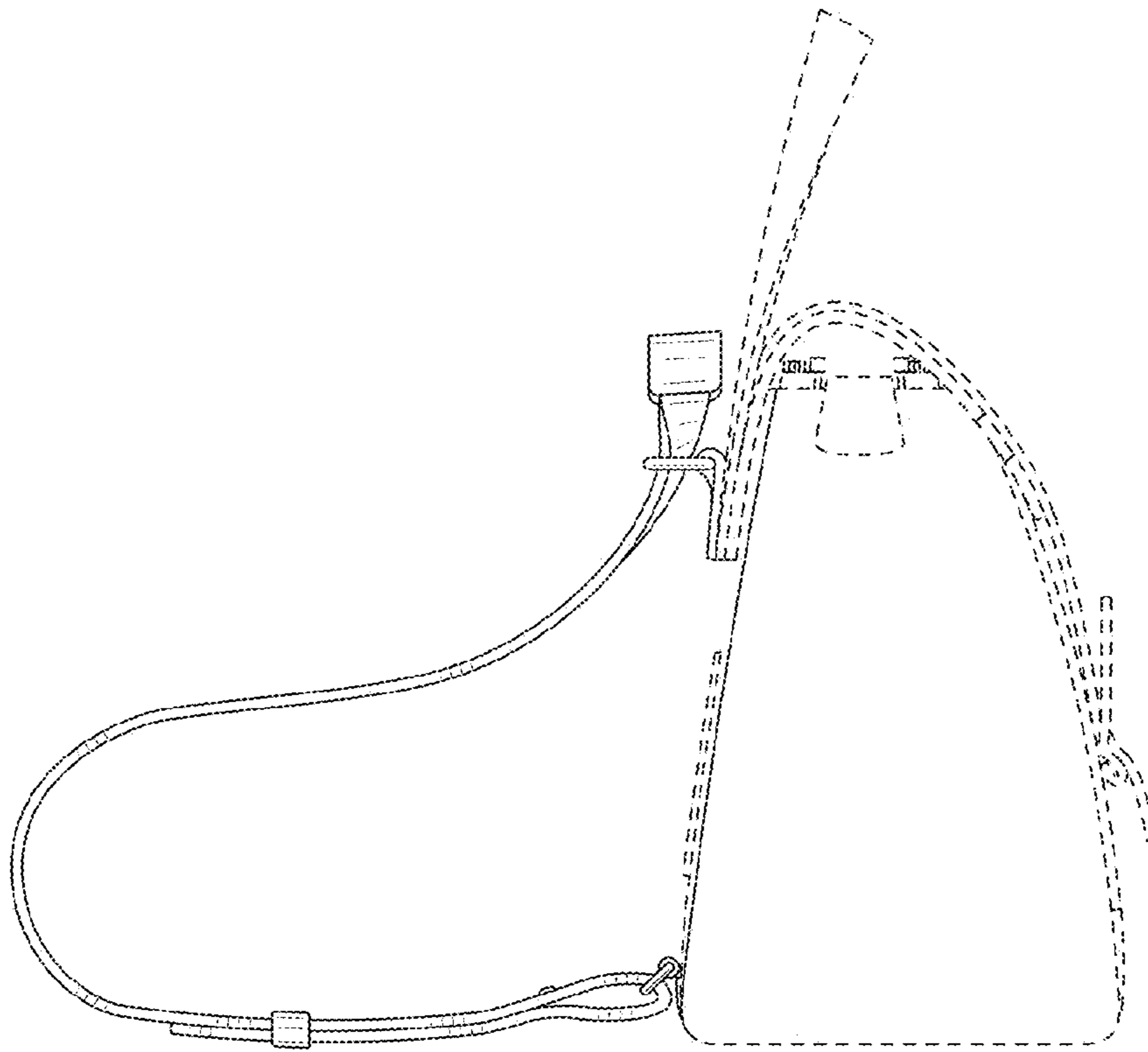


FIG. 5

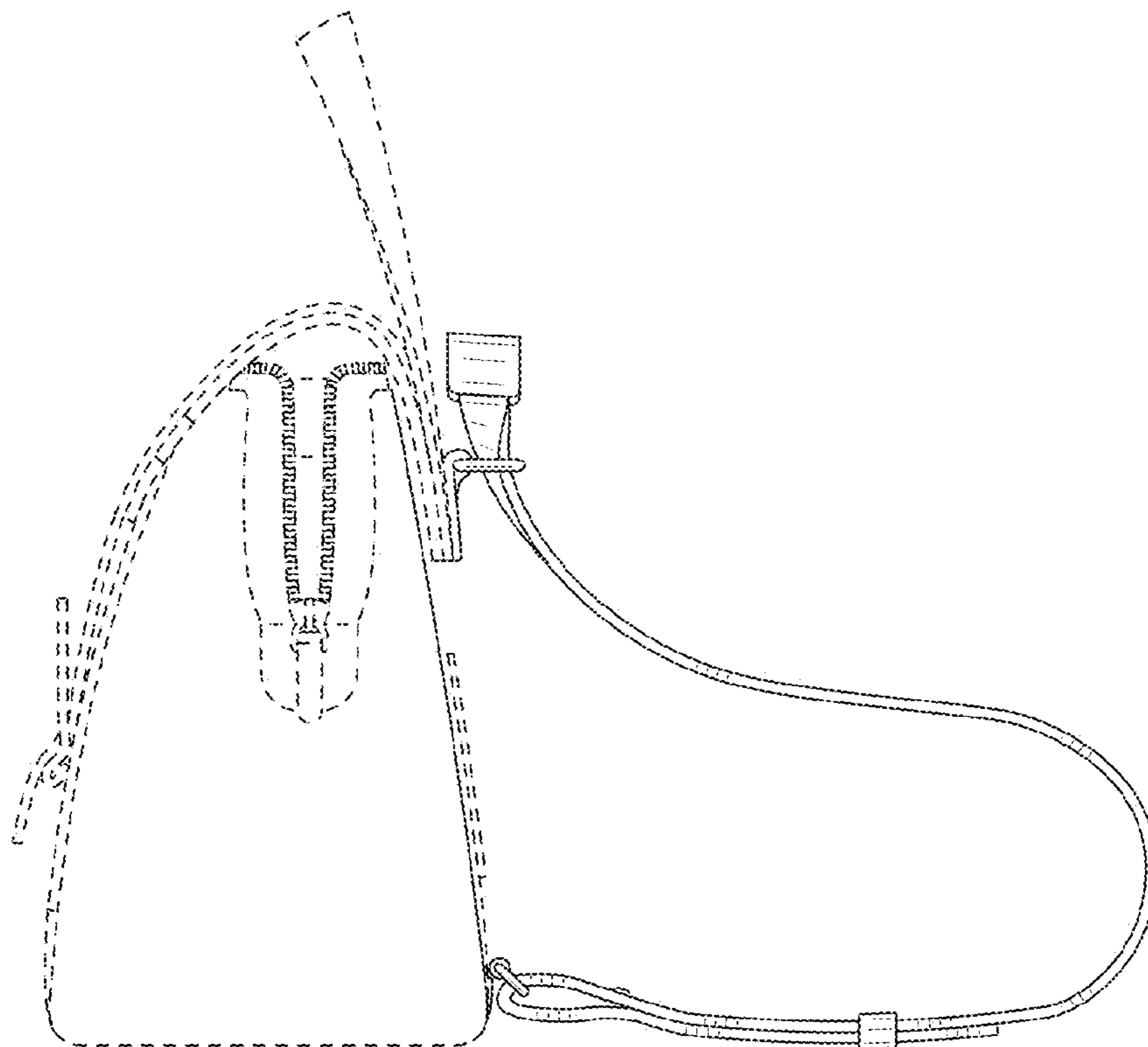
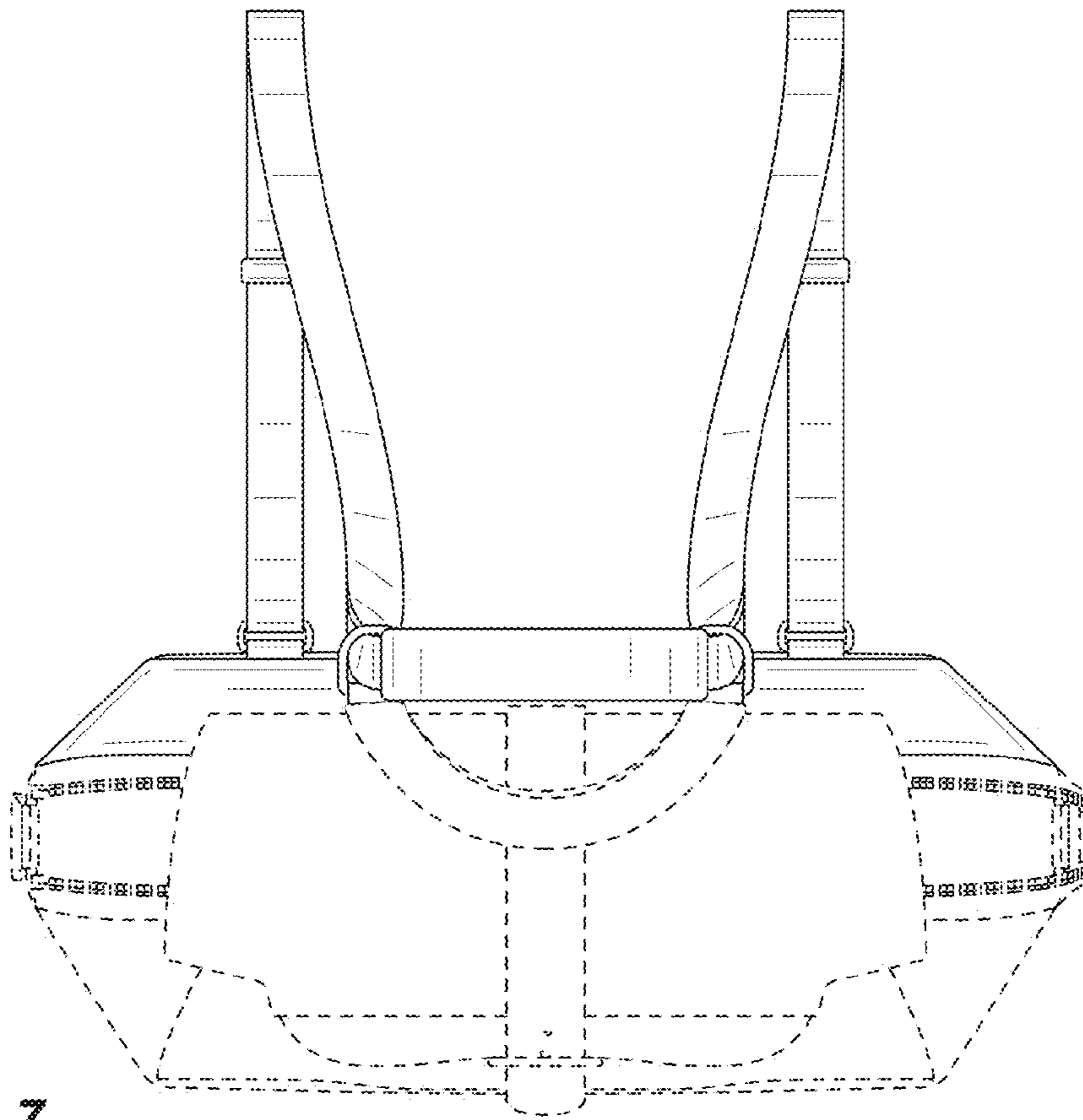
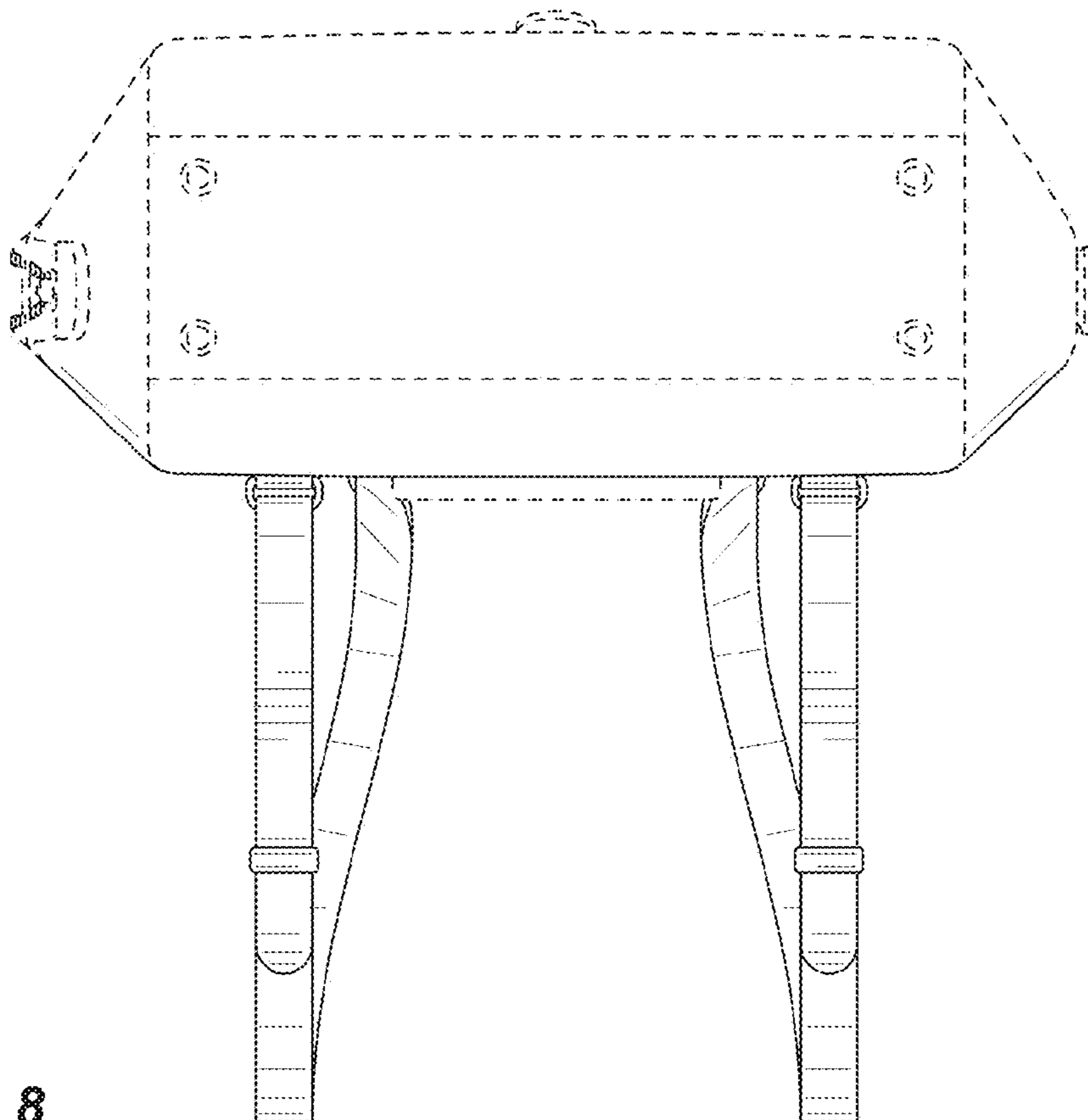


FIG. 6



**FIG. 7**



**FIG. 8**

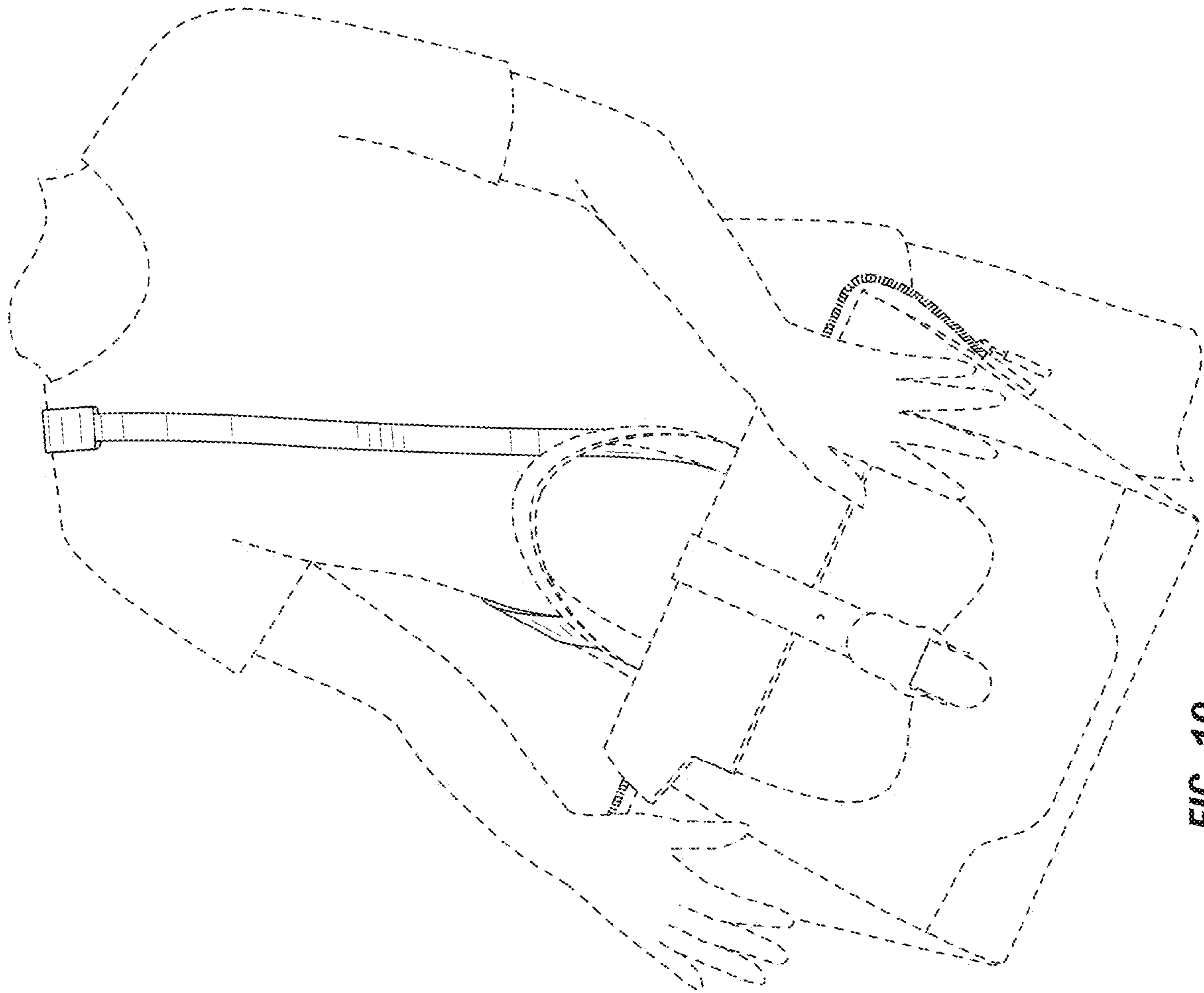


FIG. 10

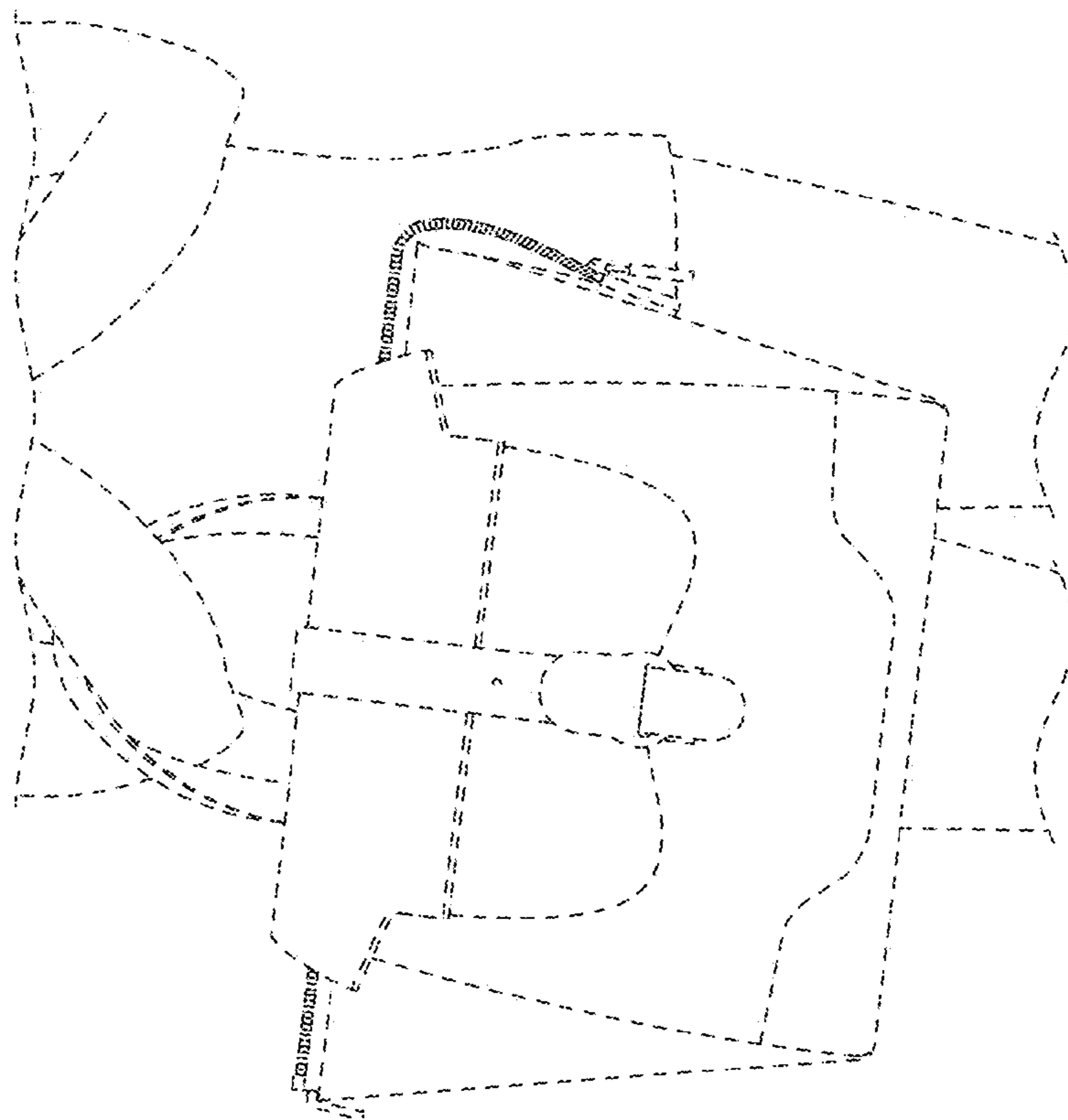


FIG. 9



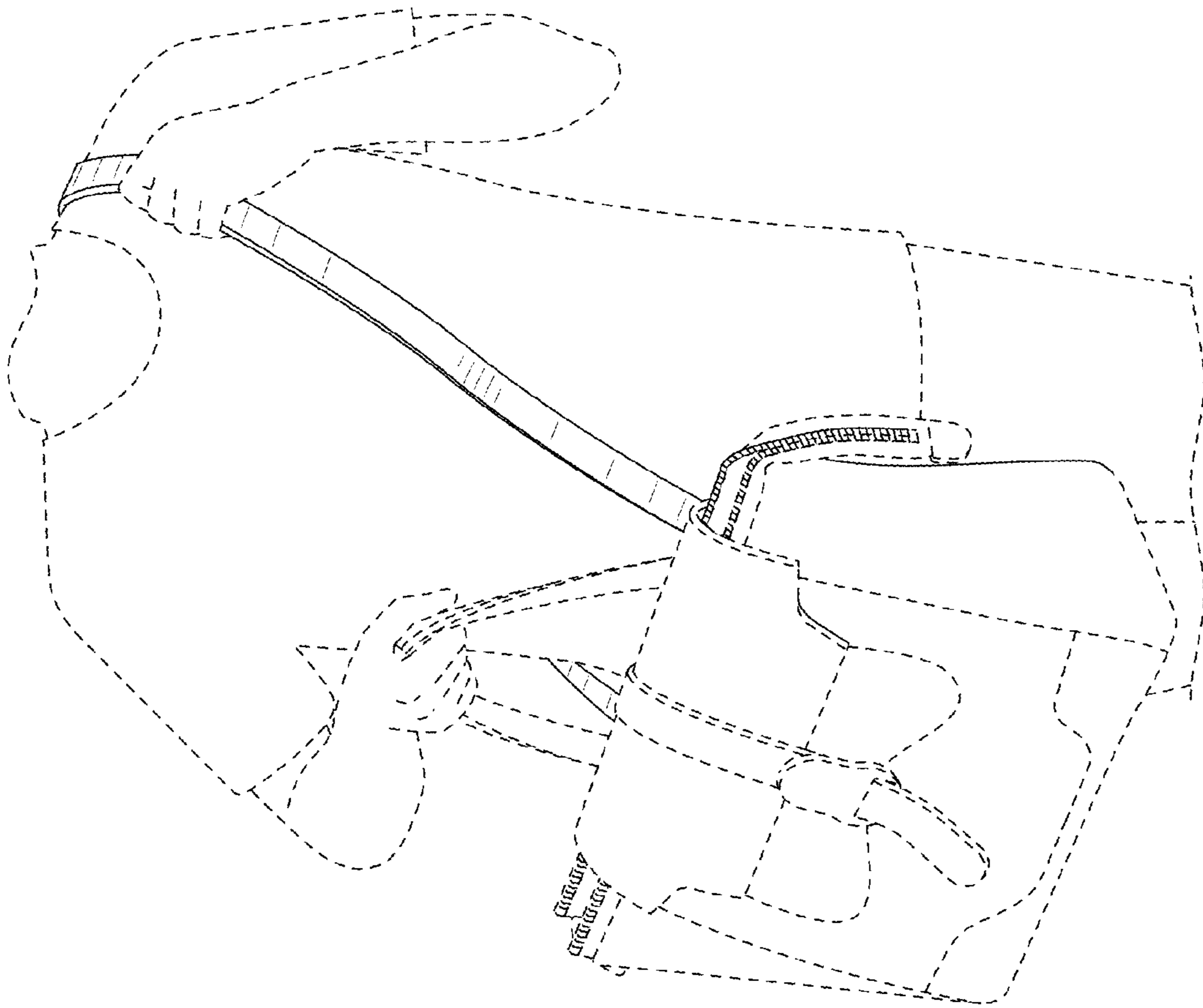


FIG. 12

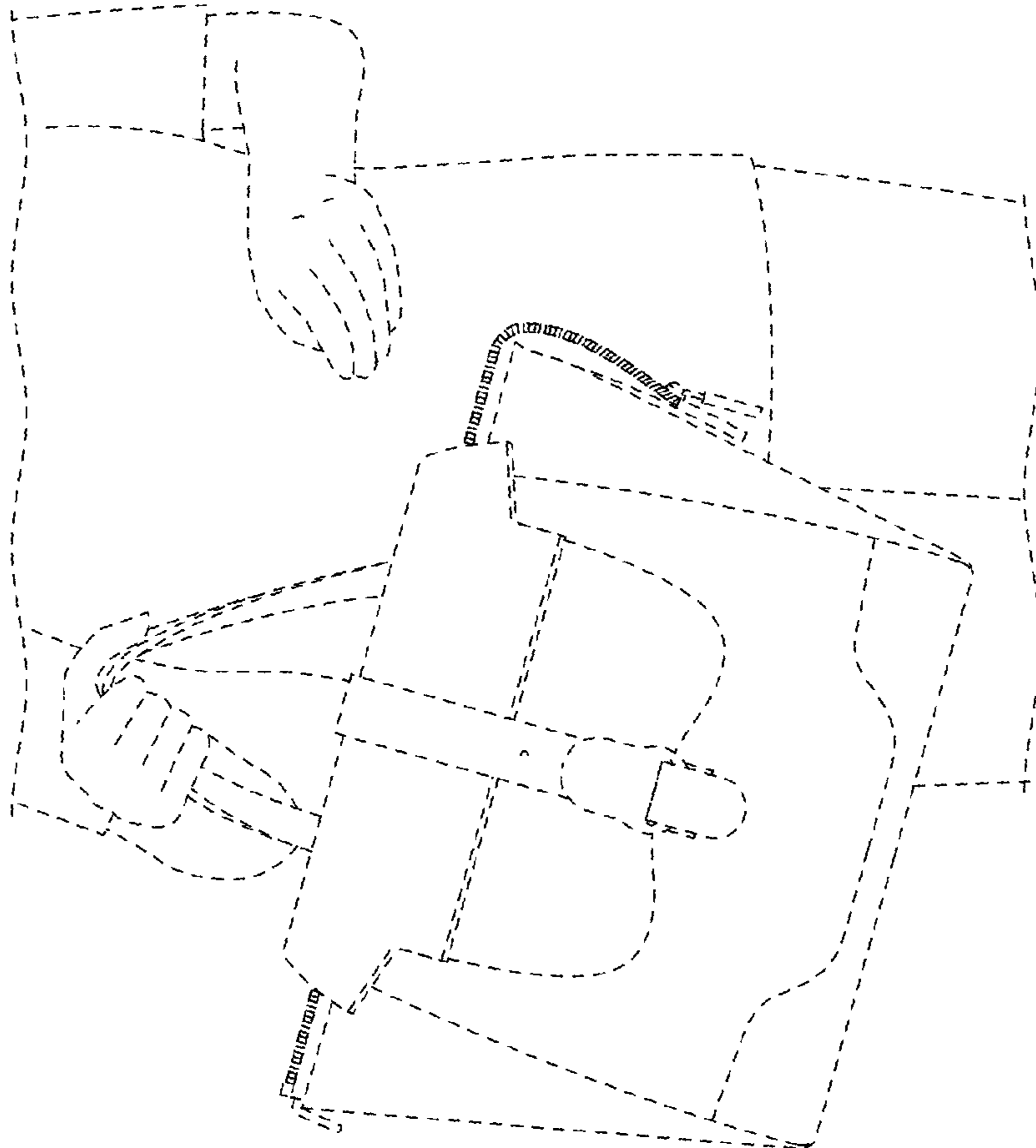


FIG. 11

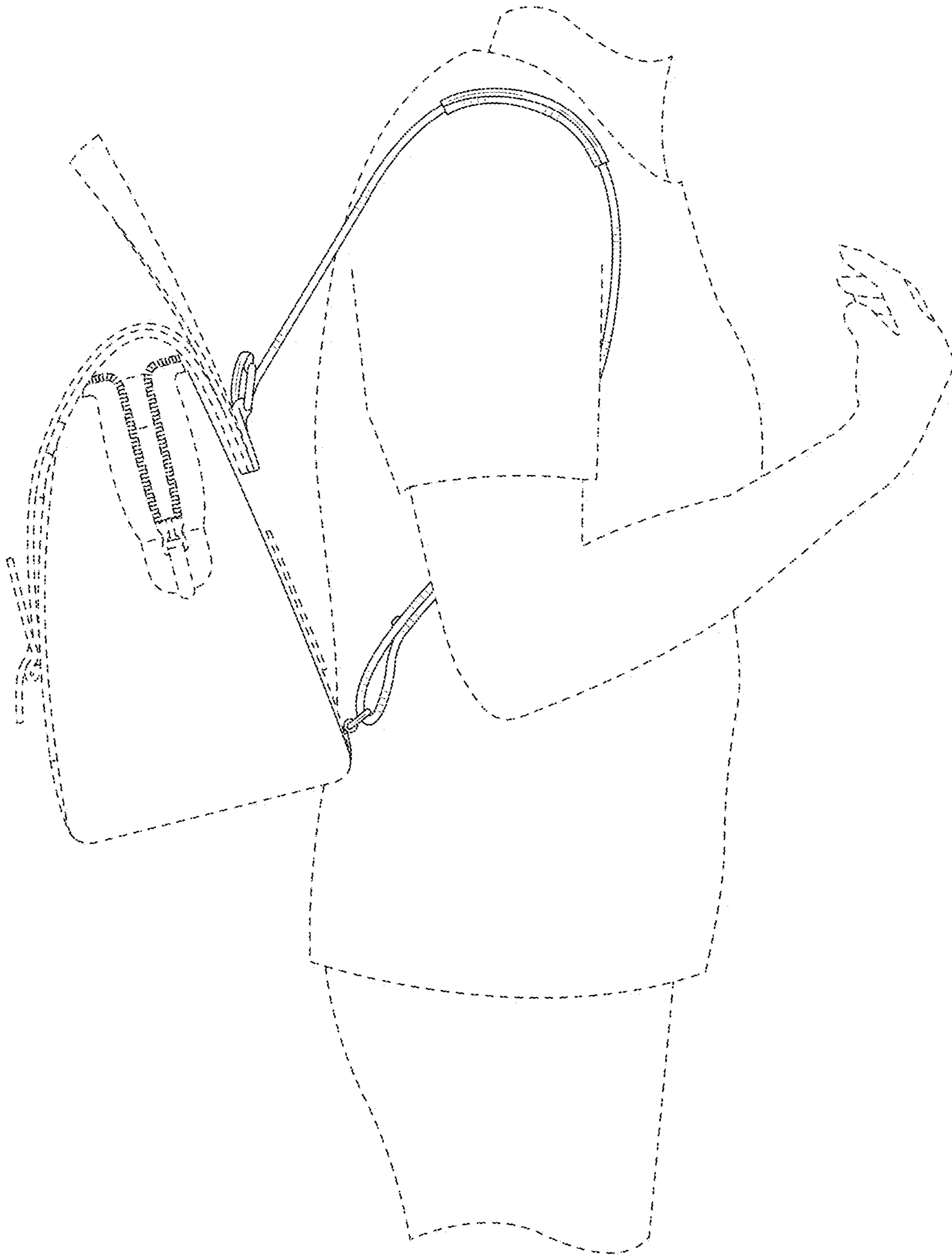


FIG. 13