

US00D902597S

(12) **United States Design Patent**
Amat

(10) **Patent No.:** **US D902,597 S**

(45) **Date of Patent:** **** Nov. 24, 2020**

(54) **FASHION ORNAMENT FOR A HANDBAG**

(71) Applicant: **J. Choo Limited**, London (GB)

(72) Inventor: **Lina Amat**, London (GB)

(73) Assignee: **J. Choo Limited**, London (GB)

(**) Term: **15 Years**

(21) Appl. No.: **29/706,740**

(22) Filed: **Sep. 23, 2019**

(30) **Foreign Application Priority Data**

Apr. 10, 2019 (EM) 006374807-0008

(51) **LOC (12) Cl.** **03-01**

(52) **U.S. Cl.**
USPC **D3/322; D3/318**

(58) **Field of Classification Search**
USPC D3/232-233, 246, 318, 322; D1/40, 43
CPC .. A45C 1/024; A45C 3/06; A45C 3/08; A45C
13/08; A45C 13/02; A45C 13/28
See application file for complete search history.

(56) **References Cited**

U.S. PATENT DOCUMENTS

D530,076 S 10/2006 Choi
D532,596 S 11/2006 Choi

D580,648 S 11/2008 Choi
D780,443 S * 3/2017 Blahnik D3/240
D780,444 S * 3/2017 Blahnik D3/240
D780,445 S * 3/2017 Blahnik D3/240
D781,053 S * 3/2017 Blahnik D3/240
D858,341 S * 9/2019 Chen D11/40

* cited by examiner

Primary Examiner — Holly H Baynham

(74) *Attorney, Agent, or Firm* — Fross Zelnick Lehrman
& Zissu, P.C.; Lawrence E. Apolzon, Esq.

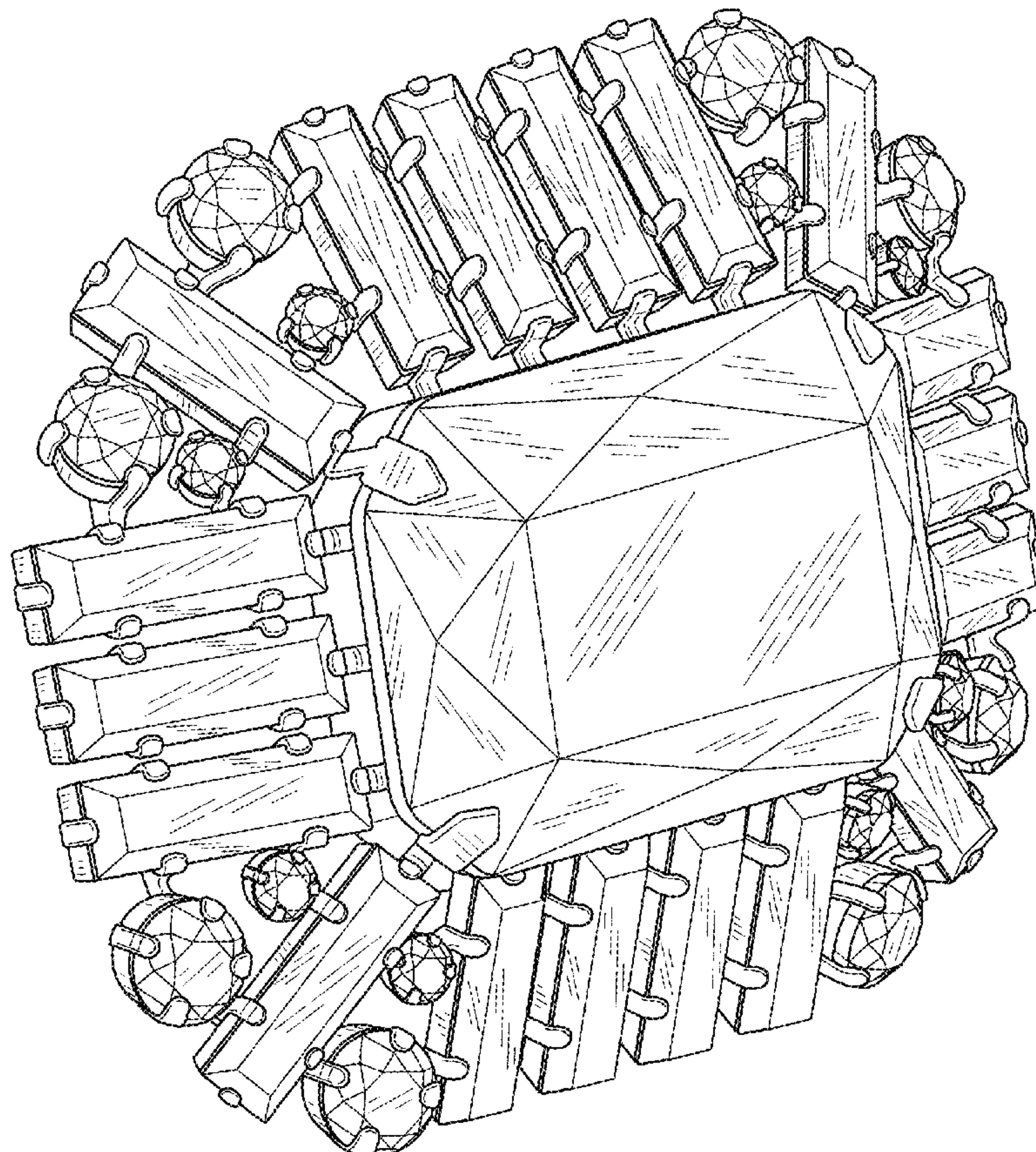
(57) **CLAIM**

The ornamental design for a fashion ornament for a hand-
bag, as shown and described.

DESCRIPTION

FIG. 1 is a front perspective view of a fashion ornament for a handbag showing my new design; FIG. 2 is a front view thereof; FIG. 3 is a right side view thereof; FIG. 4 is a left side view thereof; FIG. 5 is a top view thereof; FIG. 6 is a bottom view thereof; and, FIG. 7 is a front view of the fashion ornament shown in FIG. 1, shown in the environment of a handbag. The broken line showing of portions in the drawings depicts unclaimed subject matter. No claim is made to the back of the design.

1 Claim, 5 Drawing Sheets



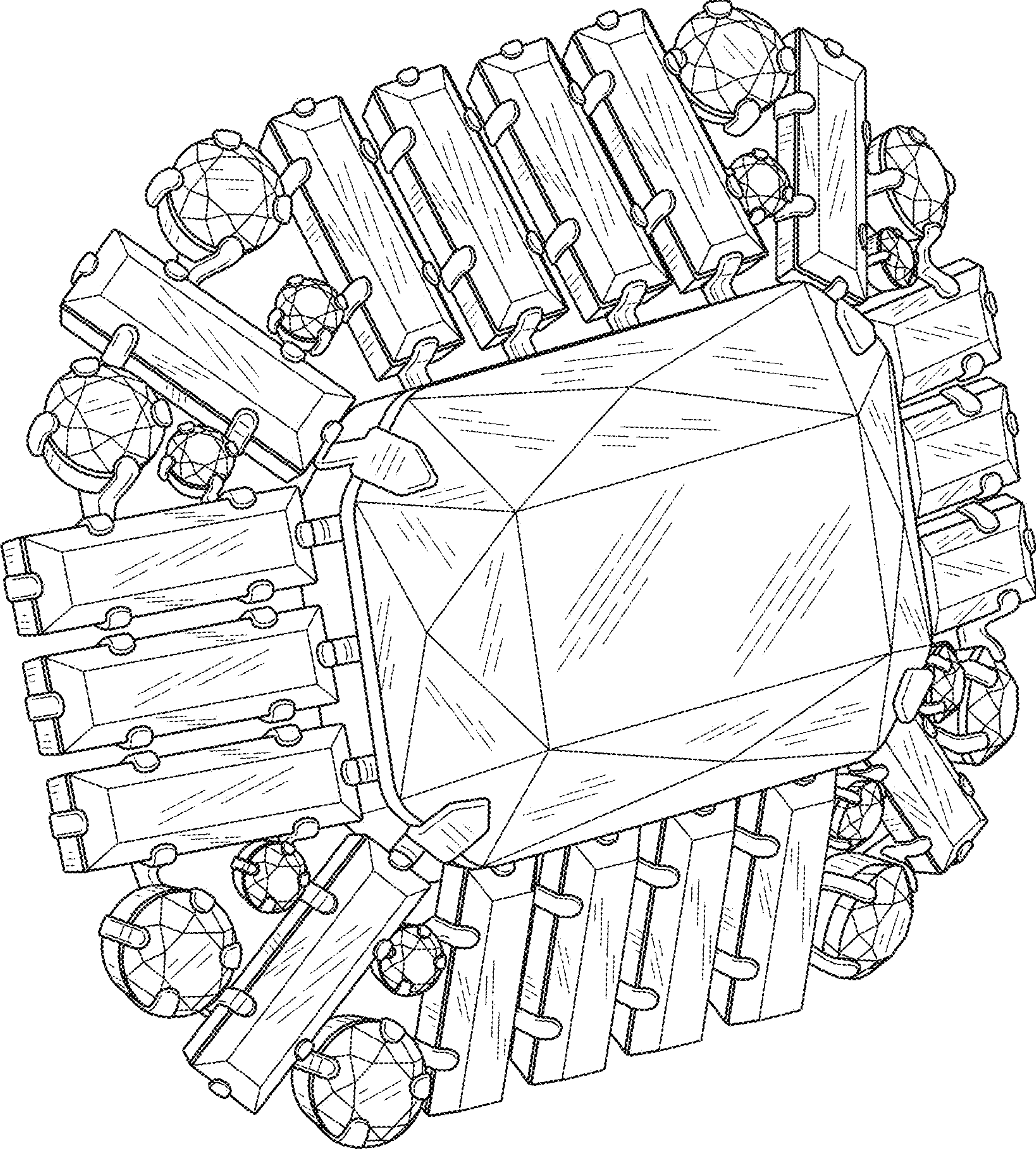


FIG. 1

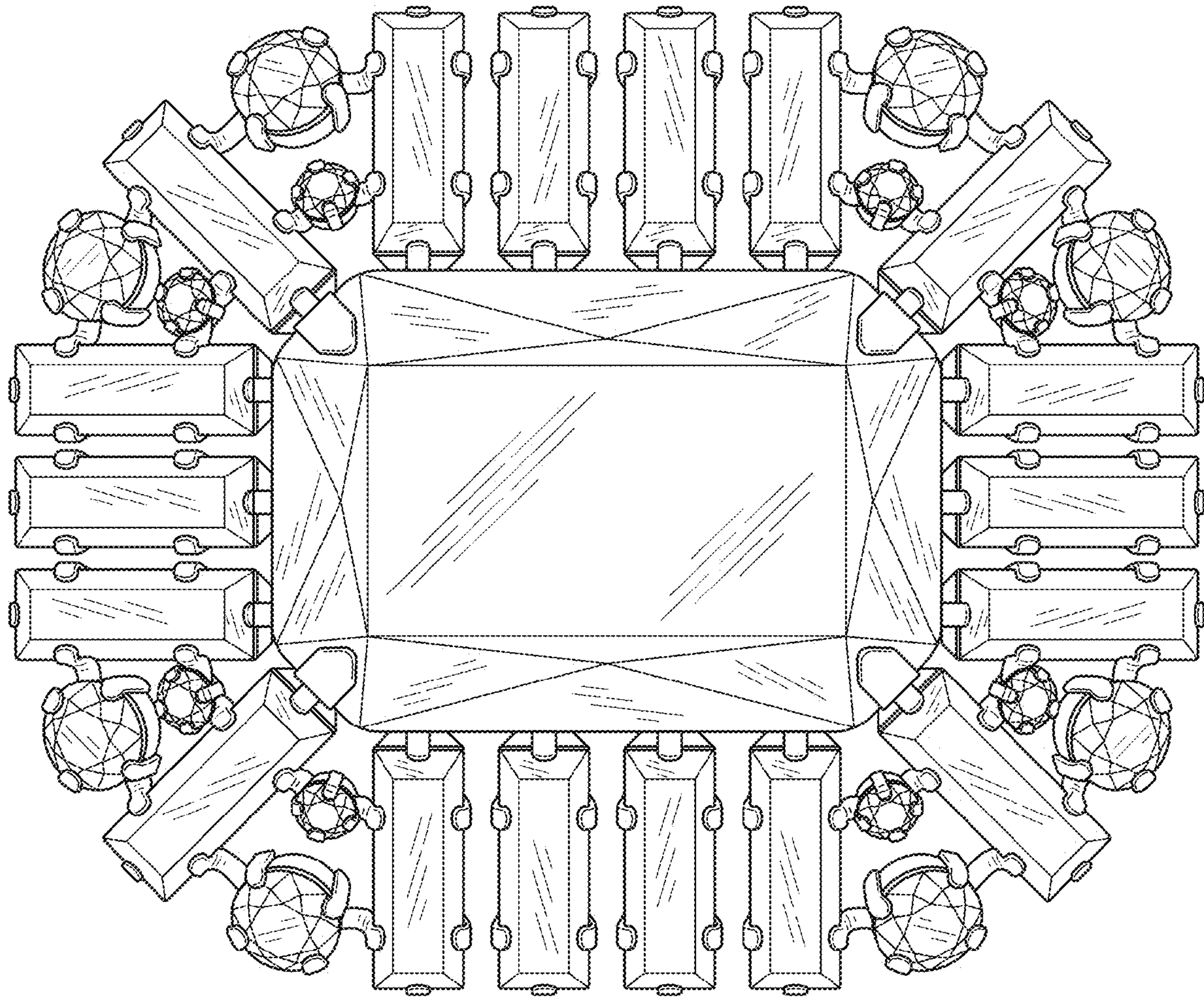


FIG. 2

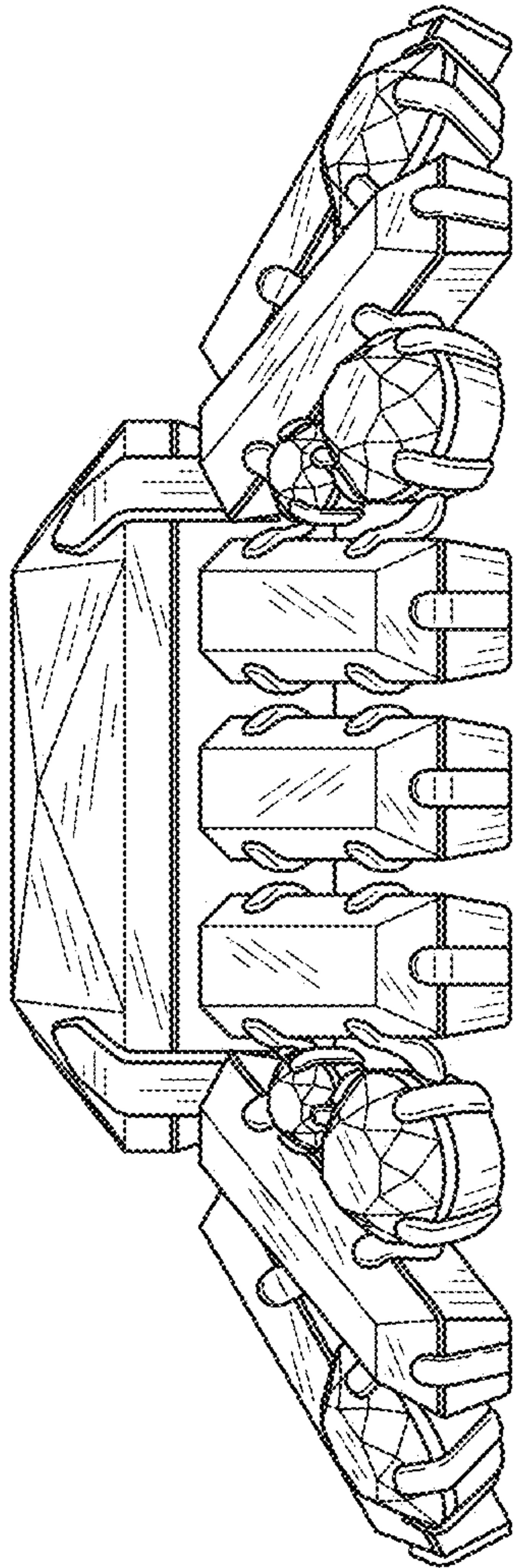


FIG. 3

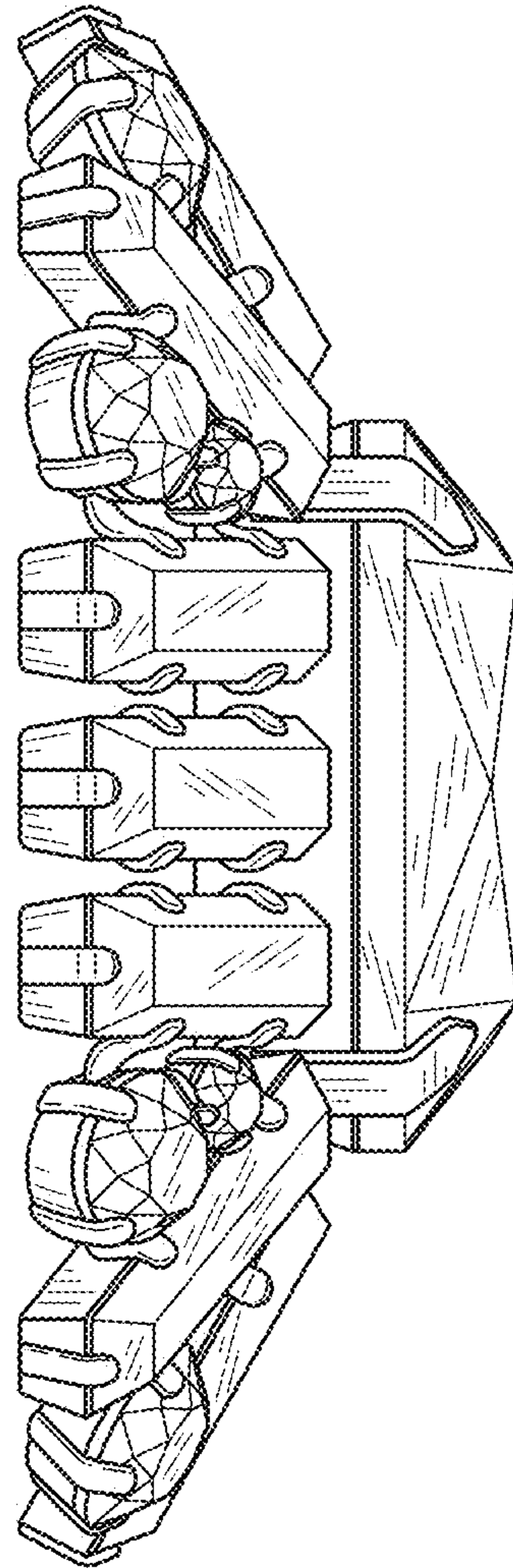


FIG. 4

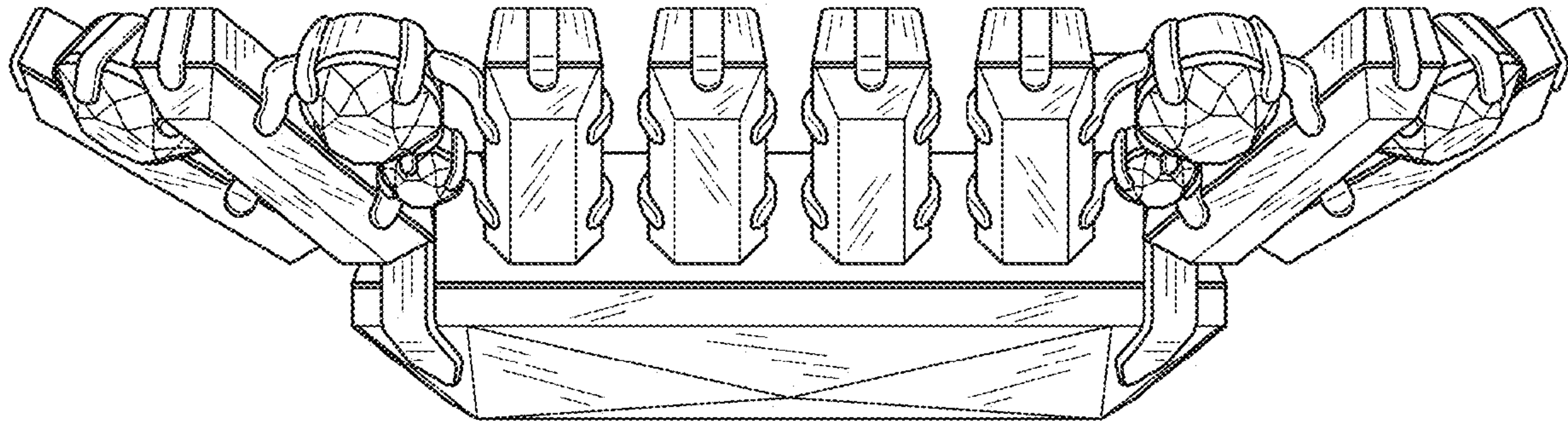


FIG. 5

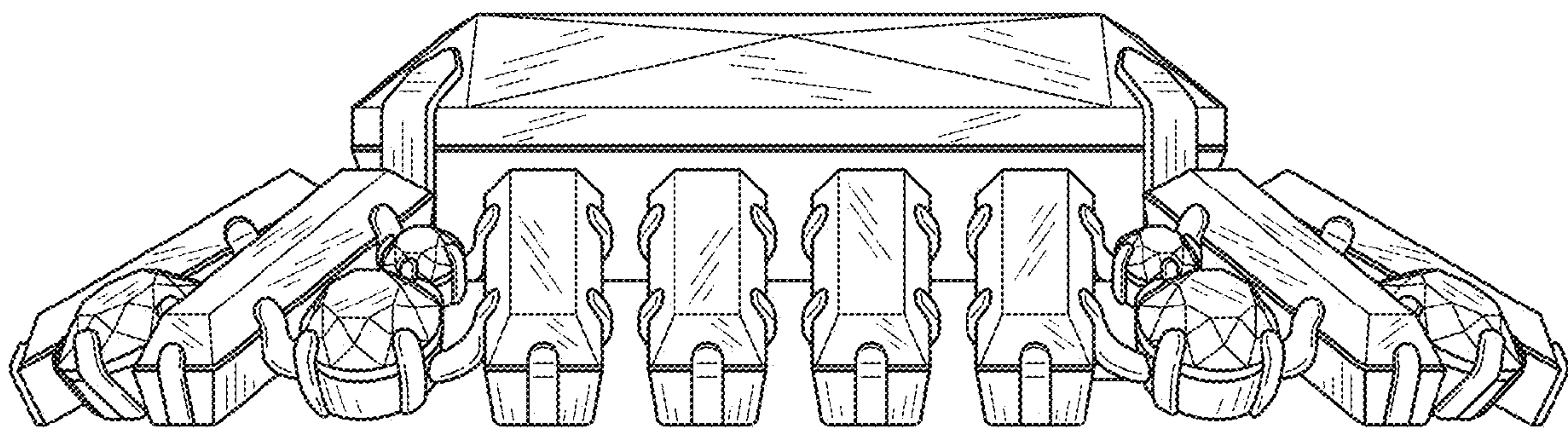


FIG. 6



FIG. 7