



US00D902594S

(12) **United States Design Patent** (10) **Patent No.:** **US D902,594 S**
Kraemer (45) **Date of Patent:** **** *Nov. 24, 2020**

- (54) **BIN**
- (71) Applicant: **InterDesign, Inc.**, Solon, OH (US)
- (72) Inventor: **Kevin Francis Kraemer**, Cuyahoga Falls, OH (US)
- (73) Assignee: **InterDesign, Inc.**, Solon, OH (US)
- (*) Notice: This patent is subject to a terminal disclaimer.
- (**) Term: **15 Years**
- (21) Appl. No.: **29/678,010**
- (22) Filed: **Jan. 25, 2019**

Related U.S. Application Data

- (63) Continuation of application No. 29/638,819, filed on Mar. 1, 2018, now Pat. No. Des. 842,606, which is a continuation of application No. 29/546,621, filed on Nov. 24, 2015, now Pat. No. Des. 811,768, which is a continuation of application No. 29/423,096, filed on May 29, 2012, now Pat. No. Des. 746,643.
- (51) **LOC (12) Cl.** **03-01**
- (52) **U.S. Cl.**
USPC **D3/310; D3/307**
- (58) **Field of Classification Search**
USPC D3/200–201, 203.1, 203.3, 205–206, D3/303–315; D32/37; D9/643–647, 703, D9/425–426, 432; D19/75, 77, 86, 90, D19/92, 100; 206/503–507, 510, 512, 206/564, 822; 220/607, 643, 659, 676, 220/657; 229/100, 406, 913–914
CPC B65D 81/3813; B65D 21/00
See application file for complete search history.

(56) **References Cited**

U.S. PATENT DOCUMENTS

- 3,813,256 A * 5/1974 Feinberg A47J 36/022
427/236
- D231,771 S 6/1974 Gary

- D419,302 S 1/2000 Hardy
 - D425,562 S 5/2000 Conley
 - D487,347 S 3/2004 Felsenthal
 - D509,655 S * 9/2005 Barnes D3/260
 - D530,918 S * 10/2006 Snell D3/304
 - D542,033 S 5/2007 Kopenhaver
 - D745,809 S * 12/2015 Rowley D7/605
 - D770,771 S 11/2016 Lisso
 - D772,575 S * 11/2016 Stelmarski D3/304
- (Continued)

OTHER PUBLICATIONS

Ideasign website, Bath Medium Bins 10"x4"x6", Aug. 13, 2020, <https://www.ideasignlivesinnply.com/product/bath-medium-bins-10-x-4-x-6/> (Year: 2020).*

(Continued)

Primary Examiner — Nathan M Johnston

(74) *Attorney, Agent, or Firm* — Calfee, Halter & Griswold LLP

(57) **CLAIM**

I claim the ornamental design for a bin, as shown and described.

DESCRIPTION

FIG. 1 is a front/right/top perspective view of a bin (a front/left/top perspective view would be a mirror image thereof);

FIG. 2 is a rear/left/bottom perspective view thereof (a rear/right/bottom perspective view would be a mirror image thereof);

FIG. 3 is a front elevational view thereof;

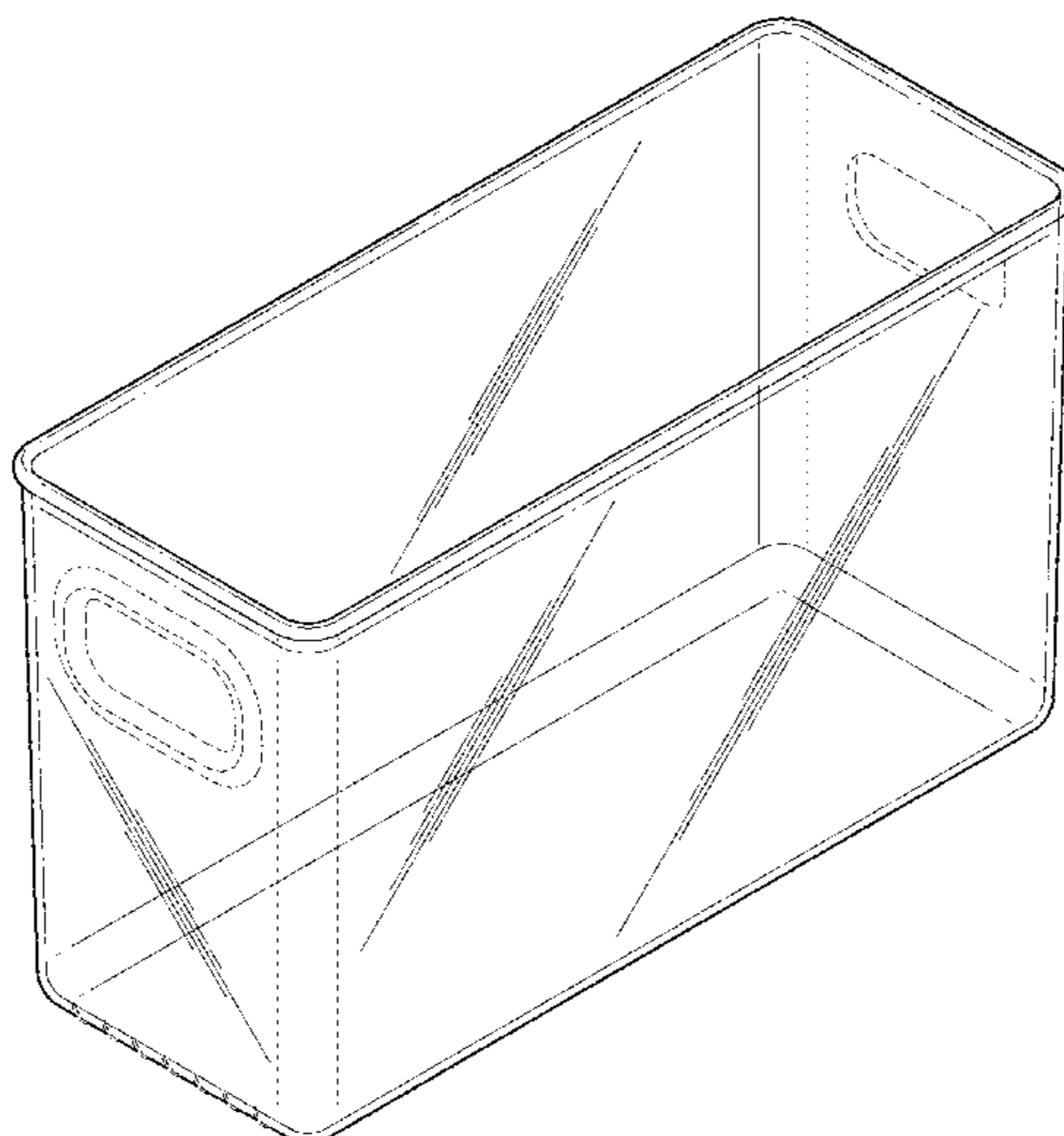
FIG. 4 is a right side elevational view thereof;

FIG. 5 is a top plan view thereof; and,

FIG. 6 is a bottom plan view thereof.

The broken lines depict portions that form no part of the claimed design.

1 Claim, 4 Drawing Sheets



(56)

References Cited

U.S. PATENT DOCUMENTS

D780,264 S	2/2017	Greenspon	
D809,797 S *	2/2018	Kraemer	D3/307
D842,606 S *	3/2019	Kraemer	D3/307
D862,994 S *	10/2019	Kraemer	D7/629
D863,485 S	10/2019	VanNatta	
D866,973 S *	11/2019	Snell	D3/314
D873,567 S *	1/2020	Hardy	D3/306
D878,051 S *	3/2020	Kraemer	D3/307
D887,141 S *	6/2020	Mazor	D3/307
D888,429 S *	6/2020	Vega	D3/307
D893,874 S	8/2020	Kraemer	

OTHER PUBLICATIONS

This case is related to U.S. Appl. No. 29/733,178, filed Apr. 30, 2020.

This case is related to U.S. Appl. No. 29/750,598, filed Sep. 15, 2020.

Amazon.com, !Design Plastic Bin, Kitchen Storage Organizer for Refrigerator, Freezer and Pantry, 8" x8" x6" BPA—Free Medium Clear, <https://www.amazon.com/InterDesign-Refrigerator-Freezer-Storage-Container/dp/B007EEE5HY/> cited by and provided by the USPTO in U.S. Appl. No. 29/733,178.

* cited by examiner

FIG. 1

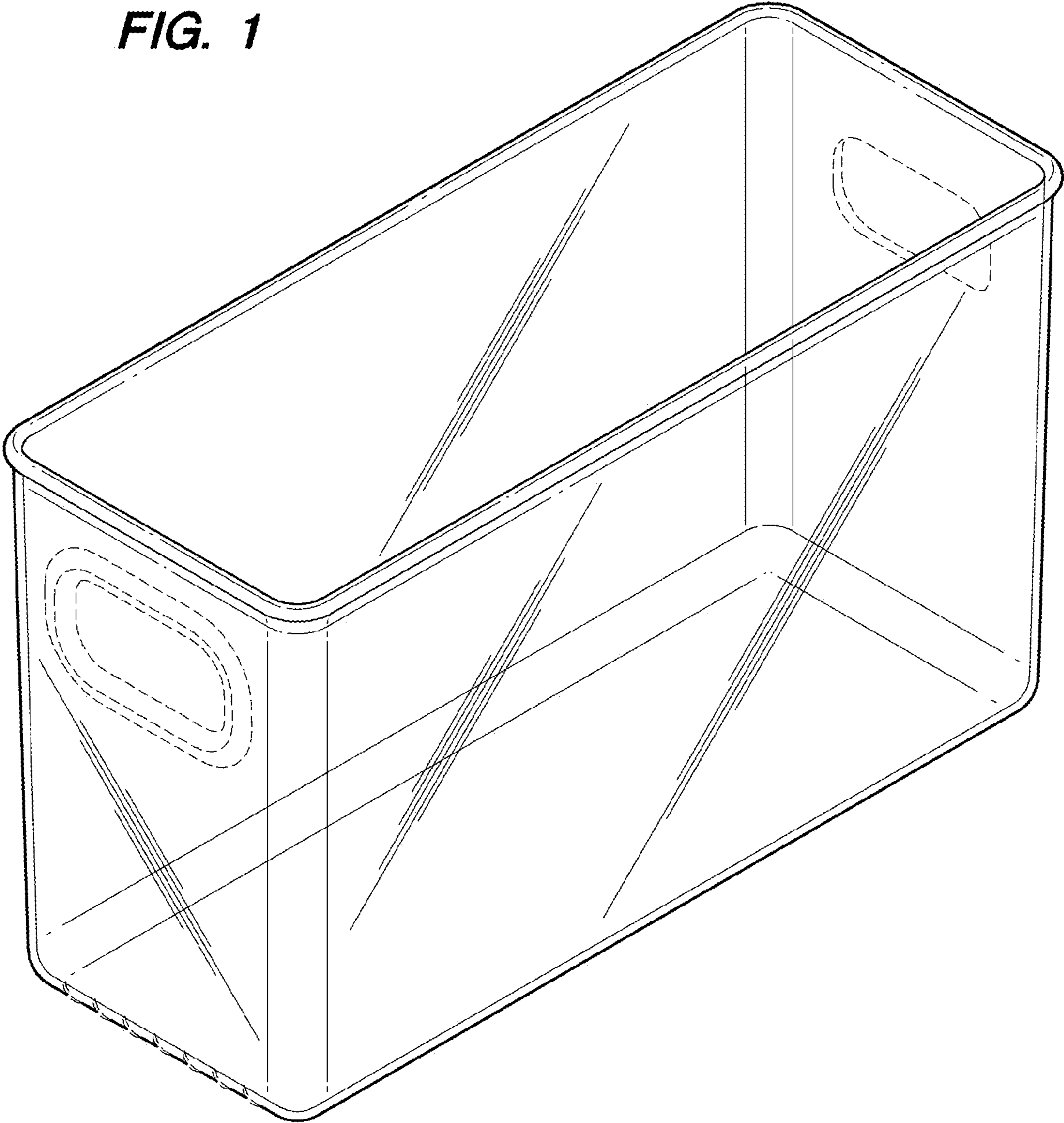


FIG. 2

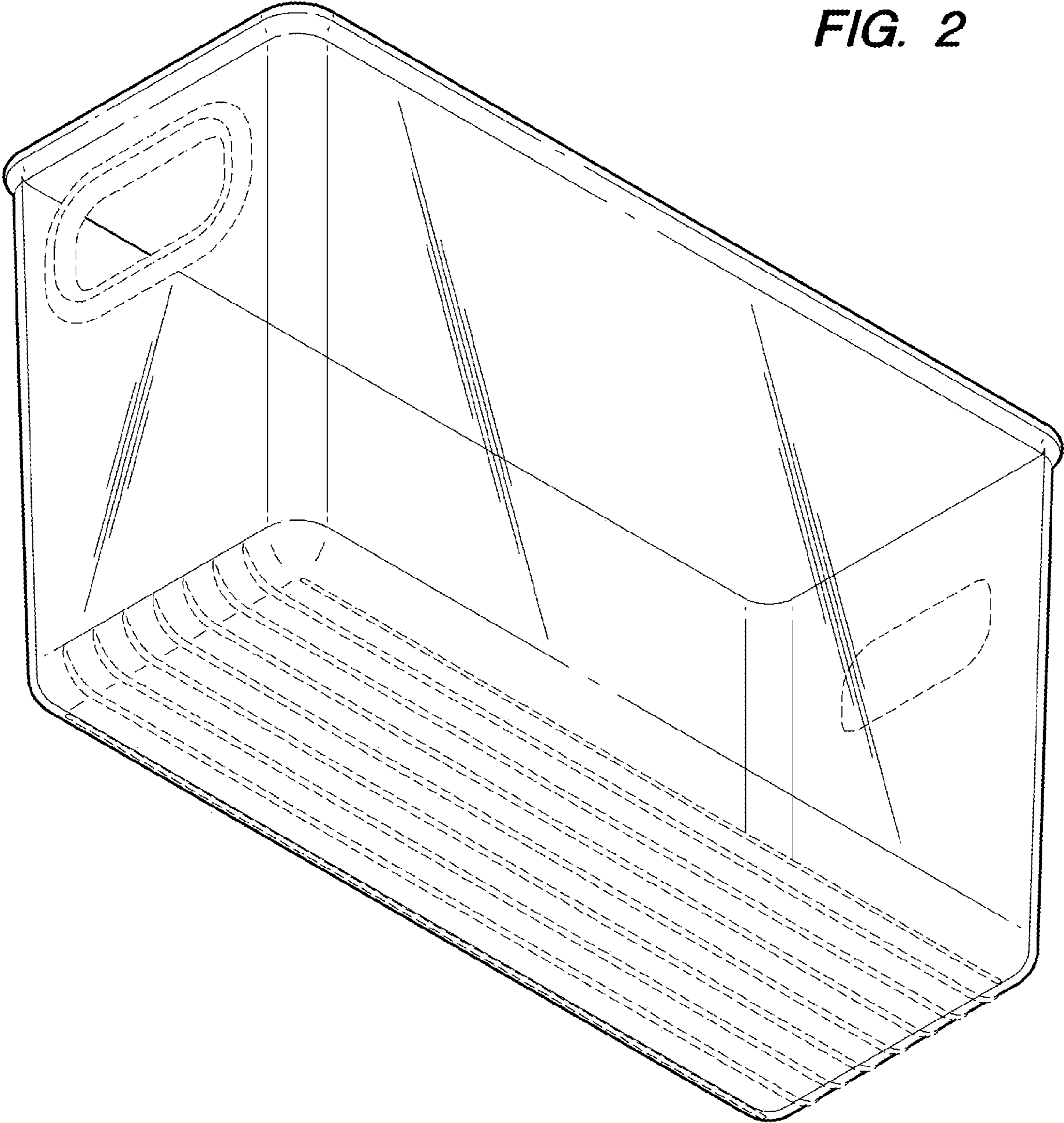


FIG. 3

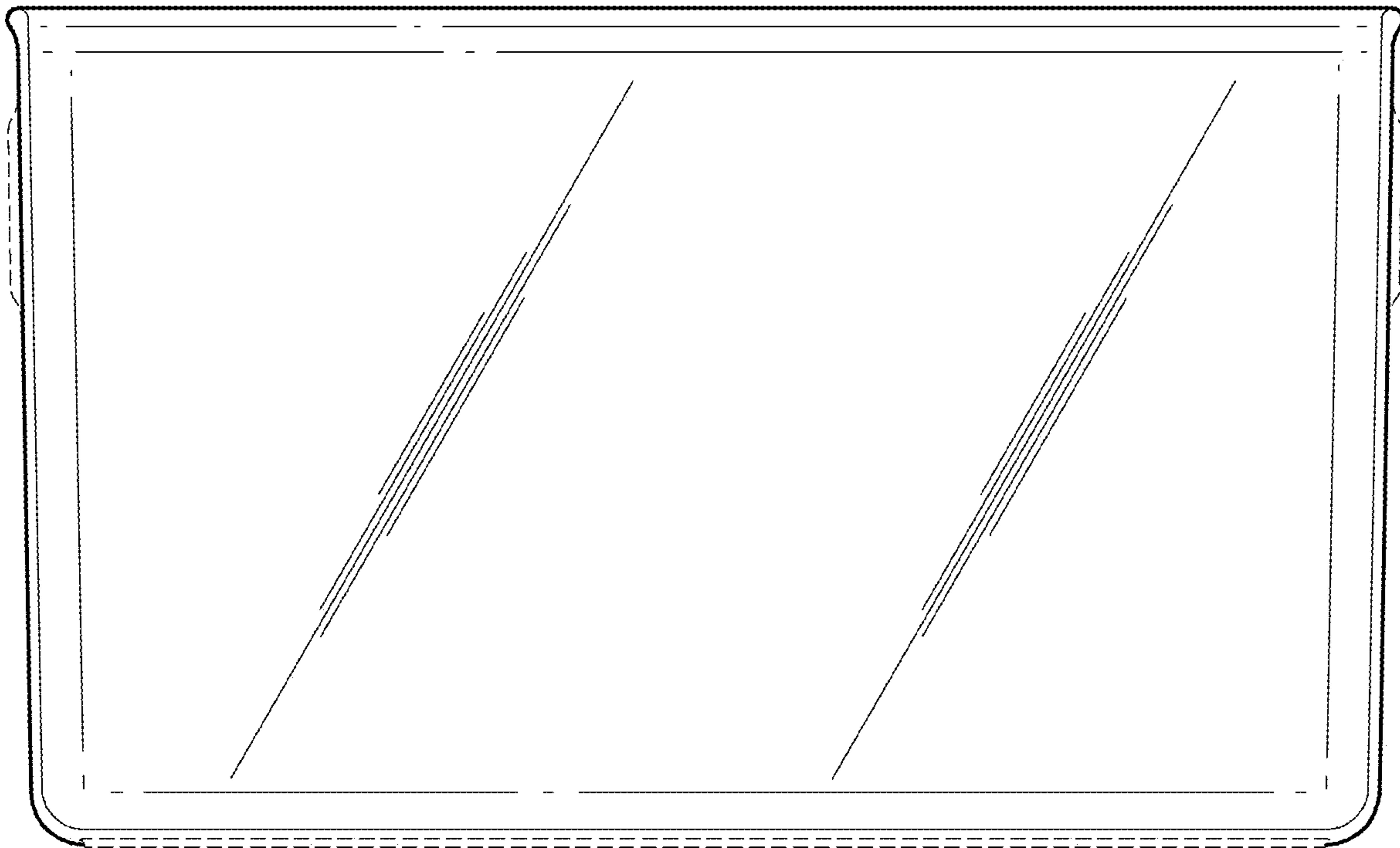
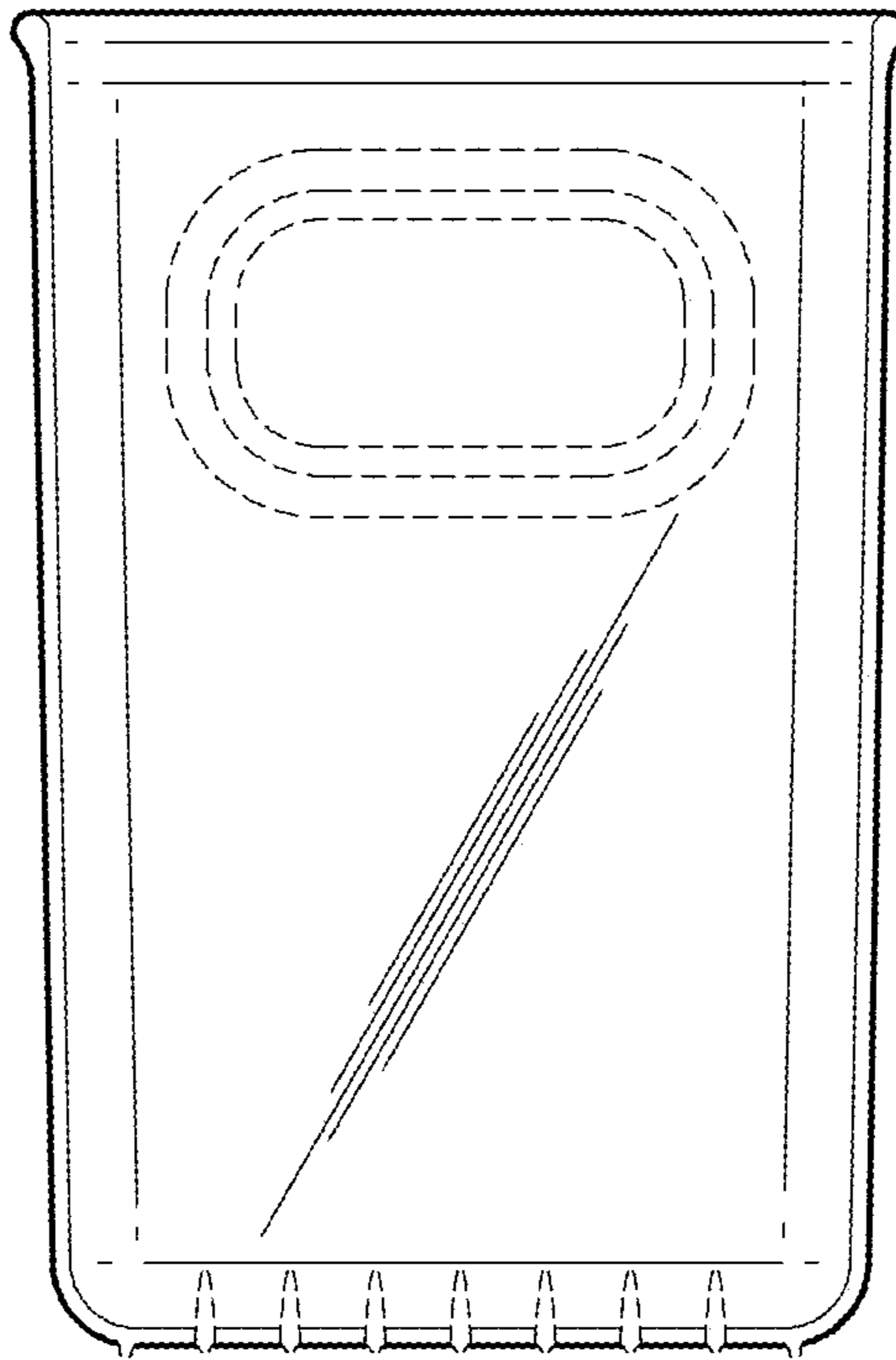


FIG. 4

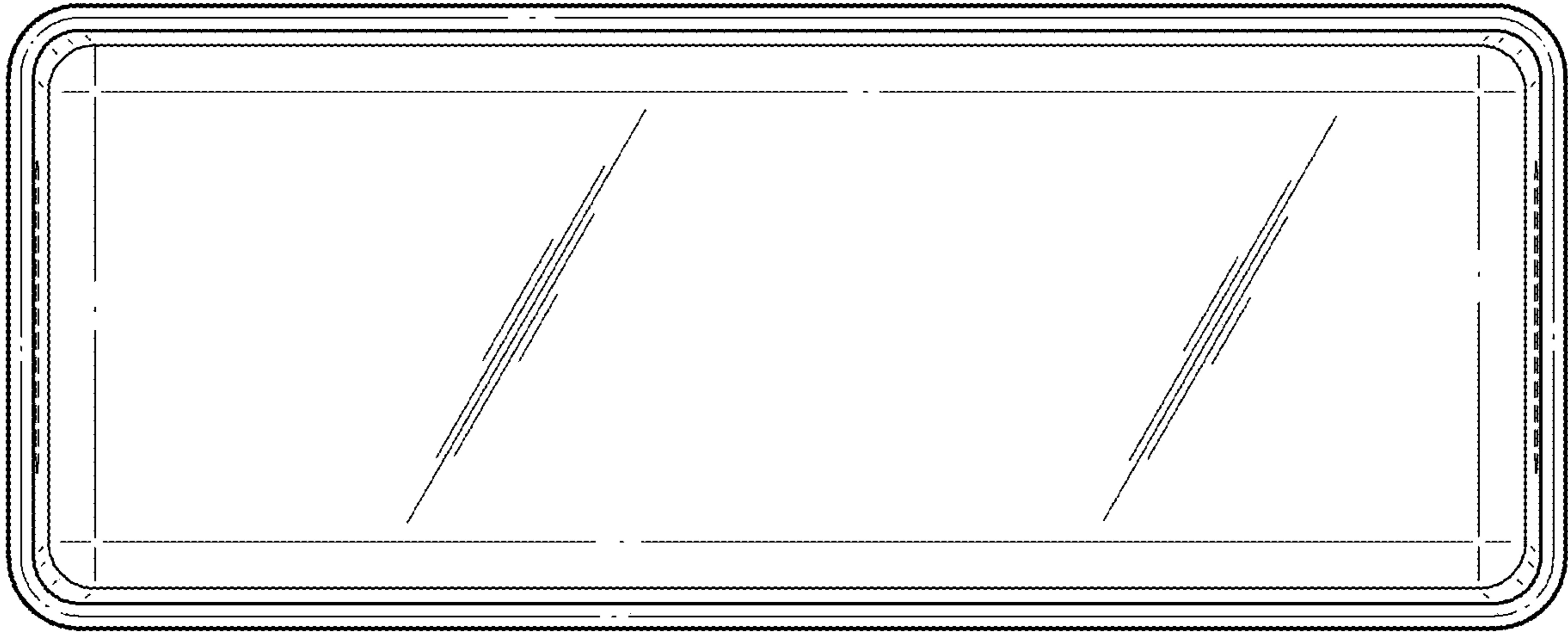


FIG. 5

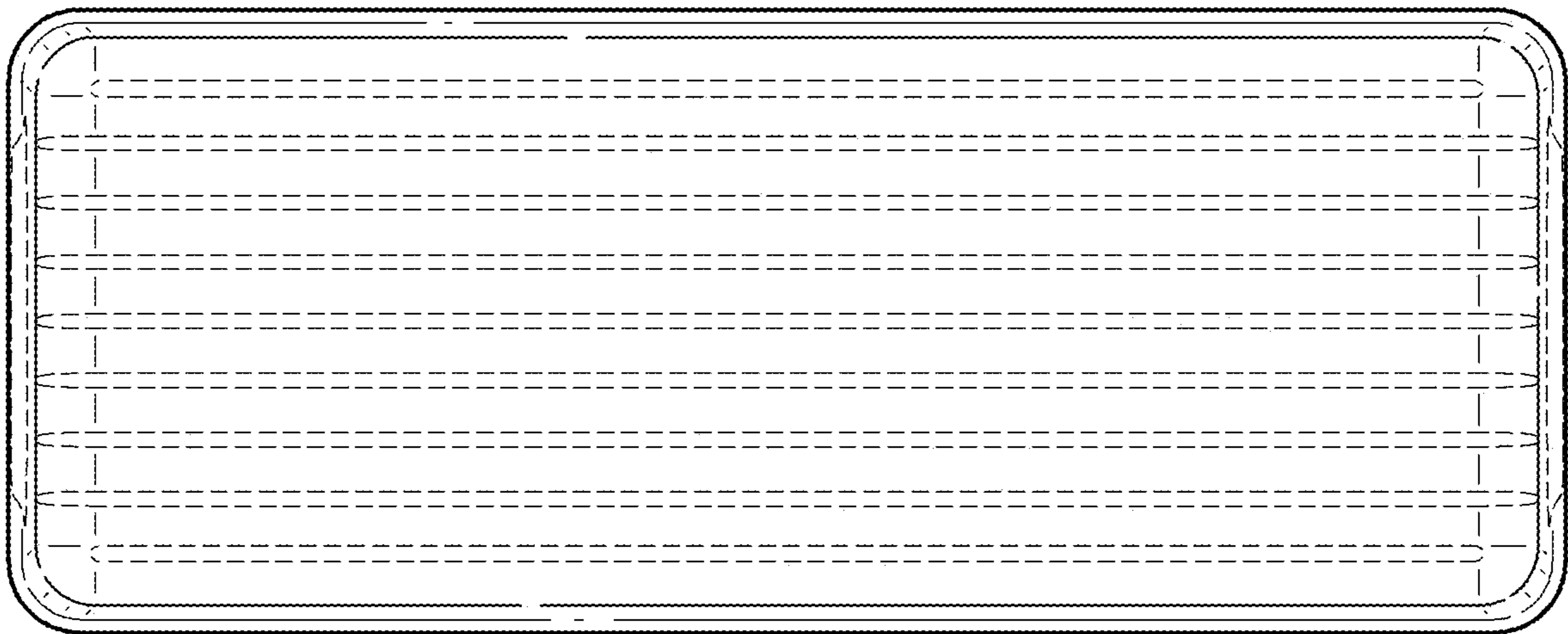


FIG. 6